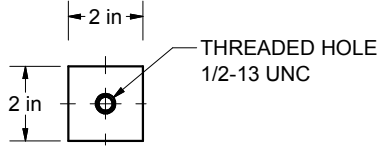


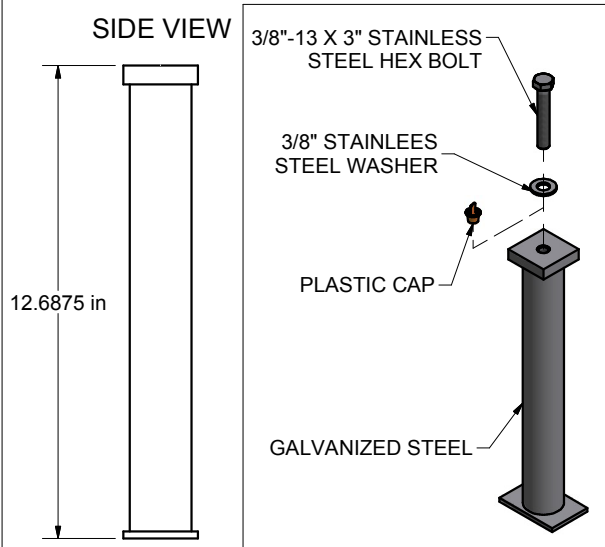
Parts List		
Part #	Qty	Description
UZ212	4	GROUND ANCHOR ASSEMBLY

UZ212 DETAIL

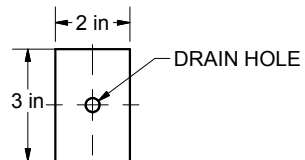
TOP VIEW



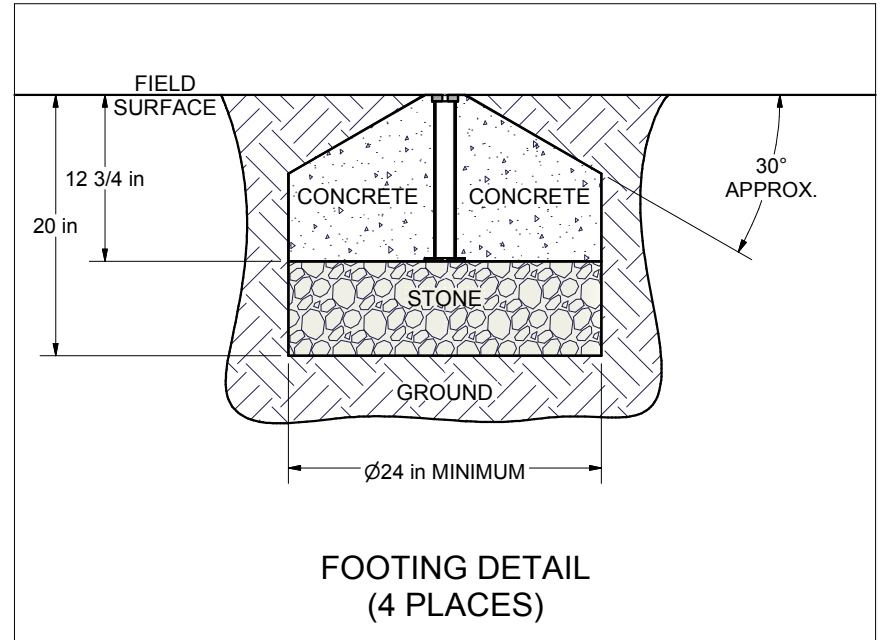
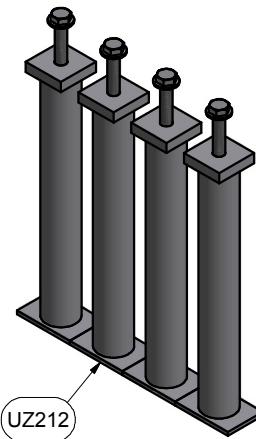
SIDE VIEW



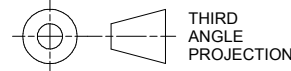
BOTTOM VIEW



10B101 (SET OF 4) SEMI PERMANENT GROUND ANCHORS



Finish Info.



DIMENSIONS ARE IN INCHES
UNLESS OTHERWISE SPECIFIED

This item is the **exclusive** property of **KWIK GOAL LTD.** Reproduction or duplication **without** the express written consent of **KWIK GOAL LTD.** is **strictly forbidden.**



Approved By:

Date:

Drawn By: cspeck

Date: 9/11/2009

Sheet: 1 of 2

Revision #: -

Cad File: 10B101.idw

Part #:

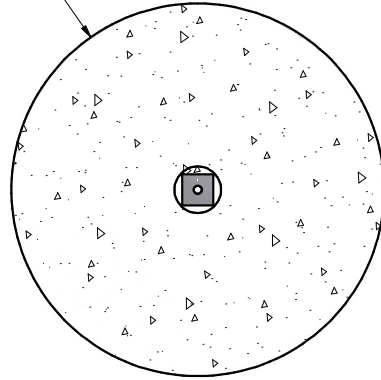
10B101

Desc:

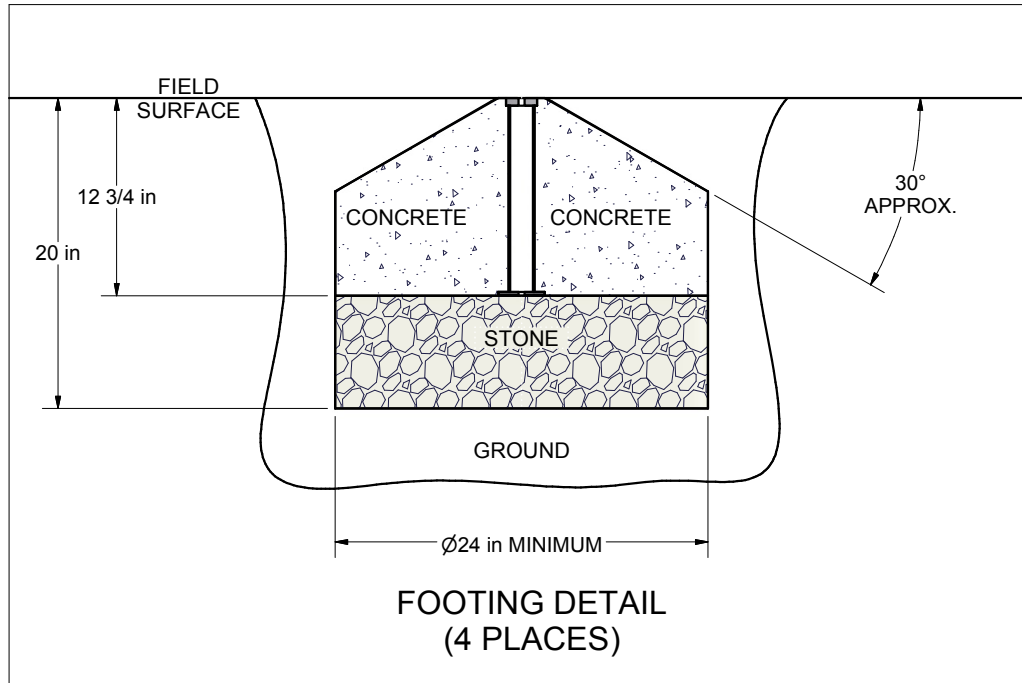
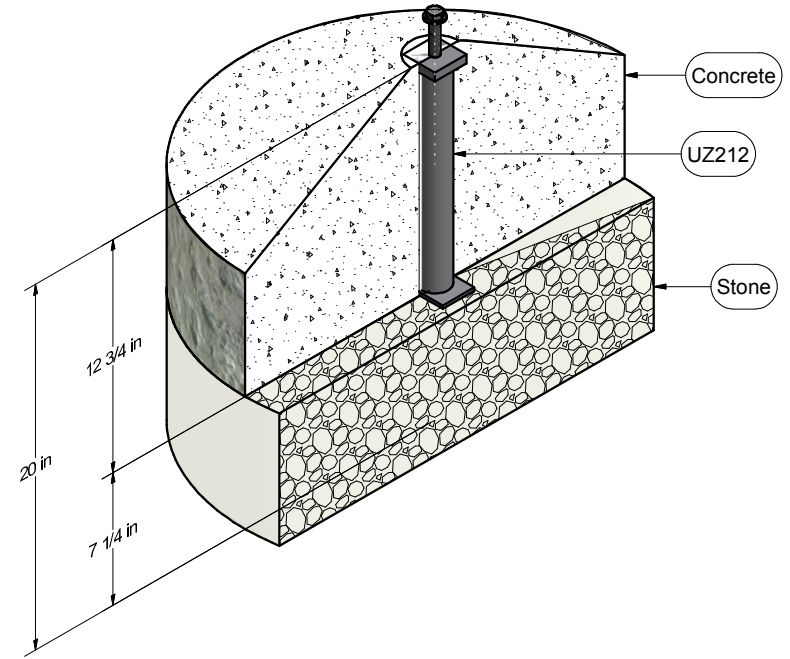
GROUND ANCHOR
ASSEMBLY

OVERHEAD VIEW

Ø24 in CONCRETE FOOTING

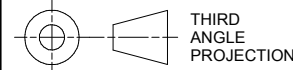


ISO VIEW
FOOTING DETAIL



MATERIAL REQUIRED, BUT **NOT** SUPPLIED

0.5 cubic yard - CONCRETE
 0.3 cubic yard - CLEAN STONE (1/4" - 3/4")
 ABOVE AMOUNTS ARE PER GOAL INSTALLATION



KWIKGOAL® 140 Pacific Drive
 Quakertown,
 Pa. 18951

DIMENSIONS ARE IN INCHES
 UNLESS OTHERWISE SPECIFIED

Approved By:

Part #:

Date:

10B101

This item is the **exclusive** property of **KWIK GOAL LTD.** Reproduction or duplication **without** the express written consent of **KWIK GOAL LTD.** is **strictly forbidden.**

Drawn By: cspeck

Date: 9/11/2009

Sheet: 2 of 2

Revision #: -

Cad File: 10B101.idw

Desc:

UZ212 CONCRETE DETAIL

Finish Info.