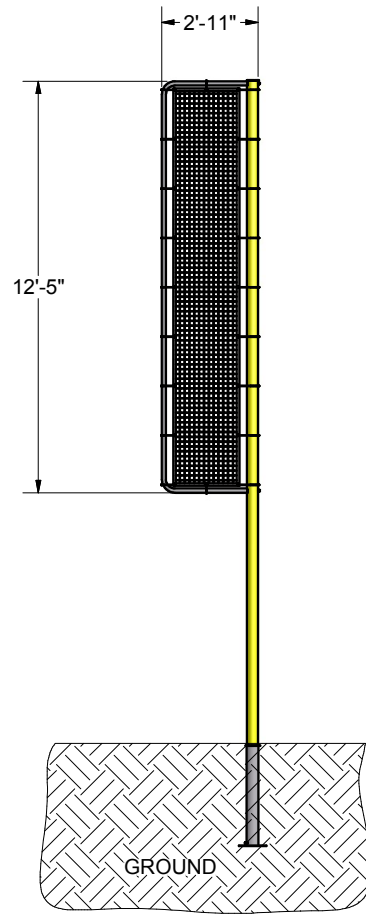
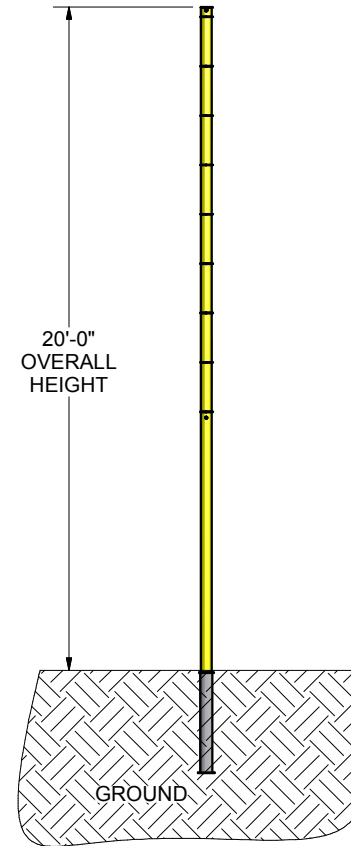


FRONT VIEW



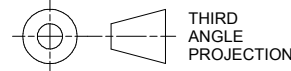
SIDE VIEW



FEATURES:

- 1) ALUMINUM UPRIGHTS NET FRAME
- 2) INCLUDES:
 - GROUND SLEEVES WITH CAPS
 - HTPP NET - (2' W x 12' L)
 - NET ATTACHMENT
- 3) ASSEMBLED WEIGHT:
 - UPRIGHTS: 40 LBS. EACH
 - NET: 10 LBS
 - TOTAL WITH NET: 106 LBS

Finish Info.



THIRD ANGLE PROJECTION

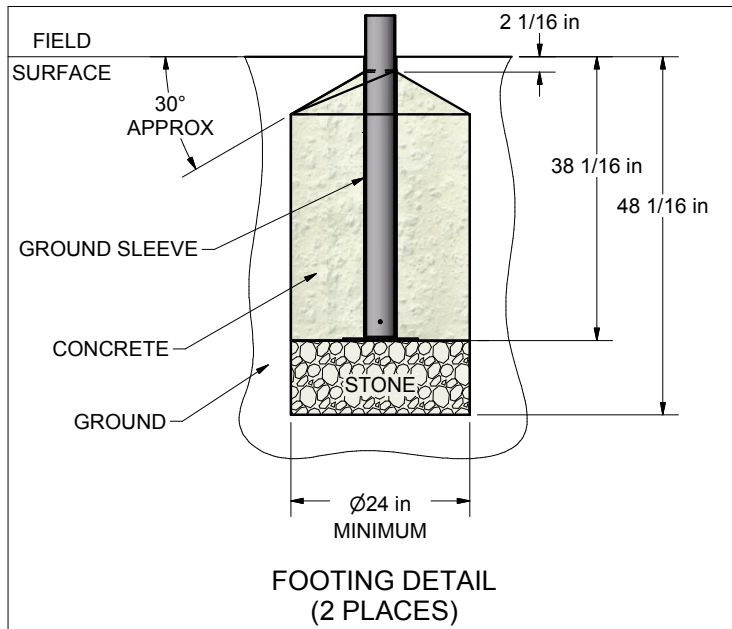
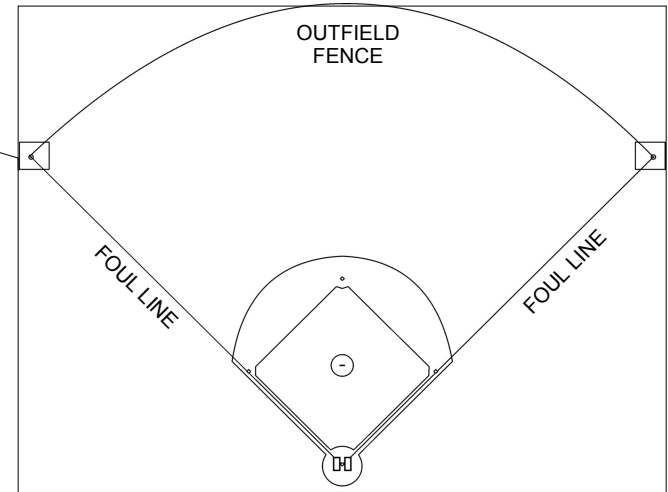
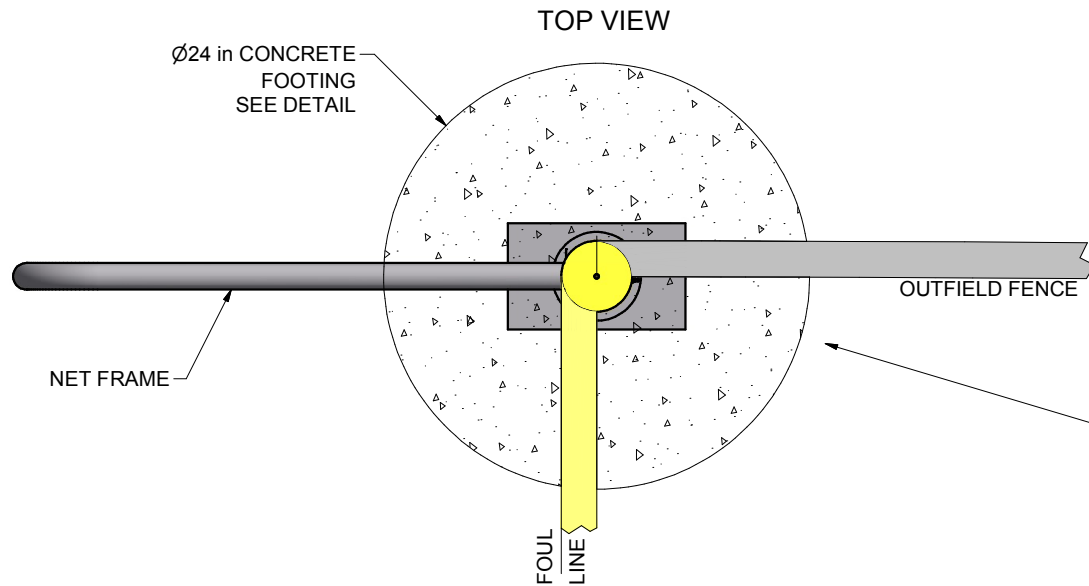
KWIKGOAL® 140 Pacific Drive
Quakertown, Pa. 18951

DIMENSIONS ARE IN INCHES UNLESS OTHERWISE SPECIFIED

This item is the **exclusive** property of **KWIK GOAL LTD.** Reproduction or duplication **without** the express written consent of **KWIK GOAL LTD.** is **strictly forbidden.**

Approved By:
Date:
Drawn By: KFrish
Date: 11/19/2010
Sheet: 1 of 4
Revision #: 1
Cad File: 7C1.idw

Part #: **7C1**
Desc: FOUL POLE - YELLOW



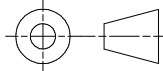

NOTES:

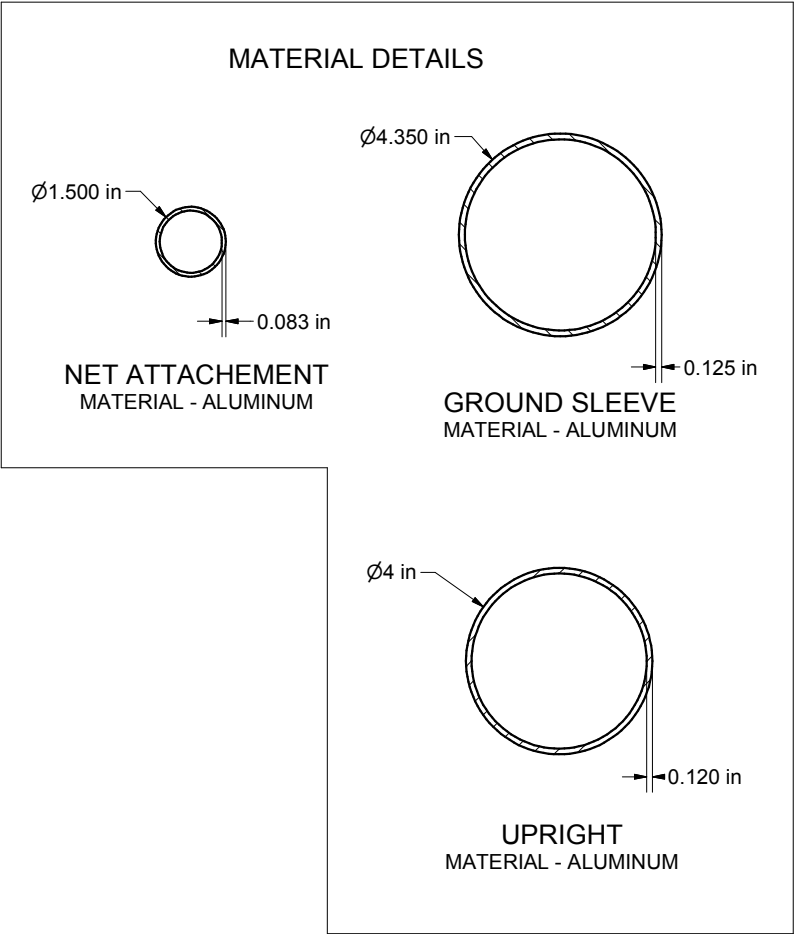
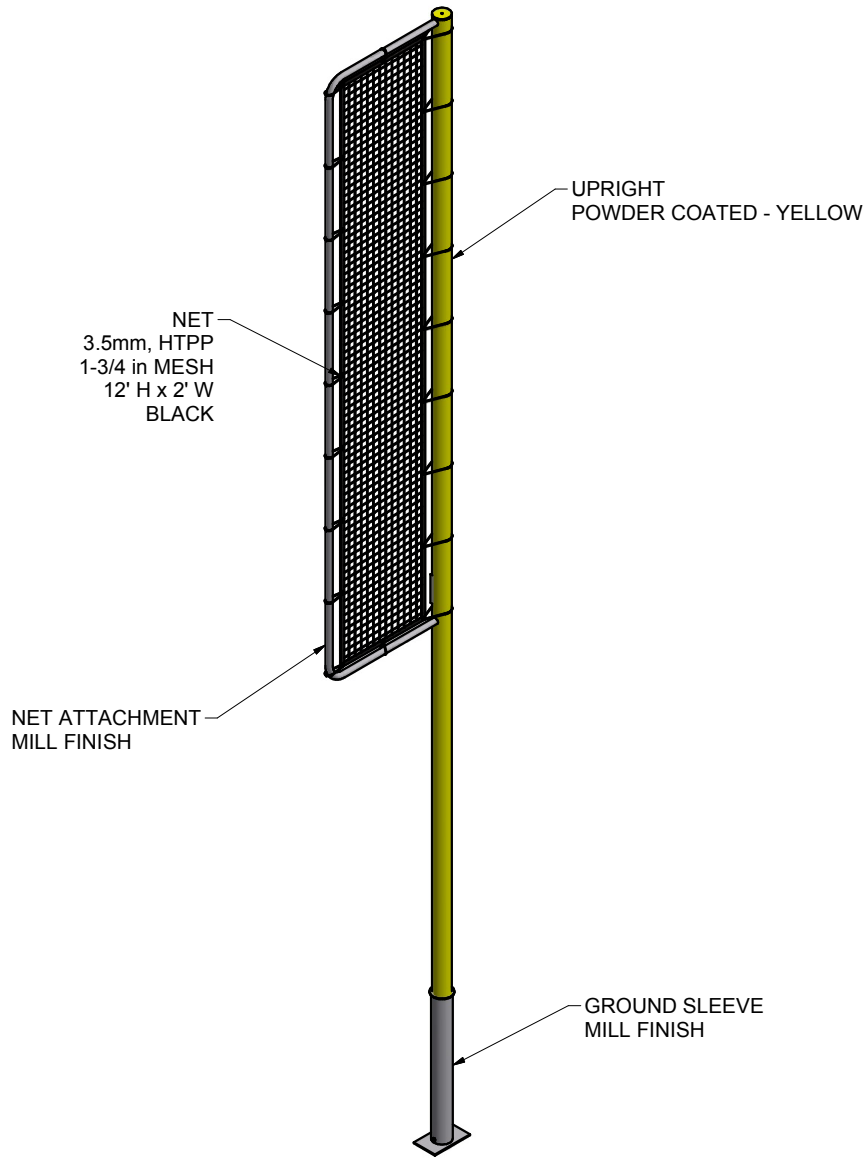
1) DIMENSIONS ARE FOR PLANNING PURPOSES. INSTALLATION MUST BE IN ACCORDANCE WITH INSTALLATION INSTRUCTIONS.

MATERIAL REQUIRED, BUT NOT SUPPLIED

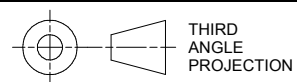
0.6 cubic yard - CONCRETE
 0.2 cubic yard - CLEAN STONE (1/4" - 3/4")
 ABOVE AMOUNTS ARE PER GOAL INSTALLATION

Finish Info.

 THIRD ANGLE PROJECTION	 140 Pacific Drive Quakertown, Pa. 18951	
DIMENSIONS ARE IN INCHES UNLESS OTHERWISE SPECIFIED	Approved By:	Part #: 7C1
	Date:	
This item is the exclusive property of KWIK GOAL LTD. Reproduction or duplication without the express written consent of KWIK GOAL LTD. is strictly forbidden.	Drawn By: KFRisch	Desc: FOUL POLE - YELLOW
	Date: 11/19/2010	
	Sheet: 2 of 4	
	Revision #: 1	
	Cad File: 7C1.idw	



Finish Info.



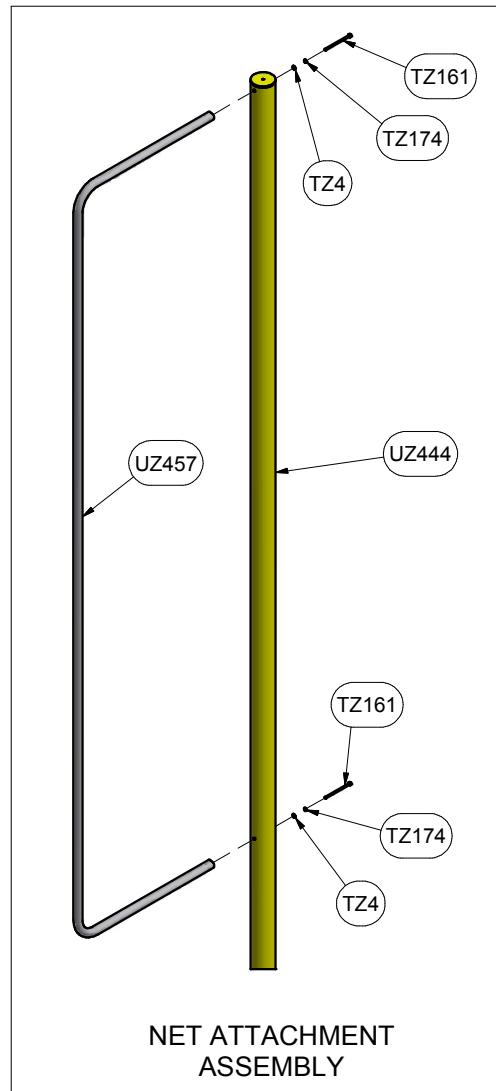
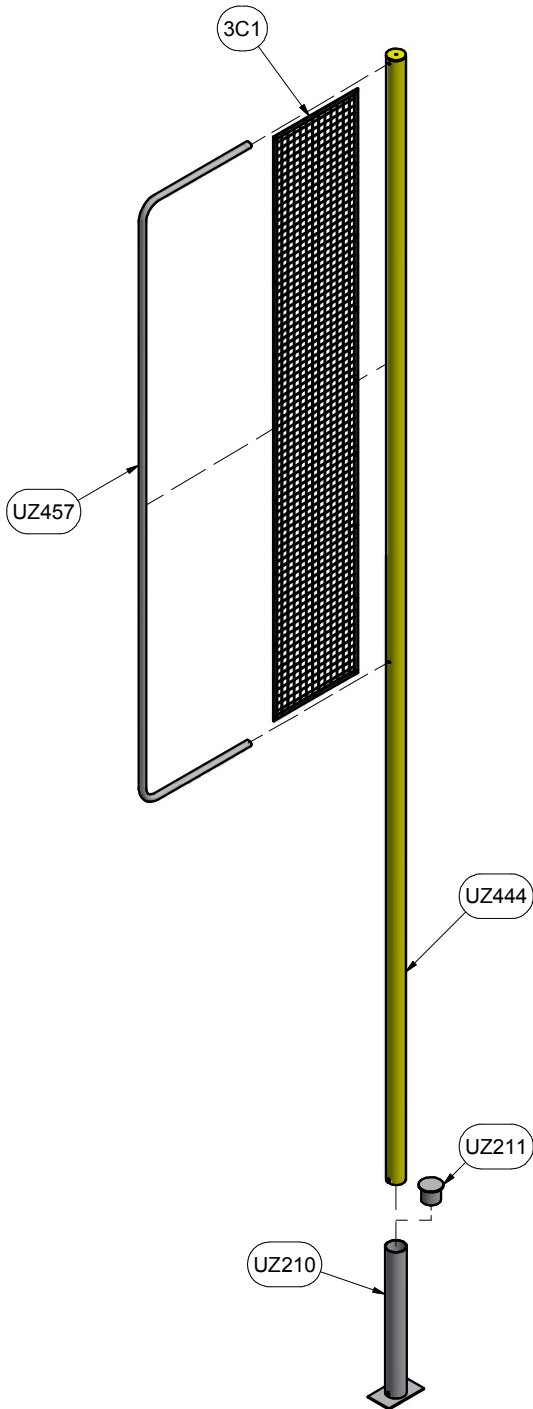
DIMENSIONS ARE IN INCHES UNLESS OTHERWISE SPECIFIED

This item is the **exclusive** property of **KWIK GOAL LTD.** Reproduction or duplication **without** the express written consent of **KWIK GOAL LTD.** is **strictly forbidden.**

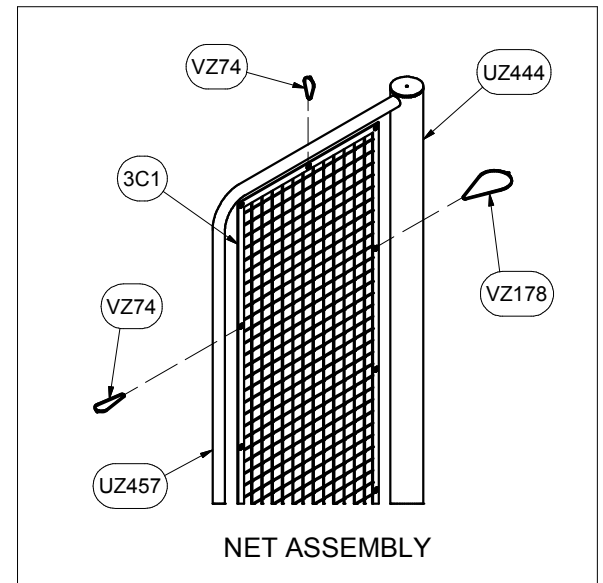


Approved By:
Date:
Drawn By: KFrish
Date: 11/19/2010
Sheet: 3 of 4
Revision #: 1
Cad File: 7C1.idw

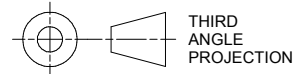
Part #: **7C1**
Desc: FOUL POLE - YELLOW



Parts List		
Part #	Qty	Description
UZ210	1	GROUND SLEEVE
UZ444	1	UPRIGHT
UZ457	1	NET ATTACHMENT
UZ211	1	GROUND SLEEVE CAP
TZ161	2	5/16-18 x 5 1/2 Hex Bolt
TZ174	2	5/16 Lock Washer
TZ4	2	5/16 Flat Washer
3C1	1	FOUL POLE NET
VZ178	9	PLASTIC CABLE TIES 18"
VZ74	11	PLASTIC CABLE TIES 8"



Finish Info.



DIMENSIONS ARE IN INCHES UNLESS OTHERWISE SPECIFIED

This item is the **exclusive** property of **KWIK GOAL LTD.** Reproduction or duplication **without** the express written consent of **KWIK GOAL LTD.** is **strictly forbidden.**



Approved By:
Date:
Drawn By: KFrish
Date: 11/19/2010
Sheet: 4 of 4
Revision #: 1
Cad File: 7C1.idw

Part #: **7C1**
Desc: **FOUL POLE - YELLOW**