



All Kwik Goal products carry a **Lifetime Guarantee**. For help with guarantee issues visit www.kwikgoal.com and click on the **Lifetime Guarantee** logo or contact customer service at 1-800-531-4252.

ASSEMBLY INSTALLATION INSTRUCTIONS FOR B-25 STANDARD BATTING TUNNEL

NOTE: THIS UNIT REQUIRES TWO OR MORE QUALIFIED PERSONS FOR ASSEMBLY AND INSTALLATION. ANY MODIFICATIONS TO THIS OR ANY KWIK GOAL PRODUCT WILL VOID ANY AND ALL WARRANTIES.

1. Unpack all parts and check for any damage that may have occurred during shipping. If damage has occurred notify trucking company immediately. Lay out all parts. Remove all cardboard or packaging immediately. Wet or damp packaging may damage contents.
2. Assemble uprights (A), as shown in figure 1. Be sure to attach hoist ropes (F), as shown.
3. Dig 8 holes a minimum of 49 1/4" deep and 24" across, see figure 2.
4. Prepare holes, as shown in figure 3.
5. Set ground sleeves (B) into holes, place uprights (A) into ground sleeves (B), and lock alignment slot onto alignment pin, as shown in figure 3. Position uprights (A), as shown in figures 5 & 6.
6. Plumb and level all uprights (A), and seal joint between ground sleeves (B) and uprights (A) using tape (this will stop debris from entering ground sleeves (B) during initial installation.) Be sure that the anti-spin slot located on the bottom of uprights (A) are locked onto ground sleeve (B) pin.
7. Pour concrete to top of ground sleeves (B), as shown in figure 3.
8. Allow concrete to cure.
9. Dig 8 holes for tunnel net anchors (H) 8" in diameter and minimum of 20" deep; areas subject to heavy ground frost may go as deep as 36". See figure 6 for location of tunnel net anchor (H) holes. Prepare holes, as shown in figure 7, assemble tunnel net anchors (H) and set tunnel net anchors (H) in holes. Pour concrete to the top of tunnel net anchors(H), and allow concrete to cure.
10. Unroll tunnel net (E) in the center of tunnel uprights (A).
11. Attach snap links on the net hoisting ropes (F), located on uprights (A) 1, 4, 5, and 8, to the four outside corners of the tunnel net (E). Hoist each one approximately 4 to 5 feet off field surface, using figure 6 for reference numbers.
12. Attach snap links on net hoisting ropes (F), located on uprights (A) 2, 3, 6, and 7 to sides of tunnel net (E), using figure 6 for reference numbers.
13. Before hoisting tunnel net (E), attach 3C14 (Baseball Baffle Net) and tunnel net anchors (H). See figures 8 thru 12. After tunnel net anchors (H) and 3C14 (Baseball Baffle Net) are attached, hoist tunnel net (E) all the way up.

140 Pacific Drive Quakertown, PA 18951
(P) 215- 536-2200 / (P) 800-531-4252 / (F) 215-536-4309 / (F) 800-778-8869
Visit our website @ www.kwikgoal.com
© 2000, Rev 2008 Kwik Goal Ltd.

14. When removing uprights (A) from ground sleeves (B) be sure to install ground sleeve caps (C), to prevent debris from entering ground sleeves (B).

15. After reassembly be sure to reseal the seam between uprights (A) and ground sleeves (B), to prevent debris from entering ground sleeves (B).

16. Please be aware that the batting tunnel net (E) will stretch for 3 to 4 weeks before it reaches its full size. Anchoring the base of the tunnel net (E) will accelerate this.

*****Caution*****

All sports equipment must be anchored at all times. Sports equipment not in use must be disassembled and stored in a safe place. Assembled sports equipment should not be left unattended. Do not use this equipment during the threat of high winds. Any modifications to this or any Kwik Goal product will void any and all warranties.

Parts List

A) Uprights	(8)
B) Ground Sleeves	(8)
C) Ground Sleeve Caps	(8)
D) Large Snap Link	(8)
E) Tunnel Net	(1)
F) Hoist Ropes	(8)
G) Boat Hooks	(8)
H) Tunnel Net Anchors	(8)
I) Cables	(8)
J) Small Snap Link	(8)
K) 3C14 Baseball Baffle Net	(1)
(14' X 14' Flat Net)	

Hardware

Pulley & Eye Bolts	(16)
1/4" x 5" Hex Bolts	(16)
1/4" Lock Nuts	(16)
5/16" Lock Nuts	(16)
5/16" Flat Washers	(32)
1/2" X 3" Hex Bolts	(8)
1/2" Flat Washers	(8)

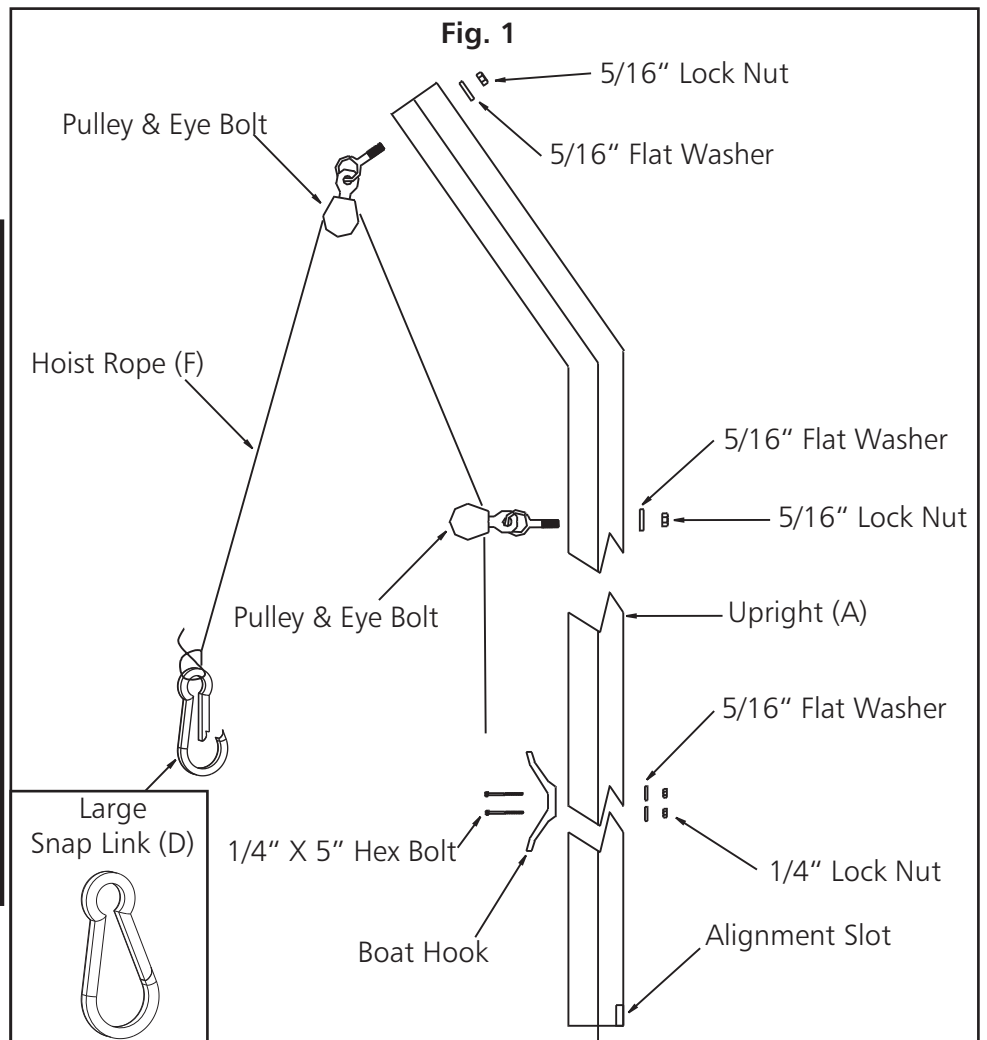
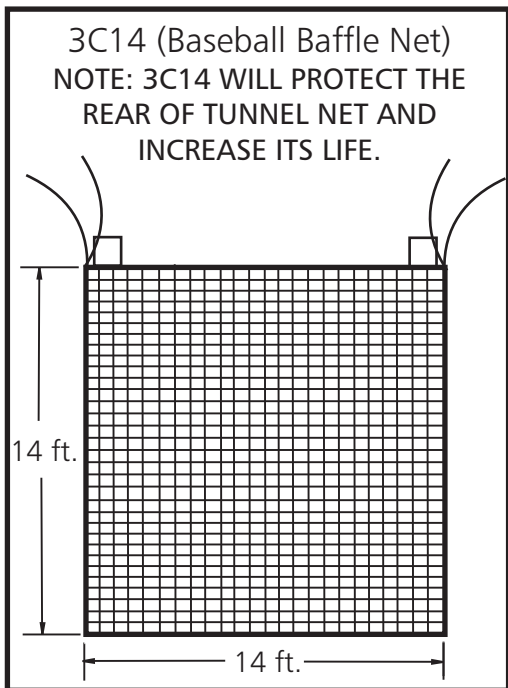


Fig. 2
Top View

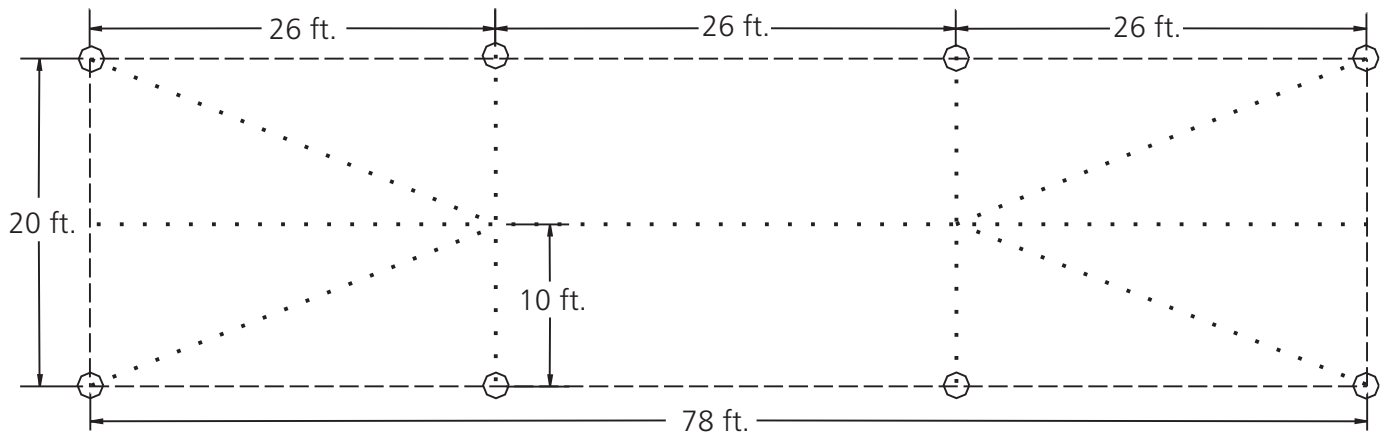


Fig. 3 Side View

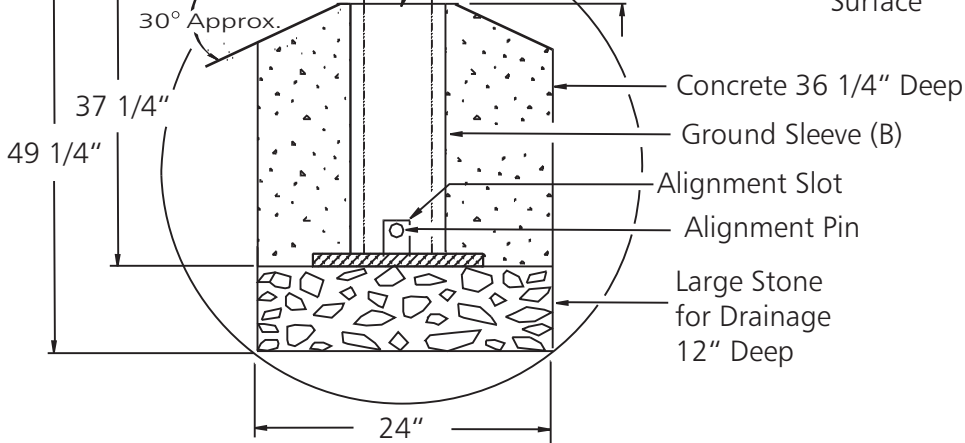
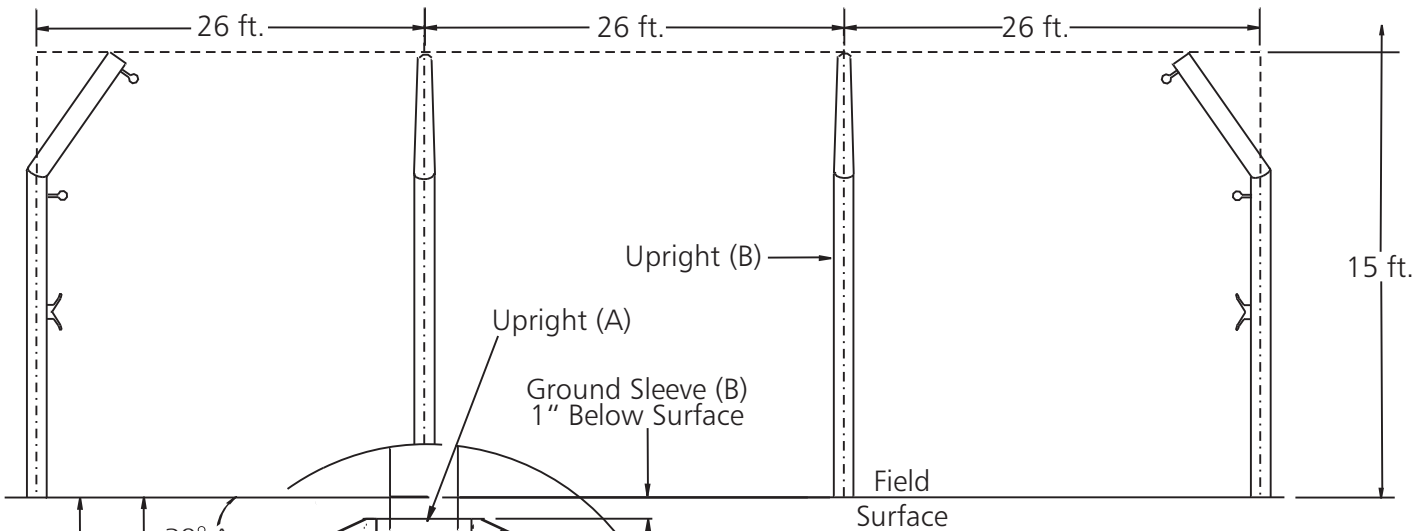
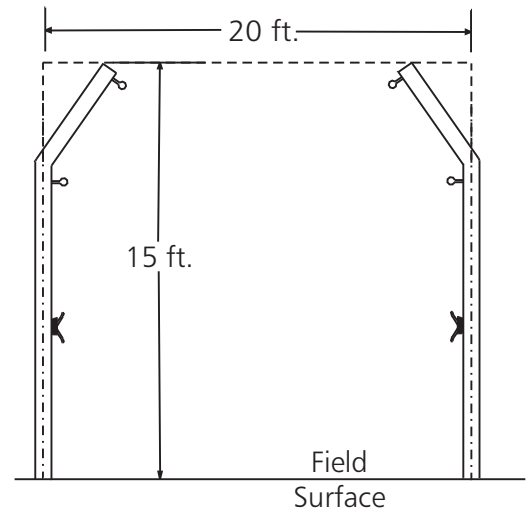


Fig. 4 End View



*****CAUTION*****

All sports equipment must be anchored at all times. Sports equipment not in use must be disassembled and stored in a safe, secure place. Assembled sports equipment should not be left unattended. Do not use this equipment during the threat of high winds. Sports equipment should be checked for safety on a regular basis. Any modifications to this or any Kwik Goal product will void any and all warranties.

Fig. 5 Top View

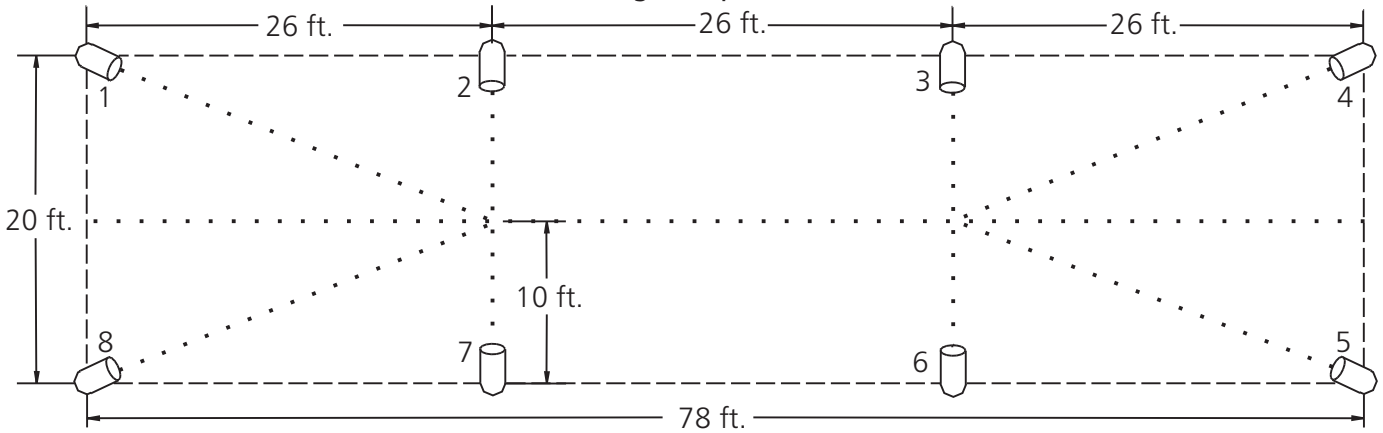
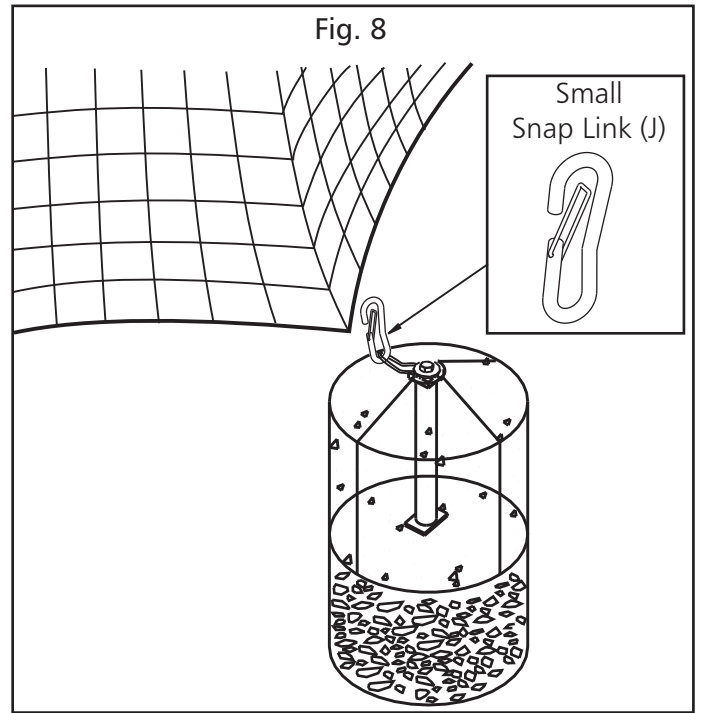
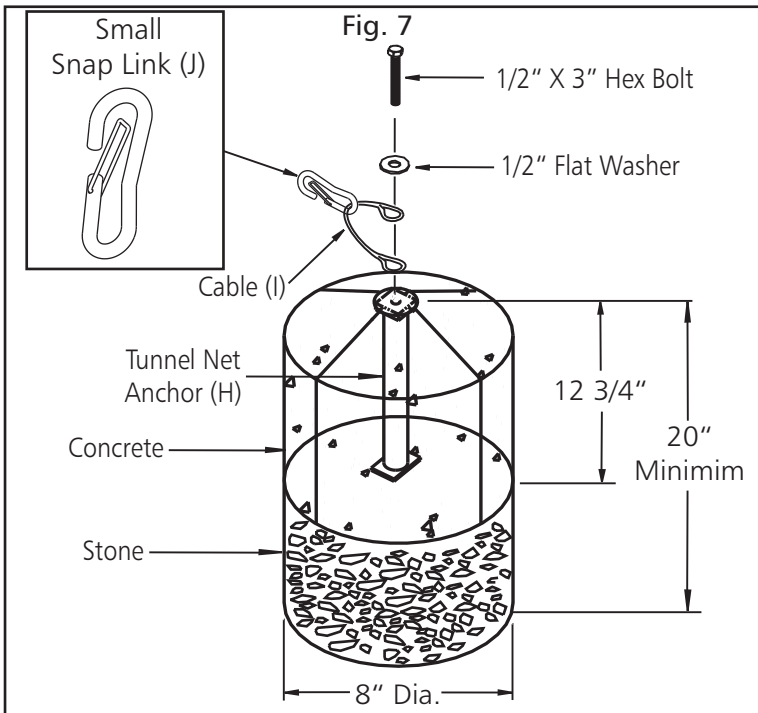
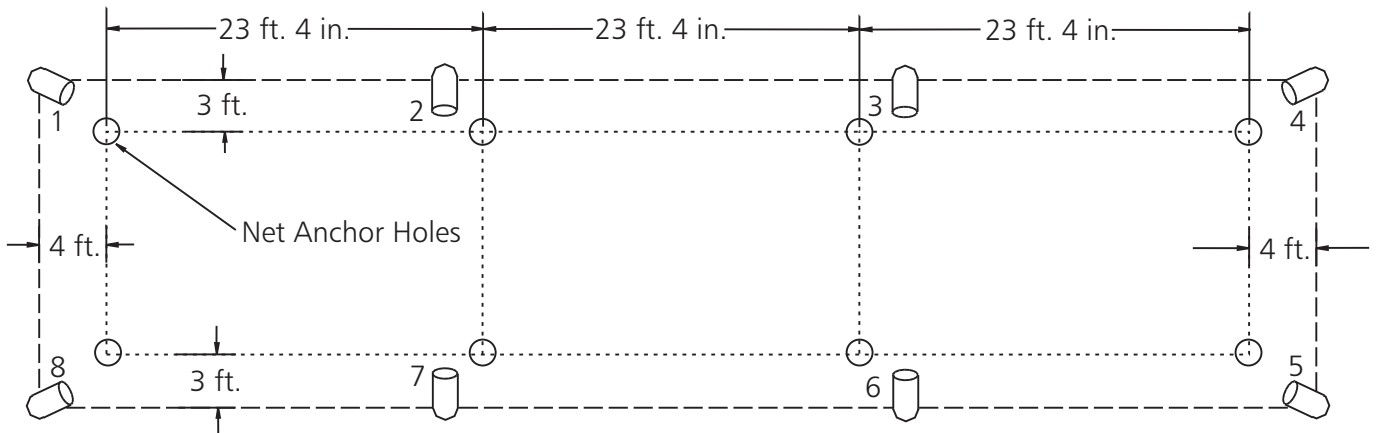


Fig. 6 Top View



*****CAUTION*****

All sports equipment must be anchored at all times. Sports equipment not in use must be disassembled and stored in a safe, secure place. Assembled sports equipment should not be left unattended. Do not use this equipment during the threat of high winds. Sports equipment should be checked for safety on a regular basis. Any modifications to this or any Kwik Goal product will void any and all warranties.

Fig. 9 Side View

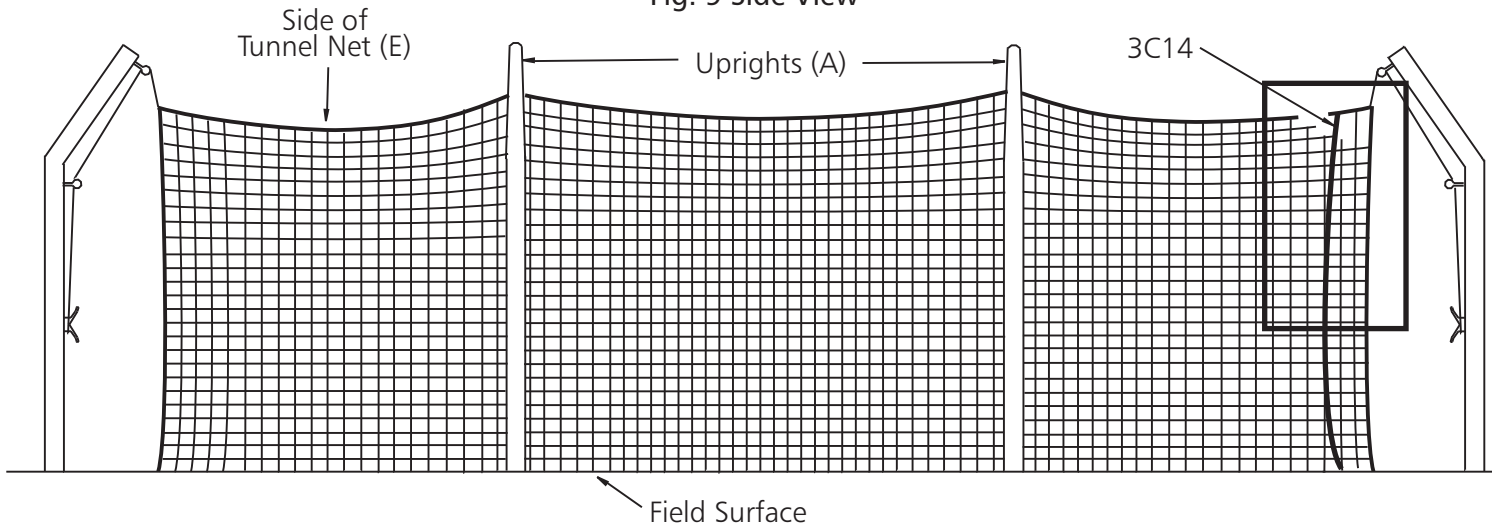
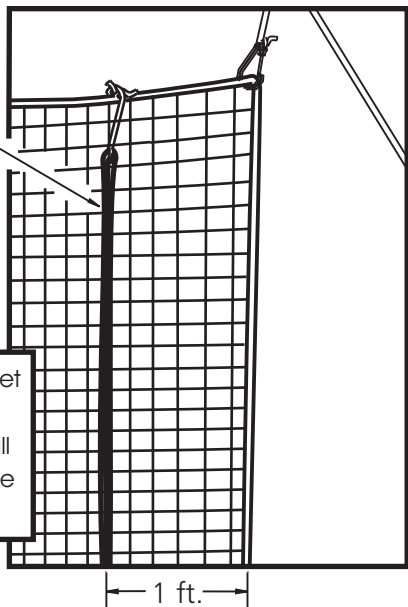


Fig. 10 Side View

NOTE: 3C14 WILL PROTECT THE REAR OF TUNNEL NET AND INCREASE ITS LIFE.



1) Before hoisting tunnel net all the way up, tie top corners of 3C14 (Baseball Baffle Net) 1 foot from one end of tunnel.

Fig. 11 End View

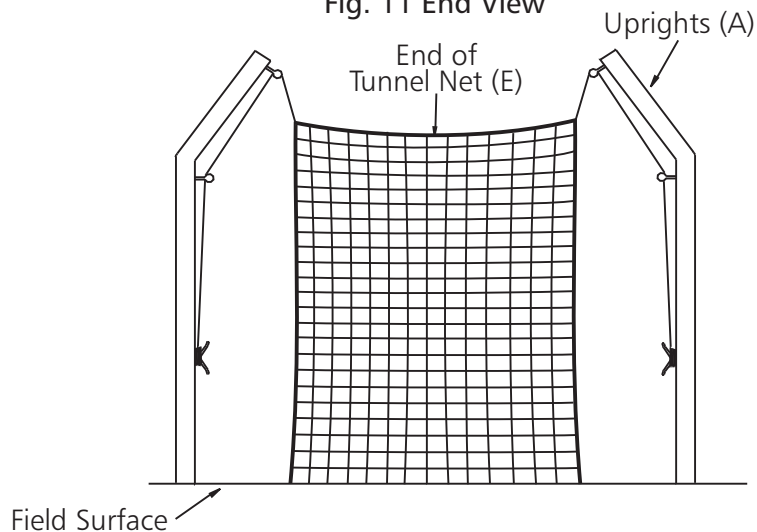
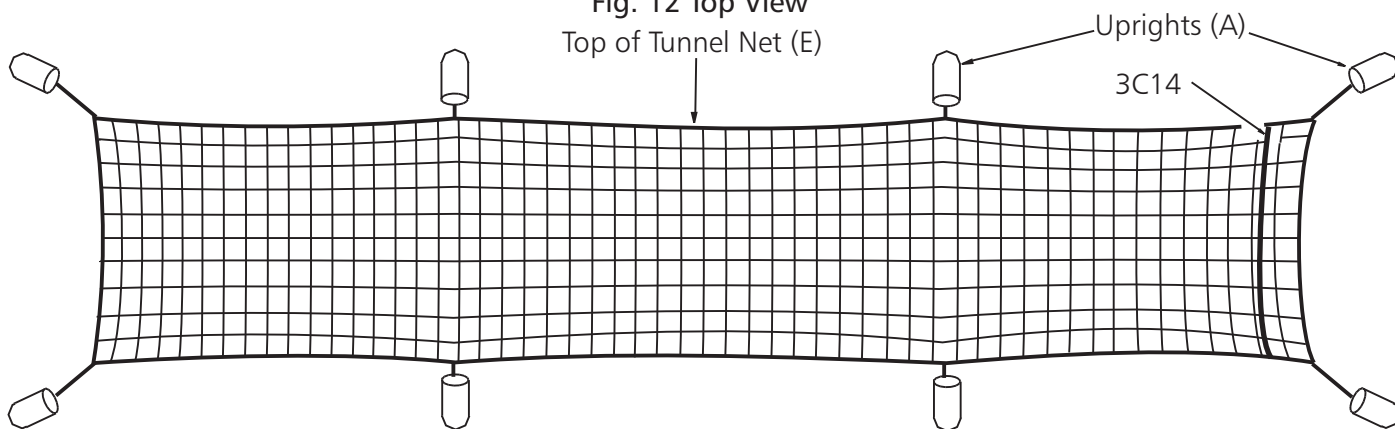


Fig. 12 Top View
Top of Tunnel Net (E)



*****CAUTION*****

All sports equipment must be anchored at all times. Sports equipment not in use must be disassembled and stored in a safe, secure place. Assembled sports equipment should not be left unattended. Do not use this equipment during the threat of high winds. Sports equipment should be checked for safety on a regular basis. Any modifications to this or any Kwik Goal product will void any and all warranties.