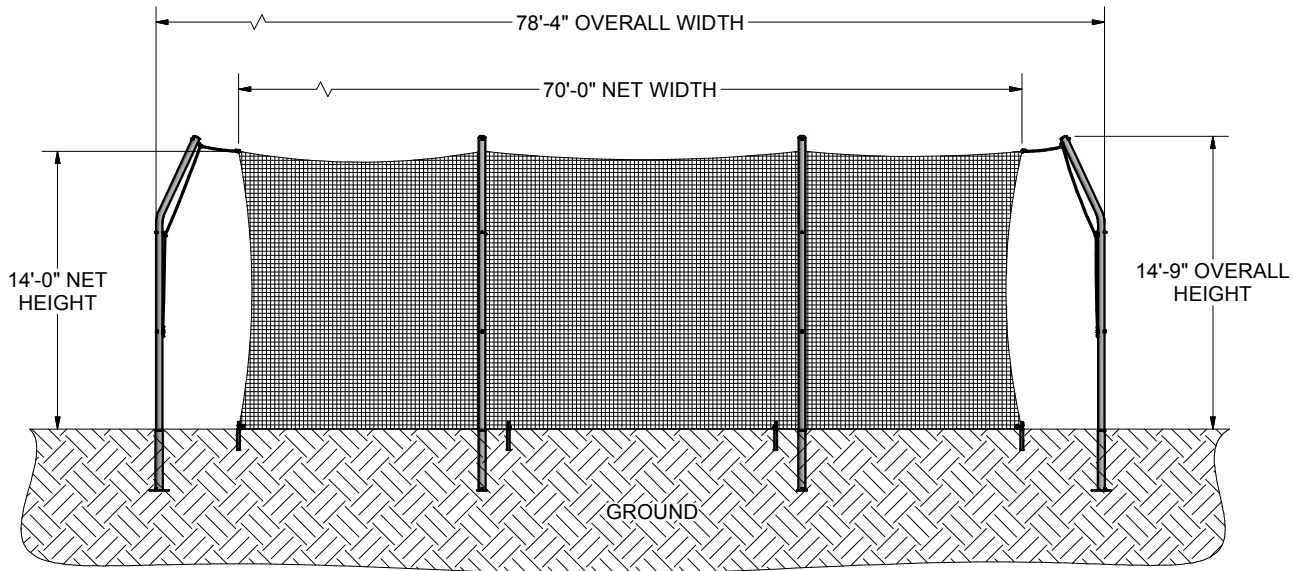
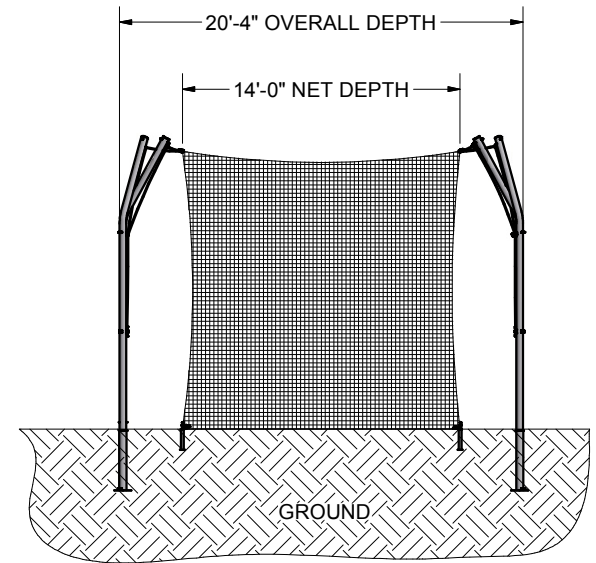


SIDE VIEW



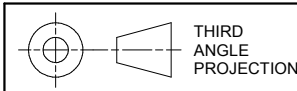
END VIEW



FEATURES:

- 1) ALUMINUM UPRIGHTS WITH HOIST SYSTEM FOR EASY NET HANDLING
- 2) ALUMINUM GROUND SLEEVES WITH CAPS
- 3) HTPP NET - (14ft x 14ft x 70FT - 3mm x 1-3/4" MESH)
- 4) GROUND ANCHORS TO HOLD NET ON GROUND DURING PLAY
- 5) ASSEMBLED WEIGHT:
 - UPRIGHTS: 35 LBS. EACH
 - NET: 139 LBS
 - TOTAL WITH NET: 485 LBS

Finish Info.



THIRD ANGLE PROJECTION

DIMENSIONS ARE IN INCHES UNLESS OTHERWISE SPECIFIED

This item is the **exclusive** property of **KWIK GOAL LTD.** Reproduction or duplication **without** the express written consent of **KWIK GOAL LTD.** is **strictly forbidden.**



140 Pacific Drive
Quakertown,
Pa. 18951

Approved By:

Date:

Drawn By: CSpeck

Date: 4/17/2007

Sheet: 1 of 4

Revision #: 1

Cad File: B-25.idw

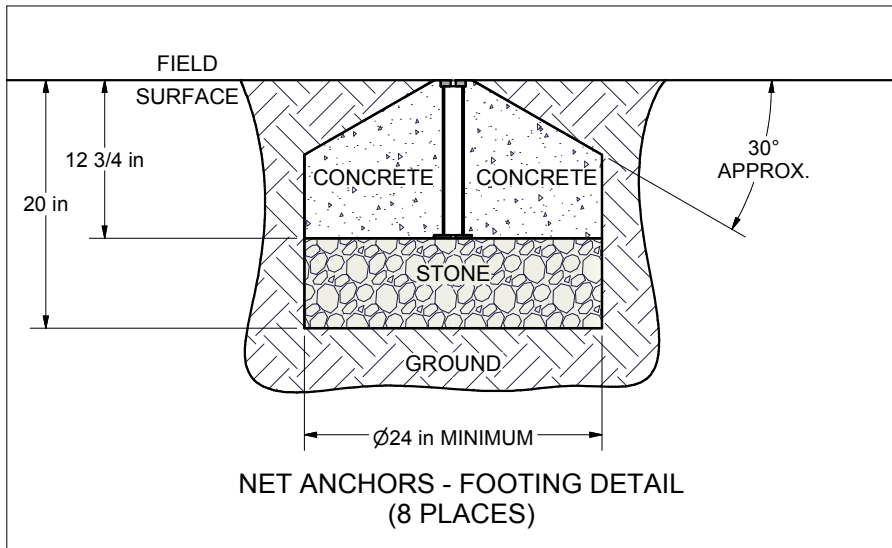
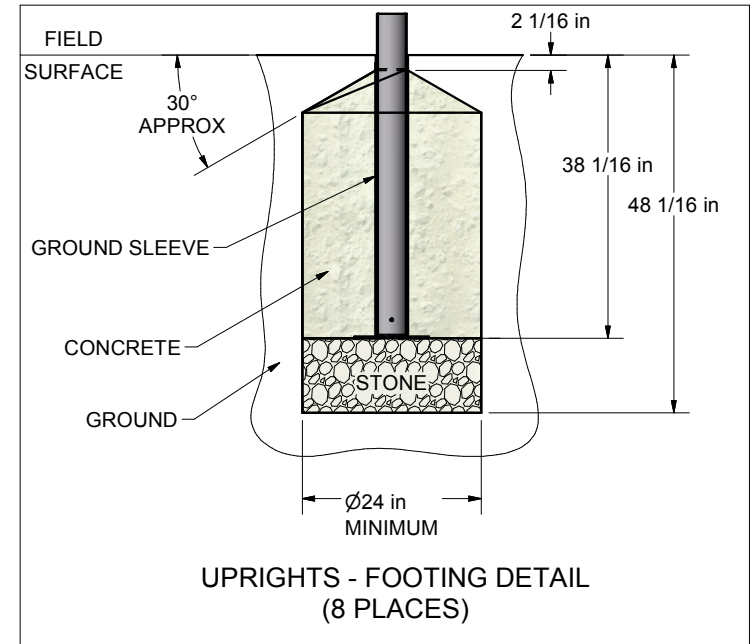
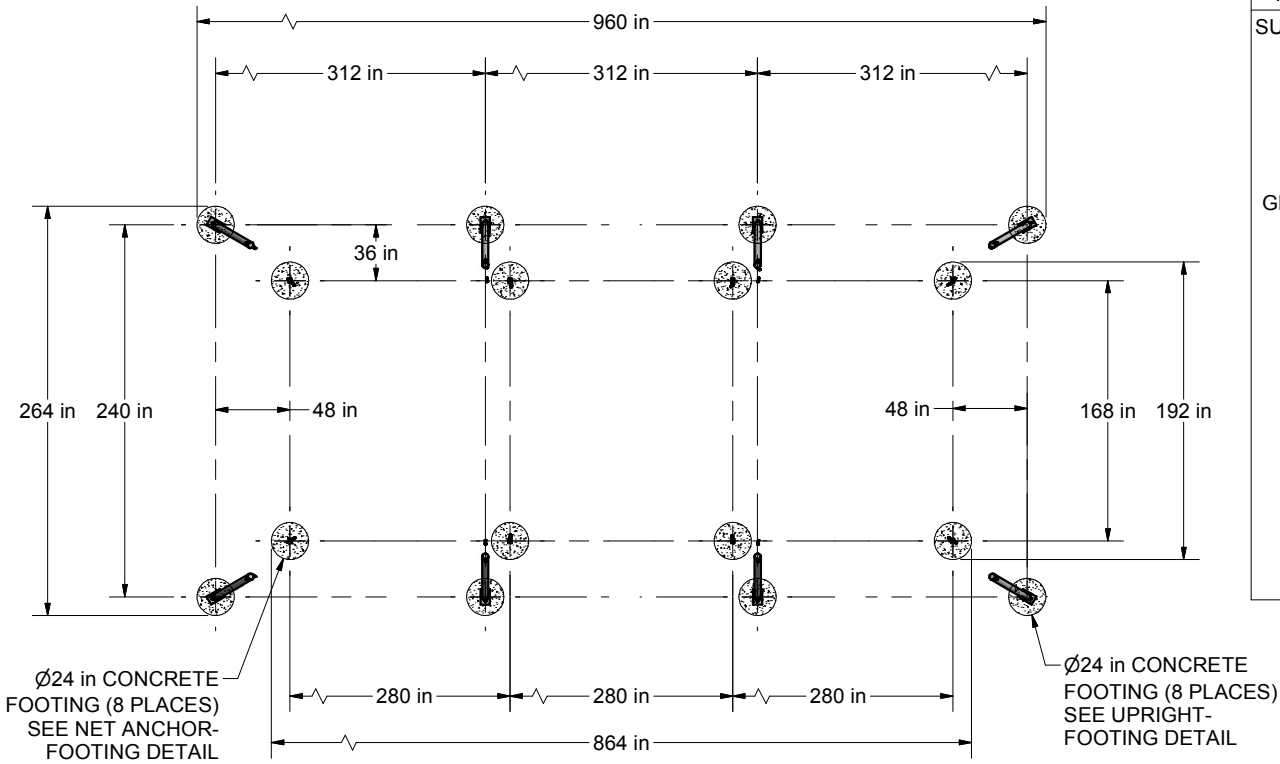
Part #:

B-25

Desc:

STANDARD BATTING TUNNEL
(14'H X 14'W X 70'L)

TOP VIEW



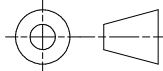

NOTES:

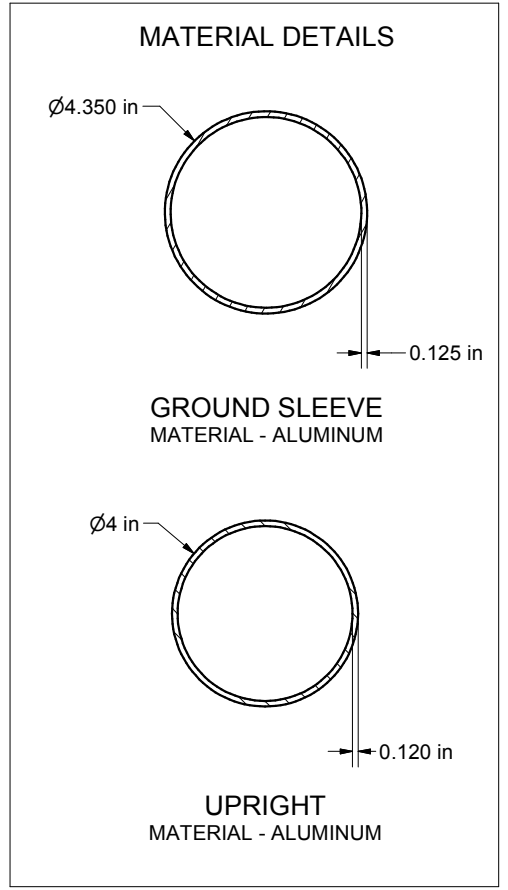
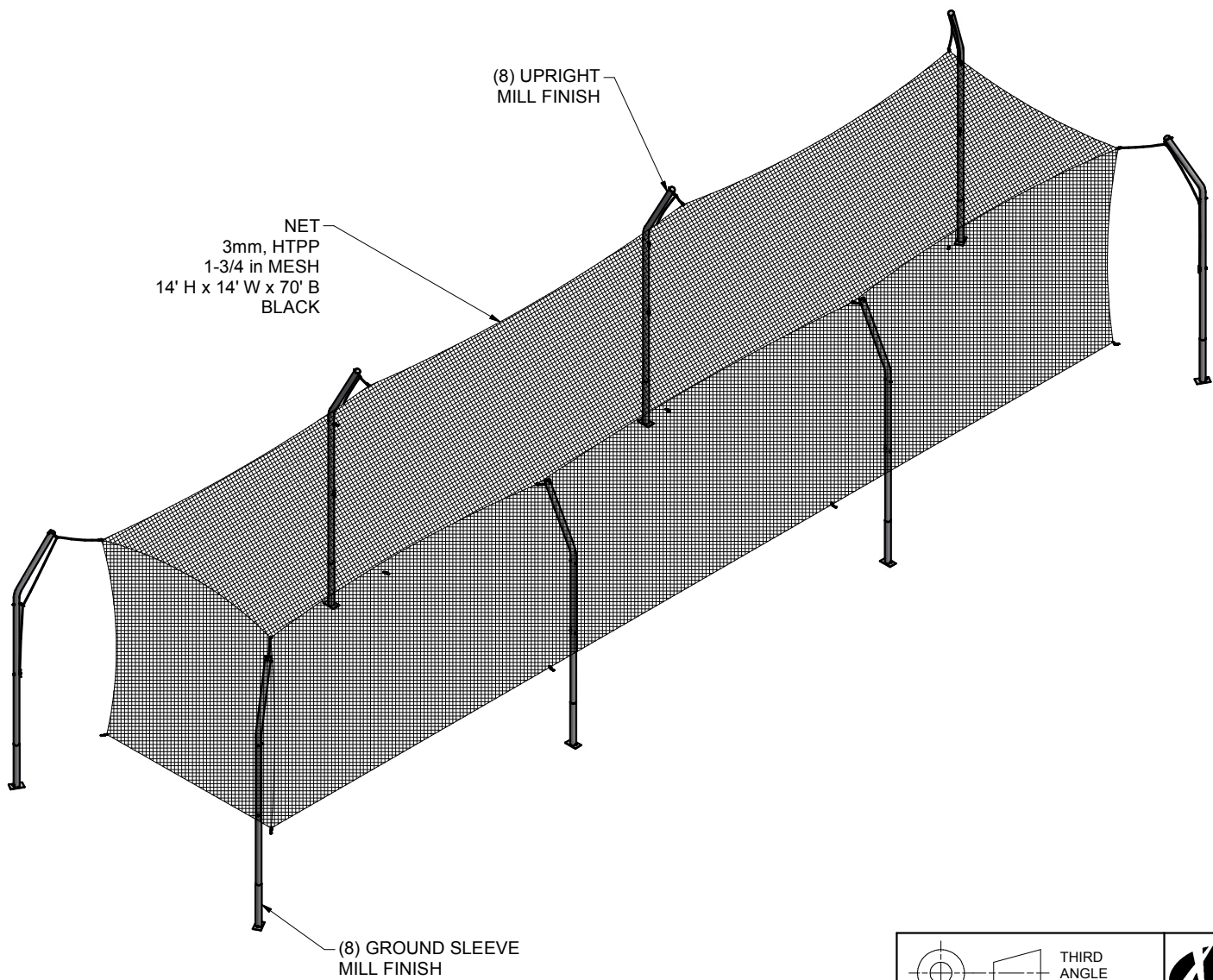
- 1) DIMENSIONS ARE FOR PLANNING PURPOSES. INSTALLATION MUST BE IN ACCORDANCE WITH INSTALLATION INSTRUCTIONS.

MATERIAL REQUIRED, BUT **NOT** SUPPLIED

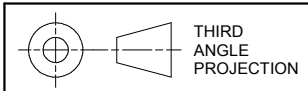
3.5 cubic yard - CONCRETE
 1.2 cubic yard - CLEAN STONE (1/4" - 3/4")
 ABOVE AMOUNTS ARE PER GOAL INSTALLATION

Finish Info.

 THIRD ANGLE PROJECTION	 140 Pacific Drive Quakertown, Pa. 18951	
	DIMENSIONS ARE IN INCHES UNLESS OTHERWISE SPECIFIED	Approved By:
This item is the exclusive property of KWIK GOAL LTD. Reproduction or duplication without the express written consent of KWIK GOAL LTD. is strictly forbidden.	Date:	B-25
	Drawn By: CSpeck	
	Date: 4/17/2007	Desc: STANDARD BATting TUNNEL (14'H X 14'W X 70'L)
	Sheet: 2 of 4	
Revision #: 1	Cad File: B-25.idw	



Finish Info.



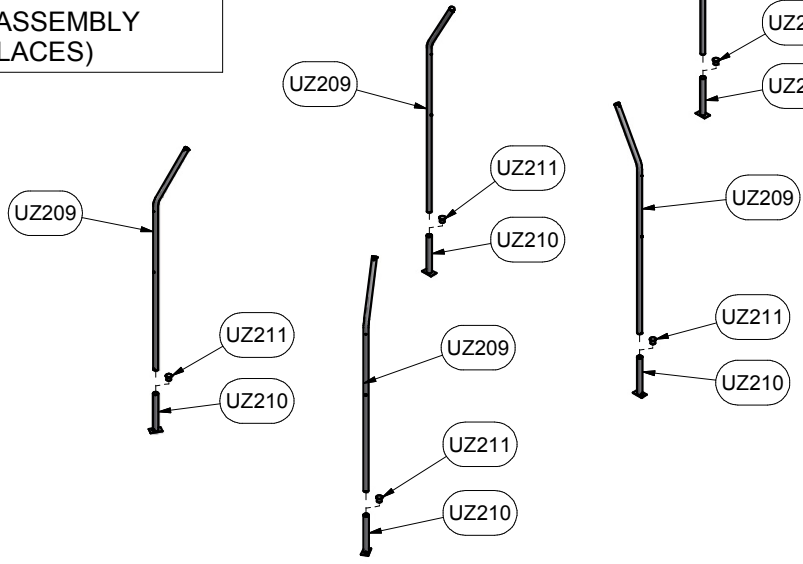
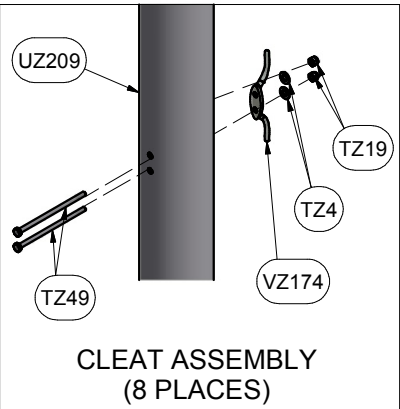
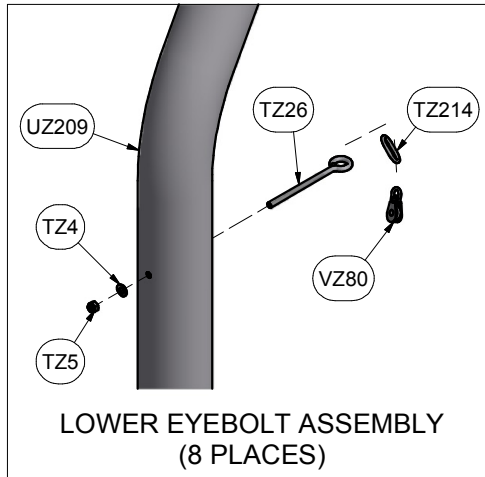
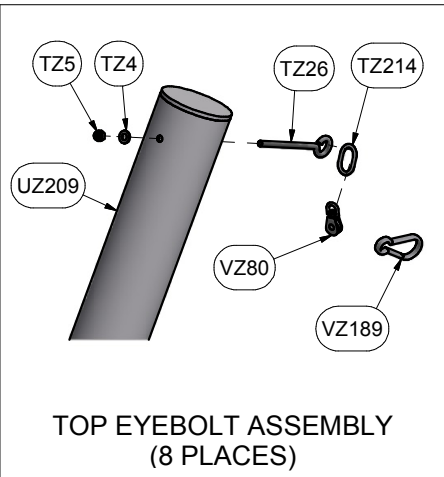
DIMENSIONS ARE IN INCHES UNLESS OTHERWISE SPECIFIED

This item is the **exclusive** property of **KWIK GOAL LTD.** Reproduction or duplication **without** the express written consent of **KWIK GOAL LTD.** is **strictly forbidden.**

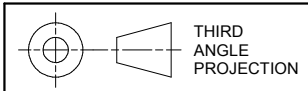
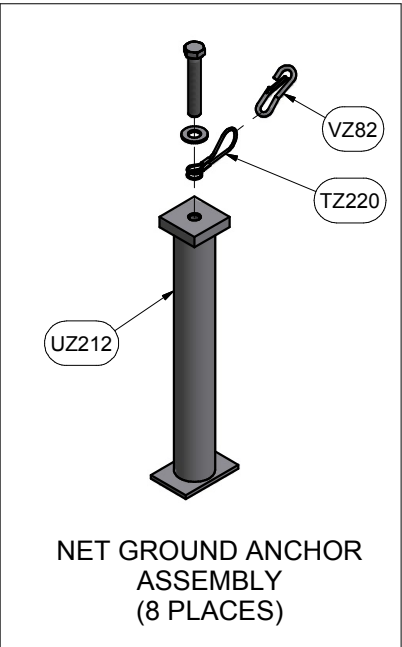
140 Pacific Drive
Quakertown,
Pa. 18951

Approved By:
Date:
Drawn By: CSpeck
Date: 4/17/2007
Sheet: 3 of 4
Revision #: 1
Cad File: B-25.idw

Part #:
B-25
Desc:
STANDARD BATTING TUNNEL
(14'H X 14'W X 70'L)



Parts List		
Part #	Qty	Description
UZ209	8	UPRIGHT, BATTING TUNNELS
UZ210	8	GROUND SLEEVE
UZ211	8	GROUND SLEEVE CAP
UZ212	8	GROUND ANCHOR ASSEMBLY
VZ80	16	3/4" Swivel Pulley
VZ82	8	3/16" Snap Link
VZ174	8	Rope Cleat
VZ189	8	5/16 Snap Link
TZ4	32	5/16 Flat Washer
TZ5	16	5/16-18 Lock Nut
TZ19	16	1/4-20 Lock Nut
TZ26	16	5/16 x 5 Eyebolt
TZ49	16	1/4-20 x 5 Hex Bolt
TZ214	16	89-1/4 Repair Link
TZ220	8	LANYARD
NB-25A	1	70'BASEBALL TUNNEL REPLACEMENT



DIMENSIONS ARE IN INCHES UNLESS OTHERWISE SPECIFIED

This item is the **exclusive** property of **KWIK GOAL LTD.** Reproduction or duplication **without** the express written consent of **KWIK GOAL LTD.** is **strictly forbidden.**



Approved By:
Date:
Drawn By: CSpeck
Date: 4/17/2007
Sheet: 4 of 4
Revision #: 1
Cad File: B-25.idw

Part #:
B-25
Desc:
STANDARD BATTING TUNNEL
(14'H X 14'W X 70'L)

Finish Info.