



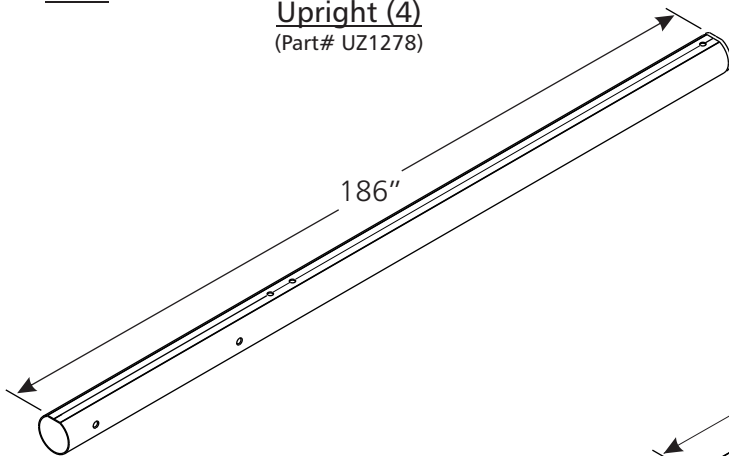
All Kwik Goal products carry a **Lifetime Guarantee**. For help with guarantee issues, visit kwikgoal.com and click on the **Lifetime Guarantee** logo or contact customer service at 1-800-531-4252.

ASSEMBLY INSTRUCTIONS FOR 7E201 PORTABLE BACKSTOP

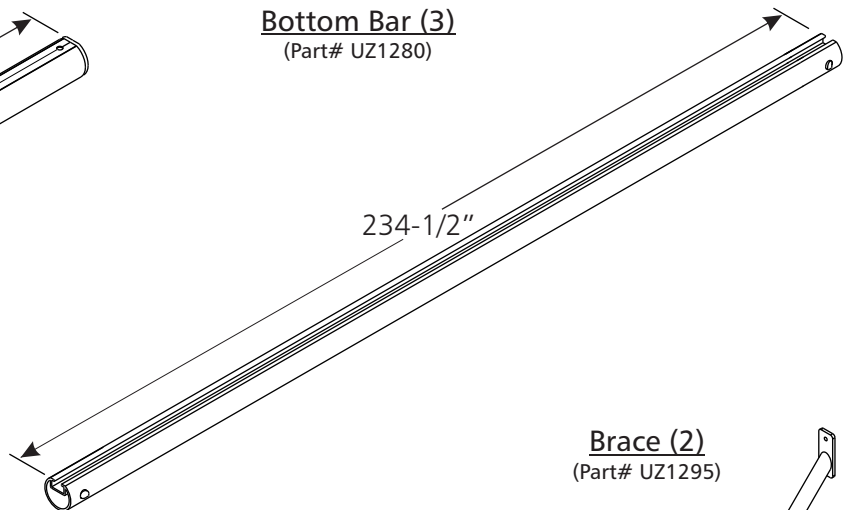
1. Unpack all parts and check for damage that may have occurred during shipping. If damage has occurred, notify trucking company immediately. Lay out all parts. Remove all cardboard and packaging immediately. Wet or damp packaging may damage contents.
2. Read through entire instruction before beginning assembly and installation.

Parts

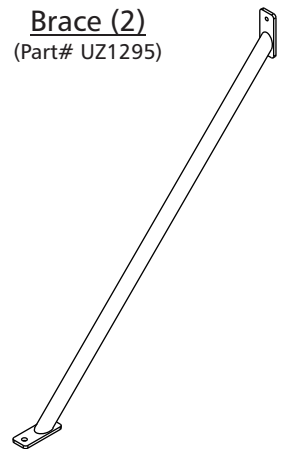
Upright (4)
(Part# UZ1278)



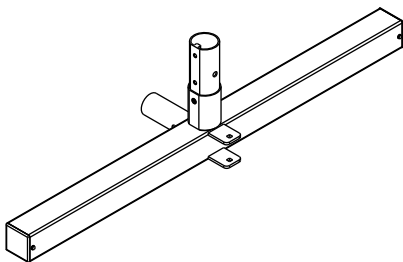
Bottom Bar (3)
(Part# UZ1280)



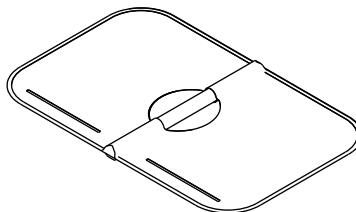
Brace (2)
(Part# UZ1295)



Base (4)
(Part# UZ1279)



Heavy Duty Anchor Bage (16)
(Part# 10B7011)

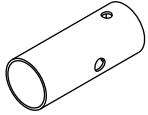


WARNING

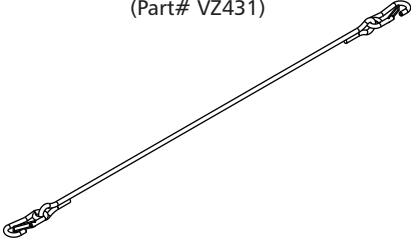
THIS EQUIPMENT MUST BE STORED IN A SECURED, SHELTERED AREA WHEN NOT IN USE OR IN THE THREAT OF HIGH WINDS. ANY WEATHER DAMAGE TO THIS EQUIPMENT WILL NOT BE COVERED UNDER KWIK GOAL'S LIFETIME GUARANTEE. DO NOT LEAVE THIS EQUIPMENT UNATTENDED.

140 Pacific Drive Quakertown, PA 18951
(P) 215-536-2200 / (P) 800-531-4252 / (F) 215-536-4309 / (F) 800-778-8869
Visit our website @ kwikgoal.com
© 2011 Kwik Goal Ltd.

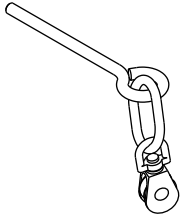
Swivel Connector Tube (4)
(Part# UZ1296)



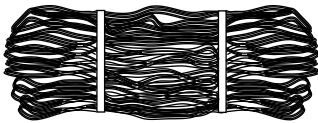
Net Holder (8)
(Part# VZ431)



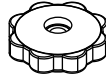
Pulley Assembly (4)
(Part# TZ214, TZ339 & VZ80)



Net (1)
(Part# 3B4901)



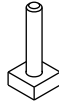
Knob (2)
(Part#VZ252)



Rope Cleat (4)
(Part# VZ569)



Square Nut & Stud (2)
(Part# TZ336)



Snap Link (4)
(Part# VZ82)



Net Clip (40)
(Part# VZ116)



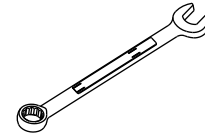
Hardware

Note: Hardware may be packaged separately in one or more boxes. Open all packages before beginning assembly.

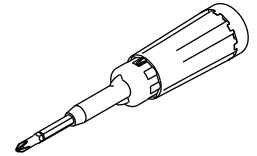
- 8-32 X 5/8" Flat Head Screw (Part# TZ314) (8)
- 1/4" Flat Washer (Part# TZ147) (4)
- 1/4" Lock Nut (Part# TZ19) (4)
- 3/8" Flat Washer (Part# TZ189) (6)
- 3/8" Lock Washer (Part# TZ301) (2)
- 3/8" Nut (Part# TZ166) (2)
- 3/8" Lock Nut (Part# TZ197) (4)
- 3/8" X 3" Threaded Stud (Part# TZ337) (2)
- 3/8" X 3-1/2" Carriage Bolt (Part# TZ340) (4)
- 27' Rope (Part# VZ377) (4)

Assembly Tools

7/16" & 9/16" Wrenches

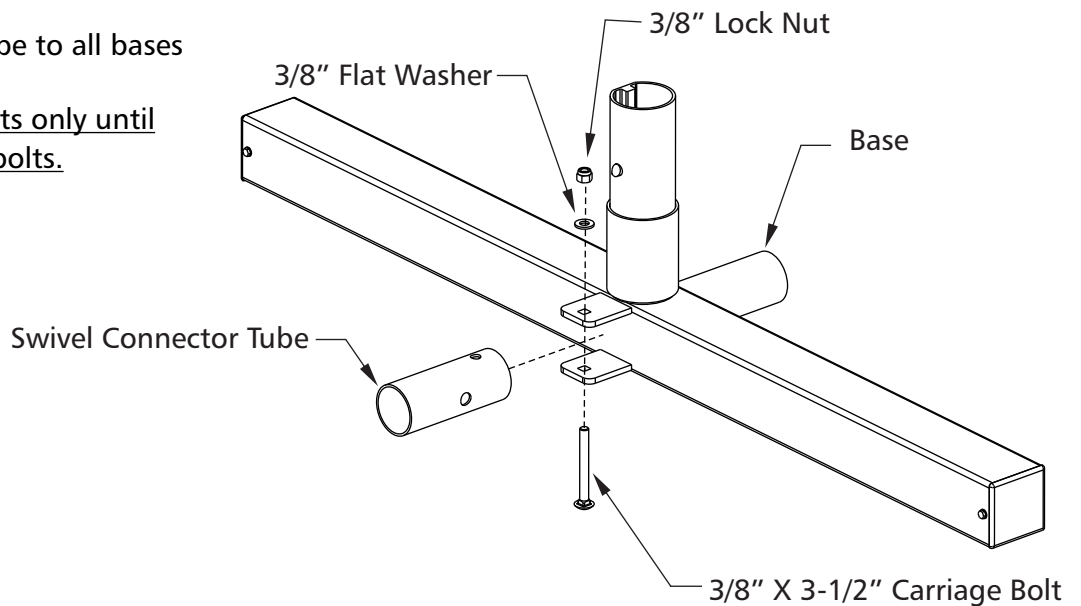


Phillips Screw Driver



3. Attach swivel connector tube to all bases as shown.

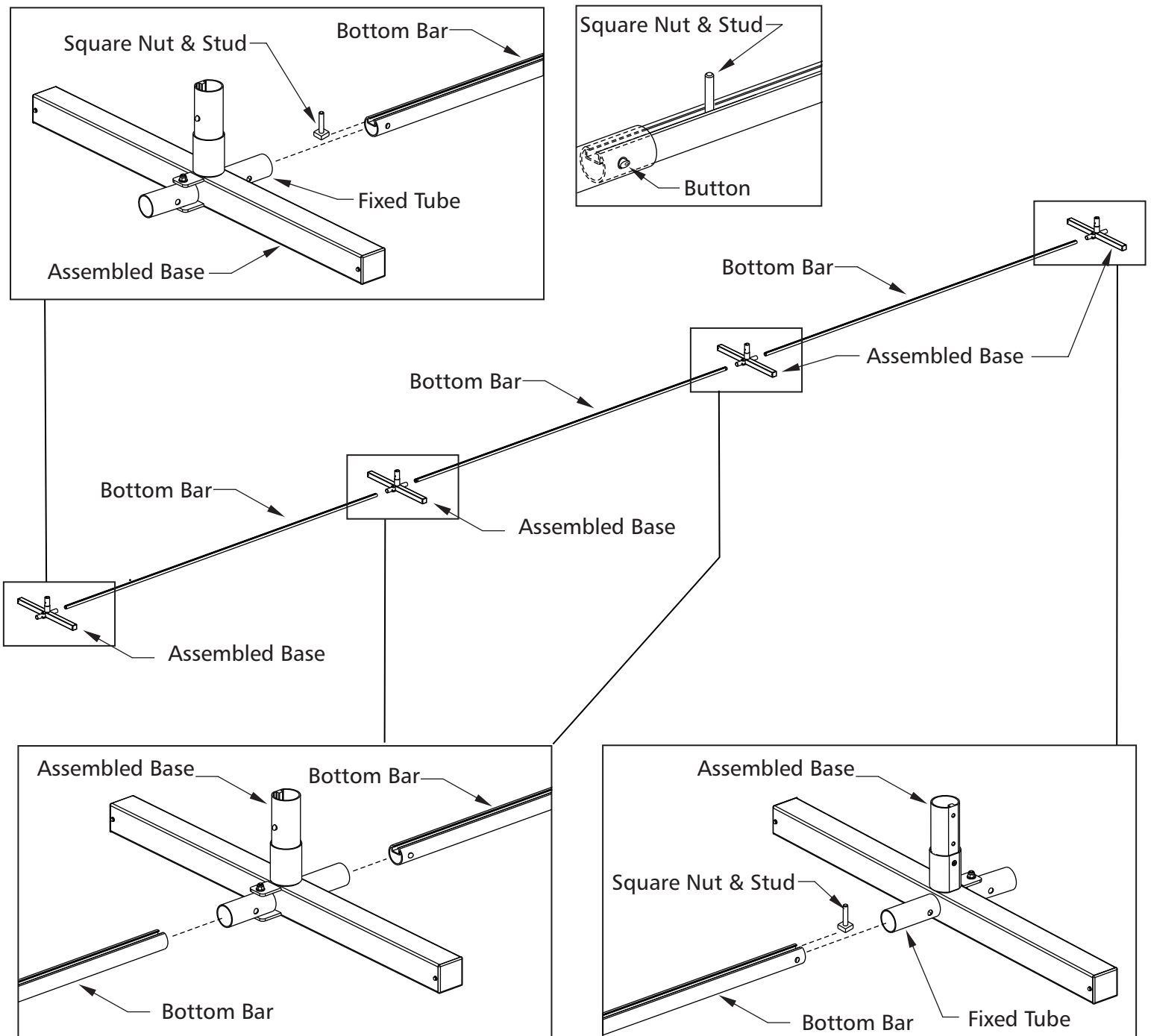
NOTE: Tighten 3/8" lock nuts only until flush with end of carriage bolts.



WARNING

THIS EQUIPMENT MUST BE STORED IN A SECURED, SHELTERED AREA WHEN NOT IN USE OR IN THE THREAT OF HIGH WINDS. ANY WEATHER DAMAGE TO THIS EQUIPMENT WILL NOT BE COVERED UNDER KWIK GOAL'S LIFETIME GUARANTEE. DO NOT LEAVE THIS EQUIPMENT UNATTENDED.

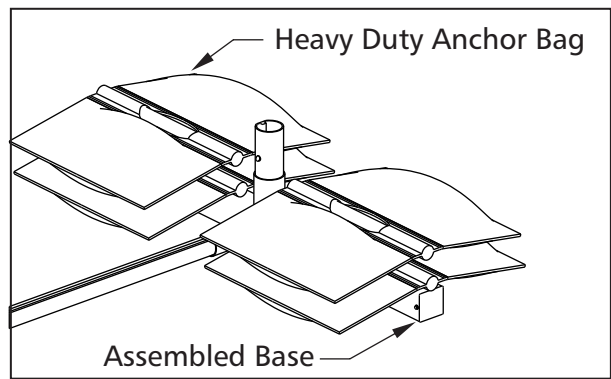
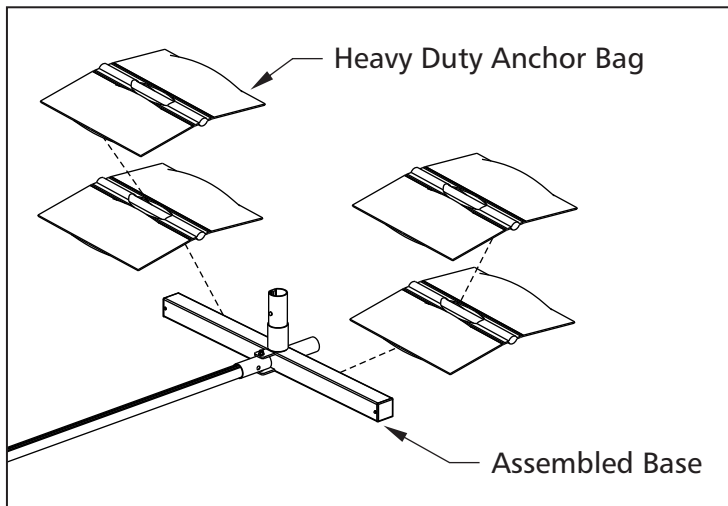
4. Set assembled bases and bottom bars in desired location and connect together with snap buttons.
Note: Bases at each end of unit must be connected to the fixed tube of the base assembly.



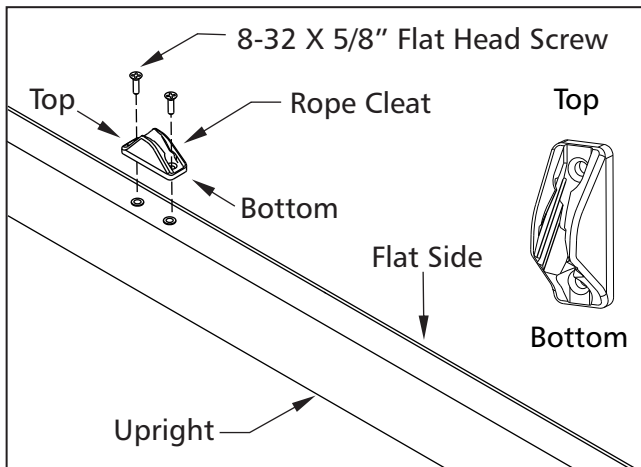
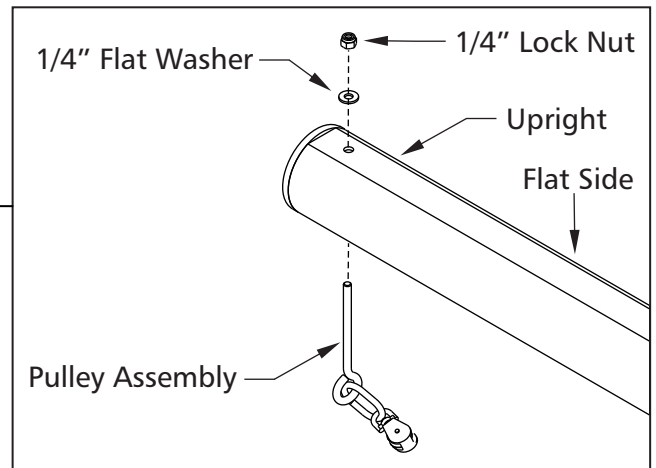
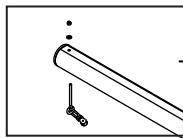
WARNING

THIS EQUIPMENT MUST BE STORED IN A SECURED, SHELTERED AREA WHEN NOT IN USE OR IN THE THREAT OF HIGH WINDS. ANY WEATHER DAMAGE TO THIS EQUIPMENT WILL NOT BE COVERED UNDER KWIK GOAL'S LIFETIME GUARANTEE. DO NOT LEAVE THIS EQUIPMENT UNATTENDED.

5. Fill each of the 16 heavy duty anchor bags with 40lbs of sand or gravel. Set 4 heavy duty anchor bags on each assembled base as shown.

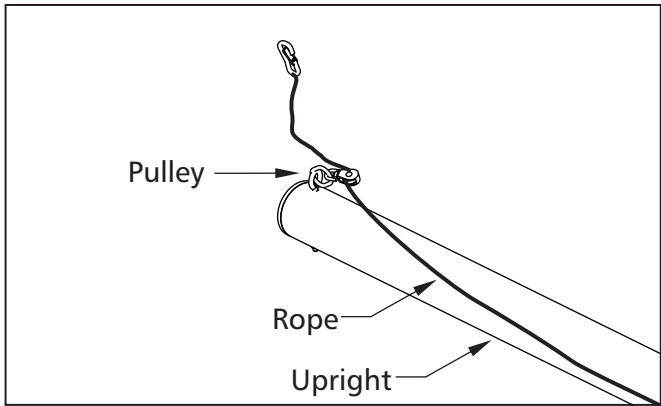


6. Attach parts to uprights as shown.
Note: The pulley assembly is on the opposite side of rope cleat.

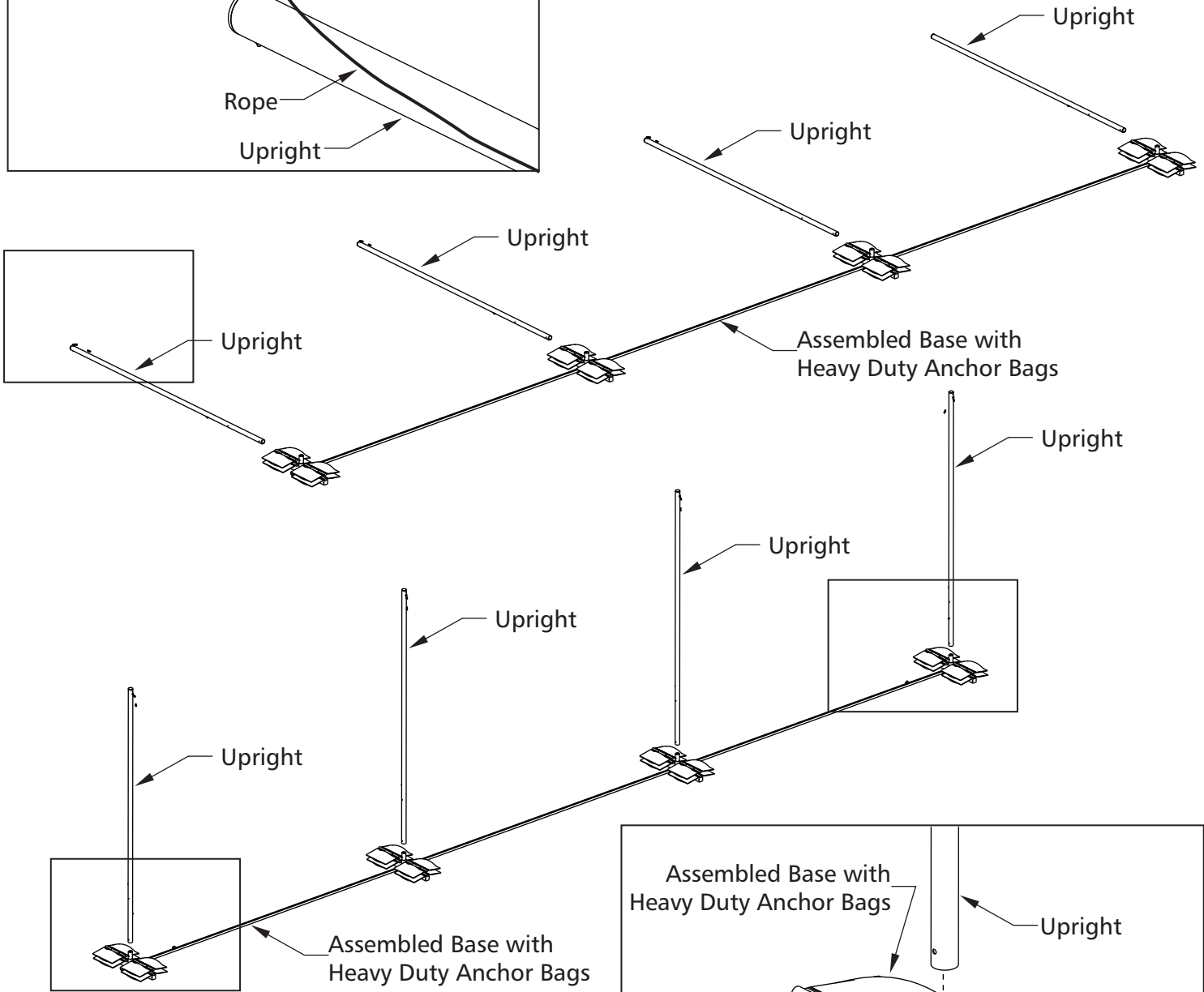


WARNING

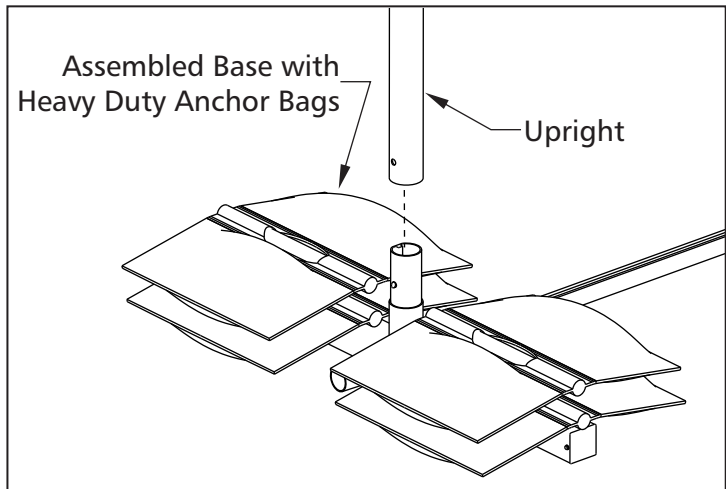
THIS EQUIPMENT MUST BE STORED IN A SECURED, SHELTERED AREA WHEN NOT IN USE OR IN THE THREAT OF HIGH WINDS. ANY WEATHER DAMAGE TO THIS EQUIPMENT WILL NOT BE COVERED UNDER KWIK GOAL'S LIFETIME GUARANTEE. DO NOT LEAVE THIS EQUIPMENT UNATTENDED.



7. Lay out uprights as shown and put rope through pulleys on each upright. Tie a snap link to the end of each rope as shown.

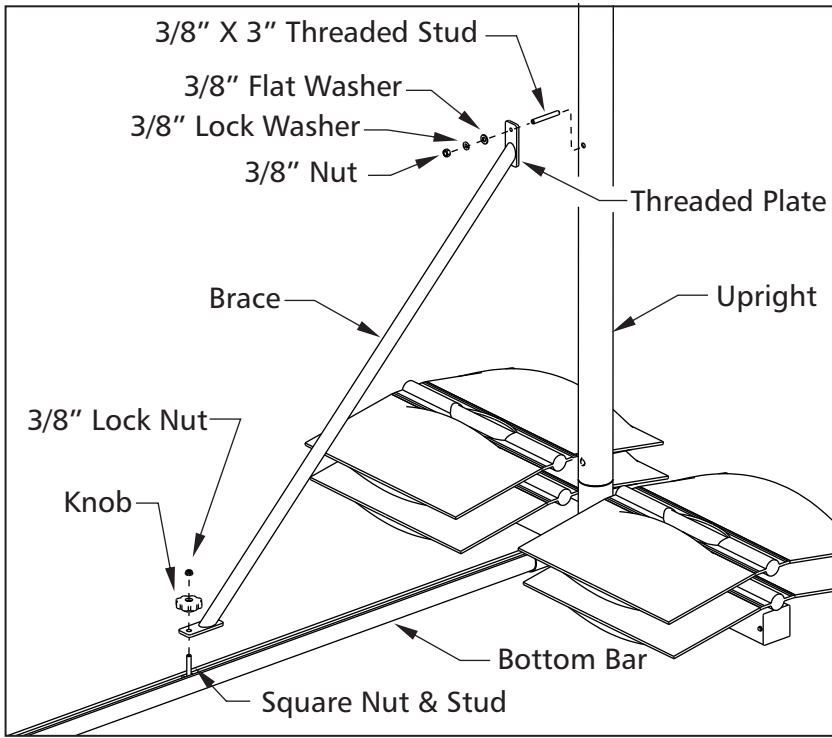


8. Lift each upright onto assembled weighted base, while holding both ends of rope to keep it from coming out of pulley.

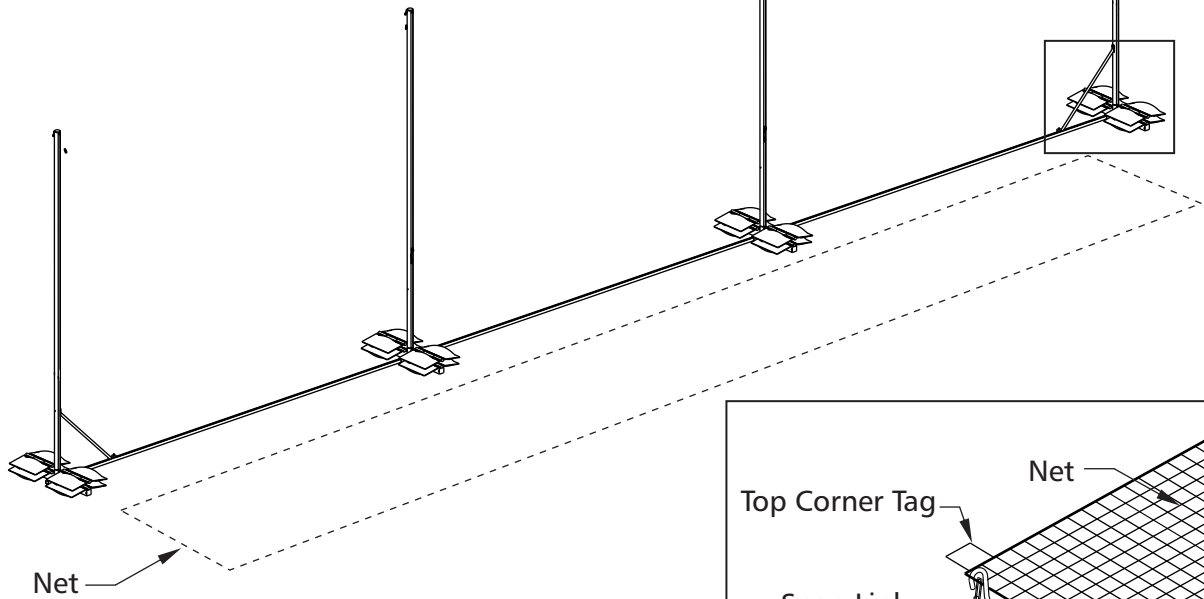
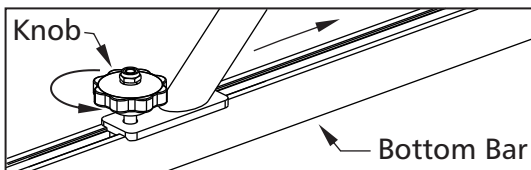
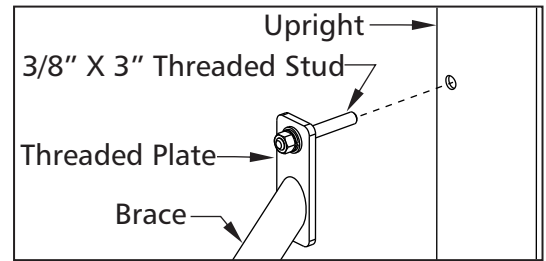


WARNING

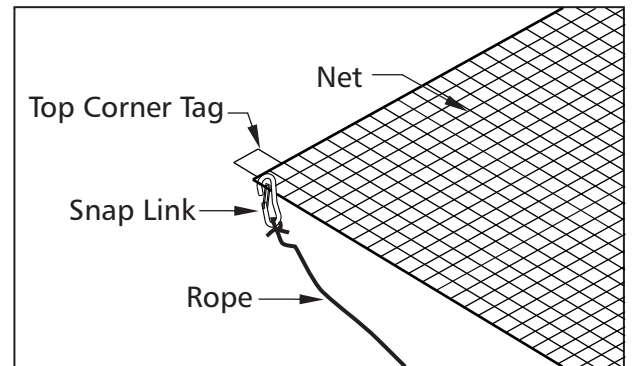
THIS EQUIPMENT MUST BE STORED IN A SECURED, SHELTERED AREA WHEN NOT IN USE OR IN THE THREAT OF HIGH WINDS. ANY WEATHER DAMAGE TO THIS EQUIPMENT WILL NOT BE COVERED UNDER KWIK GOAL'S LIFETIME GUARANTEE. DO NOT LEAVE THIS EQUIPMENT UNATTENDED.



9. Attach 3/8" X 3" threaded stud to brace on plate with threaded hole. With square nut & stud, attach braces to bottom bar using knob & 3/8" lock nut. NOTE: Tighten 3/8" lock nuts only until flush with end of stud so knob can turn. Loosen knob to slide brace to hold upright and when upright is plumb tighten knob to hold brace in place.



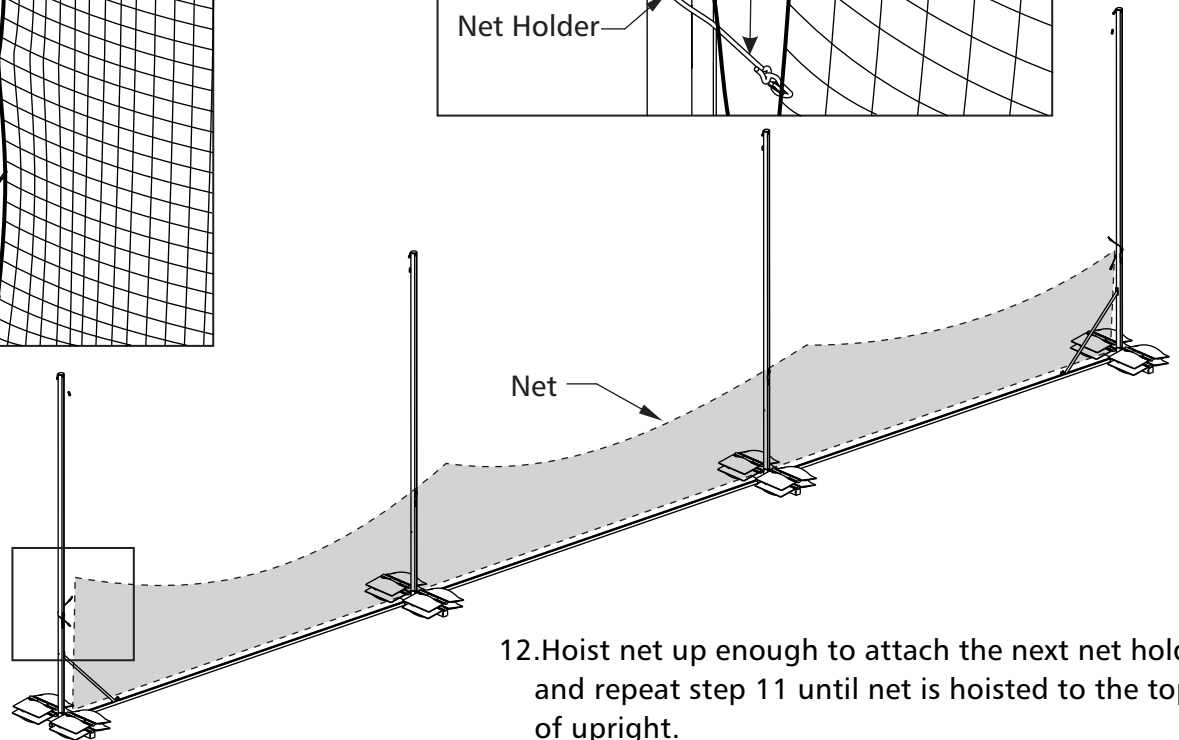
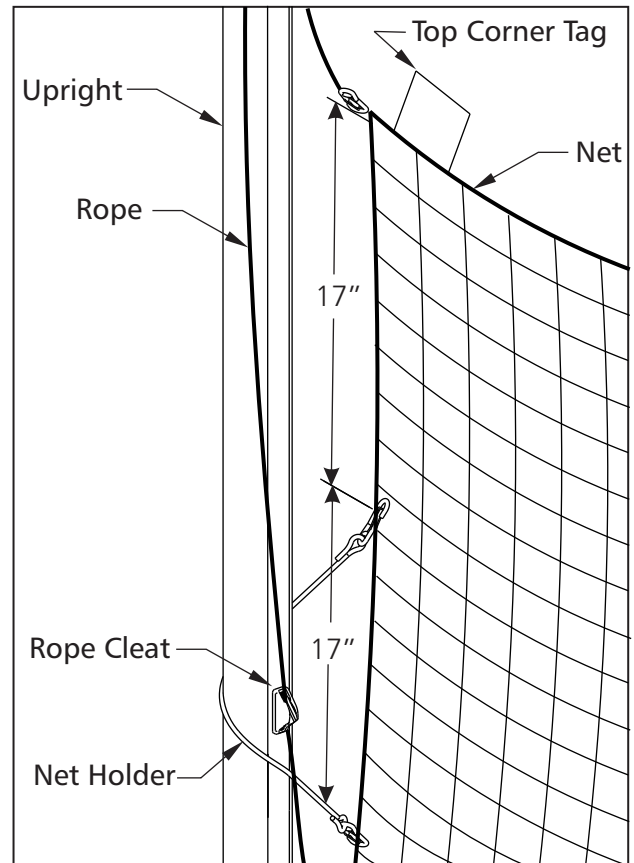
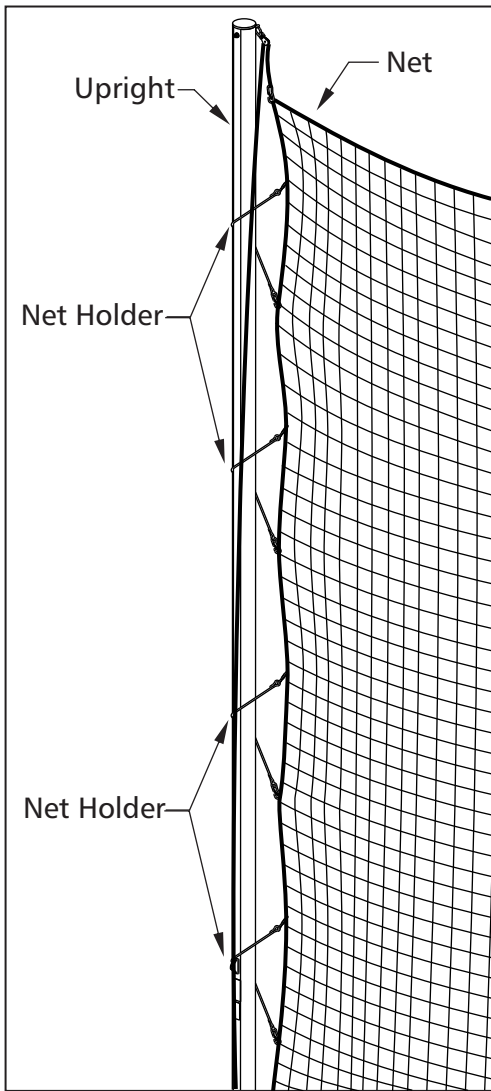
10. Lay out net out as shown. Clip rope to net in 4 locations.



WARNING

THIS EQUIPMENT MUST BE STORED IN A SECURED, SHELTERED AREA WHEN NOT IN USE OR IN THE THREAT OF HIGH WINDS. ANY WEATHER DAMAGE TO THIS EQUIPMENT WILL NOT BE COVERED UNDER KWIK GOAL'S LIFETIME GUARANTEE. DO NOT LEAVE THIS EQUIPMENT UNATTENDED.

11. Starting at one end, hoist net and attach net holders to the perimeter rope of net approximately 17" from the top corner. Then wrap net holder around upright and attach to the perimeter rope again 17" from the first clip.



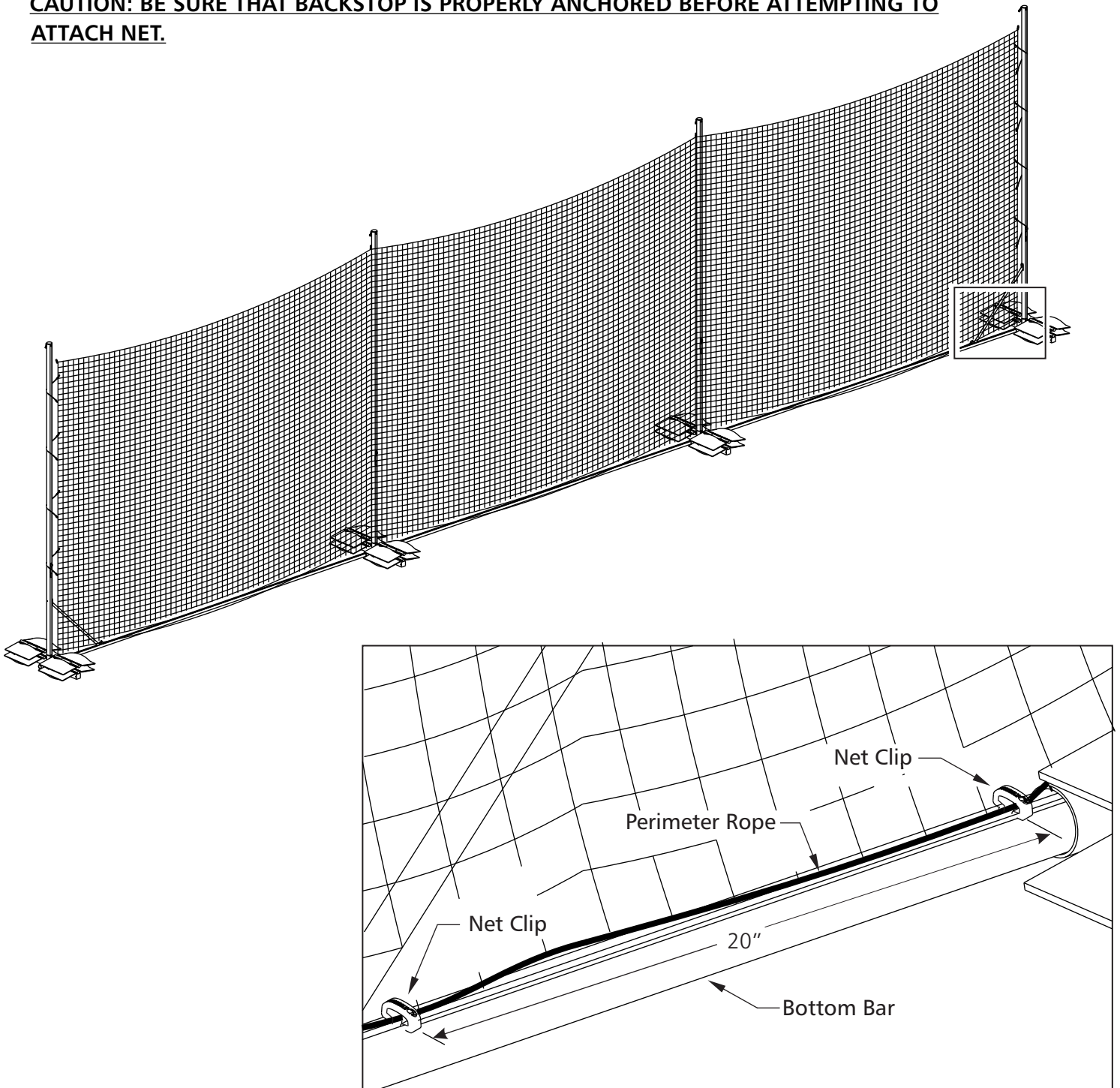
12. Hoist net up enough to attach the next net holder and repeat step 11 until net is hoisted to the top of upright. Repeat step 11 & 12 for other end upright.

WARNING

THIS EQUIPMENT MUST BE STORED IN A SECURED, SHELTERED AREA WHEN NOT IN USE OR IN THE THREAT OF HIGH WINDS. ANY WEATHER DAMAGE TO THIS EQUIPMENT WILL NOT BE COVERED UNDER KWIK GOAL'S LIFETIME GUARANTEE. DO NOT LEAVE THIS EQUIPMENT UNATTENDED.

13. Complete net raising by hoisting net on two center poles. To secure bottom of net, attach net to bottom bar of backstop with net clips. Place perimeter rope of net in clip and put base of clip into channel and turn 90 degrees to lock into place. Space net clips evenly throughout base, see below for approximate spacing.

CAUTION: BE SURE THAT BACKSTOP IS PROPERLY ANCHORED BEFORE ATTEMPTING TO ATTACH NET.

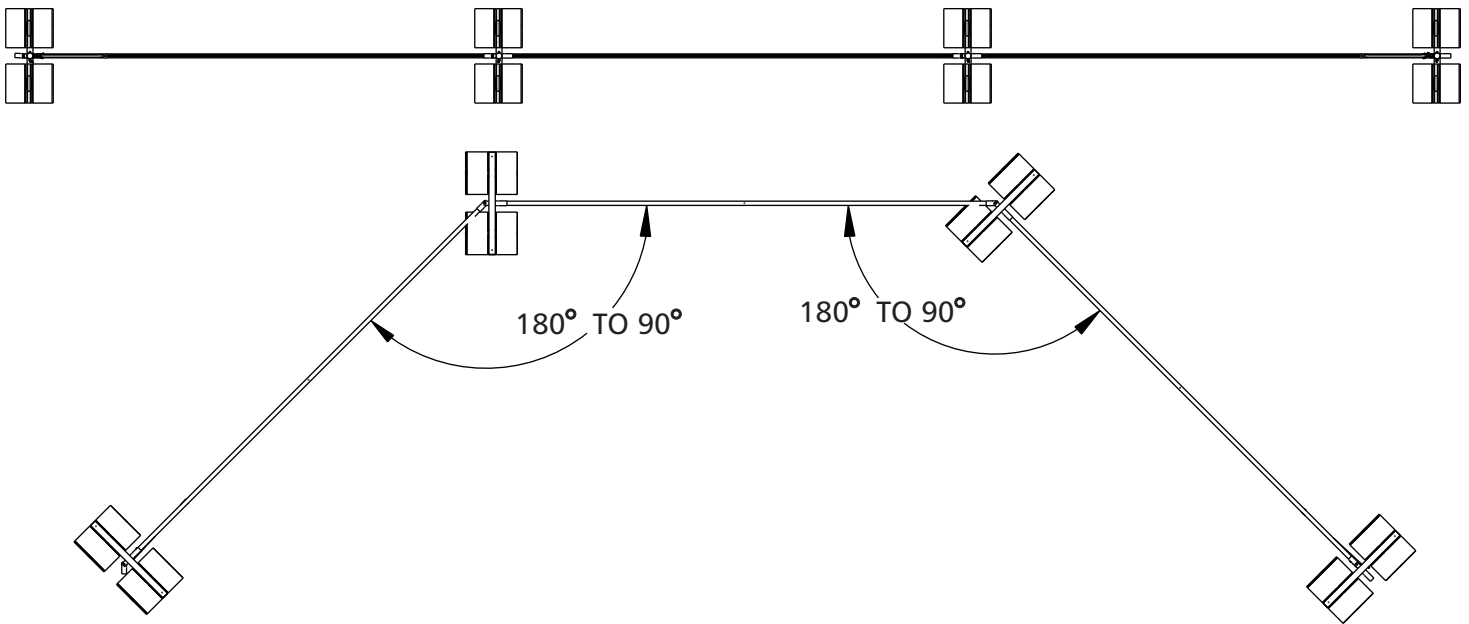


WARNING

THIS EQUIPMENT MUST BE STORED IN A SECURED, SHELTERED AREA WHEN NOT IN USE OR IN THE THREAT OF HIGH WINDS. ANY WEATHER DAMAGE TO THIS EQUIPMENT WILL NOT BE COVERED UNDER KWIK GOAL'S LIFETIME GUARANTEE. DO NOT LEAVE THIS EQUIPMENT UNATTENDED.

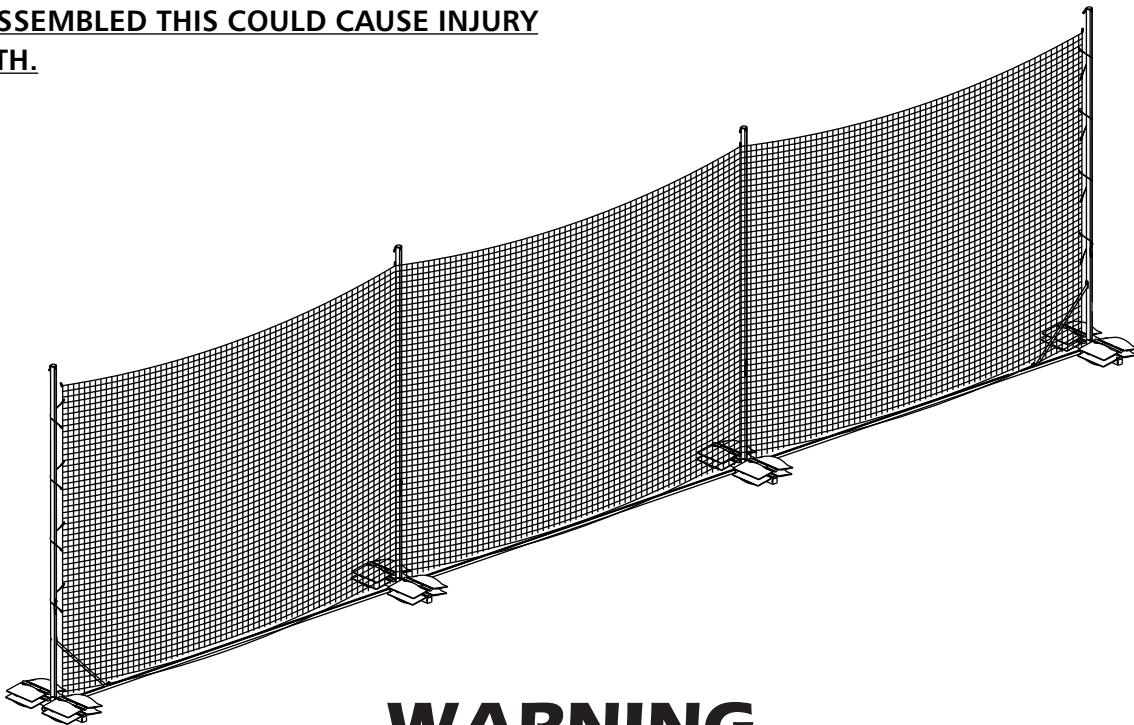
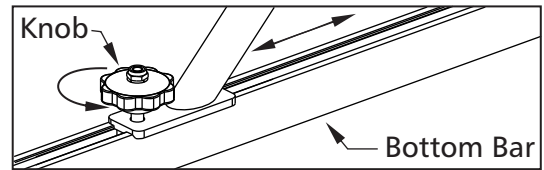
14. This unit can be set up to conform to irregular boundaries, such as arcs.

OVER HEAD VIEW



15. After first assembly this unit can be disassembled without any tools. Loosening the knob allows braces to slide in and out of bottom bar.

CAUTION: REMOVE NET AND UPRIGHT BEFORE ADJUSTING ANGLES. DO NOT MOVE UNIT WHEN FULLY ASSEMBLED THIS COULD CAUSE INJURY OR DEATH.



WARNING

THIS EQUIPMENT MUST BE STORED IN A SECURED, SHELTERED AREA WHEN NOT IN USE OR IN THE THREAT OF HIGH WINDS. ANY WEATHER DAMAGE TO THIS EQUIPMENT WILL NOT BE COVERED UNDER KWIK GOAL'S LIFETIME GUARANTEE. DO NOT LEAVE THIS EQUIPMENT UNATTENDED.