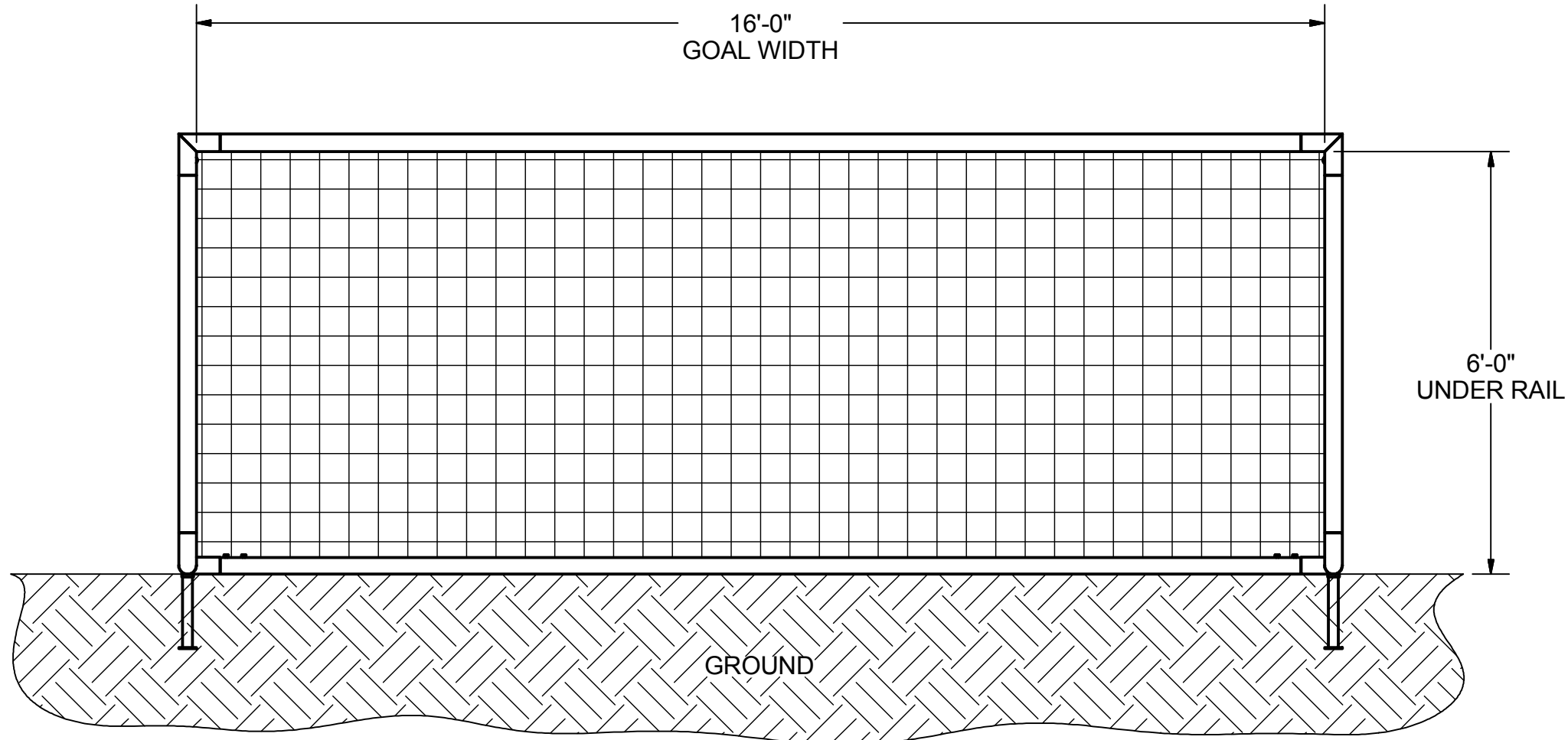
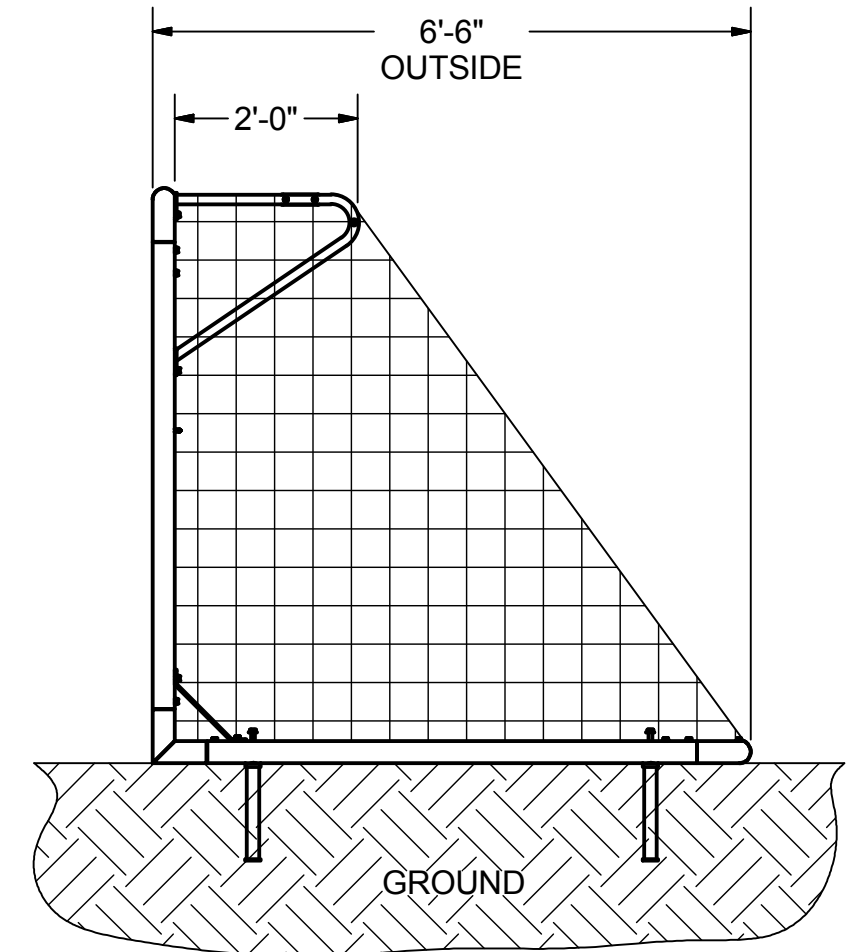


FRONT VIEW



SIDE VIEW



FEATURES:

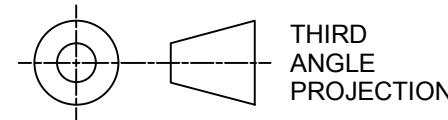
- 1) ALUMINUM GOAL FRAME AND BACKDROPS
- 2) FINISH: WHITE POWDER COAT
- 3) INCLUDED:
 - SEMI PERMANENT GROUND ANCHORS
 - 3 mm, WHITE NET
 - KWIK LOCK® NET CLIPS

4) ASSEMBLED GOAL WEIGHT: 105 LBS.

5) ASTM F2056-00 STANDARDS:

THIS GOAL DOES NOT FALL UNDER THE SCOPE OF ASTM F2056-00 BECAUSE OF IT'S SIZE AND/OR WEIGHT

Finish Info. White Powder Coat



KWIKGOAL® 140 Pacific Drive
Quakertown, Pa. 18951

DIMENSIONS ARE IN INCHES UNLESS OTHERWISE SPECIFIED

Approved By:
Date:

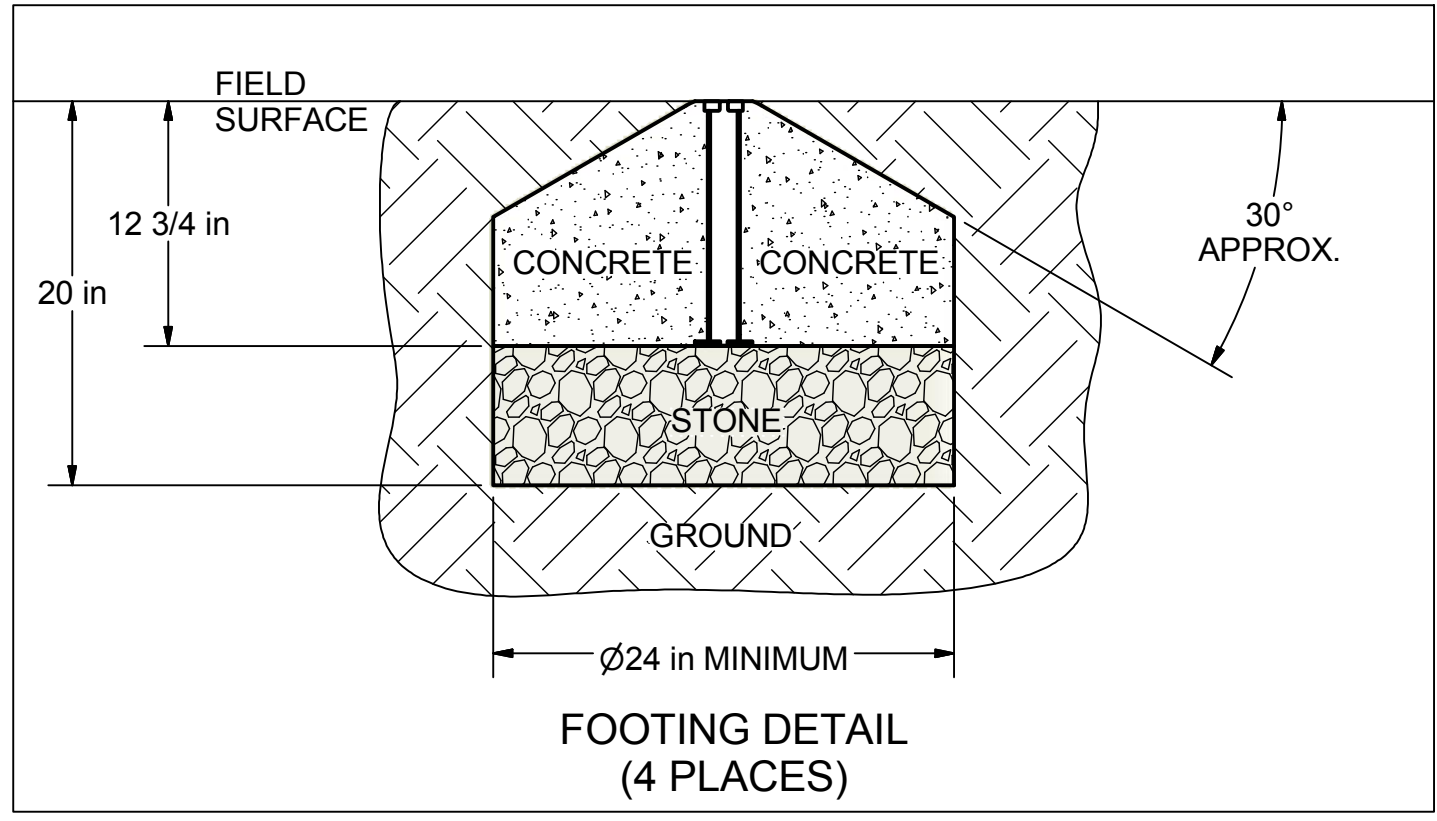
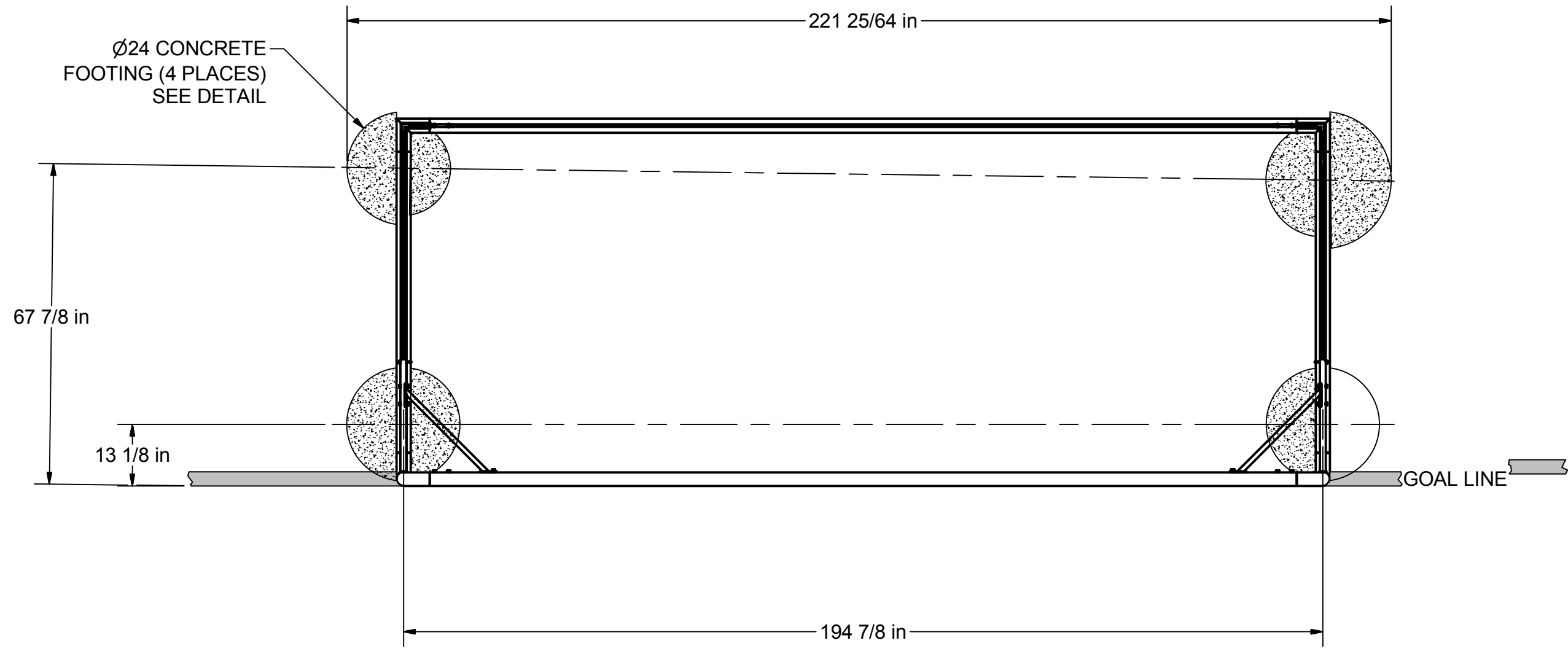
Part #:
25B15

This item is the **exclusive** property of **KWIK GOAL LTD.** Reproduction or duplication **without** the express written consent of **KWIK GOAL LTD.** is **strictly forbidden.**

Drawn By: brush
Date: 2/15/2007
Sheet: 1 of 4
Revision #: 4
Cad File: 25B15.idw

Desc:
6' X 16" CANADIAN DELUXE EURO CLUB

OVERHEAD VIEW



NOTES:

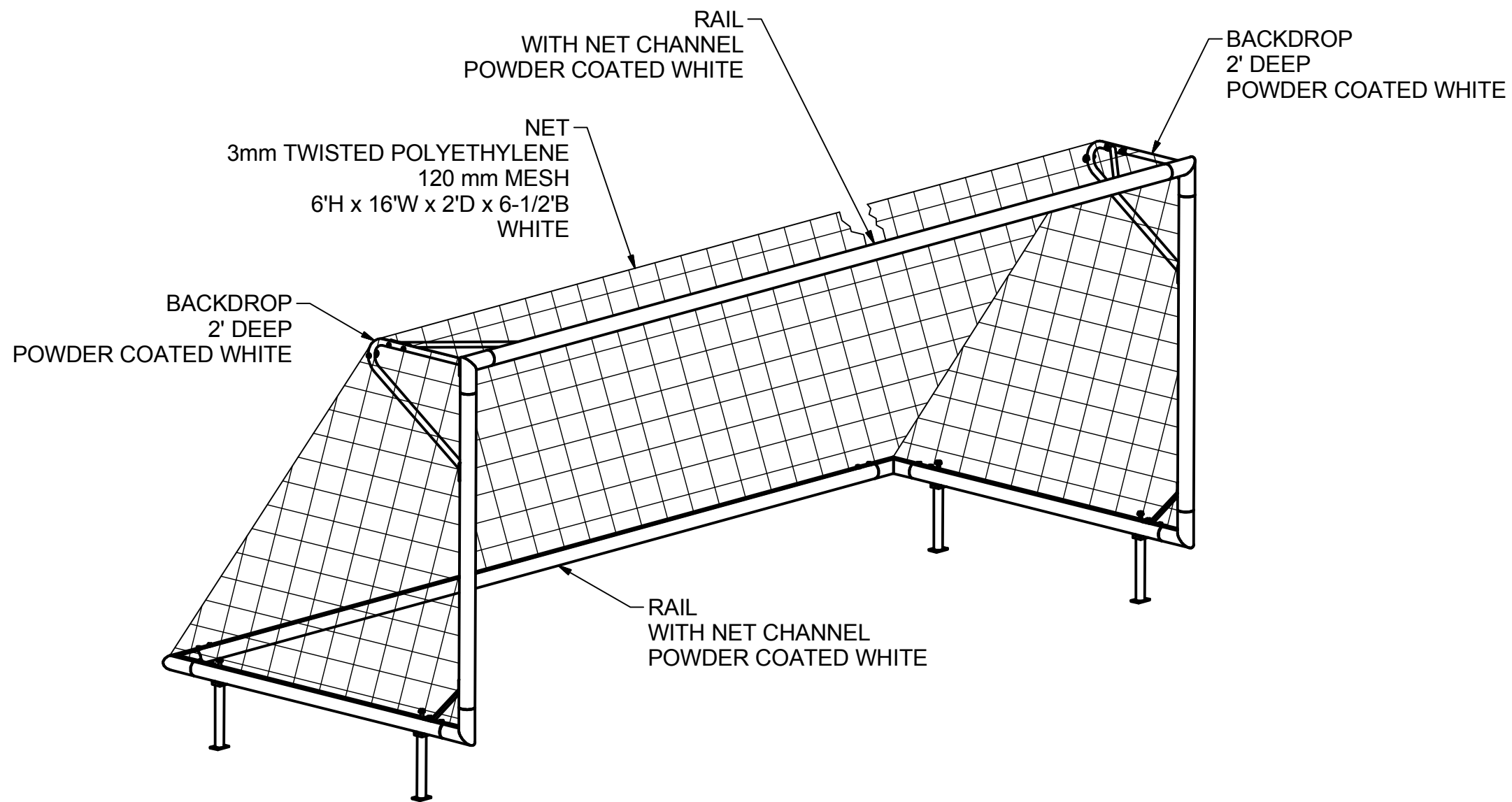
1) DIMENSIONS ARE FOR PLANNING PURPOSES. INSTALLATION MUST BE IN ACCORDANCE WITH INSTALLATION INSTRUCTIONS.

MATERIAL REQUIRED, BUT **NOT** SUPPLIED

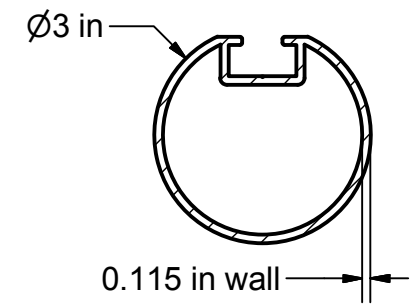
0.5 cubic yard - CONCRETE
 0.3 cubic yard - CLEAN STONE (1/4" - 3/4")
 ABOVE AMOUNTS ARE PER GOAL INSTALLATION

Finish Info. White Powder Coat

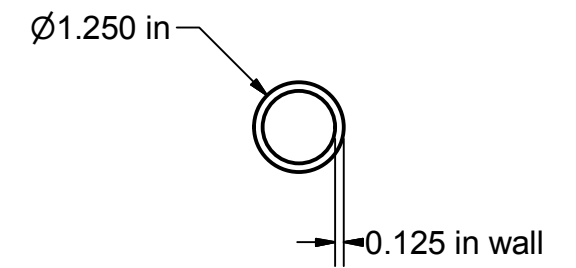
<p>THIRD ANGLE PROJECTION</p>	<p>140 Pacific Drive Quakertown, Pa. 18951</p>	
	<p>DIMENSIONS ARE IN INCHES UNLESS OTHERWISE SPECIFIED</p>	<p>Approved By:</p> <p>Date:</p>
<p>This item is the exclusive property of KWIK GOAL LTD. Reproduction or duplication without the express written consent of KWIK GOAL LTD. is strictly forbidden.</p>	<p>Drawn By: brush</p> <p>Date: 2/15/2007</p> <p>Sheet: 2 of 4</p> <p>Revision #: 4</p> <p>Cad File: 25B15.idw</p>	<p>Desc:</p> <p>6' X 16" CANADIAN DELUXE EURO CLUB</p>



MATERIAL DETAILS

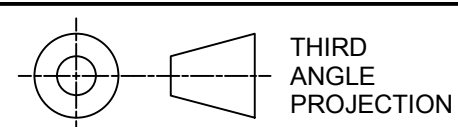


GOAL FRAME MATERIAL - ALUMINUM



BACKDROP MATERIAL - ALUMINUM

Finish Info. White Powder Coat



KWIKGOAL® 140 Pacific Drive
Quakertown, Pa. 18951

DIMENSIONS ARE IN INCHES UNLESS OTHERWISE SPECIFIED

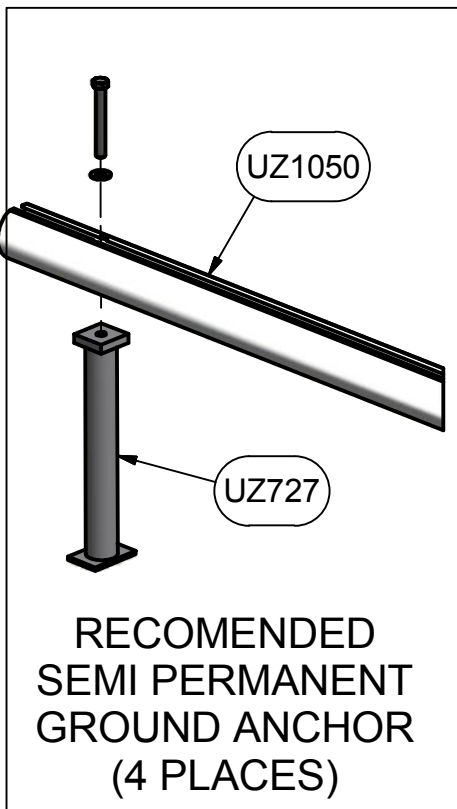
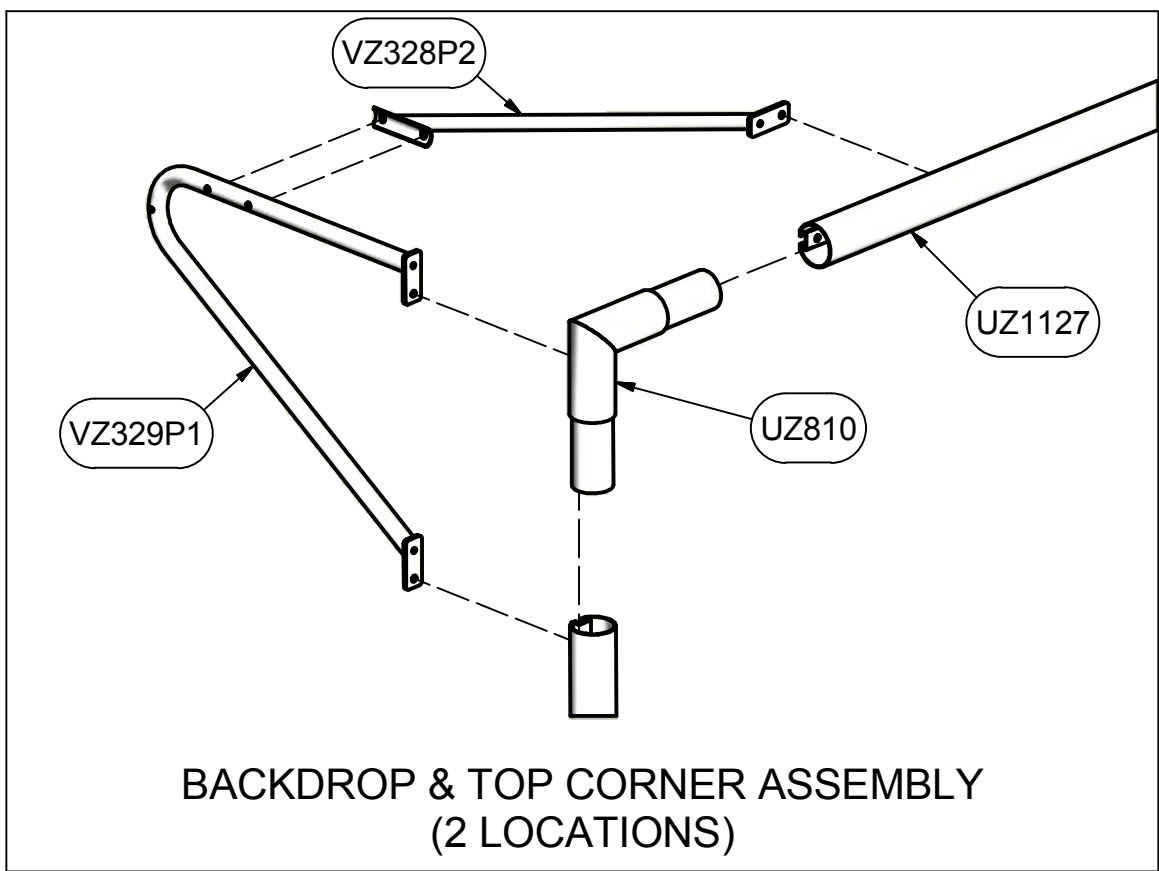
Approved By:
Date:

Part #:
25B15

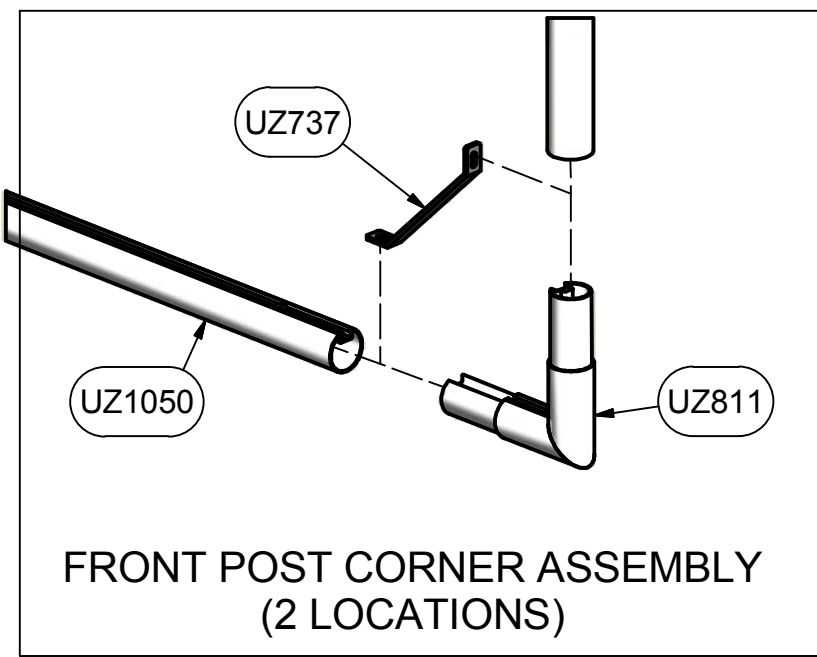
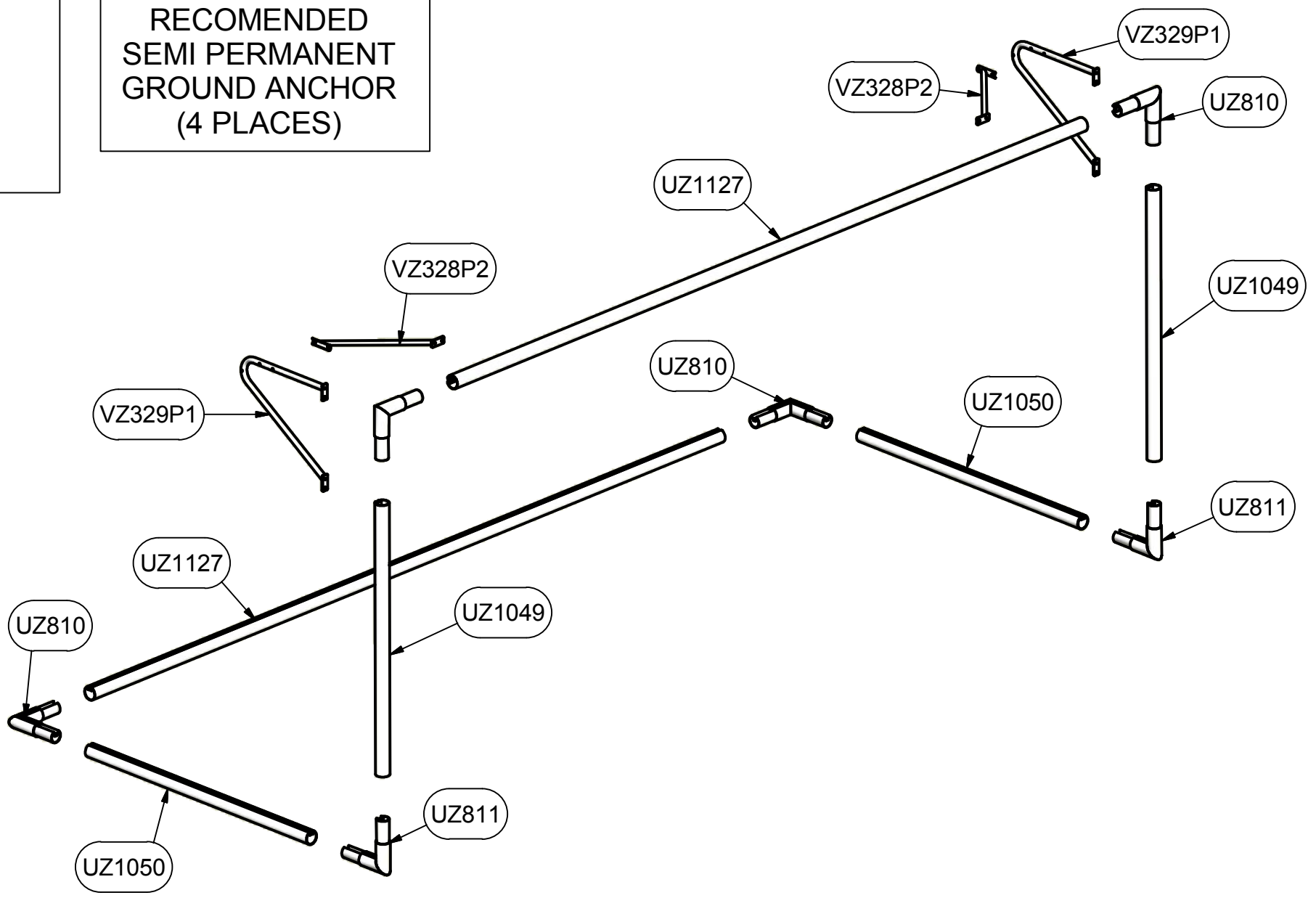
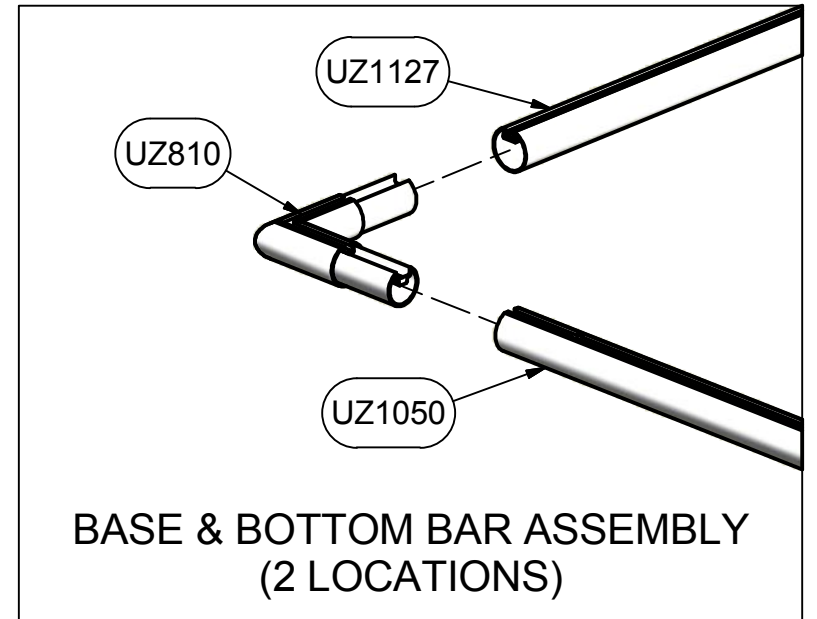
This item is the **exclusive** property of **KWIK GOAL LTD.** Reproduction or duplication **without** the express written consent of **KWIK GOAL LTD.** is **strictly forbidden.**

Drawn By: brush
Date: 2/15/2007
Sheet: 3 of 4
Revision #: 4
Cad File: 25B15.idw

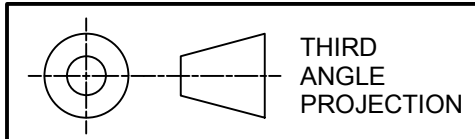
Desc:
6' X 16" CANADIAN DELUXE EURO CLUB



Parts List		
Part #	Qty	Description
UZ1127	2	25B15 RAIL (C)
UZ810	4	RAIL CORNER, EURO CLUB
UZ811	2	POST CORNER, EURO CLUB
UZ737	2	Front Post Brace
UZ727	4	GROUND ANCHOR ASSEMBLY
VZ328P2	2	BACKSTAY BRACE
VZ329P1	2	BACKSTAY
25B15A	1	NET, 3MM ROPE, 120MM MESH
UZ1050	2	Base, 25B15
UZ1049	2	Front Post, 25B15



Finish Info. White Powder Coat



KWIKGOAL 140 Pacific Drive
Quakertown, Pa. 18951

DIMENSIONS ARE IN INCHES UNLESS OTHERWISE SPECIFIED

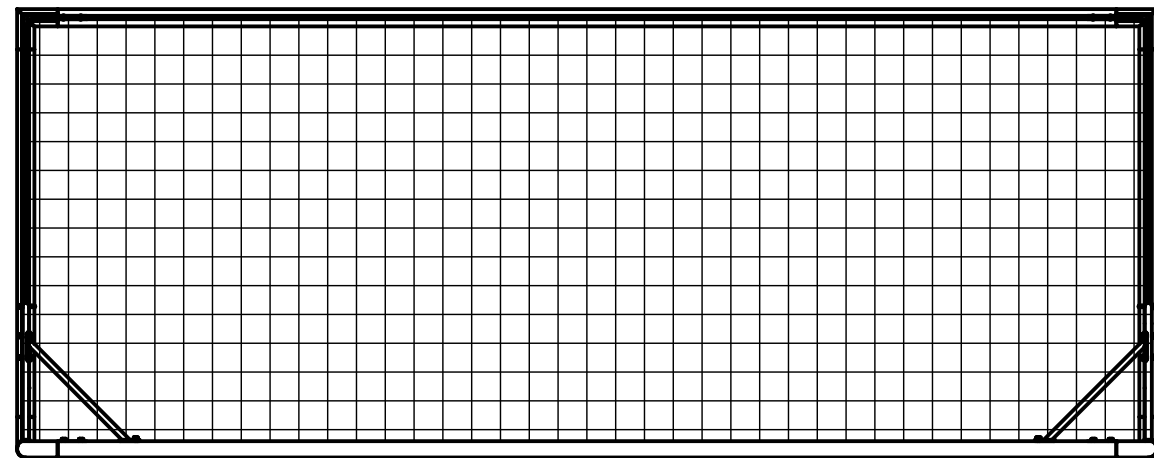
Approved By:
Date:

Part #:
25B15

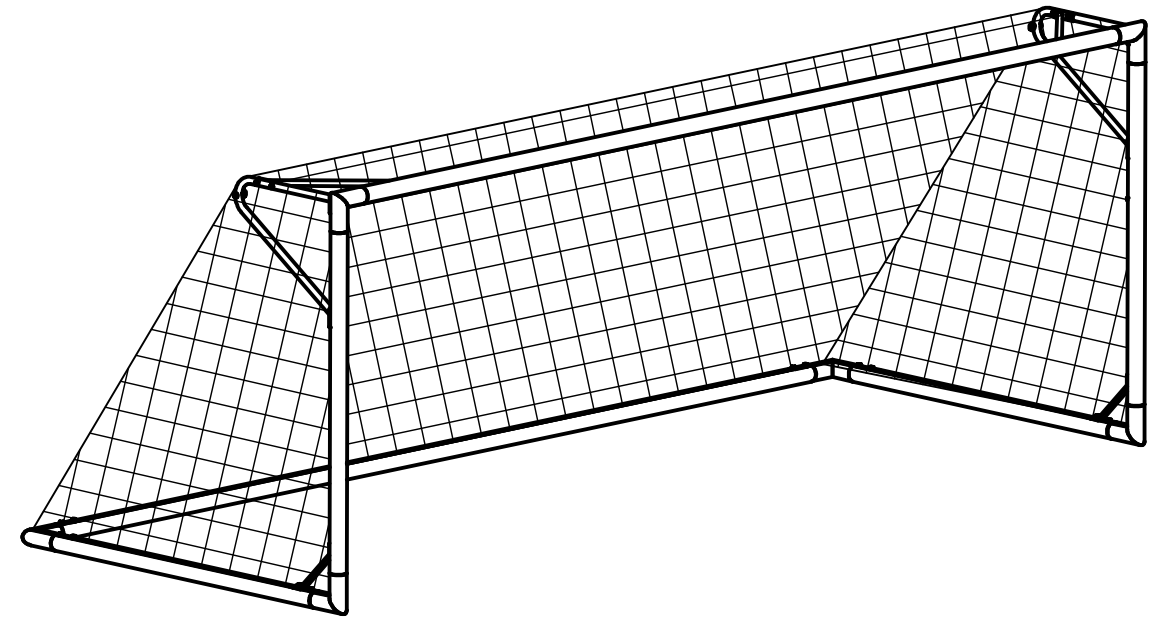
This item is the **exclusive** property of **KWIK GOAL LTD.** Reproduction or duplication **without** the express written consent of **KWIK GOAL LTD.** is **strictly forbidden.**

Drawn By: brush
Date: 2/15/2007
Sheet: 4 of 4
Revision #: 4
Cad File: 25B15.idw

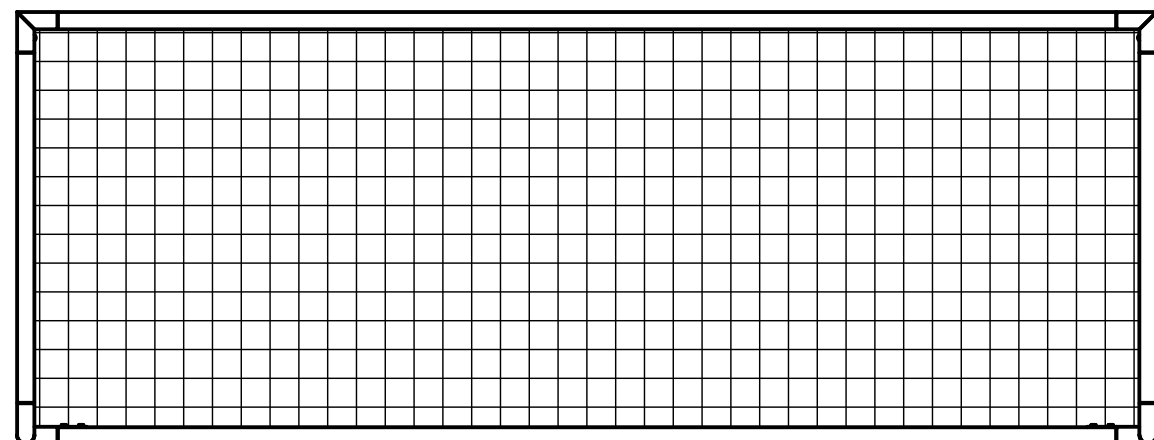
Desc:
6' X 16" CANADIAN DELUXE EURO CLUB



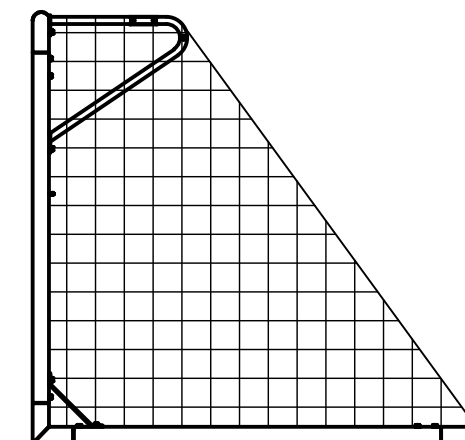
KWIK GOAL LTD.
25B15
TOP VIEW



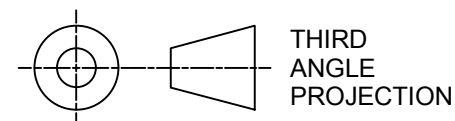
KWIK GOAL LTD.
25B15
ISOMETRIC VIEW



KWIK GOAL LTD.
25B15
FRONT VIEW



KWIK GOAL LTD.
25B15
RIGHT VIEW



THIRD
ANGLE
PROJECTION

KWIKGOAL[®] 140 Pacific Drive
Quakertown,
Pa. 18951

DIMENSIONS ARE IN INCHES
UNLESS OTHERWISE SPECIFIED

Approved By:
Date:

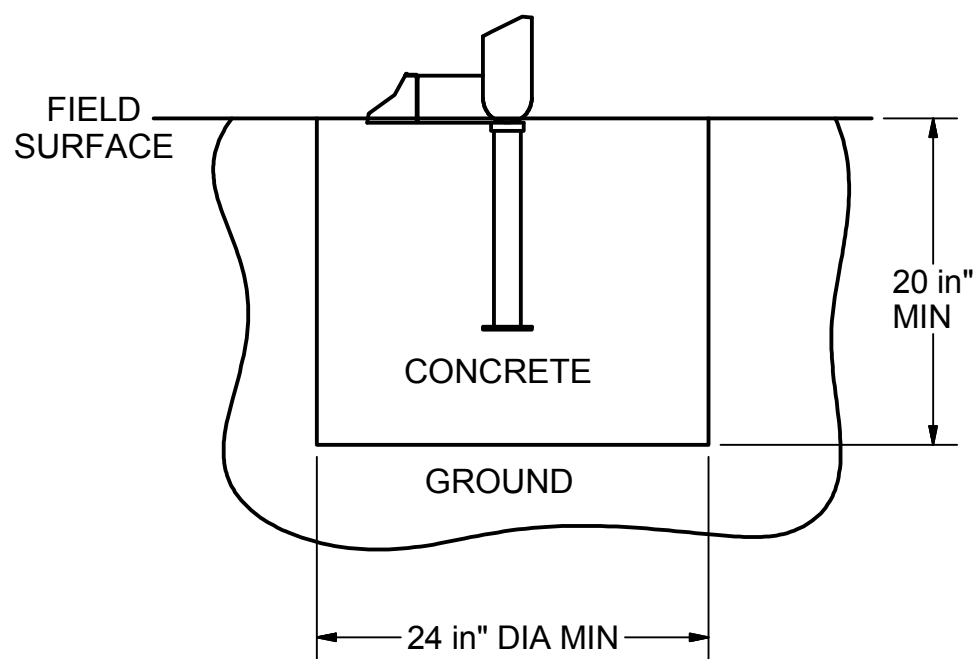
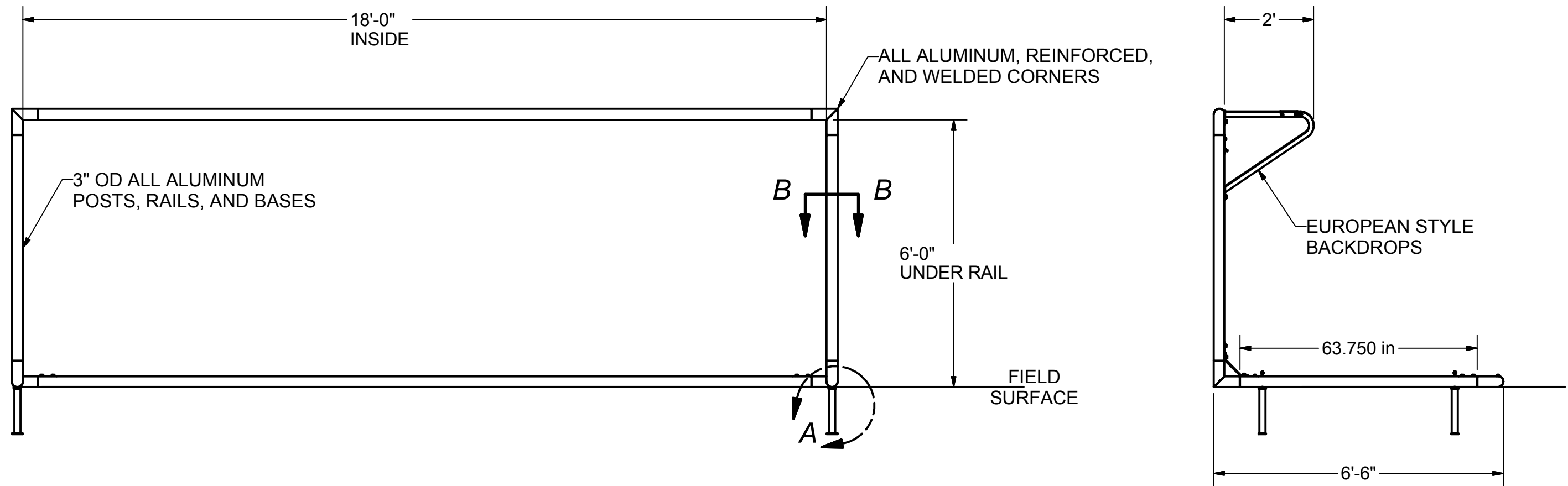
Part #:
25B15

This item is the **exclusive**
property of **KWIK GOAL LTD.**
Reproduction or duplication
without the express written
consent of **KWIK GOAL LTD.**
is **strictly forbidden.**

Drawn By: brush
Date: 2/15/2007
Sheet: of 4
Revision #: 4
Cad File: 25B15.idw

Desc:
6' X 16" CANADIAN DELUXE
EURO CLUB

Finish Info. White Powder Coat



DETAIL A

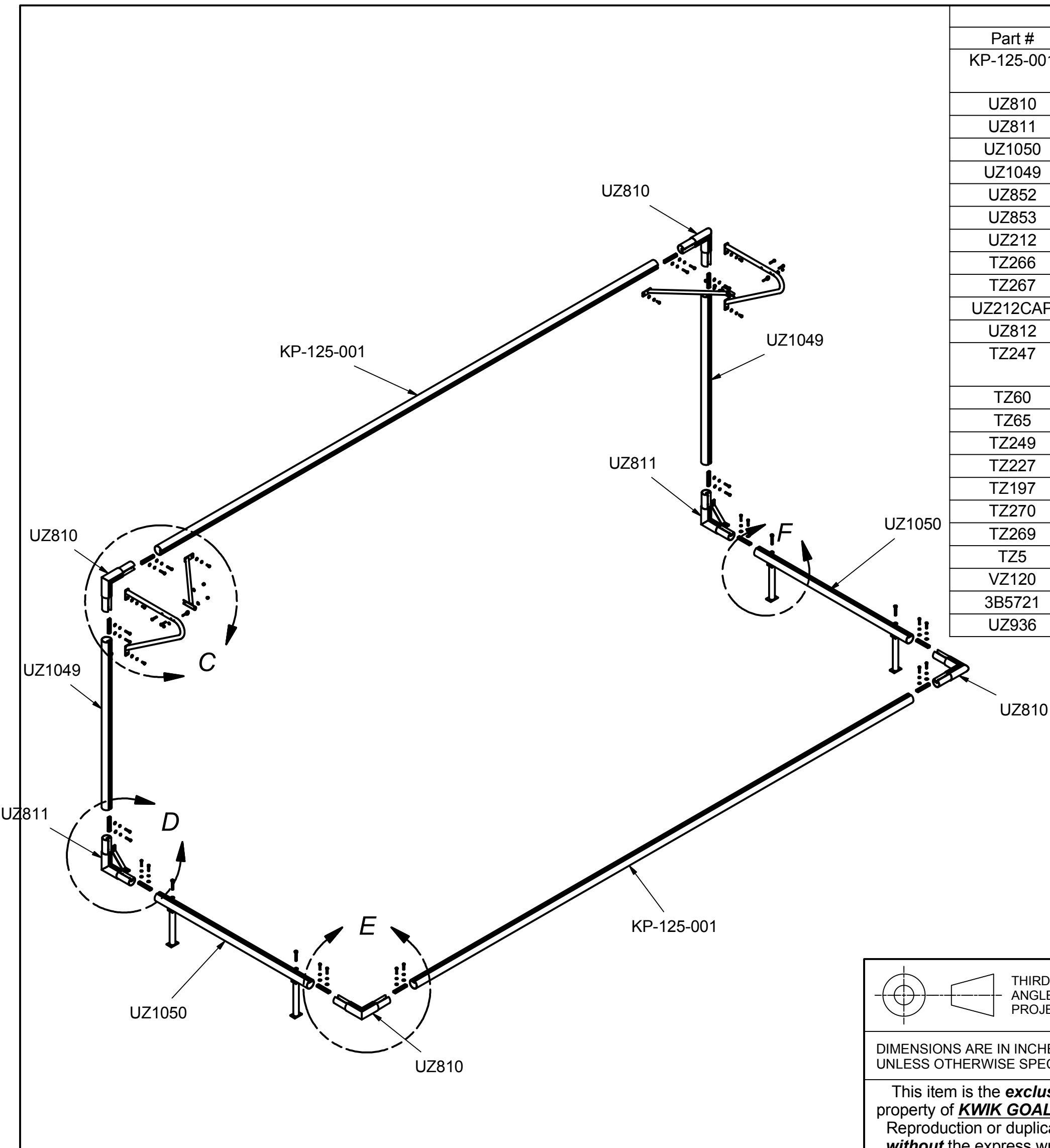
SECTION B-B

NOTES:

- 1) GROUND ANCHORS, NET, AND NET CLIPS INCLUDED.
- 2) WEIGHT: 126 LBS. PER GOAL, INCLUDING NET.

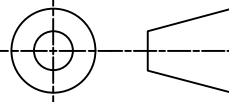
<p>THIRD ANGLE PROJECTION</p>	<p>140 Pacific Drive Quakertown, Pa. 18951</p>	
	<p>DIMENSIONS ARE IN INCHES UNLESS OTHERWISE SPECIFIED</p>	<p>Approved By:</p> <p>Date:</p>
<p>This item is the exclusive property of KWIK GOAL LTD. Reproduction or duplication without the express written consent of KWIK GOAL LTD. is strictly forbidden.</p>	<p>Drawn By: brush</p>	<p>Desc:</p> <p>6' X 18' CANADIAN DELUXE EURO CLUB</p>
	<p>Date: 2/15/2007</p>	
	<p>Sheet: of 4</p>	
	<p>Revision #: 4</p>	
<p>Cad File: 25B15.idw</p>		

Finish Info. White Powder Coat



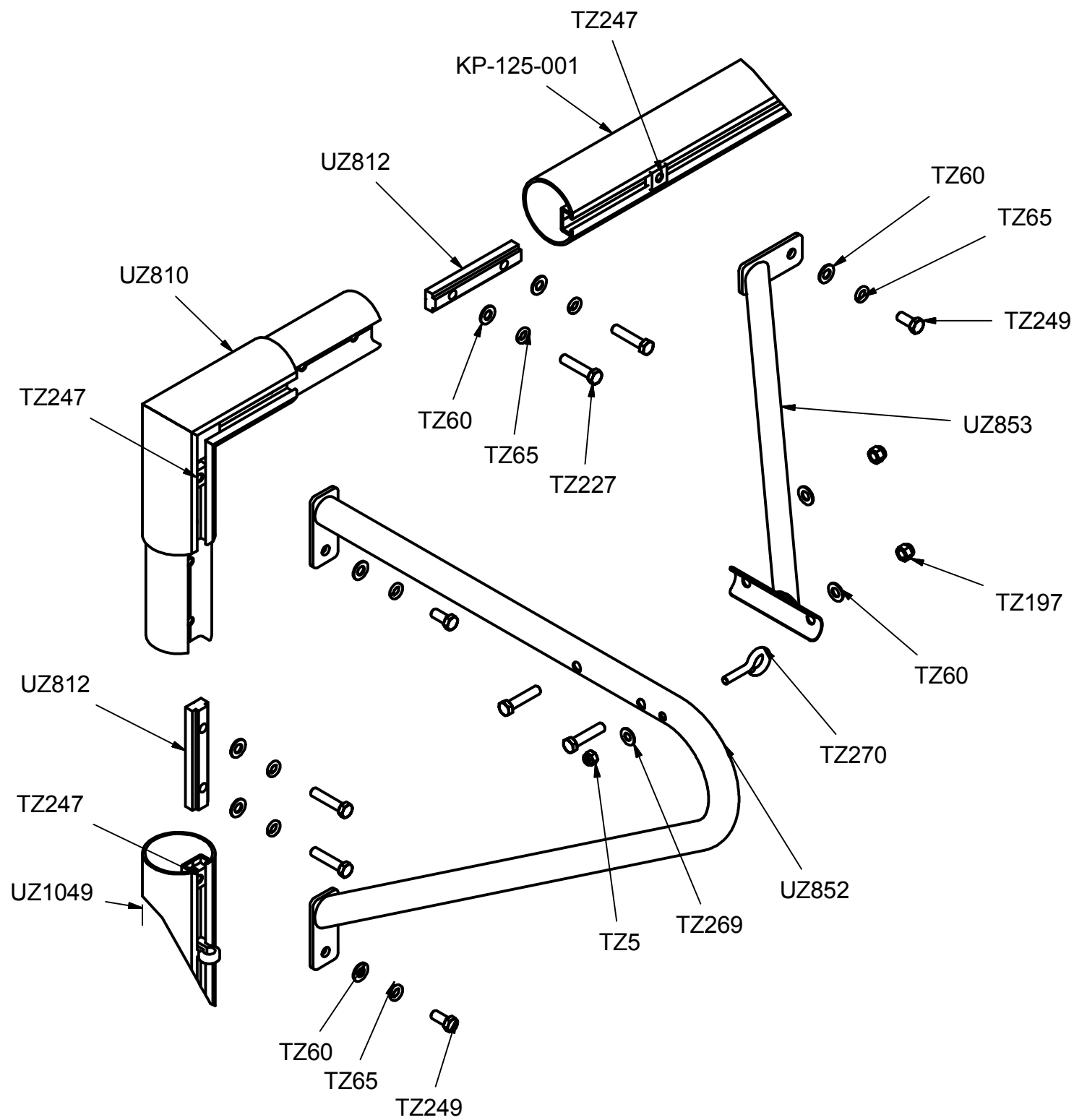
Parts List			
Part #	Qty	Description	Material
KP-125-001	2	RAIL, CUSTOM EURO CLUB, 18' WIDE	ALUMINUM
UZ810	4	RAIL CORNER, EURO CLUB	ALUMINUM
UZ811	2	POST CORNER, EURO CLUB	ALUMINUM
UZ1050	2	Base, 25B15	ALUMINUM
UZ1049	2	Front Post, 25B15	ALUMINUM
UZ852	2	Backdrop	ALUMINUM
UZ853	2	Backdrop Brace	ALUMINUM
UZ212	4	GROUND ANCHOR ASSEMBLY	ZINC PLATED STEEL
TZ266	1	1/2 Flat Washer	Stainless Steel
TZ267	1	1/2-13 x 3 HEX BOLT	Stainless Steel, 304
UZ212CAP	1	CAPLUG CPT-4	Polyethelene, Orange
UZ812	12	CHANNEL SPACER	Delrin, White
TZ247	6	3/8-16 Square Nut	STEEL, ZINC PLATED
TZ60	34	3/8 Flat Washer	Stainless Steel, 316
TZ65	30	3/8 Lock Washer	Stainless Steel, 316
TZ249	6	3/8-16 x 7/8 Hex Bolt	Stainless Steel, 316
TZ227	28	3/8-16 x 1 3/4 Hex Bolt	Stainless Steel, 316
TZ197	4	3/8-16 Lock Nut	Zinc Plated Steel
TZ270	2	5/16 x 1 1/2 Eyebolt	Stainless Steel
TZ269	2	5/16 Flat Washer	Stainless Steel, 316
TZ5	2	5/16-18 Lock Nut	Zinc Plated Steel
VZ120	80	Net Clip	Delrin, White
3B5721	1	Net, 3mm	Polyethylene, White
UZ936	2	POST BRACE	Zinc Plated Steel

Finish Info. White Powder Coat

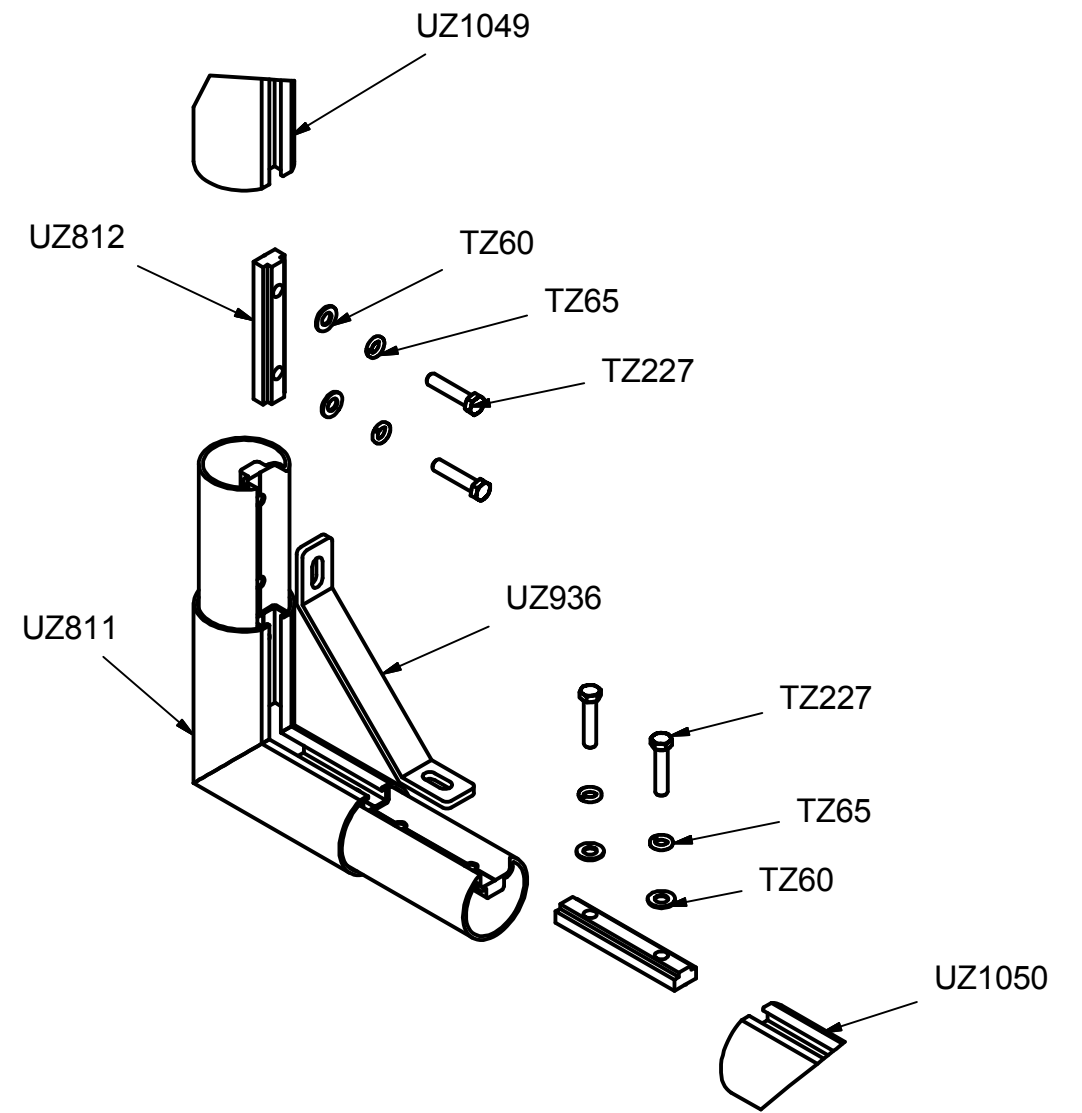

 THIRD ANGLE PROJECTION
 DIMENSIONS ARE IN INCHES UNLESS OTHERWISE SPECIFIED
 This item is the **exclusive** property of **KWIK GOAL LTD.** Reproduction or duplication **without** the express written consent of **KWIK GOAL LTD.** is **strictly forbidden.**


KWIKGOAL® 140 Pacific Drive
 Quakertown, Pa. 18951
 Approved By: _____
 Date: _____
 Drawn By: brush
 Date: 2/15/2007
 Sheet: _____ of 4
 Revision #: 4
 Cad File: 25B15.idw

Part #: **KP-125-000**
 Desc: 6' X 18' CANADIAN DELUXE EURO CLUB

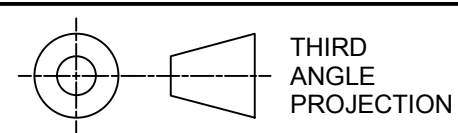


DETAIL C



DETAIL D

Finish Info. White Powder Coat



THIRD ANGLE PROJECTION

KWIKGOAL® 140 Pacific Drive
Quakertown, Pa. 18951

DIMENSIONS ARE IN INCHES UNLESS OTHERWISE SPECIFIED

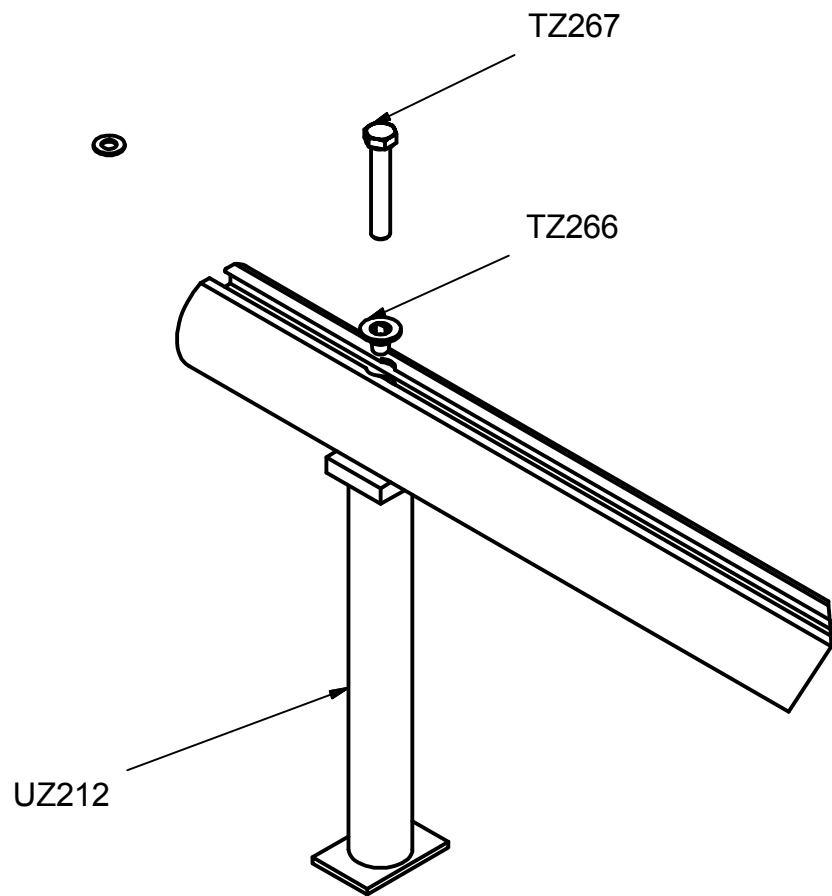
Approved By:
Date:

Part #:
KP-125-000

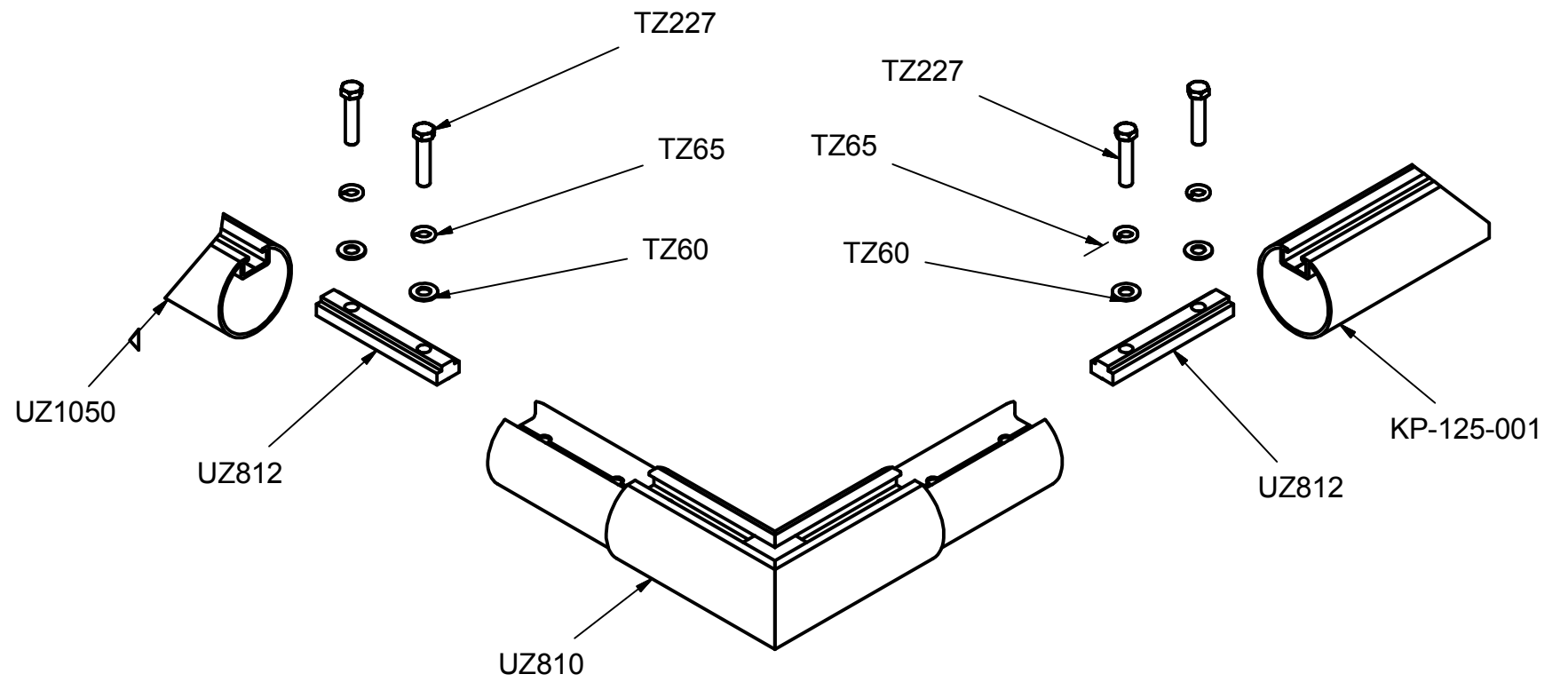
This item is the **exclusive** property of **KWIK GOAL LTD.** Reproduction or duplication **without** the express written consent of **KWIK GOAL LTD.** is **strictly forbidden.**

Drawn By: brush
Date: 2/15/2007
Sheet: of 4
Revision #: 4
Cad File: 25B15.idw

Desc:
6' X 18' CANADIAN DELUXE EURO CLUB

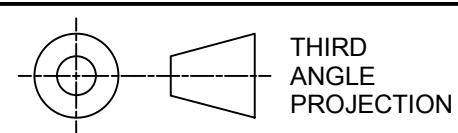


DETAIL F



DETAIL E

Finish Info. White Powder Coat



THIRD
ANGLE
PROJECTION



KWIKGOAL

140 Pacific Drive
Quakertown,
Pa. 18951

DIMENSIONS ARE IN INCHES
UNLESS OTHERWISE SPECIFIED

This item is the **exclusive**
property of **KWIK GOAL LTD.**
Reproduction or duplication
without the express written
consent of **KWIK GOAL LTD.**
is **strictly forbidden.**

Approved By:

Date:

Drawn By: brush

Date: 2/15/2007

Sheet: of 4

Revision #: 4

Cad File: 25B15.idw

Part #:

KP-125-000

Desc:

6' X 18' CANADIAN DELUXE
EURO CLUB