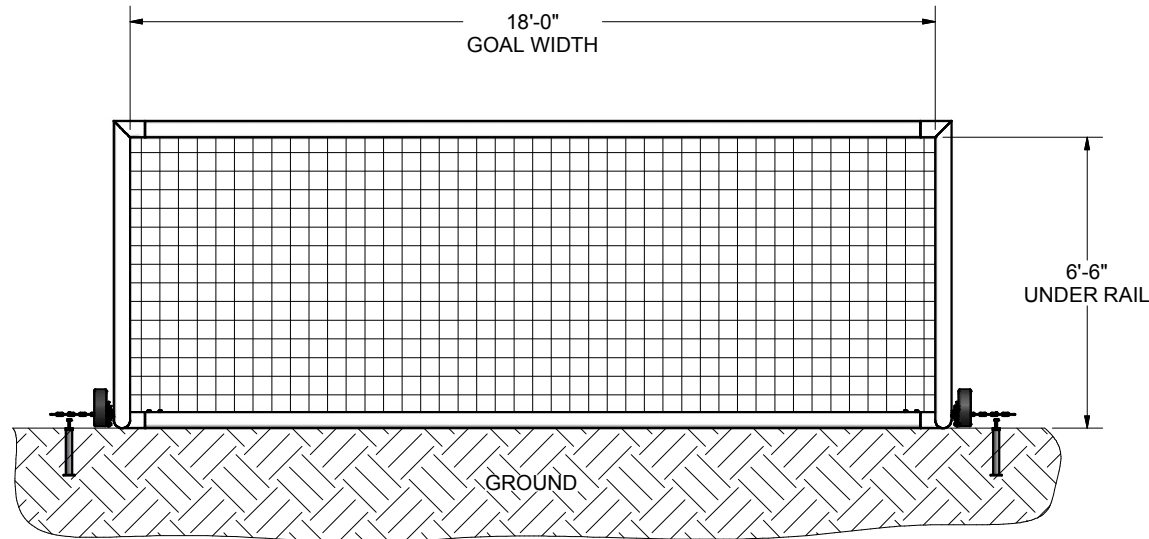
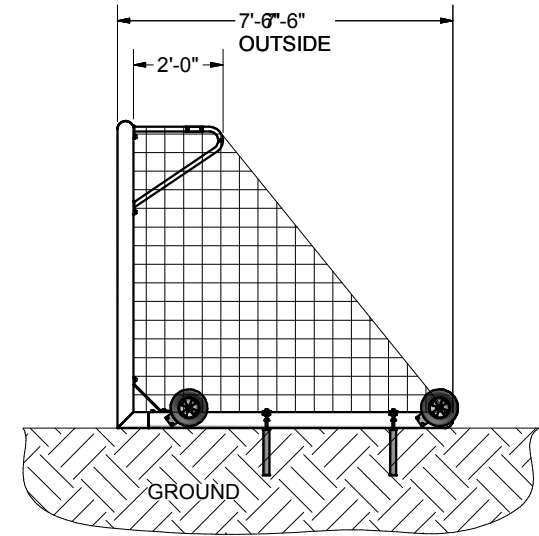


FRONT VIEW



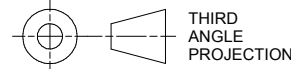
SIDE VIEW



FEATURES:

- 1) ALUMINUM GOAL FRAME AND BACKDROPS
- 2) FINISH: WHITE POWDER COAT
- 3) INCLUDED:
 - SEMI PERMANENT GROUND ANCHORS
 - 3 mm, WHITE NET
 - KWIK LOCK® NET CLIPS
 - 4 RELIANCE TURF PRO NO-FLAT TIRES
- 4) ASSEMBLED GOAL WEIGHT: 210 LBS.
- 5) EXCEEDS:
 - ASTM F2056-00 STANDARDS

Finish Info. White Powder Coat



THIRD
ANGLE
PROJECTION

KWIKGOAL® 140 Pacific Drive
Quakertown,
Pa. 18951

DIMENSIONS ARE IN INCHES
UNLESS OTHERWISE SPECIFIED

Approved By:

Part #:

Date:

25B18

This item is the **exclusive**
property of **KWIK GOAL LTD.**
Reproduction or duplication
without the express written
consent of **KWIK GOAL LTD.**
is **strictly forbidden.**

Drawn By: KFRisch

Desc:

Date: 10/15/2010

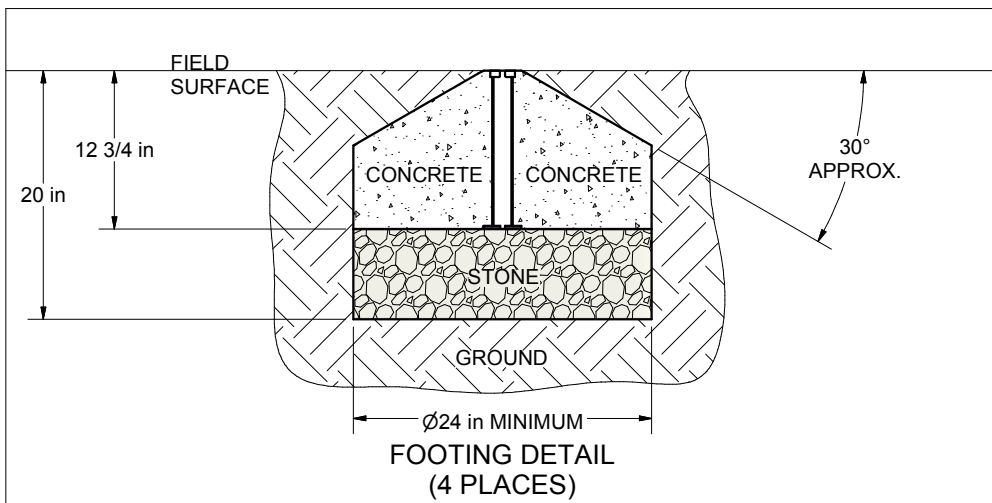
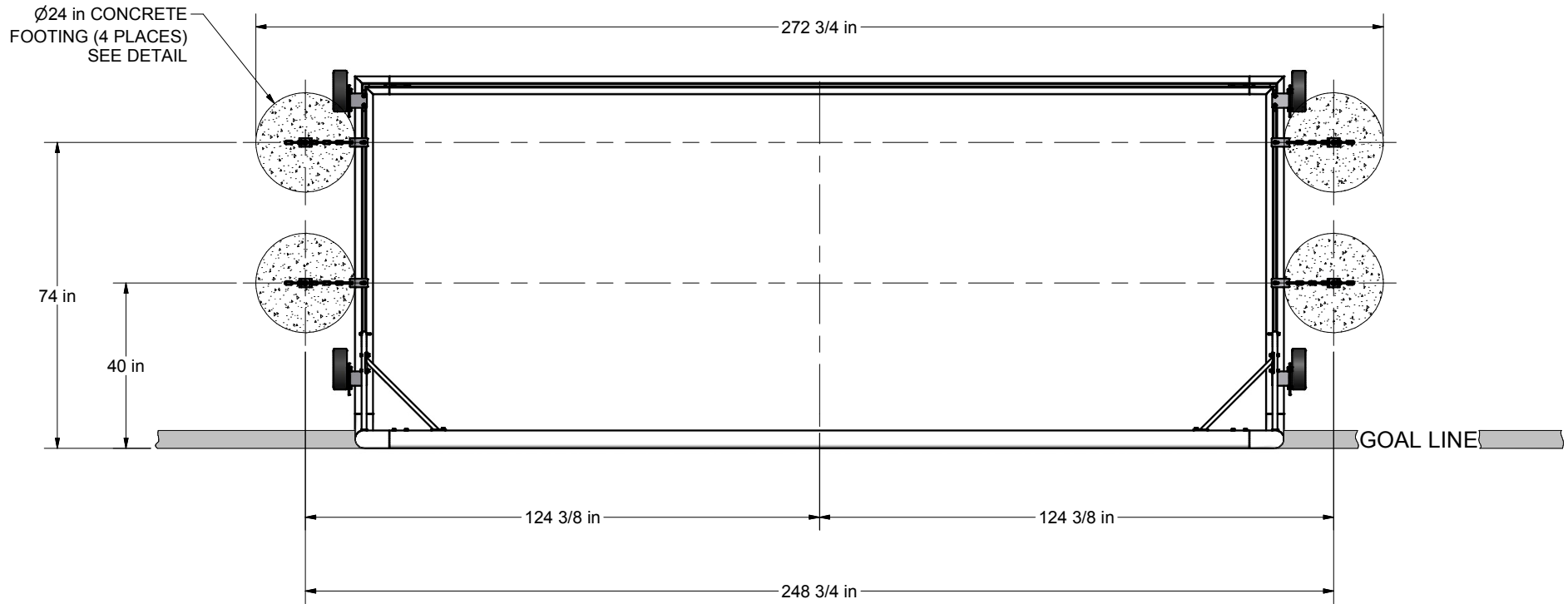
6-1/2' x 18' CANADIAN EURO
MATCH-JR. GOAL

Sheet: 1 of 4

Revision #: 1

Cad File: 25B18.idw

OVERHEAD VIEW



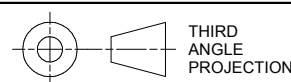
NOTES:

- 1) DIMENSIONS ARE FOR PLANNING PURPOSES. INSTALLATION MUST BE IN ACCORDANCE WITH INSTALLATION INSTRUCTIONS.

MATERIAL REQUIRED, BUT **NOT** SUPPLIED

- 0.5 cubic yard - CONCRETE
 - 0.3 cubic yard - CLEAN STONE (1/4" - 3/4")
- ABOVE AMOUNTS ARE PER GOAL INSTALLATION

Finish Info. White Powder Coat



THIRD ANGLE PROJECTION

KWIKGOAL® 140 Pacific Drive
Quakertown, Pa. 18951

DIMENSIONS ARE IN INCHES UNLESS OTHERWISE SPECIFIED

Approved By:

Part #:

Date:

25B18

This item is the **exclusive** property of **KWIK GOAL LTD.** Reproduction or duplication **without** the express written consent of **KWIK GOAL LTD.** is **strictly forbidden.**

Drawn By: KFrish

Date: 10/15/2010

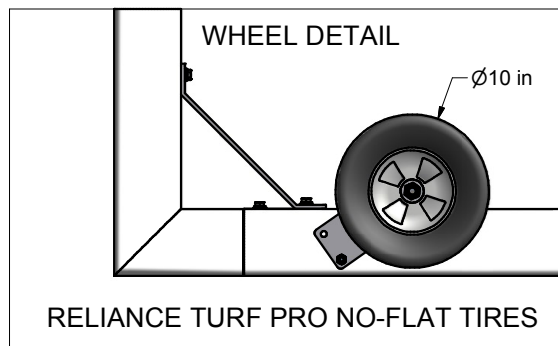
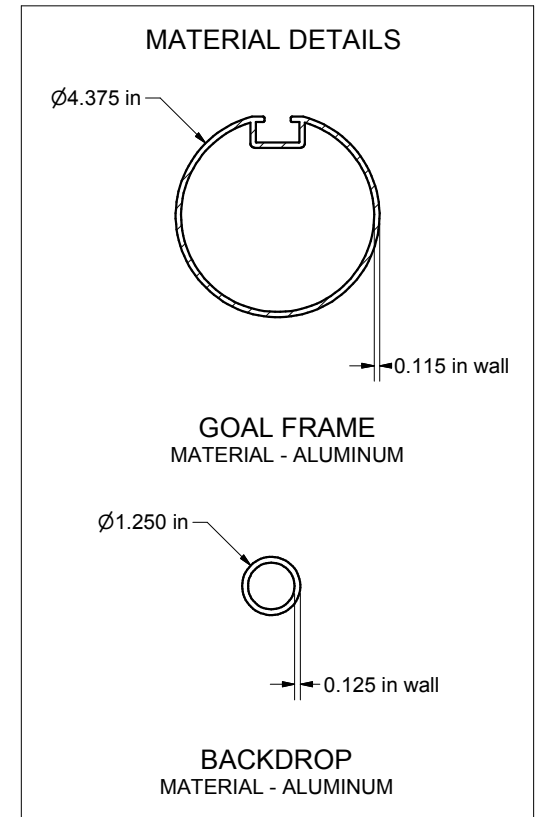
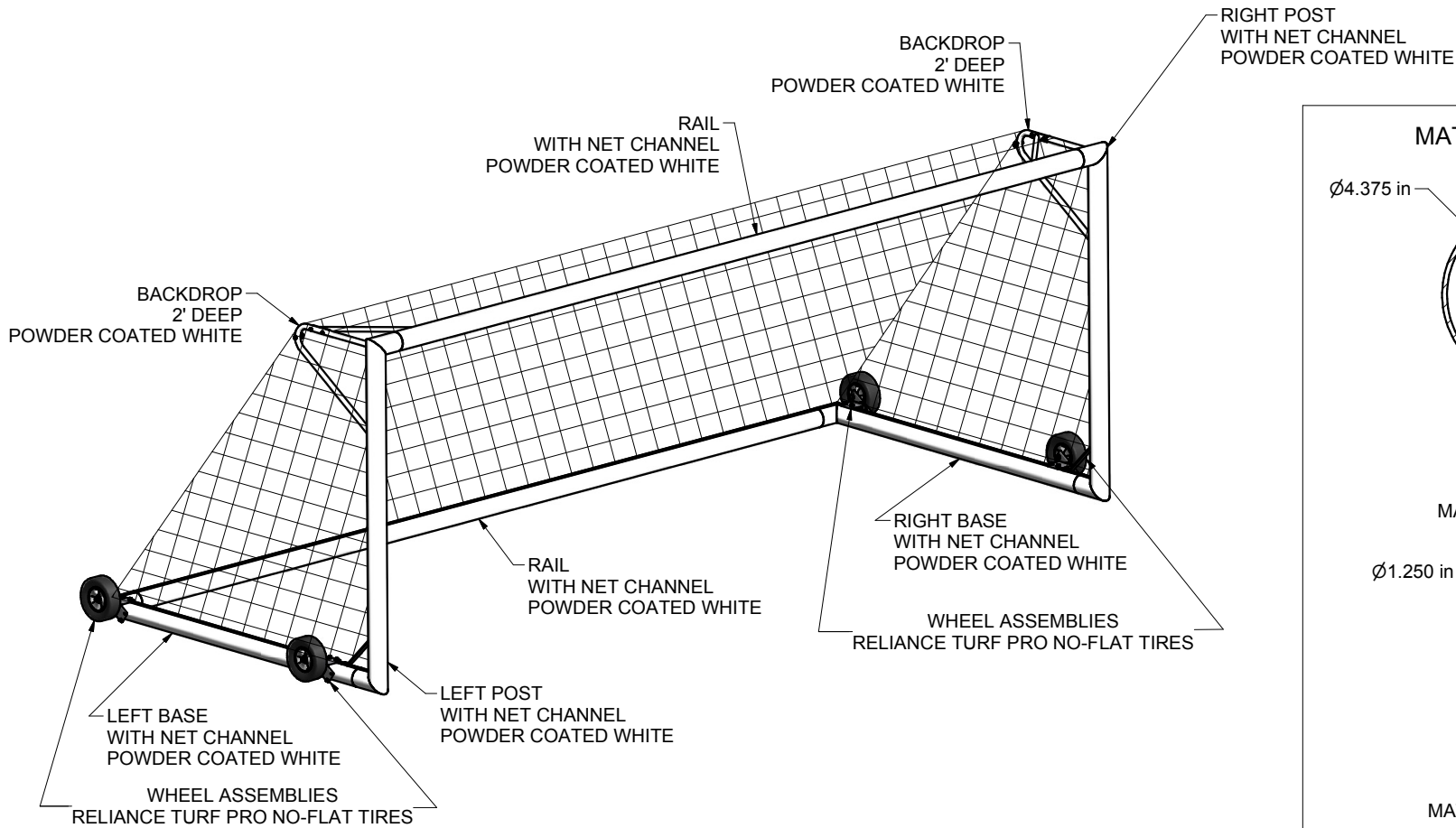
Sheet: 2 of 4

Revision #: 1

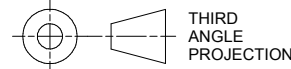
Cad File: 25B18.idw

Desc:

6-1/2' x 18' CANADIAN EURO MATCH-JR. GOAL



Finish Info. White Powder Coat



DIMENSIONS ARE IN INCHES UNLESS OTHERWISE SPECIFIED

This item is the **exclusive** property of **KWIK GOAL LTD.** Reproduction or duplication **without** the express written consent of **KWIK GOAL LTD.** is **strictly forbidden.**



Approved By:

Date:

Drawn By: KFrish

Date: 10/15/2010

Sheet: 3 of 4

Revision #: 1

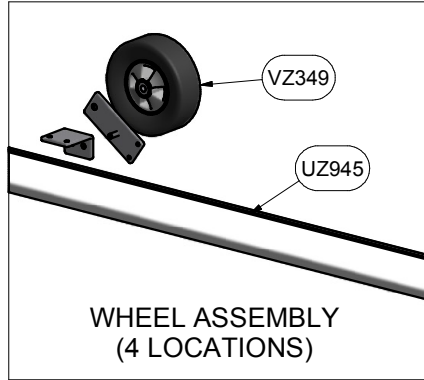
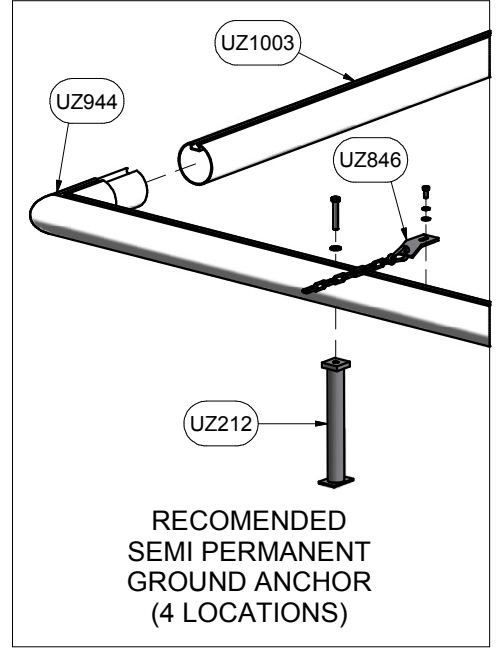
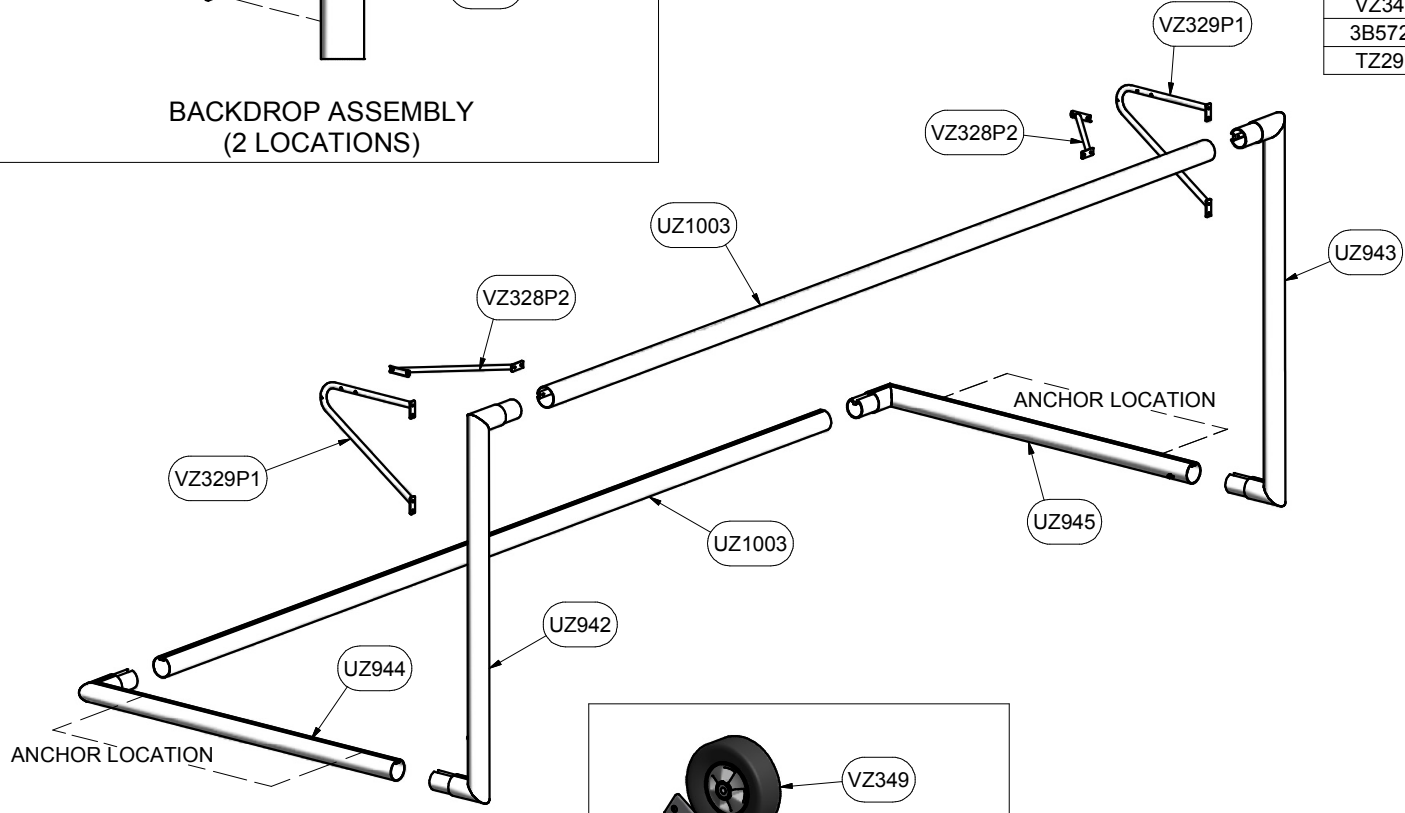
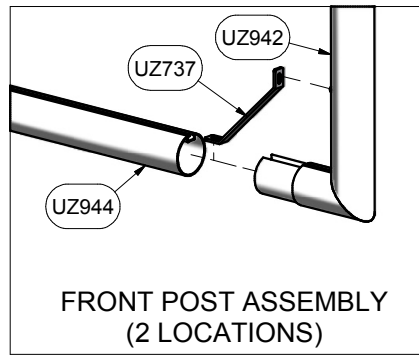
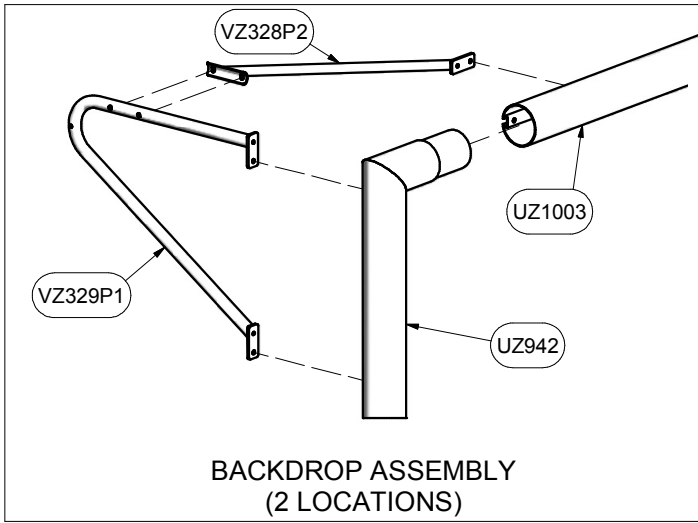
Cad File: 25B18.idw

Part #:

25B18

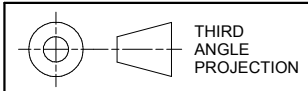
Desc:

6-1/2' x 18' CANADIAN EURO MATCH-JR. GOAL



Parts List		
Part #	Qty	Description
UZ943	1	Right Front Post
UZ1003	2	Rail, 25B16
UZ942	1	Left Front Post
UZ944	1	LEFT BASE
UZ945	1	RIGHT BASE
UZ812	6	CHANNEL SPACER
UZ737	2	Front Post Brace
VZ328P2	2	BACKSTAY BRACE
VZ329P1	2	BACKSTAY
UZ212	4	GROUND ANCHOR ASSEMBLY
UZ846	4	CHAIN ASSEMBLY, GRND ANCHOR
VZ349	4	FLAT PROOF TIRE
3B5721	1	NET, 3MM ROPE, 120MM MESH
TZ297	2	1/2 Flat Washer, SAE

Finish Info. White Powder Coat



DIMENSIONS ARE IN INCHES
UNLESS OTHERWISE SPECIFIED

This item is the **exclusive** property of **KWIK GOAL LTD.** Reproduction or duplication **without** the express written consent of **KWIK GOAL LTD.** is **strictly forbidden.**

140 Pacific Drive
Quakertown,
Pa. 18951

Approved By:
Date:
Drawn By: KFRisch
Date: 10/15/2010
Sheet: 4 of 4
Revision #: 1
Cad File: 25B18.idw

Part #:
25B18
Desc:
6-1/2' x 18' CANADIAN EURO
MATCH-JR. GOAL