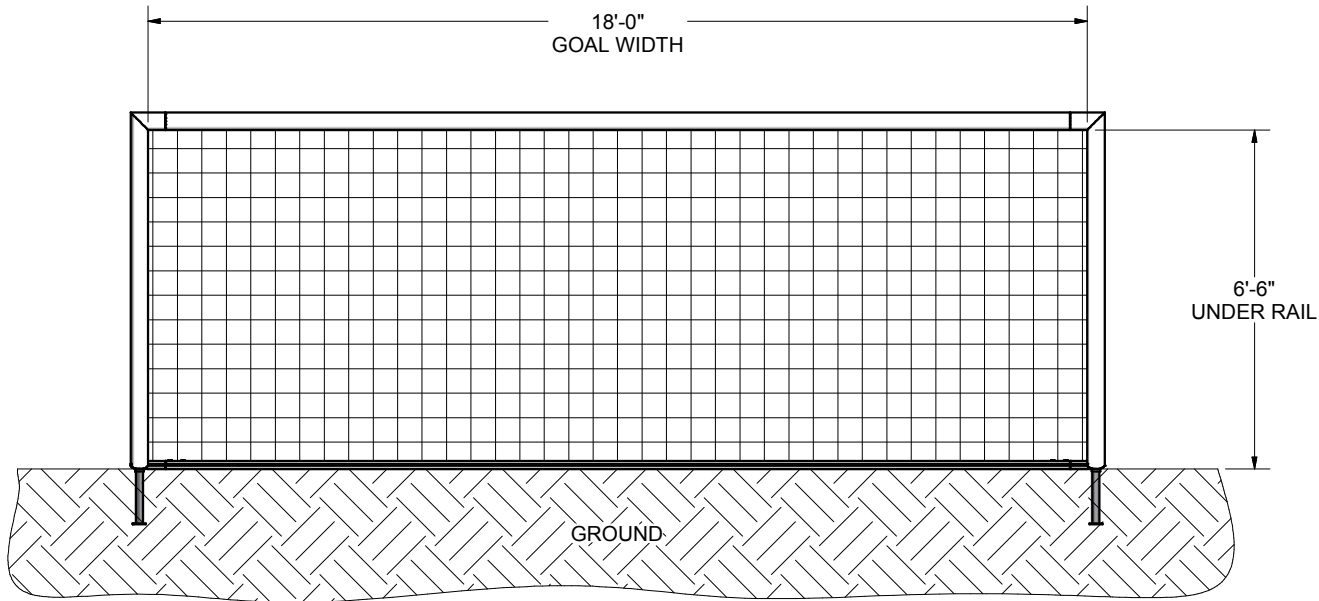
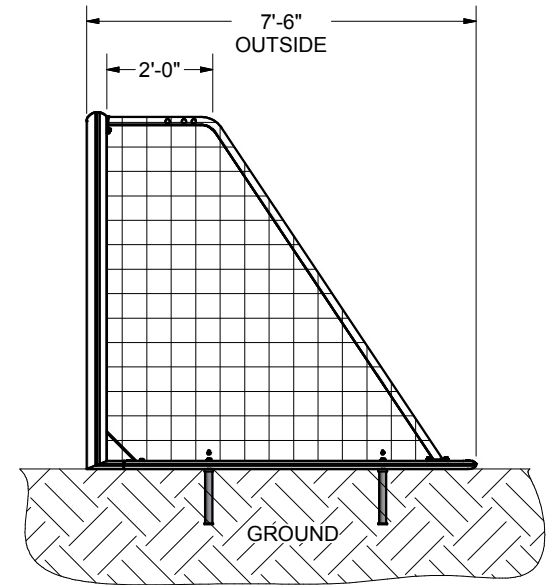


FRONT VIEW



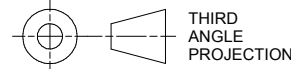
SIDE VIEW



FEATURES:

- 1) ALUMINUM GOAL FRAME AND BACKDROPS
- 2) FINISH: WHITE POWDER COAT
- 3) INCLUDED:
 - SEMI PERMANENT GROUND ANCHORS
 - 3 mm, WHITE NET
 - KWIK LOCK NET CLIPS
- 4) ASSEMBLED GOAL WEIGHT: 188 LBS.
- 5) EXCEEDS ASTM F2056-00 STANDARDS

Finish Info.



THIRD
ANGLE
PROJECTION

DIMENSIONS ARE IN INCHES
UNLESS OTHERWISE SPECIFIED

This item is the **exclusive** property of **KWIK GOAL LTD.** Reproduction or duplication **without** the express written consent of **KWIK GOAL LTD.** is **strictly forbidden.**



140 Pacific Drive
Quakertown,
Pa. 18951

Approved By:

Date:

Drawn By: kfrisch

Date: 5/12/2011

Sheet: 1 of 4

Revision #: 1

Cad File: 25B301.idw

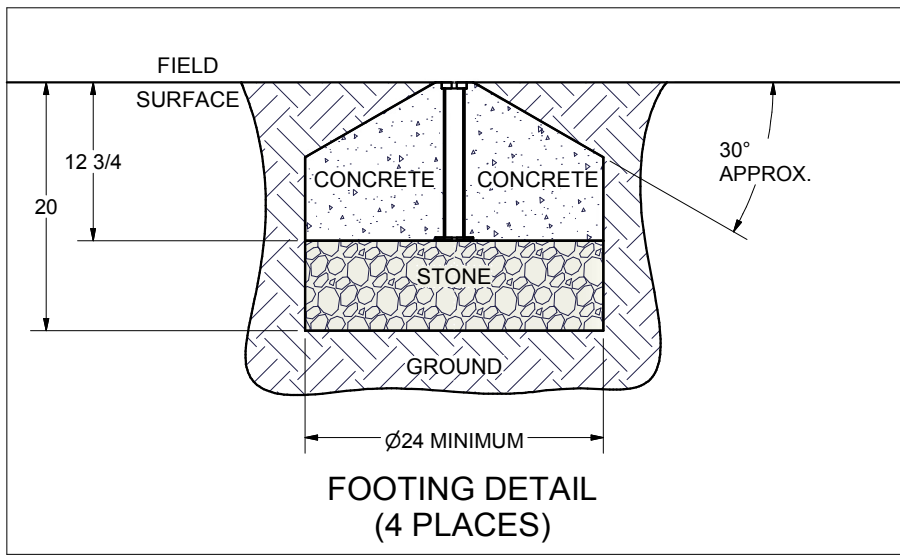
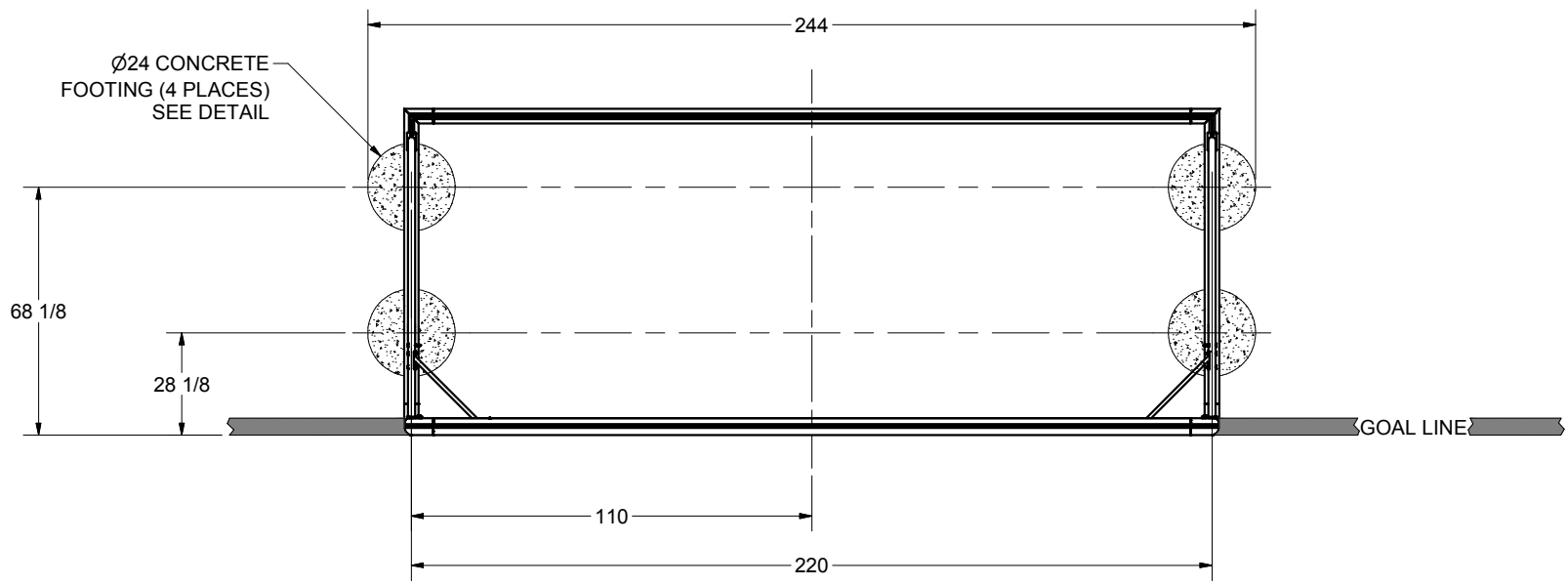
Part #:

25B301

Desc:

6-1/2"H x 18"W x 7-1/2"B
JUNIOR EVOLUTION GOAL,
4" X 5" ELLIPTICAL

OVERHEAD VIEW

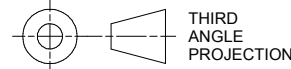


NOTES:

1) DIMENSIONS ARE FOR PLANNING PURPOSES. INSTALLATION MUST BE IN ACCORDANCE WITH INSTALLATION INSTRUCTIONS.

MATERIAL REQUIRED, BUT **NOT** SUPPLIED

0.5 cubic yard - CONCRETE
 0.3 cubic yard - CLEAN STONE (1/4" - 3/4")
 ABOVE AMOUNTS ARE PER GOAL INSTALLATION



THIRD ANGLE PROJECTION

KWIKGOAL® 140 Pacific Drive
 Quakertown, Pa. 18951

DIMENSIONS ARE IN INCHES UNLESS OTHERWISE SPECIFIED

Approved By:

Part #: 25B301

Date:

Drawn By: kfrisch

Date: 5/12/2011

Desc: 6-1/2"H x 18"W x 7-1/2"B JUNIOR EVOLUTION GOAL, 4" X 5" ELLIPTICAL

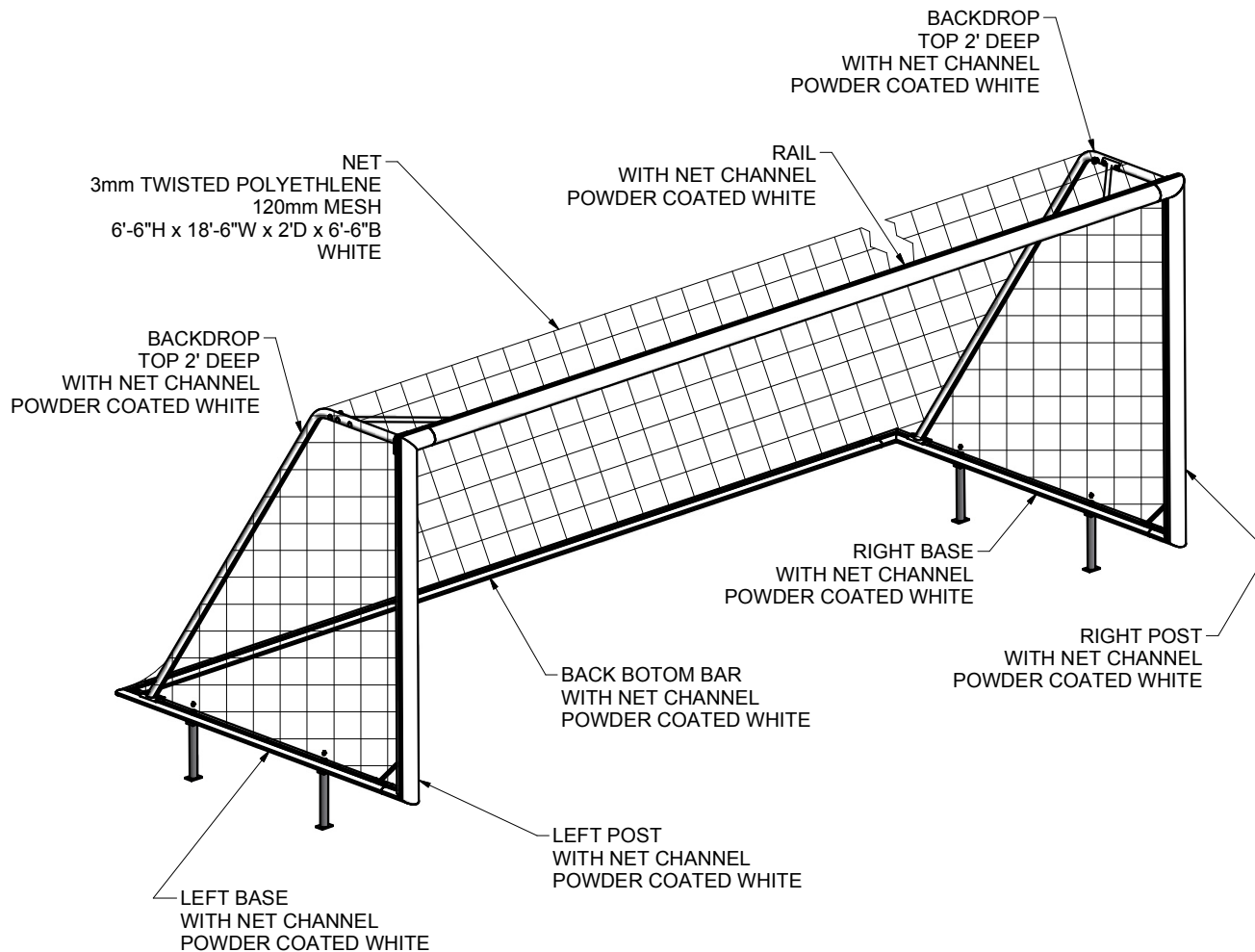
Sheet: 2 of 4

Revision #: 1

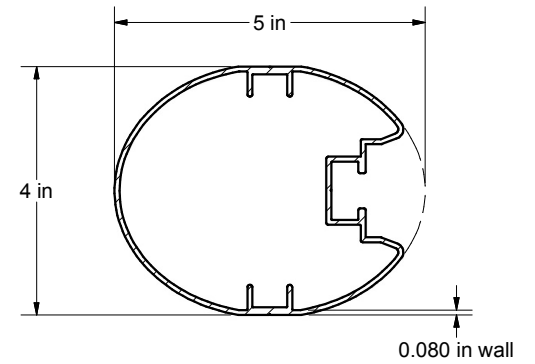
Cad File: 25B301.idw

This item is the **exclusive** property of **KWIK GOAL LTD.** Reproduction or duplication **without** the express written consent of **KWIK GOAL LTD.** is **strictly forbidden.**

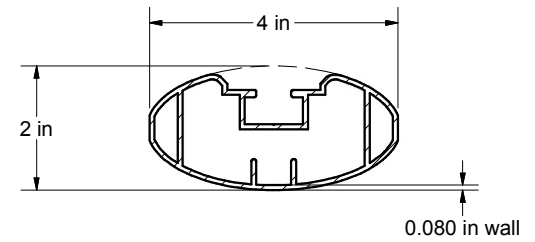
Finish Info.



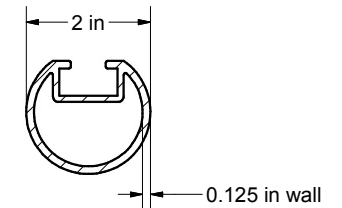
MATERIAL DETAILS



POSTS & RAILS
MATERIAL - ALUMINUM

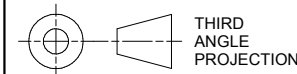


BACK BOTTOM BAR & BASES
MATERIAL - ALUMINUM



BACKDROPS
MATERIAL - ALUMINUM

Finish Info.



THIRD ANGLE PROJECTION



DIMENSIONS ARE IN INCHES UNLESS OTHERWISE SPECIFIED

Approved By:

Part #:

Date:

25B301

This item is the **exclusive** property of **KWIK GOAL LTD.** Reproduction or duplication **without** the express written consent of **KWIK GOAL LTD.** is **strictly forbidden.**

Drawn By: kfrisch

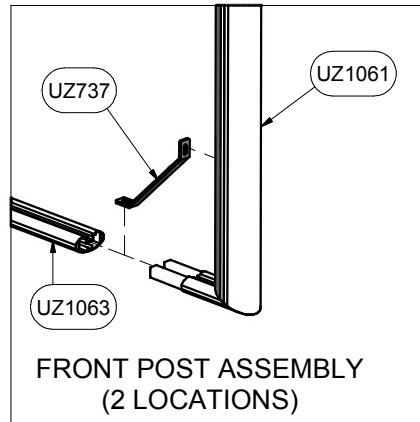
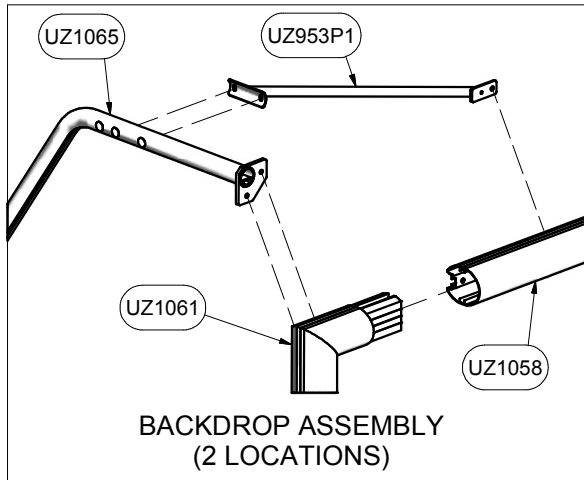
Desc: 6-1/2'H x 18'W x 7-1/2'B JUNIOR EVOLUTION GOAL, 4" X 5" ELLIPTICAL

Date: 5/12/2011

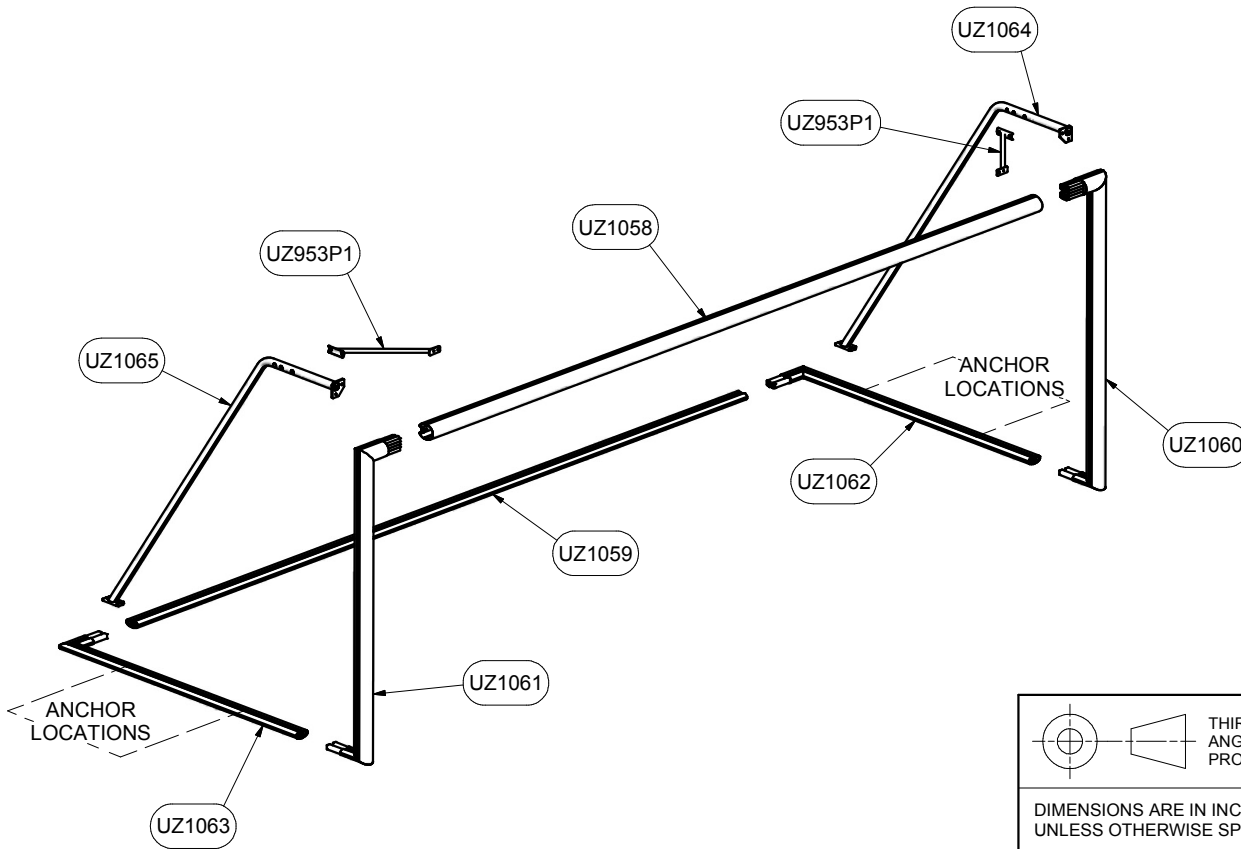
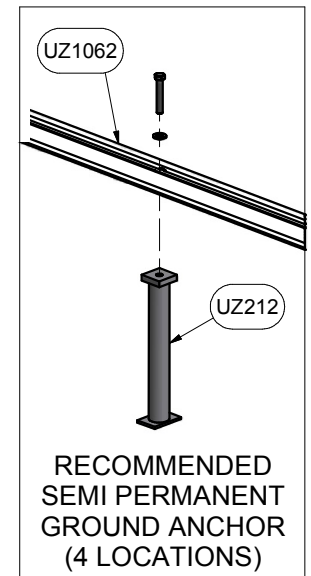
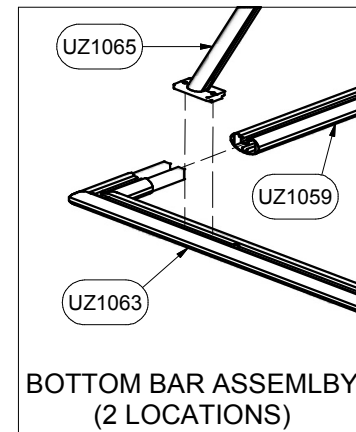
Sheet: 3 of 4

Revision #: 1

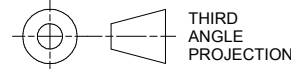
Cad File: 25B301.idw



Parts List		
Part #	Qty	Description
UZ1060	1	RIGHT POST, JUNIOR EVOLUTION
UZ1061	1	LEFT POST, JUNIOR EVOLUTION
UZ1062	1	RIGHT BASE, JUNIOR EVOLUTION
UZ1063	1	LEFT BASE, JUNIOR EVOLUTION
UZ1064	1	BACKDROP, JUNIOR EVOLUTION, RIGHT
UZ1065	1	BACKDROP, JUNIOR EVOLUTION, LEFT
UZ1058	1	RAIL, JUNIOR EVOLUTION
UZ1059	1	BACK BAR, JUNIOR EVOLUTION
UZ212	4	GROUND ANCHOR ASSEMBLY
UZ737	2	Front Post Brace
UZ953P1	2	BACKDROP BRACE
3B5721	1	NET, 3MM ROPE, 120MM MESH



Finish Info.



DIMENSIONS ARE IN INCHES
UNLESS OTHERWISE SPECIFIED

This item is the **exclusive**
property of **KWIK GOAL LTD.**
Reproduction or duplication
without the express written
consent of **KWIK GOAL LTD.**
is **strictly forbidden.**



Approved By:
Date:
Drawn By: kfrisch
Date: 5/12/2011
Sheet: 4 of 4
Revision #: 1
Cad File: 25B301.idw

Part #:
25B301
Desc:
6-1/2"H x 18"W x 7-1/2"B
JUNIOR EVOLUTION GOAL,
4" X 5" ELLIPTICAL