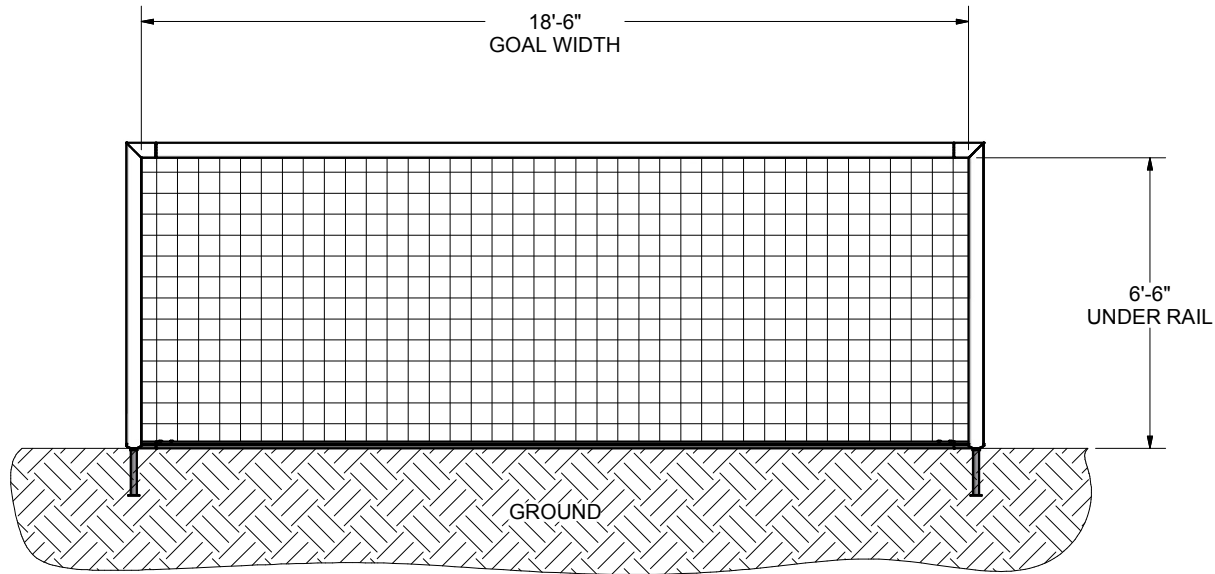
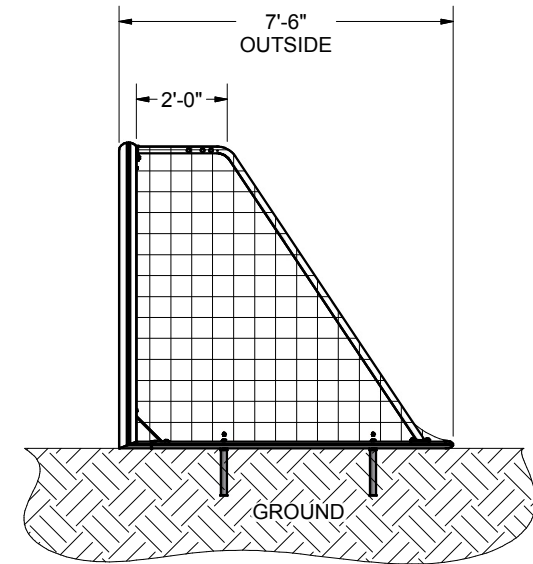


FRONT VIEW



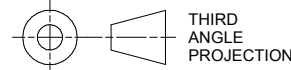
SIDE VIEW



FEATURES:

- 1) ALUMINUM GOAL FRAME AND BACKDROPS
- 2) FINISH: WHITE POWDER COAT
- 3) INCLUDED:
  - SEMI PERMANENT GROUND ANCHORS
  - 3 mm, WHITE NET
  - KWIK LOCK NET CLIPS
- 4) ASSEMBLED GOAL WEIGHT: 190 LBS.
- 5) EXCEEDS ASTM F2056-00 STANDARDS

**Finish Info.**



THIRD  
ANGLE  
PROJECTION

DIMENSIONS ARE IN INCHES  
UNLESS OTHERWISE SPECIFIED

This item is the **exclusive** property of **KWIK GOAL LTD.** Reproduction or duplication **without** the express written consent of **KWIK GOAL LTD.** is **strictly forbidden.**



140 Pacific Drive  
Quakertown,  
Pa. 18951

Approved By:

Date:

Drawn By: kfrisch

Date: 5/16/2011

Sheet: 1 of 4

Revision #: 1

Cad File: 25B303.idw

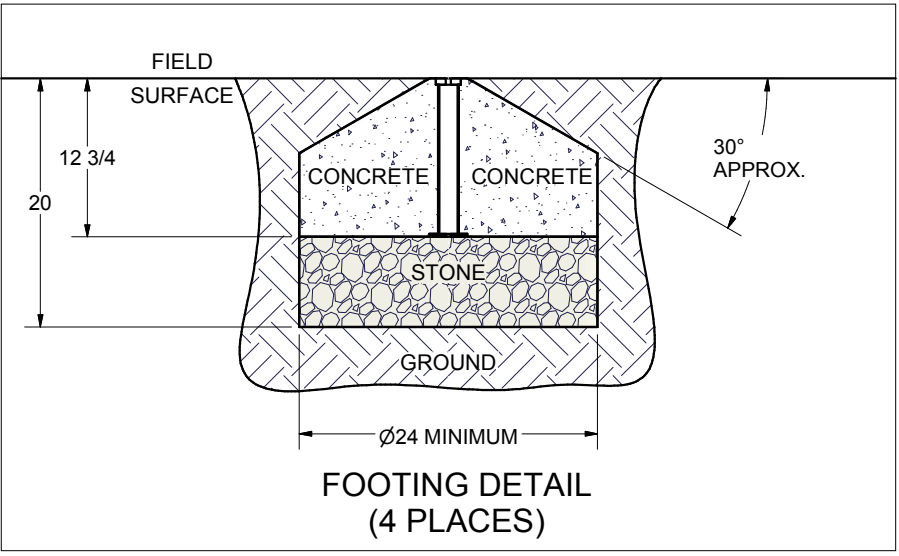
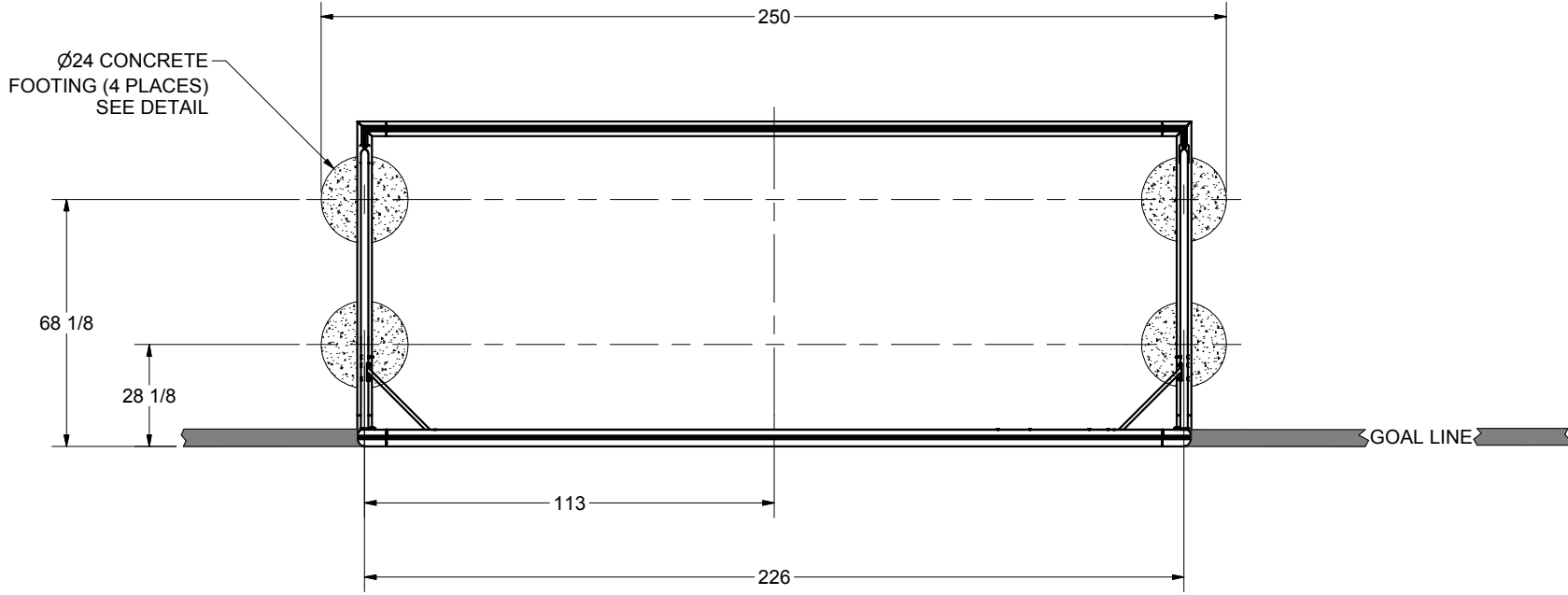
Part #:

**25B303**

Desc:

6-1/2"H x 18 1/2"W x 7-1/2"B  
JUNIOR EVOLUTION GOAL,  
4" X 5" ELLIPTICAL

OVERHEAD VIEW



FOOTING DETAIL  
(4 PLACES)

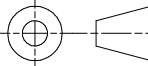

NOTES:

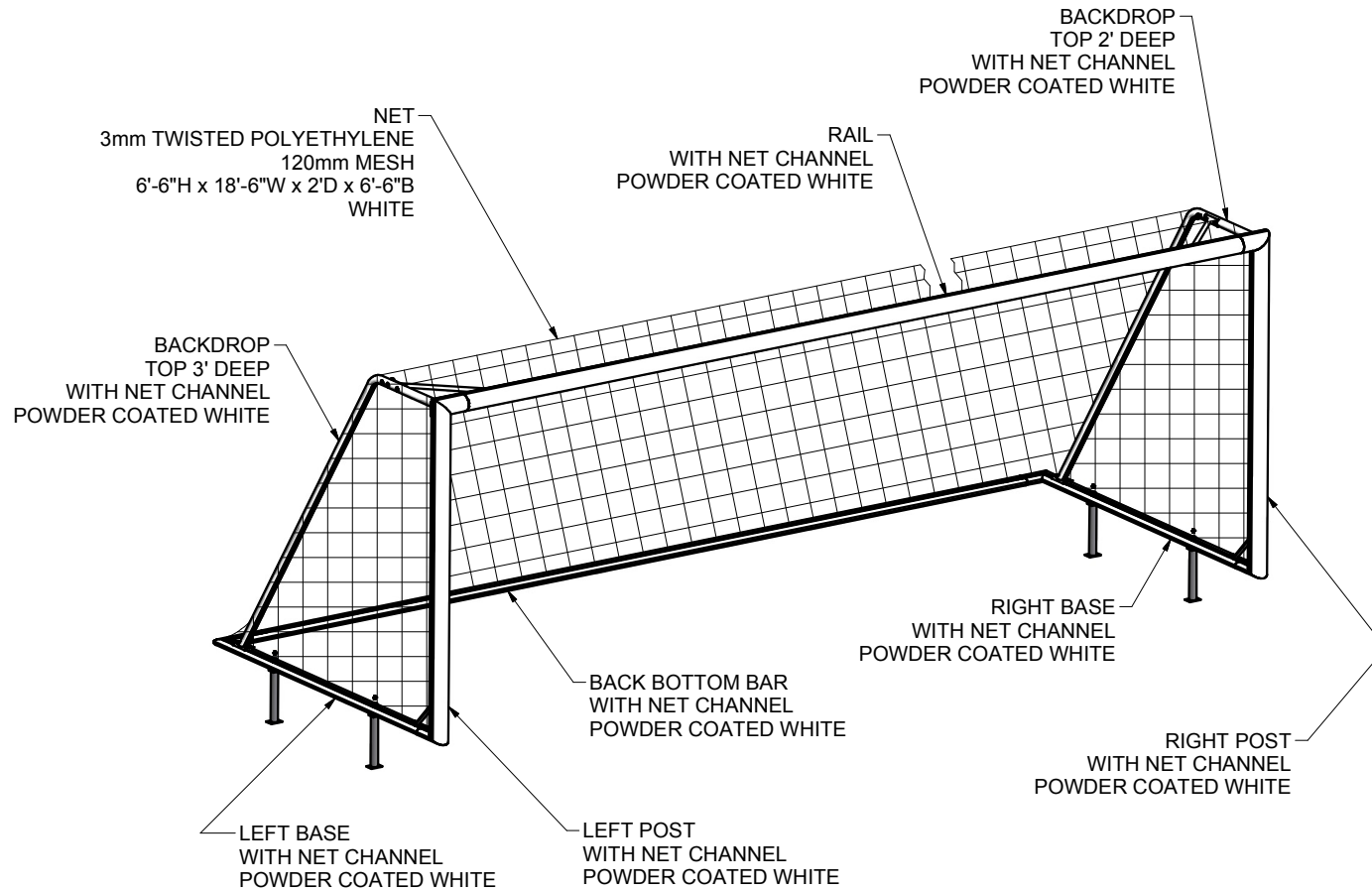
1) DIMENSIONS ARE FOR PLANNING PURPOSES. INSTALLATION MUST BE IN ACCORDANCE WITH INSTALLATION INSTRUCTIONS.

MATERIAL REQUIRED, BUT **NOT** SUPPLIED

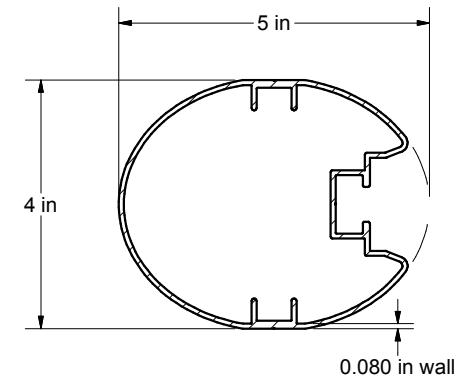
- 0.5 cubic yard - CONCRETE
- 0.3 cubic yard - CLEAN STONE (1/4" - 3/4")
- ABOVE AMOUNTS ARE PER GOAL INSTALLATION

Finish Info.

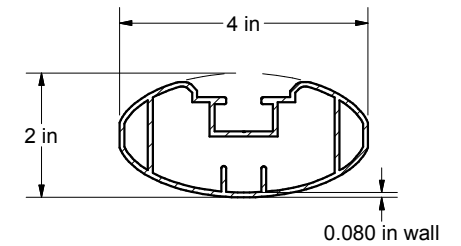
 <p>THIRD ANGLE PROJECTION</p>	 <p>140 Pacific Drive Quakertown, Pa. 18951</p>	
	<p>DIMENSIONS ARE IN INCHES UNLESS OTHERWISE SPECIFIED</p>	<p>Approved By:</p> <p>Date:</p>
<p>This item is the <b>exclusive</b> property of <b>KWIK GOAL LTD.</b> Reproduction or duplication <b>without</b> the express written consent of <b>KWIK GOAL LTD.</b> is <b>strictly forbidden.</b></p>	<p>Drawn By: kfrisch</p> <p>Date: 5/16/2011</p> <p>Sheet: 2 of 4</p> <p>Revision #: 1</p> <p>Cad File: 25B303.idw</p>	<p>Desc:</p> <p>6-1/2"H x 18 1/2"W x 7-1/2"B JUNIOR EVOLUTION GOAL, 4" X 5" ELLIPTICAL</p>



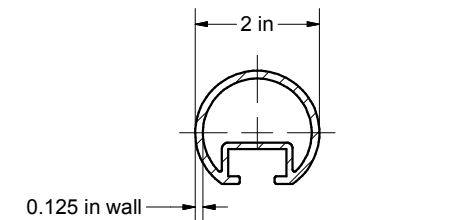
MATERIAL DETAILS



POSTS & RAIL  
MATERIAL - ALUMINUM

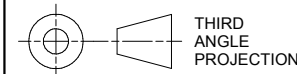


BACK BOTTOM BAR & BASES  
MATERIAL - ALUMINUM



BACKDROPS  
MATERIAL - ALUMINUM

Finish Info.



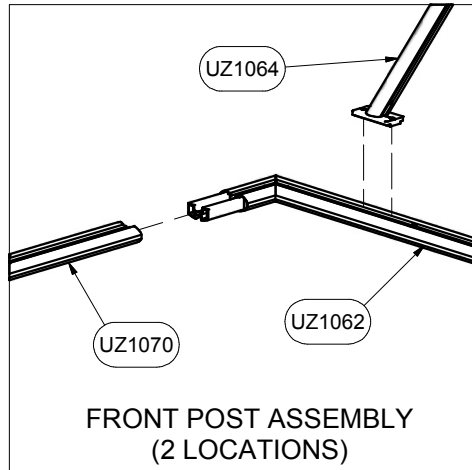
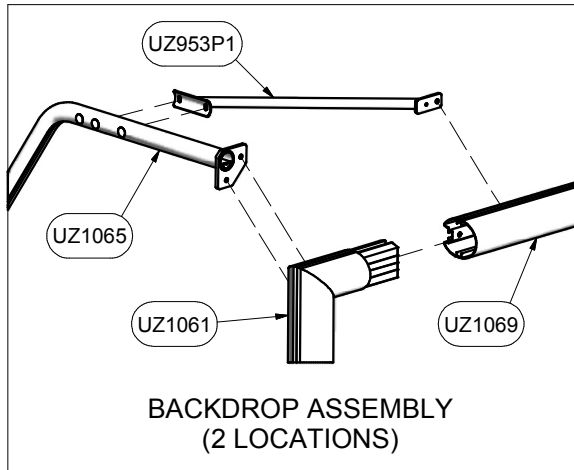
DIMENSIONS ARE IN INCHES  
UNLESS OTHERWISE SPECIFIED

This item is the **exclusive** property of **KWIK GOAL LTD.** Reproduction or duplication **without** the express written consent of **KWIK GOAL LTD.** is **strictly forbidden.**

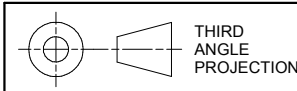
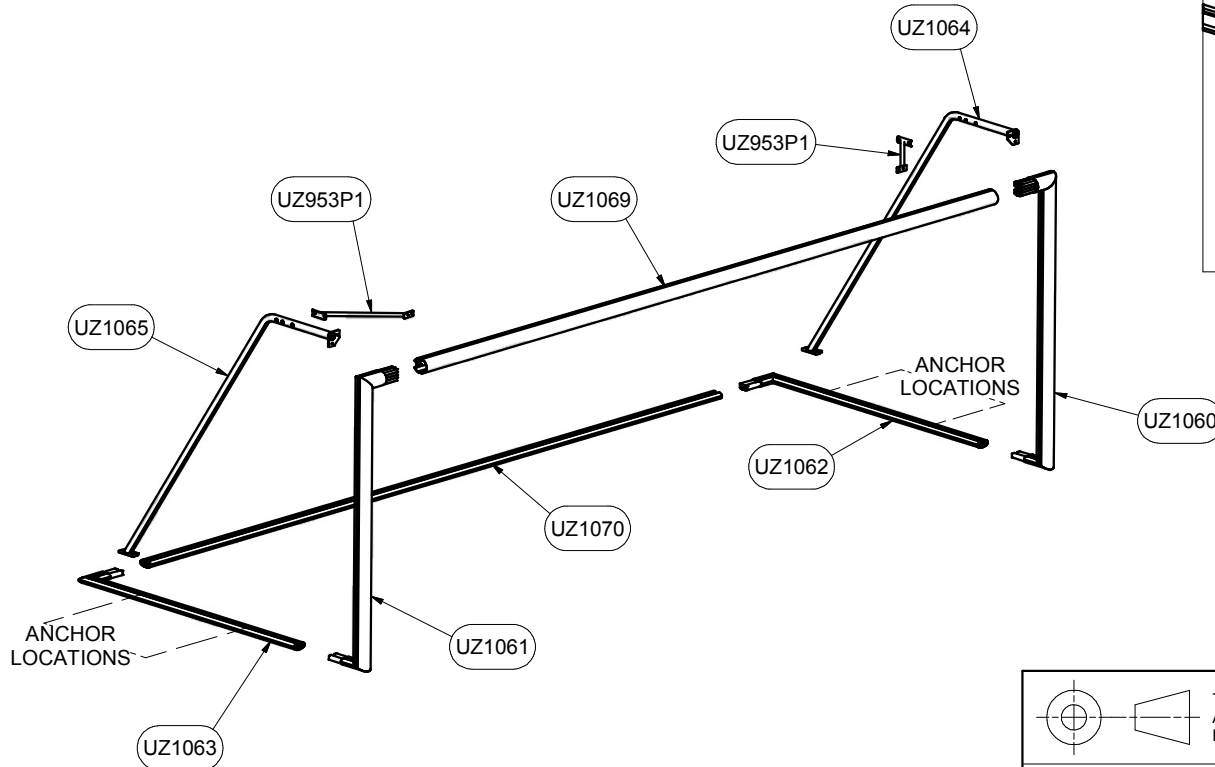
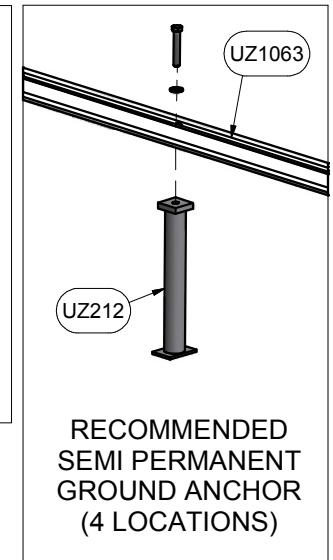
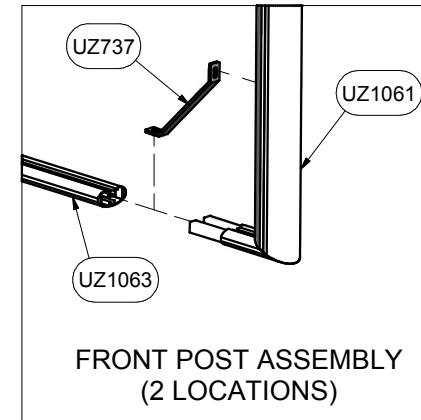


Approved By:  
Date:  
Drawn By: kfrisch  
Date: 5/16/2011  
Sheet: 3 of 4  
Revision #: 1  
Cad File: 25B303.idw

Part #: **25B303**  
Desc: 6-1/2"H x 18 1/2"W x 7-1/2"B JUNIOR EVOLUTION GOAL, 4" X 5" ELLIPTICAL



Parts List		
Part #	Qty	Description
UZ1070	1	BACK BAR, JUNIOR EVOLUTION
UZ1061	1	LEFT POST, JUNIOR EVOLUTION
UZ1060	1	RIGHT POST, JUNIOR EVOLUTION
UZ1062	1	RIGHT BASE, JUNIOR EVOLUTION
UZ1063	1	LEFT BASE, JUNIOR EVOLUTION
UZ1064	1	BACKDROP, JUNIOR EVOLUTION, RIGHT
UZ1065	1	BACKDROP, JUNIOR EVOLUTION, LEFT
UZ212	4	GROUND ANCHOR ASSEMBLY
UZ1069	1	RAIL, JUNIOR EVOLUTION
UZ953P1	2	BACKDROP BRACE
UZ737	2	Front Post Brace
3B5721	1	NET, 3MM ROPE, 120MM MESH



**KWIKGOAL**® 140 Pacific Drive  
Quakertown,  
Pa. 18951

DIMENSIONS ARE IN INCHES  
UNLESS OTHERWISE SPECIFIED

Approved By:  
Date:

Part #:  
**25B303**

This item is the **exclusive**  
property of **KWIK GOAL LTD.**  
Reproduction or duplication  
**without** the express written  
consent of **KWIK GOAL LTD.**  
is **strictly forbidden.**

Drawn By: kfrisch  
Date: 5/16/2011  
Sheet: 4 of 4  
Revision #: 1  
Cad File: 25B303.idw

Desc:  
6-1/2"H x 18 1/2"W x 7-1/2"B  
JUNIOR EVOLUTION GOAL,  
4" X 5" ELLIPTICAL

**Finish Info.**