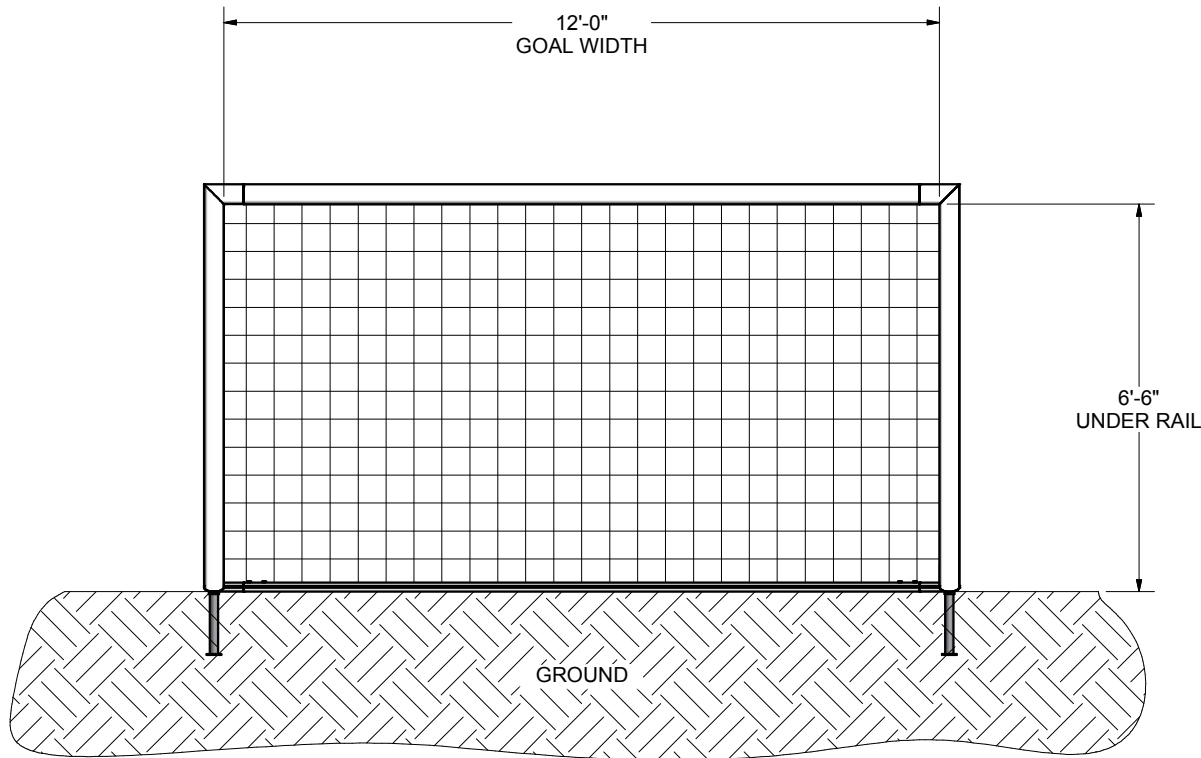
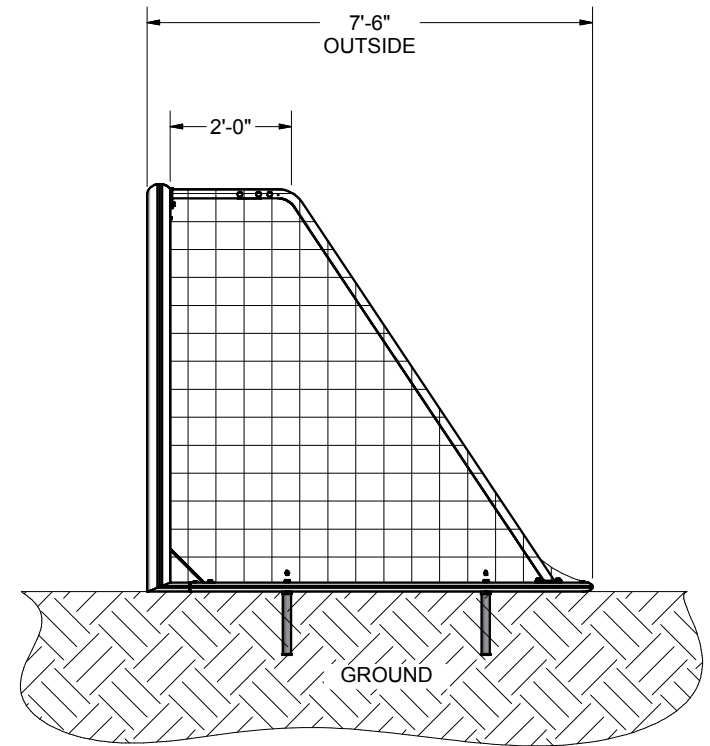


FRONT VIEW



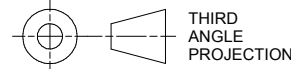
SIDE VIEW



FEATURES:

- 1) ALUMINUM GOAL FRAME AND BACKDROPS
- 2) FINISH: WHITE POWDER COAT
- 3) INCLUDED:
 - SEMI PERMANENT GROUND ANCHORS
 - 3 mm, WHITE NET
 - KWIK LOCK NET CLIPS
- 4) ASSEMBLED GOAL WEIGHT: 168 LBS.
- 5) EXCEEDS ASTM F2056-00 STANDARDS

Finish Info.



DIMENSIONS ARE IN INCHES
UNLESS OTHERWISE SPECIFIED

This item is the **exclusive** property of **KWIK GOAL LTD.** Reproduction or duplication **without** the express written consent of **KWIK GOAL LTD.** is **strictly forbidden.**



Approved By:

Date:

Drawn By: kfrisch

Date: 5/16/2011

Sheet: 1 of 4

Revision #: 1

Cad File: 25B304.idw

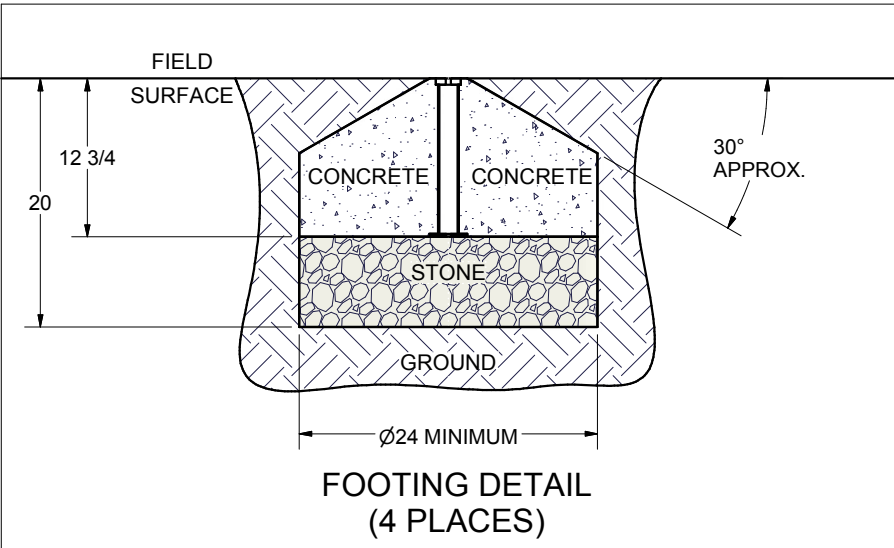
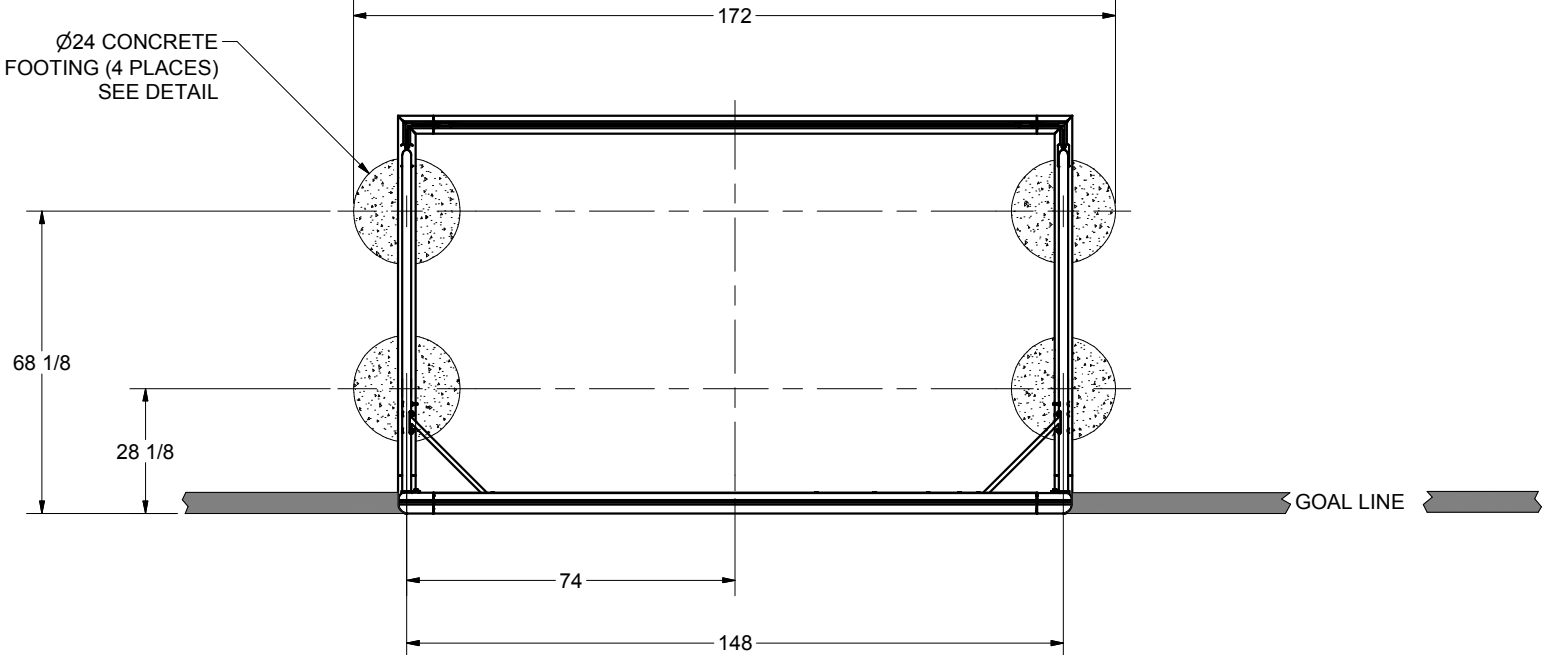
Part #:

25B304

Desc:

6-1/2"H x 12"W x 7-1/2"B
JUNIOR EVOLUTION GOAL,
4" X 5" ELLIPTICAL

OVERHEAD VIEW



FOOTING DETAIL
(4 PLACES)

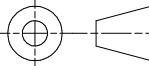

NOTES:

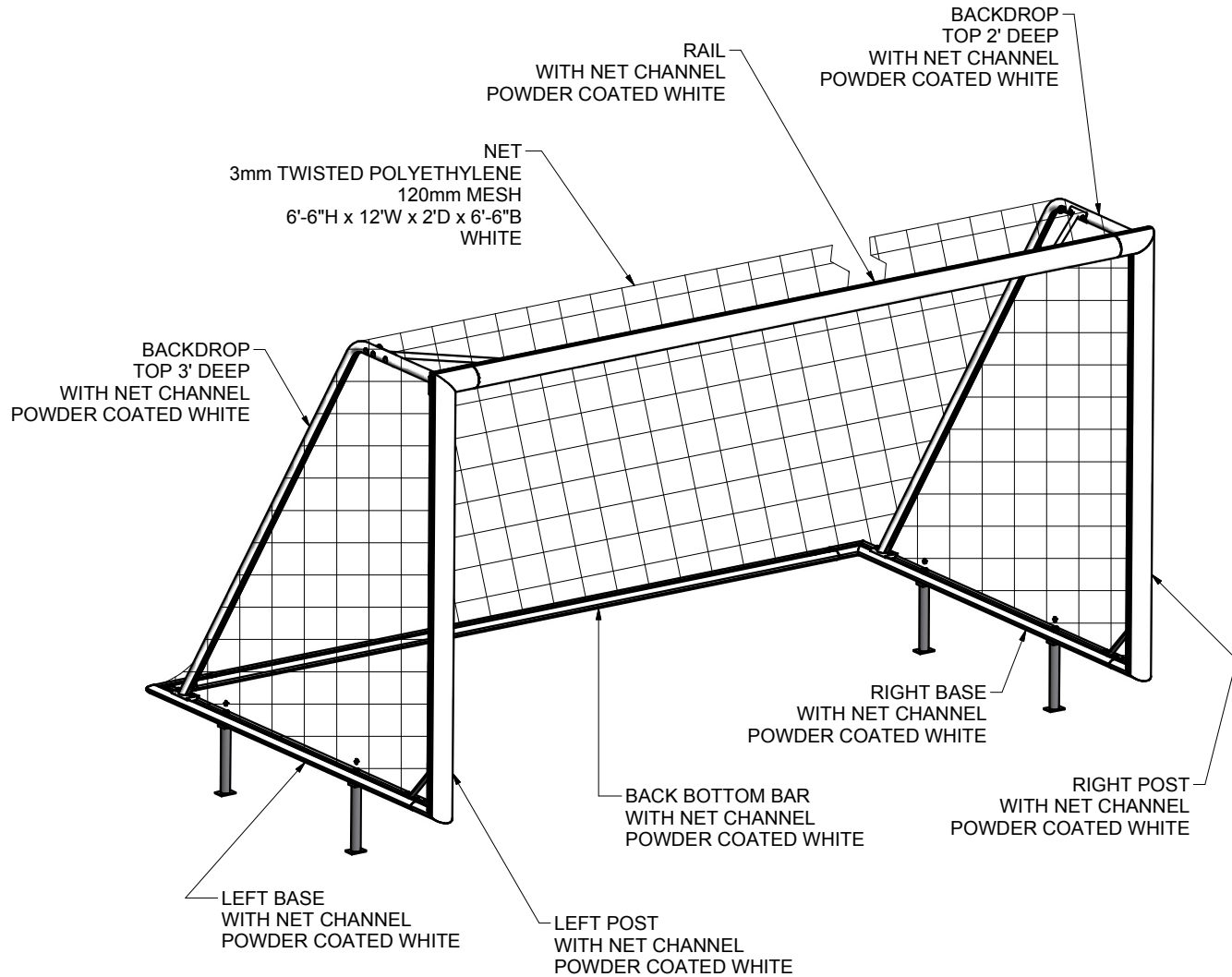
1) DIMENSIONS ARE FOR PLANNING PURPOSES. INSTALLATION MUST BE IN ACCORDANCE WITH INSTALLATION INSTRUCTIONS.

MATERIAL REQUIRED, BUT **NOT** SUPPLIED

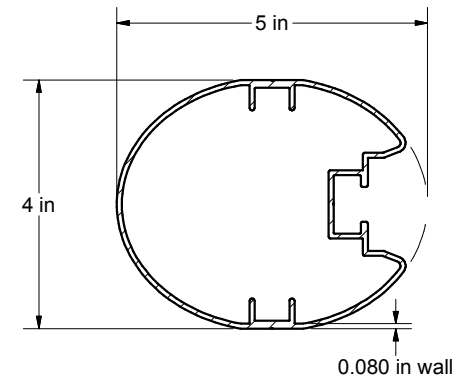
- 0.5 cubic yard - CONCRETE
- 0.3 cubic yard - CLEAN STONE (1/4" - 3/4")
- ABOVE AMOUNTS ARE PER GOAL INSTALLATION

Finish Info.

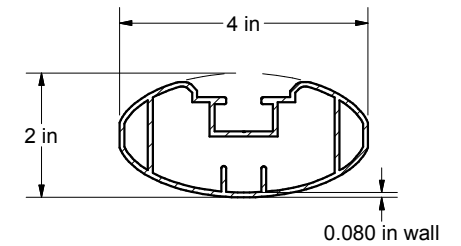
 <p>THIRD ANGLE PROJECTION</p>	 <p>140 Pacific Drive Quakertown, Pa. 18951</p>	
	<p>DIMENSIONS ARE IN INCHES UNLESS OTHERWISE SPECIFIED</p>	<p>Approved By:</p> <p>Date:</p>
<p>This item is the exclusive property of KWIK GOAL LTD. Reproduction or duplication without the express written consent of KWIK GOAL LTD. is strictly forbidden.</p>	<p>Drawn By: kfrisch</p> <p>Date: 5/16/2011</p> <p>Sheet: 2 of 4</p> <p>Revision #: 1</p> <p>Cad File: 25B304.idw</p>	<p>Desc:</p> <p>6-1/2"H x 12"W x 7-1/2"B JUNIOR EVOLUTION GOAL, 4" X 5" ELLIPTICAL</p>



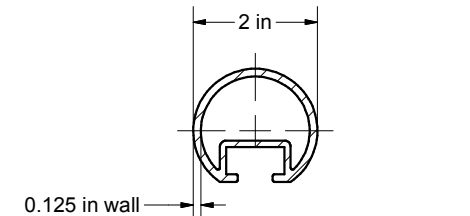
MATERIAL DETAILS



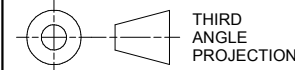
POSTS & RAIL MATERIAL - ALUMINUM



BACK BOTTOM BAR & BASES MATERIAL - ALUMINUM



BACKDROPS MATERIAL - ALUMINUM



DIMENSIONS ARE IN INCHES UNLESS OTHERWISE SPECIFIED

Approved By:

Part #:

Date:

25B304

Drawn By: kfrisch

Date: 5/16/2011

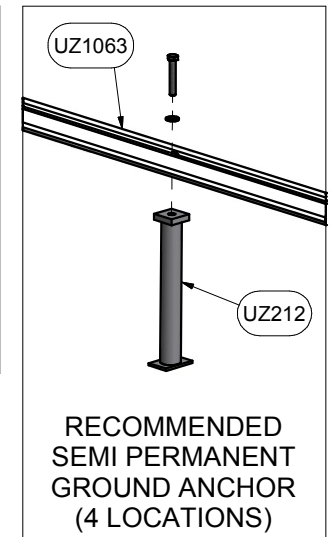
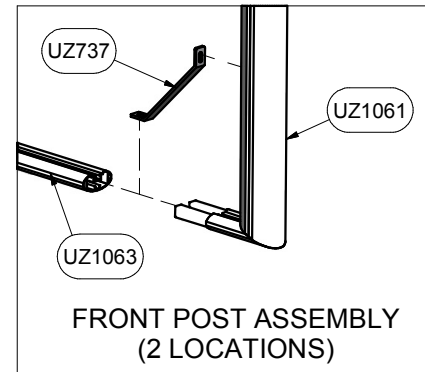
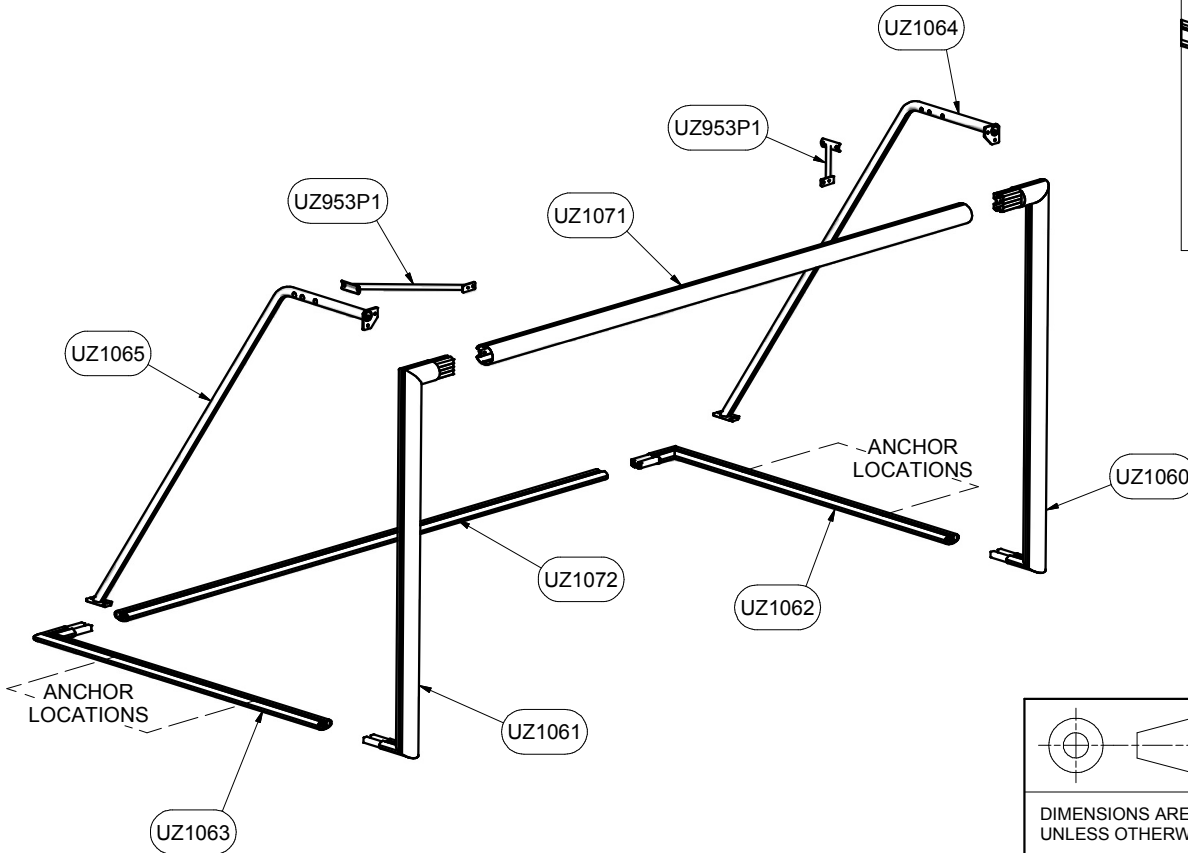
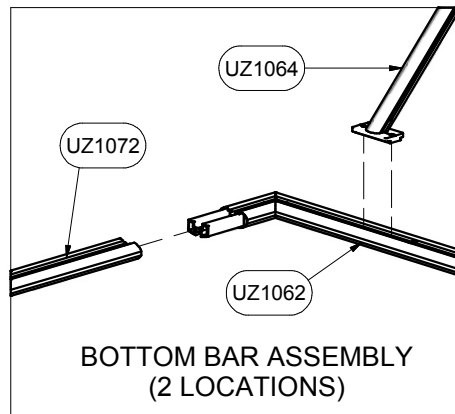
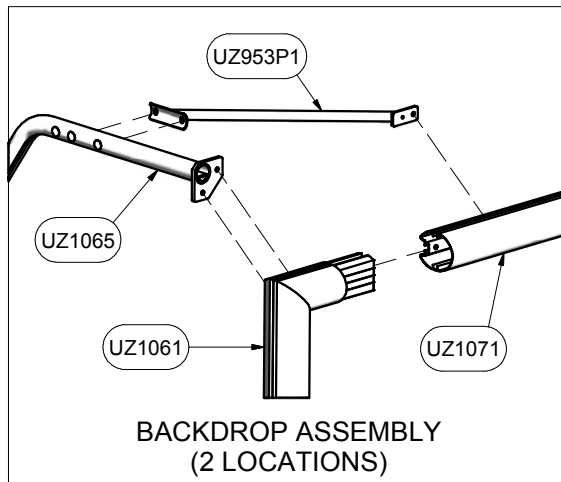
Desc: 6-1/2'H x 12"W x 7-1/2'B JUNIOR EVOLUTION GOAL, 4" X 5" ELLIPTICAL

Sheet: 3 of 4

Revision #: 1

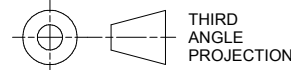
Cad File: 25B304.idw

Finish Info.



Parts List		
Part #	Qty	Description
UZ1072	1	BACK BAR, JUNIOR EVOLUTION
UZ1061	1	LEFT POST, JUNIOR EVOLUTION
UZ1060	1	RIGHT POST, JUNIOR EVOLUTION
UZ1062	1	RIGHT BASE, JUNIOR EVOLUTION
UZ1063	1	LEFT BASE, JUNIOR EVOLUTION
UZ1064	1	BACKDROP, JUNIOR EVOLUTION, RIGHT
UZ1065	1	BACKDROP, JUNIOR EVOLUTION, LEFT
UZ212	4	GROUND ANCHOR ASSEMBLY
UZ1071	1	RAIL, JUNIOR EVOLUTION
UZ953P1	2	BACKDROP BRACE
UZ737	2	Front Post Brace
3B5821	1	NET, 3MM ROPE, 120MM MESH

Finish Info.



DIMENSIONS ARE IN INCHES
UNLESS OTHERWISE SPECIFIED

This item is the **exclusive**
property of **KWIK GOAL LTD.**
Reproduction or duplication
without the express written
consent of **KWIK GOAL LTD.**
is **strictly forbidden.**



Approved By:

Date:

Drawn By: kfrisch

Date: 5/16/2011

Sheet: 4 of 4

Revision #: 1

Cad File: 25B304.idw

Part #:
25B304

Desc:
6-1/2"H x 12"W x 7-1/2"B
JUNIOR EVOLUTION GOAL,
4" X 5" ELLIPTICAL