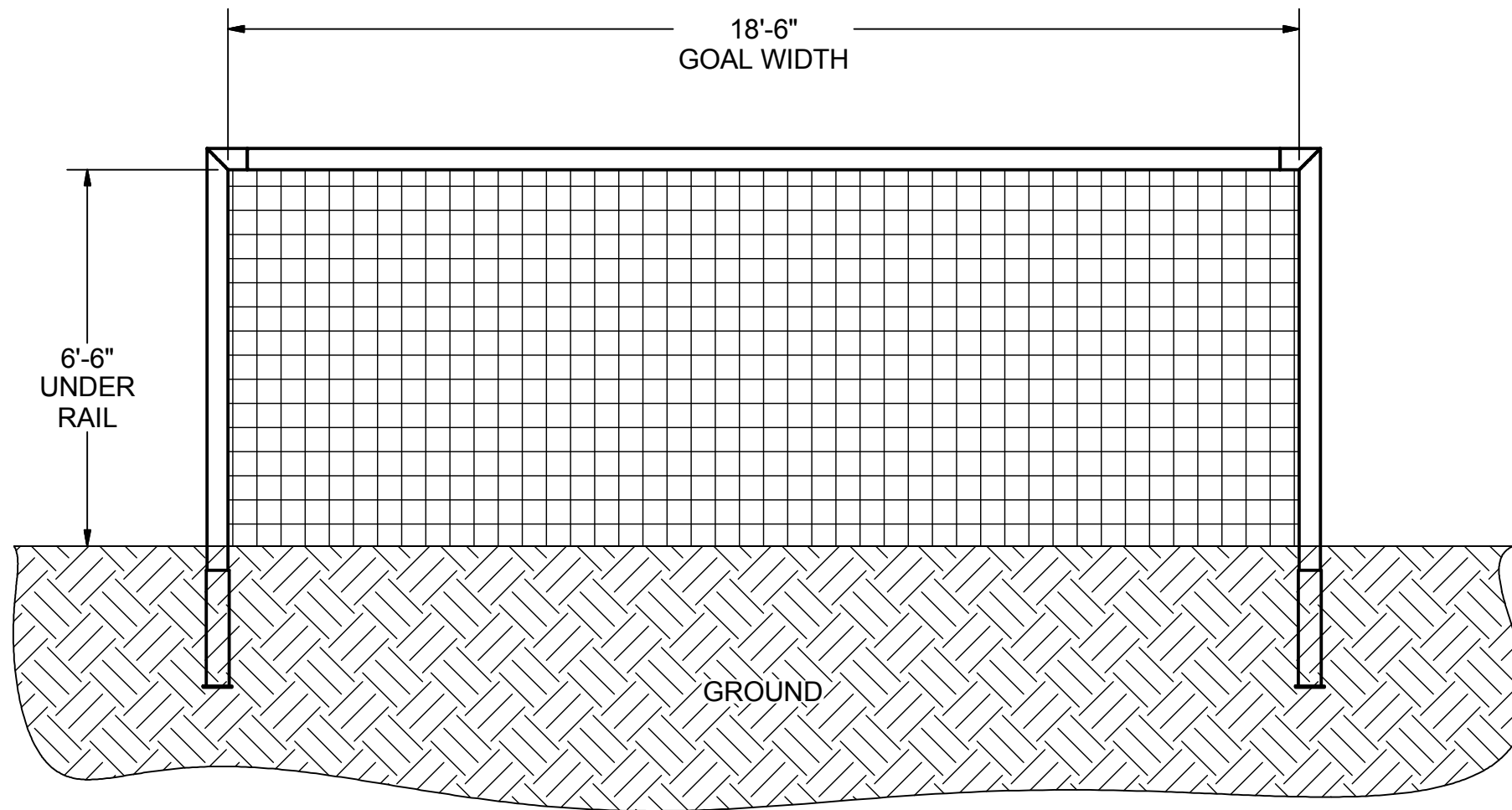
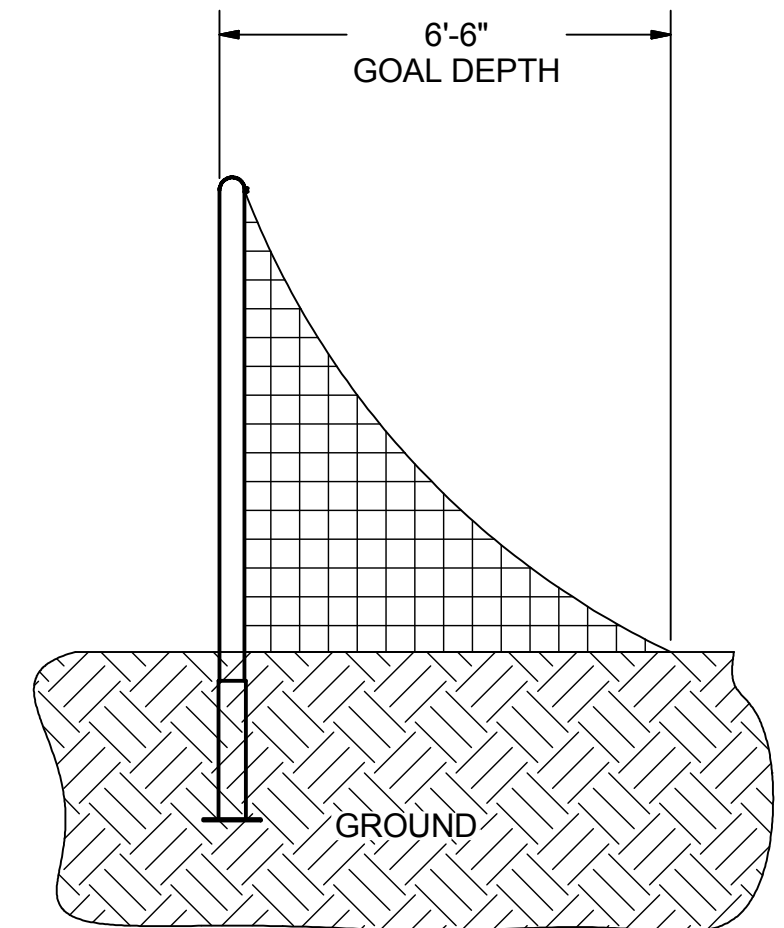


FRONT VIEW



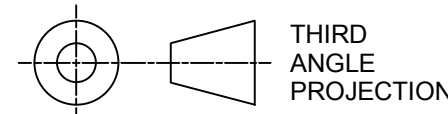
SIDE VIEW



FEATURES:

- 1) ALUMINUM POSTS, RAIL, AND GROUND SLEEVES
- 2) FINISH:
GOAL FRAME - WHITE POWDER COAT
GROUND SLEEVES - PLAIN
- 3) NET, NET PEGS AND CLIPS INCLUDED
- 4) GROUND SLEEVES FOR POSTS INCLUDED
- 5) ASSEMBLED WEIGHT GOAL: 88 LBS.
- 6) EXCEEDS:
ASTM F2056-00 STANDARDS

Finish Info.



THIRD ANGLE PROJECTION



DIMENSIONS ARE IN INCHES UNLESS OTHERWISE SPECIFIED

Approved By:
Date:

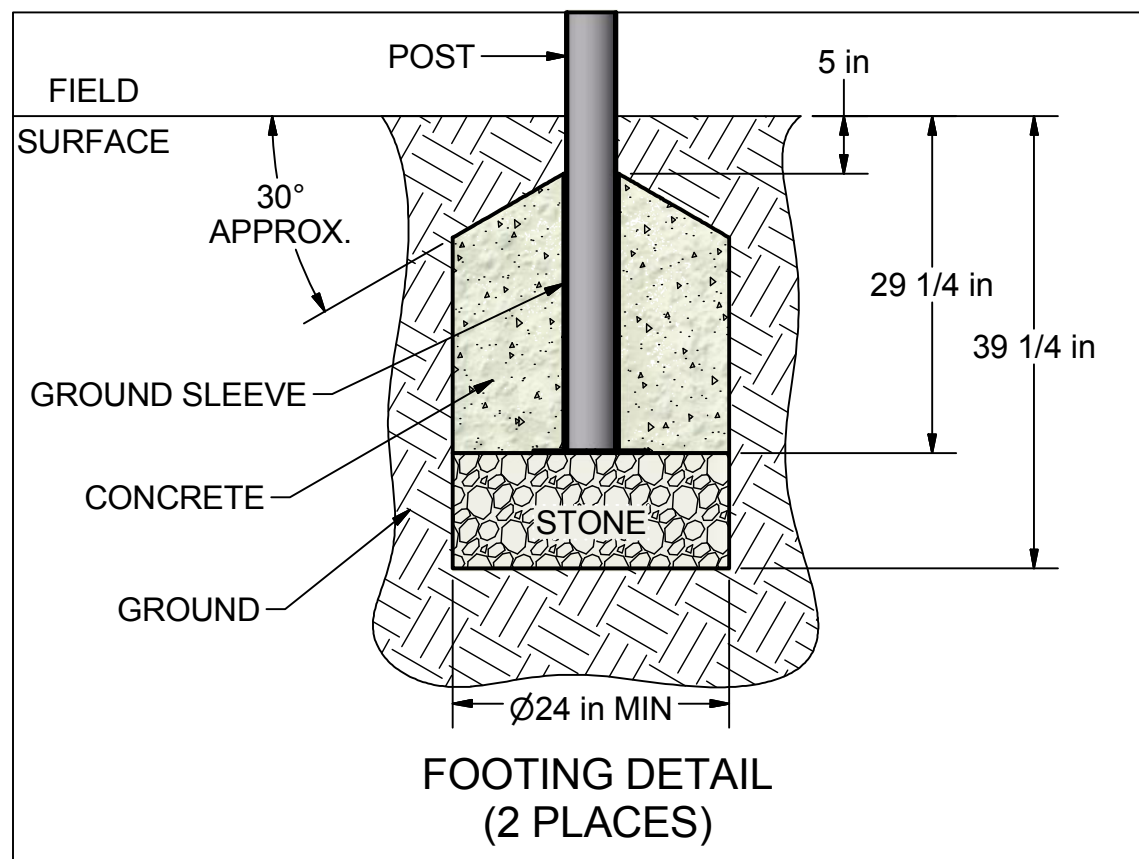
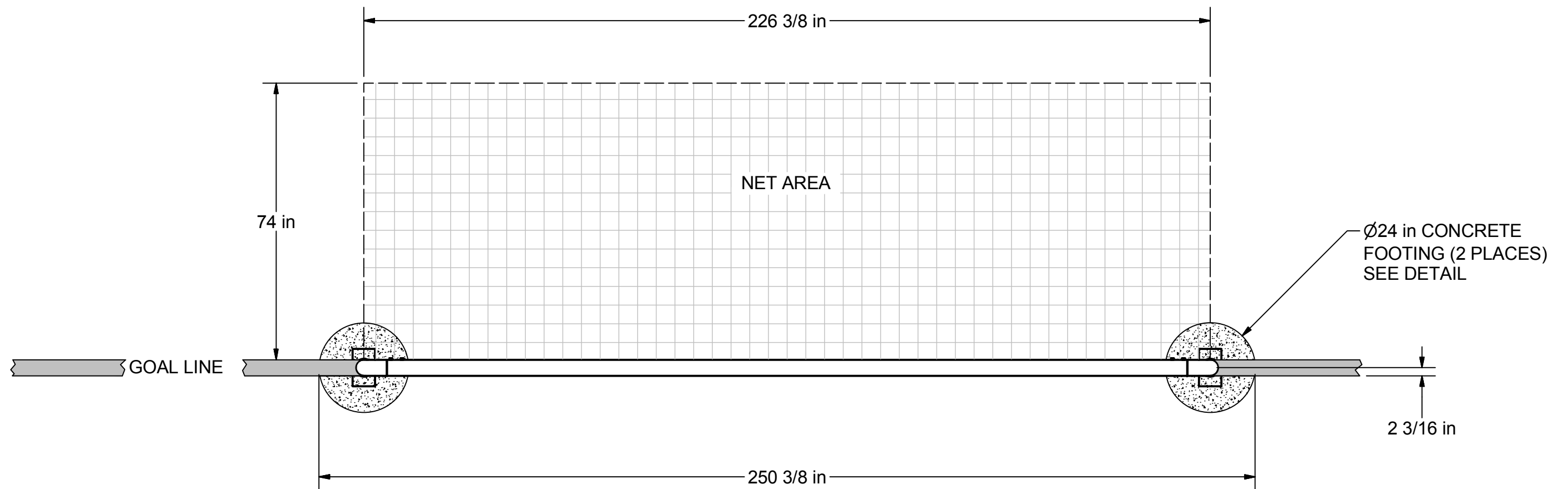
Part #:
25B804

This item is the **exclusive** property of **KWIK GOAL LTD.** Reproduction or duplication **without** the express written consent of **KWIK GOAL LTD.** is **strictly forbidden.**

Drawn By: KFrish
Date: 3/25/2011
Sheet: 1 of 4
Revision #: -
Cad File: 25B804.idw

Desc:
CANADIAN ECONO GOAL - 6 1/2' X 18 1/2'

OVERHEAD VIEW



NOTES:

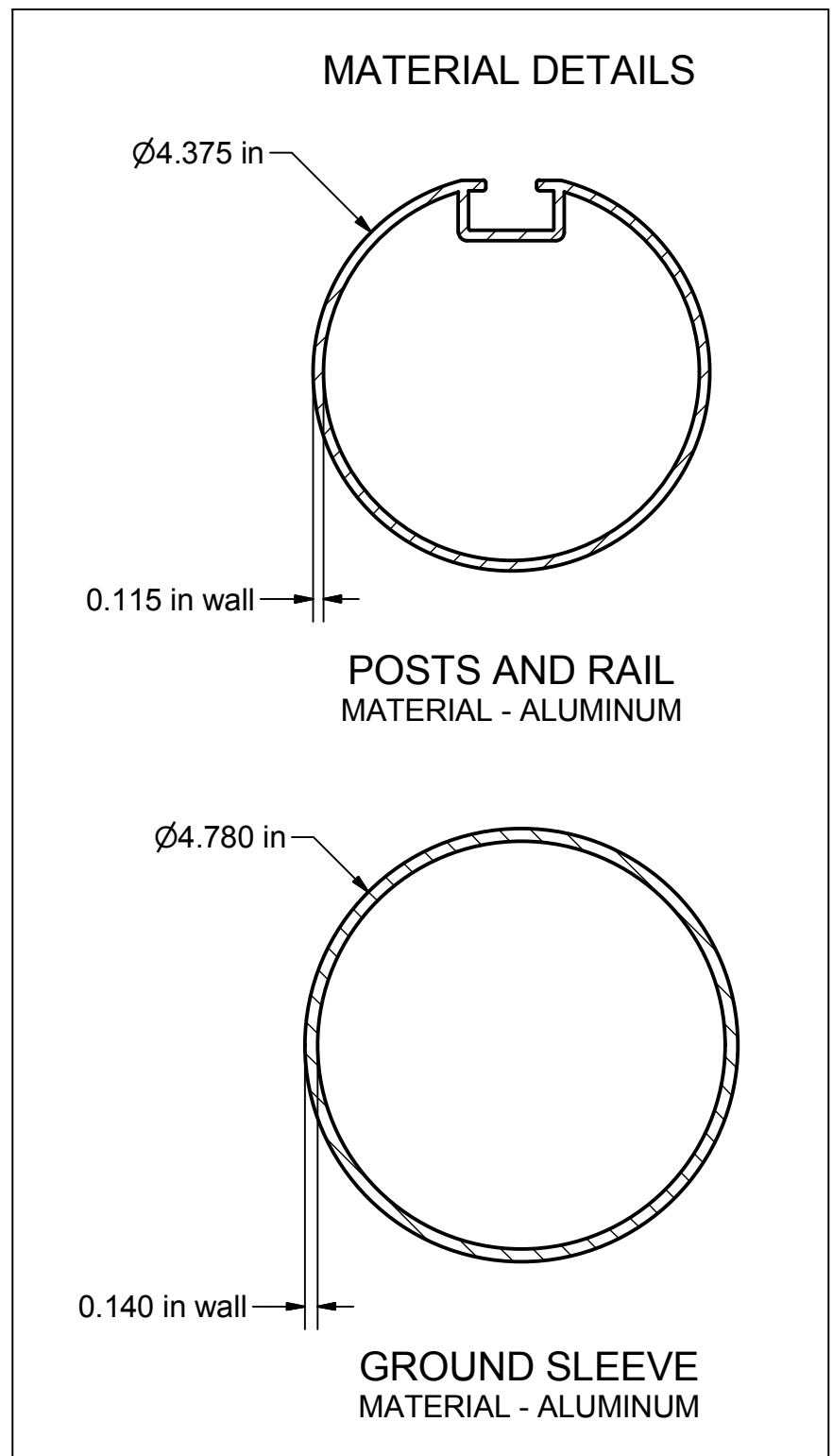
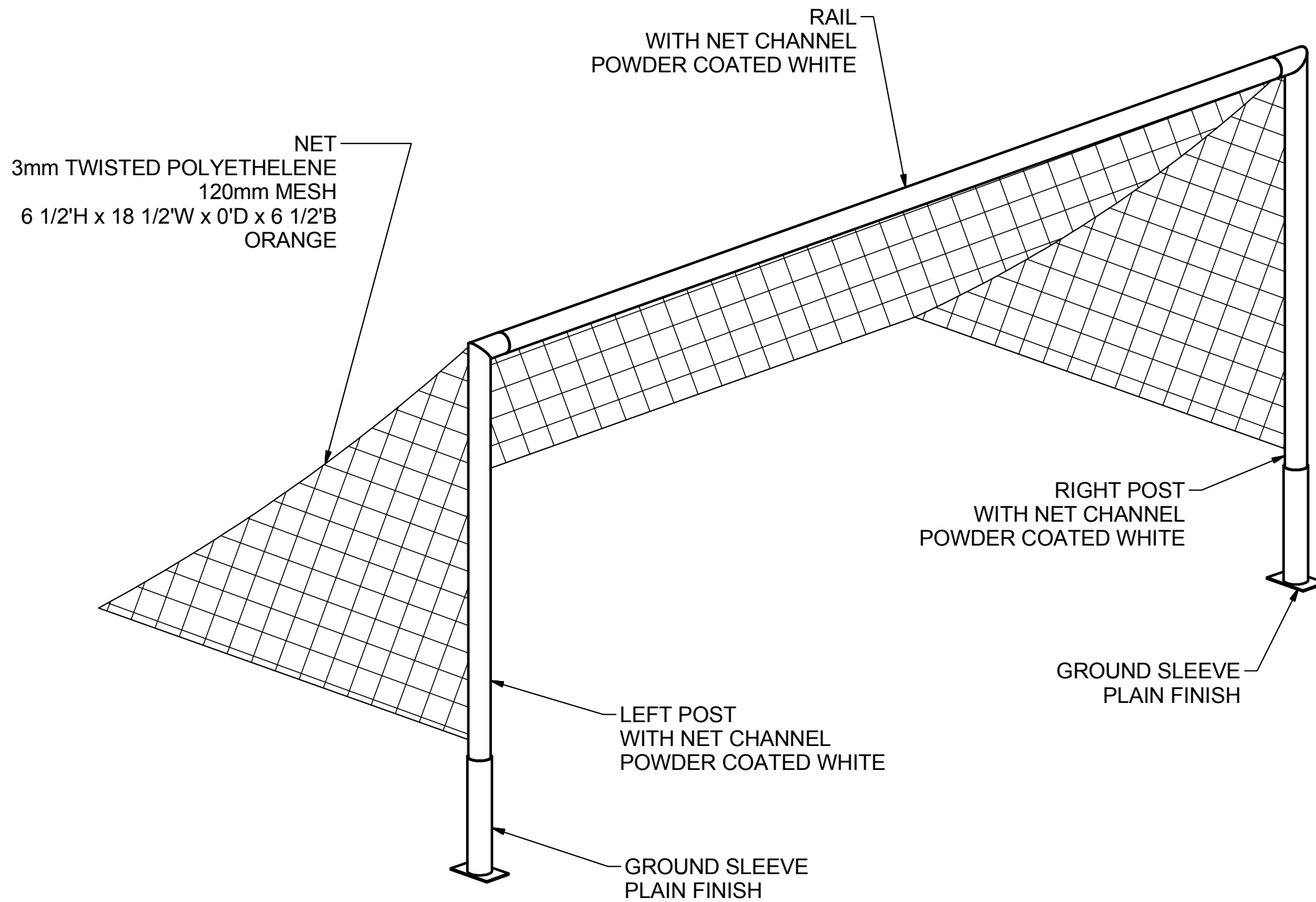
1) DIMENSIONS ARE FOR PLANNING PURPOSES. INSTALLATION MUST BE IN ACCORDANCE WITH INSTALLATION INSTRUCTIONS.

MATERIAL REQUIRED, BUT **NOT** SUPPLIED

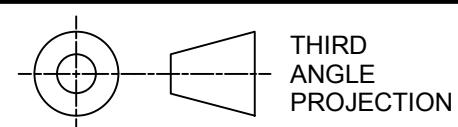
0.5 cubic yard - CONCRETE
 0.3 cubic yard - CLEAN STONE (1/4" - 3/4")
 ABOVE AMOUNTS ARE PER GOAL INSTALLATION

Finish Info.

<p>THIRD ANGLE PROJECTION</p>	<p>140 Pacific Drive Quakertown, Pa. 18951</p>	
	<p>DIMENSIONS ARE IN INCHES UNLESS OTHERWISE SPECIFIED</p>	<p>Approved By:</p> <p>Date:</p>
<p>This item is the exclusive property of KWIK GOAL LTD. Reproduction or duplication without the express written consent of KWIK GOAL LTD. is strictly forbidden.</p>	<p>Drawn By: KFrish</p> <p>Date: 3/25/2011</p> <p>Sheet: 2 of 4</p> <p>Revision #: -</p> <p>Cad File: 25B804.idw</p>	<p>Desc:</p> <p>CANADIAN ECONO GOAL - 6 1/2' X 18 1/2'</p>



Finish Info.



KWIKGOAL® 140 Pacific Drive
Quakertown, Pa. 18951

DIMENSIONS ARE IN INCHES
UNLESS OTHERWISE SPECIFIED

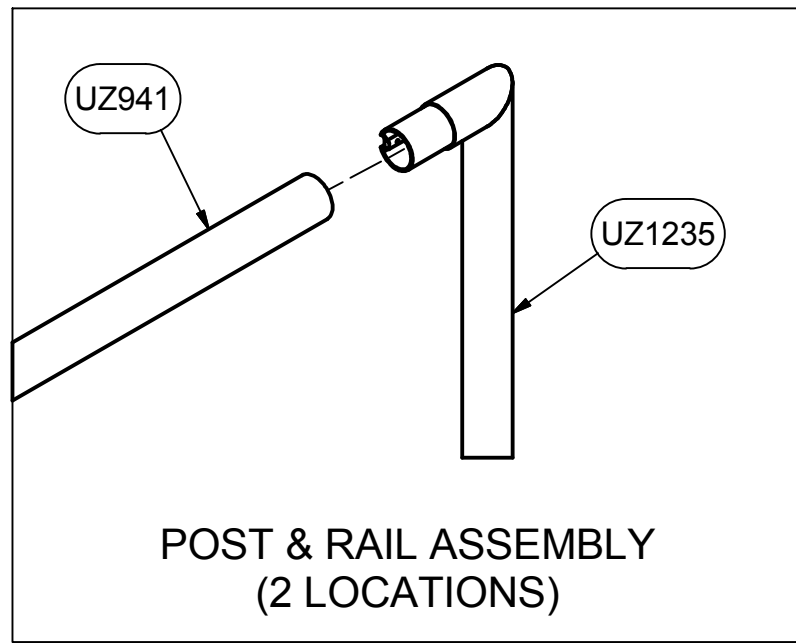
Approved By:
Date:

Part #:
25B804

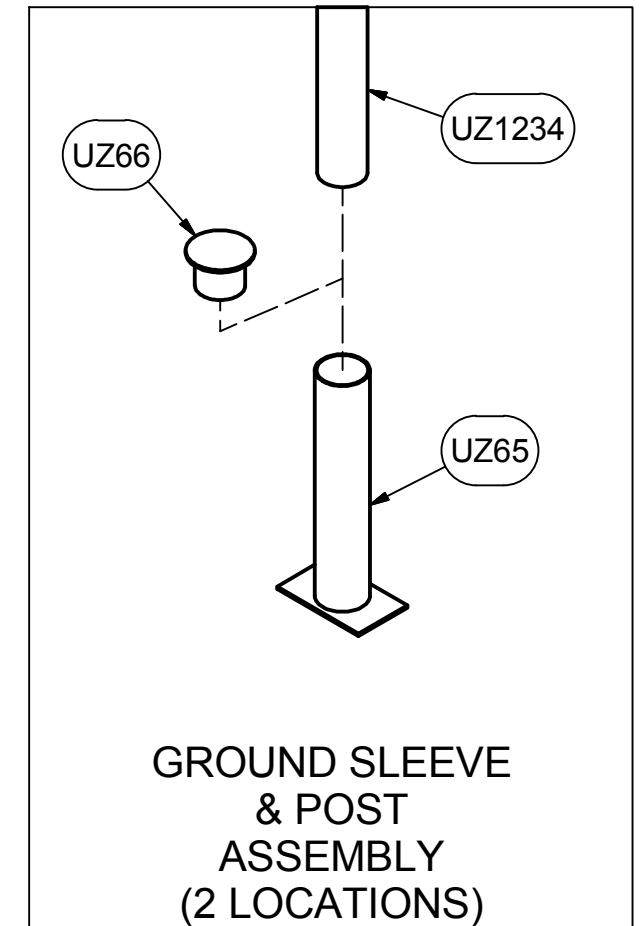
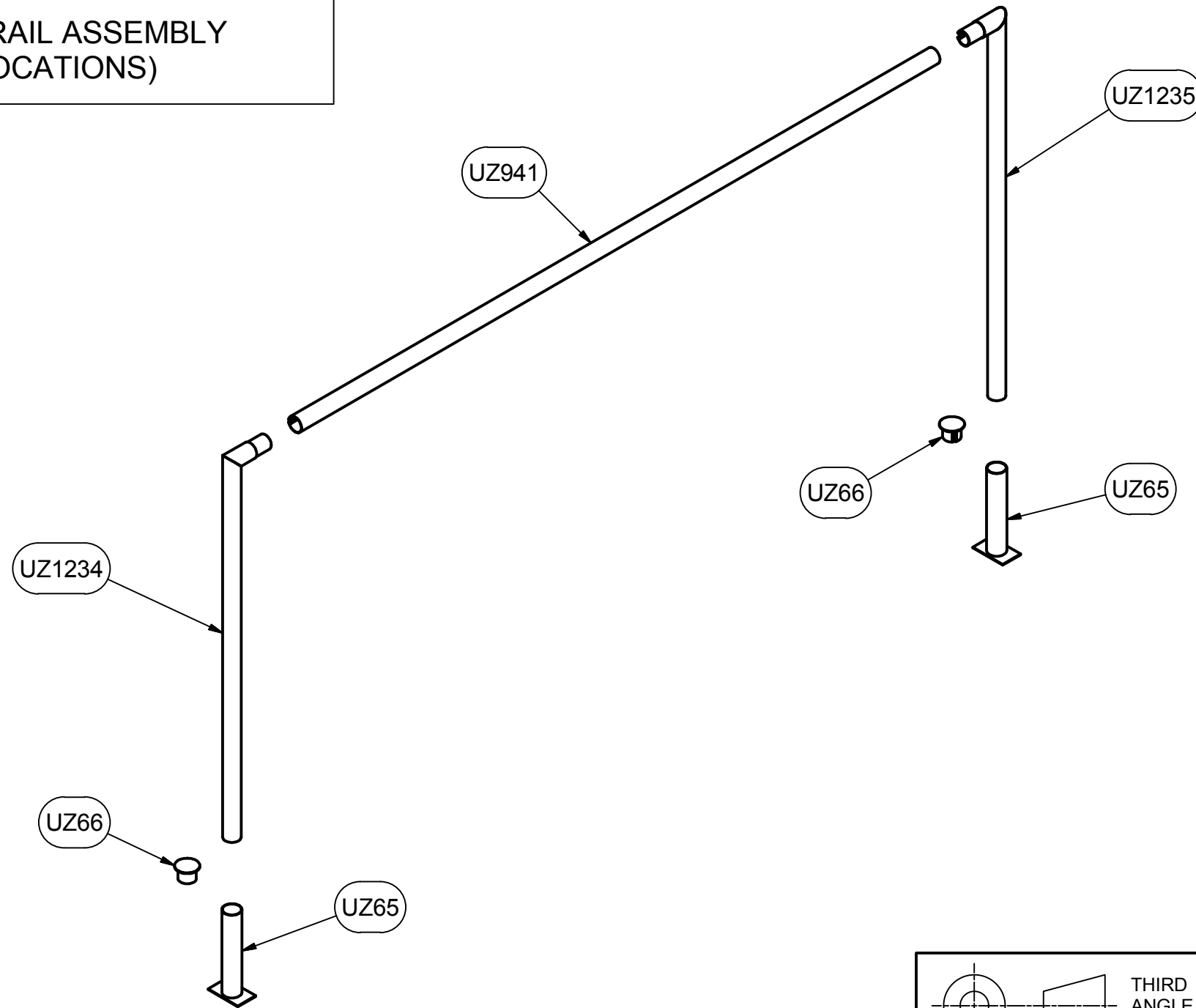
This item is the **exclusive** property of **KWIK GOAL LTD.** Reproduction or duplication **without** the express written consent of **KWIK GOAL LTD.** is **strictly forbidden.**

Drawn By: KFrish
Date: 3/25/2011
Sheet: 3 of 4
Revision #: -
Cad File: 25B804.idw

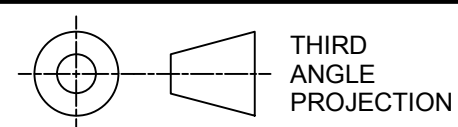
Desc:
CANADIAN ECONO GOAL -
6 1/2' X 18 1/2'



Parts List		
Part #	Qty	Description
UZ1234	1	LEFT POST, 25B803
UZ1235	1	RIGHT POST, 25B803
UZ941	1	Rail, 25B17, 2B2003
UZ65	2	GROUND SLEEVE
UZ66	2	GROUND SLEEVE CAP
0020A	1	NET, 2MM ROPE, 120MM MESH



Finish Info.



KWIKGOAL® 140 Pacific Drive
Quakertown, Pa. 18951

DIMENSIONS ARE IN INCHES
UNLESS OTHERWISE SPECIFIED

Approved By:
Date:

Part #:
25B804

This item is the **exclusive** property of **KWIK GOAL LTD.** Reproduction or duplication **without** the express written consent of **KWIK GOAL LTD.** is **strictly forbidden.**

Drawn By: KFrish
Date: 3/25/2011
Sheet: 4 of 4
Revision #: -
Cad File: 25B804.idw

Desc:
CANADIAN ECONO GOAL -
6 1/2' X 18 1/2'