



**IMPORTANT GOAL SAFETY INSTRUCTIONS**  
**READ CAREFULLY**

1. Check for structural integrity and proper connecting hardware before every use. Replace damaged or missing parts or fasteners immediately.
2. Safety/Warning labels must be clearly visible.
3. Securely anchor moveable soccer goals at ALL times.
4. Always instruct players, managers, coaches, trainers, teachers, maintenance workers and all other personnel who might come in contact with the goal, on the safe handling of and potential dangers associated with moveable soccer goals.
5. Always exercise extreme caution when moving goals and provide adequate manpower to move goals of varied sizes and weights. Moveable soccer goals should only be moved by authorized personnel.
6. NEVER allow anyone to climb on the net or goal framework.
7. Moveable soccer goals should only be used on LEVEL fields, NEVER on a slope or hill area.
8. Remove nets when goals are not in use.
9. Most of the tip-over injuries occurred when goals were unattended. Anchor or chain one goal to another or to nearby fence posts, dugouts, or any other similar sturdy fixture when not in use. If this is not practical, store moveable soccer goals in a place where children cannot have access to them.
10. Fully disassemble goals for seasonal storage.

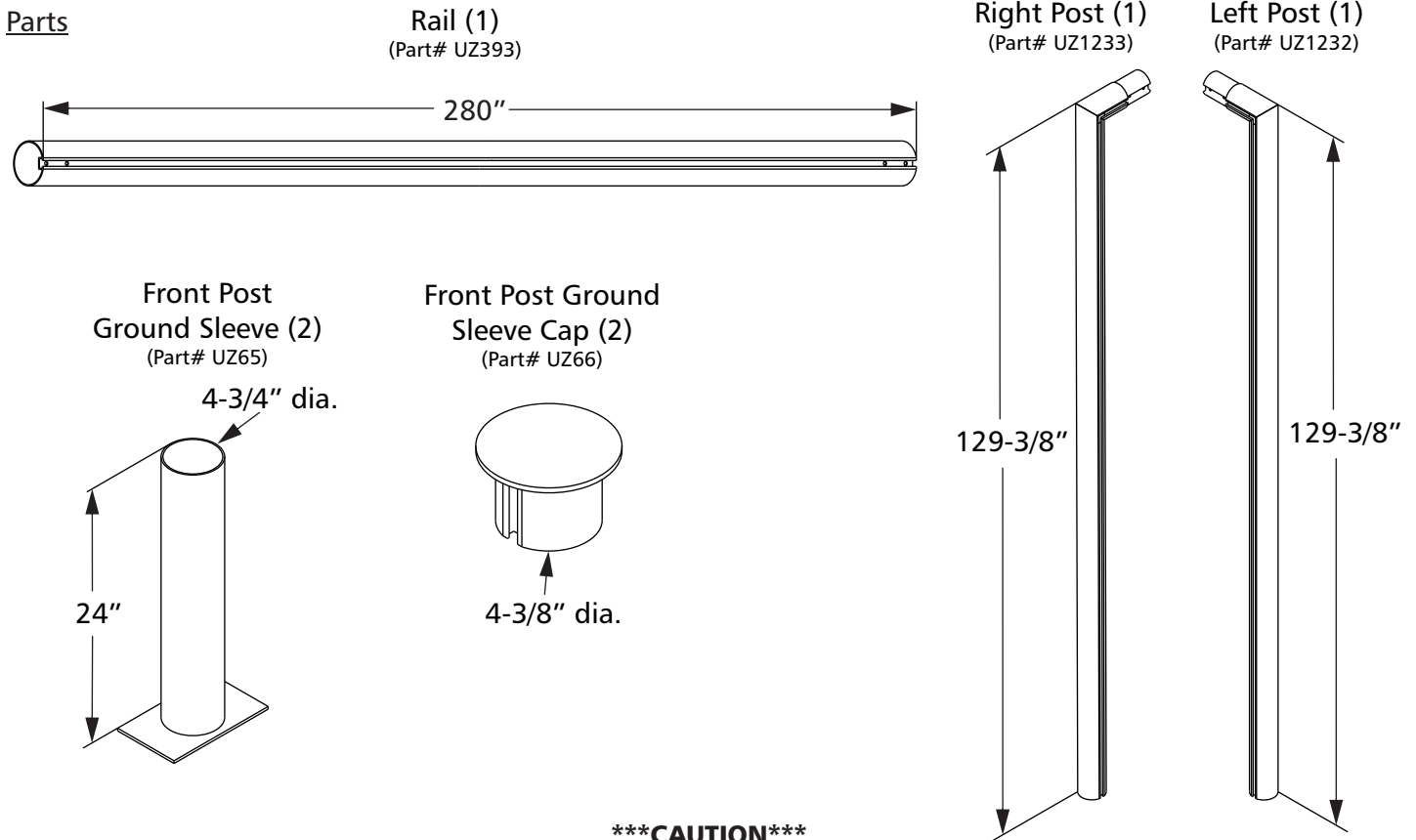


All Kwik Goal products carry a **Lifetime Guarantee**. For help with guarantee issues, visit [kwikgoal.com](http://kwikgoal.com) and click on the **Lifetime Guarantee** logo or contact customer service at 1-800-531-4252.

### ASSEMBLY INSTRUCTIONS FOR 25B806 ECONOMY SOCCER GOAL

1. Unpack all parts and check for damage that may have occurred during shipping. If damage has occurred, notify trucking company immediately. Lay out all parts. Remove all cardboard and packaging immediately. Wet or damp packaging may damage contents.
2. Read through entire instruction before beginning assembly and installation.

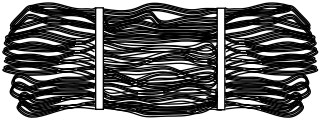
**NOTE: Components may be packaged in one or more additional boxes.**



**\*\*\*CAUTION\*\*\***

**This goal has been designed to be used for the game of soccer only. Goal posts must be anchored AT ALL TIMES and shall be secured against overturning. Do not climb on the net or goal framework at anytime! All fastenings must be checked to insure they are fully tightened before and after each use of this product. Goal posts not in use must be disassembled and properly stored in a safe, secure area. (See Guidelines for Moveable Soccer Goal Safety, included.) Assembled goal posts should not be left unattended. Remove nets when goals are not in use. Do not use this equipment during the threat of high winds. Goal posts should be checked for safety before and after each use. All warning and safety labels included with this product must be visible at all times. Any modifications to this or any Kwik Goal product will void any and all warranties.**

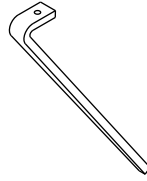
Net (1)  
(Part# 0010A)



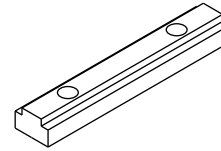
Net Clip (40)  
(Part# VZ116)



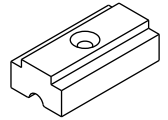
Net Peg (4)  
(Part# NP-2 set of 4)



Channel Spacer (2)  
(Part# UZ812)



T-Spacer (2)  
(Part# WZ442)



Hardware

Note: Hardware may be packaged separately in one or more boxes. Open all packages before beginning assembly.

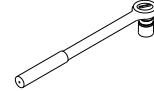
- 1/4" x 1/2" Set Screw (Part# TZ252) (2)
- 3/8" x 1 1/4" Hex Bolt (Part# TZ59) (4)
- 3/8" Lock Washer (Part# TZ65) (4)
- 3/8" Flat Washer (Part# TZ60) (4)

Assembly Tools

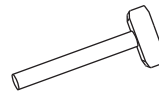
9/16" Wrench



Ratchet with  
9/16" Socket



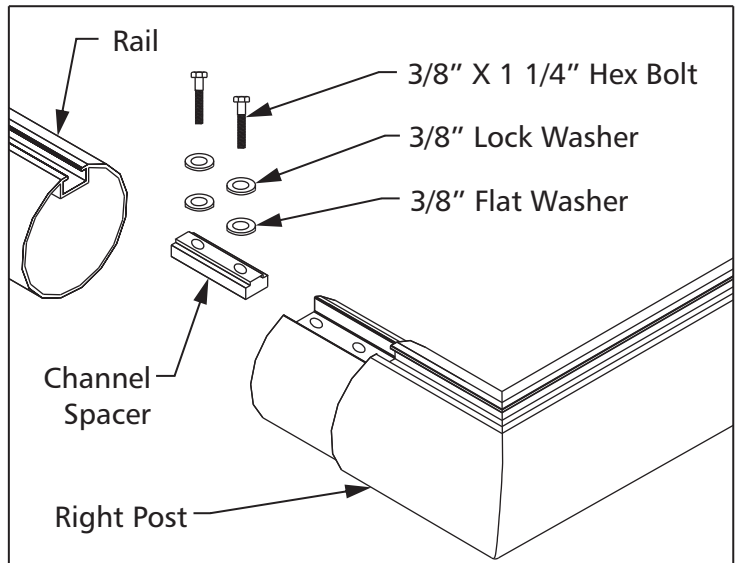
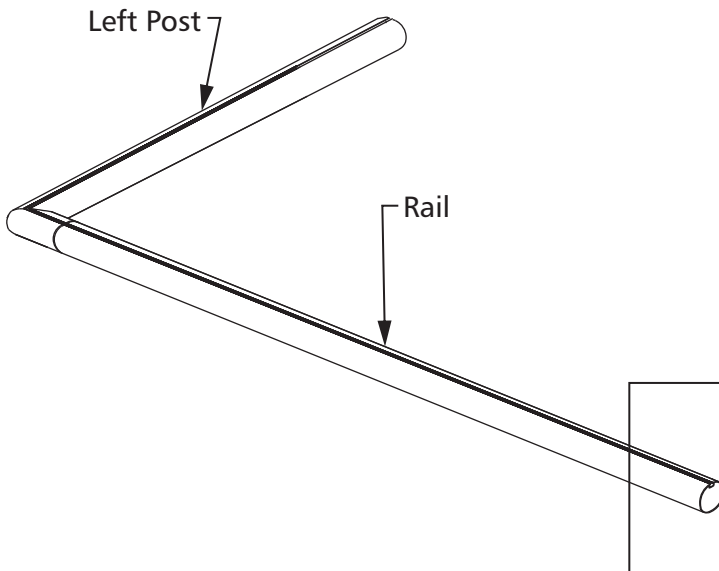
Mallet



1/4" Allen wrench



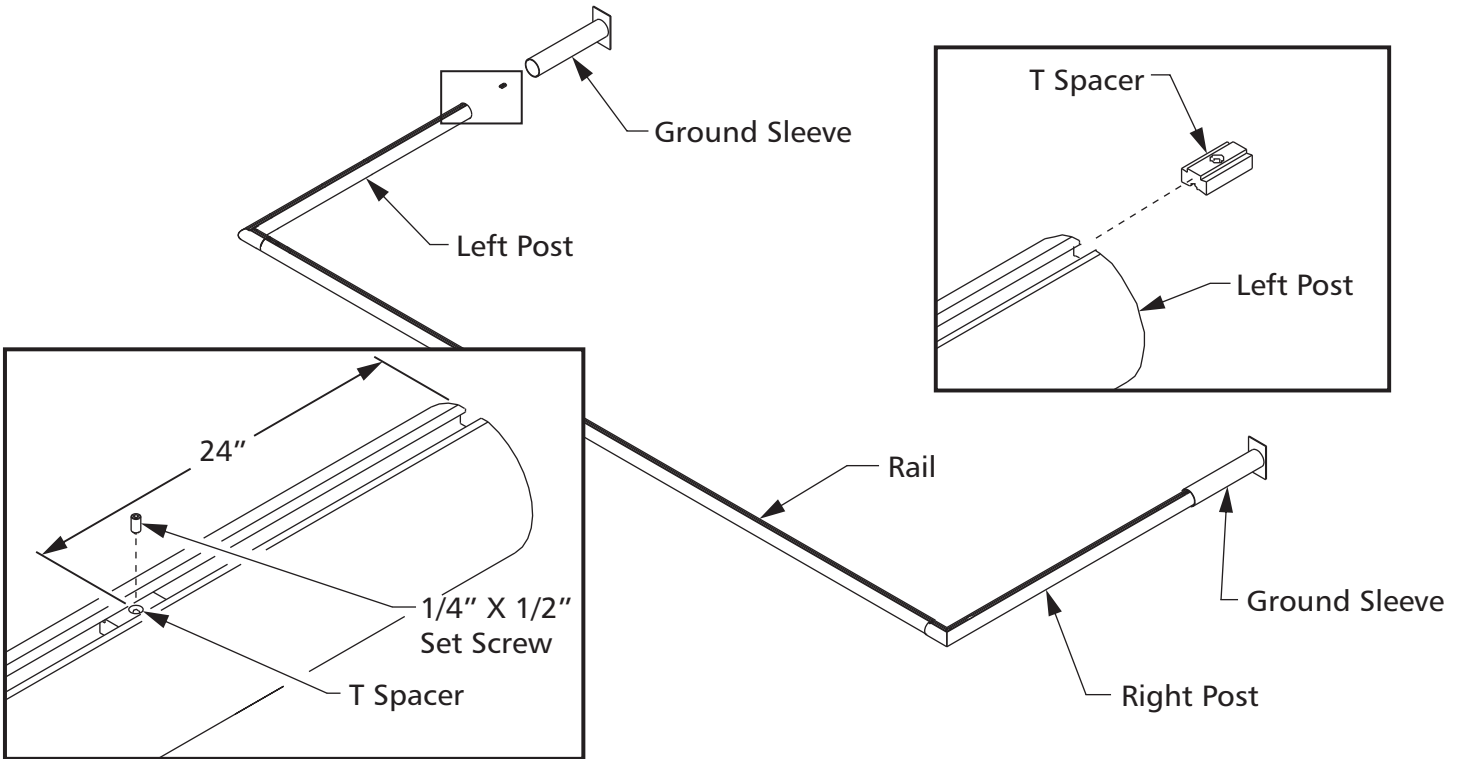
3. Lay out left post and right post face down on turf.
4. Insert channel spacers into channel on each end of rail. Insert sleeve of left post and right post into top rail. Line up all holes. Connect rail with hex bolts.  
**CAUTION: DO NOT OVER-TIGHTEN BOLTS.**



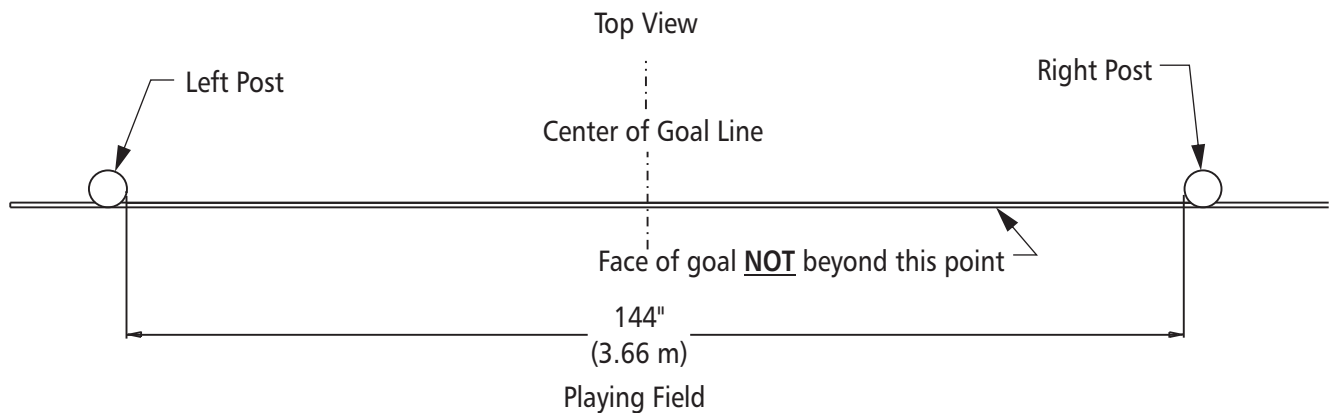
**\*\*\*CAUTION\*\*\***

**This goal has been designed to be used for the game of soccer only. Goal posts must be anchored AT ALL TIMES and shall be secured against overturning. Do not climb on the net or goal framework at anytime! All fastenings must be checked to insure they are fully tightened before and after each use of this product. Goal posts not in use must be disassembled and properly stored in a safe, secure area. (See Guidelines for Moveable Soccer Goal Safety, included.) Assembled goal posts should not be left unattended. Remove nets when goals are not in use. Do not use this equipment during the threat of high winds. Goal posts should be checked for safety before and after each use. All warning and safety labels included with this product must be visible at all times. Any modifications to this or any Kwik Goal product will void any and all warranties.**

5. Insert one T-spacer into left post and right post. Lock T-spacer into position with set screws. Slide front post ground sleeves onto left post and right post



6. Mark field location for front posts.



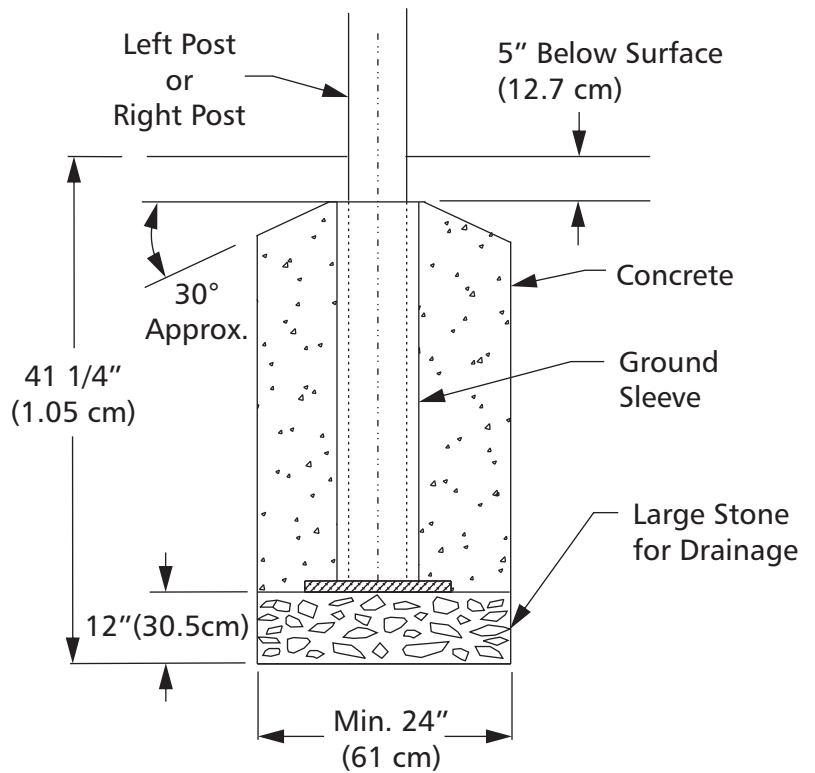
**\*\*\*CAUTION\*\*\***

**This goal has been designed to be used for the game of soccer only. Goal posts must be anchored AT ALL TIMES and shall be secured against overturning. Do not climb on the net or goal framework at anytime! All fastenings must be checked to insure they are fully tightened before and after each use of this product. Goal posts not in use must be disassembled and properly stored in a safe, secure area. (See Guidelines for Moveable Soccer Goal Safety, included.) Assembled goal posts should not be left unattended. Remove nets when goals are not in use. Do not use this equipment during the threat of high winds. Goal posts should be checked for safety before and after each use. All warning and safety labels included with this product must be visible at all times. Any modifications to this or any Kwik Goal product will void any and all warranties.**

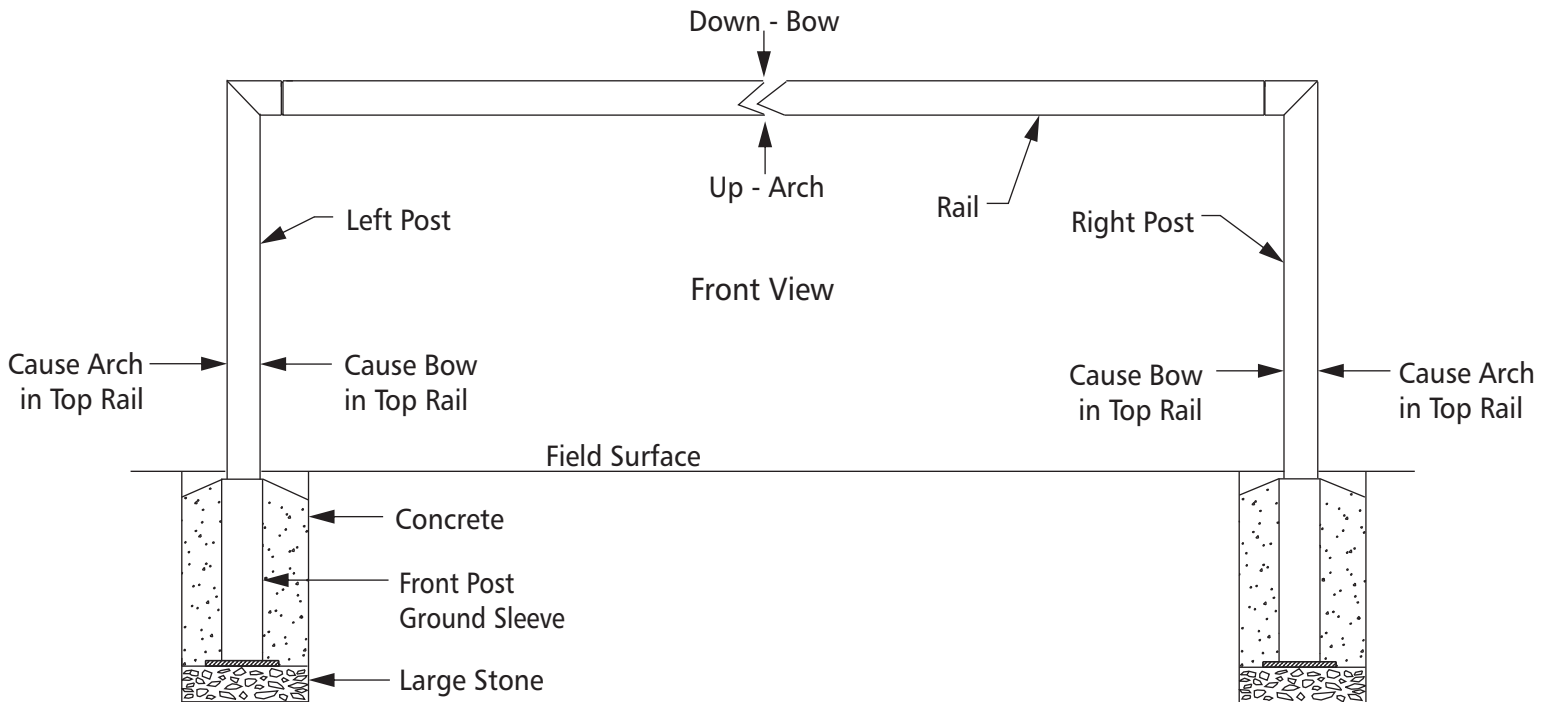
7. Dig two holes 41 1/4" (1.05 m) deep and at minimum of 24" (61 cm) across. Fill bottom of holes with 1" diameter stone until the hole is 29 1/4" (74.3 cm) in depth, or until the top of ground sleeve is 5" (12.7 cm) below field surface.

**NOTE:** The stone base allows water and small debris to flow through the hole located in the bottom of the ground sleeve.

8. Set assembled goal posts with post ground sleeves into holes. Plumb and level goal, making sure the bottom of rail is 6-1/2 feet (1.98 m) from the field surface. Face of the goal post should not enter into playing field. Seal space between left post and right post, and front post ground sleeve with tape, or small bead of sealer. This will stop debris from entering front post ground sleeve during construction.



9. Fill holes with concrete, flush to the top of ground sleeves. After concrete has fully cured, see step 14 for test procedures to ensure the goal has been anchored properly.



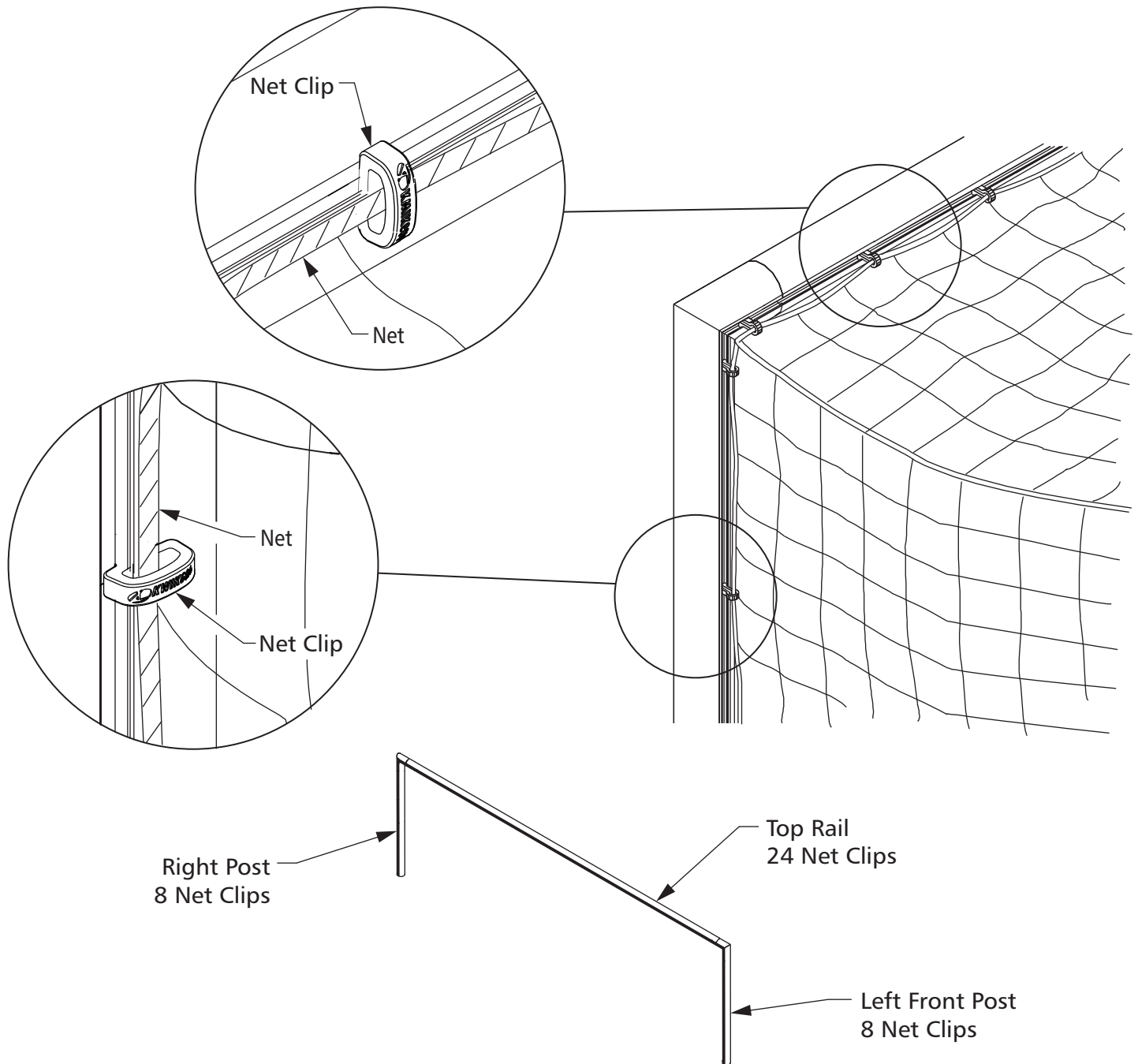
**\*\*\*CAUTION\*\*\***

**This goal has been designed to be used for the game of soccer only. Goal posts must be anchored AT ALL TIMES and shall be secured against overturning. Do not climb on the net or goal framework at anytime! All fastenings must be checked to insure they are fully tightened before and after each use of this product. Goal posts not in use must be disassembled and properly stored in a safe, secure area. (See Guidelines for Moveable Soccer Goal Safety, included.) Assembled goal posts should not be left unattended. Remove nets when goals are not in use. Do not use this equipment during the threat of high winds. Goal posts should be checked for safety before and after each use. All warning and safety labels included with this product must be visible at all times. Any modifications to this or any Kwik Goal product will void any and all warranties.**

11. To attach net to goal, place base of net clip into channel and turn 90 degrees to lock into place.

**CAUTION: DO NOT ATTEMPT TO CLIMB ON GOAL WHILE ATTACHING NET.**

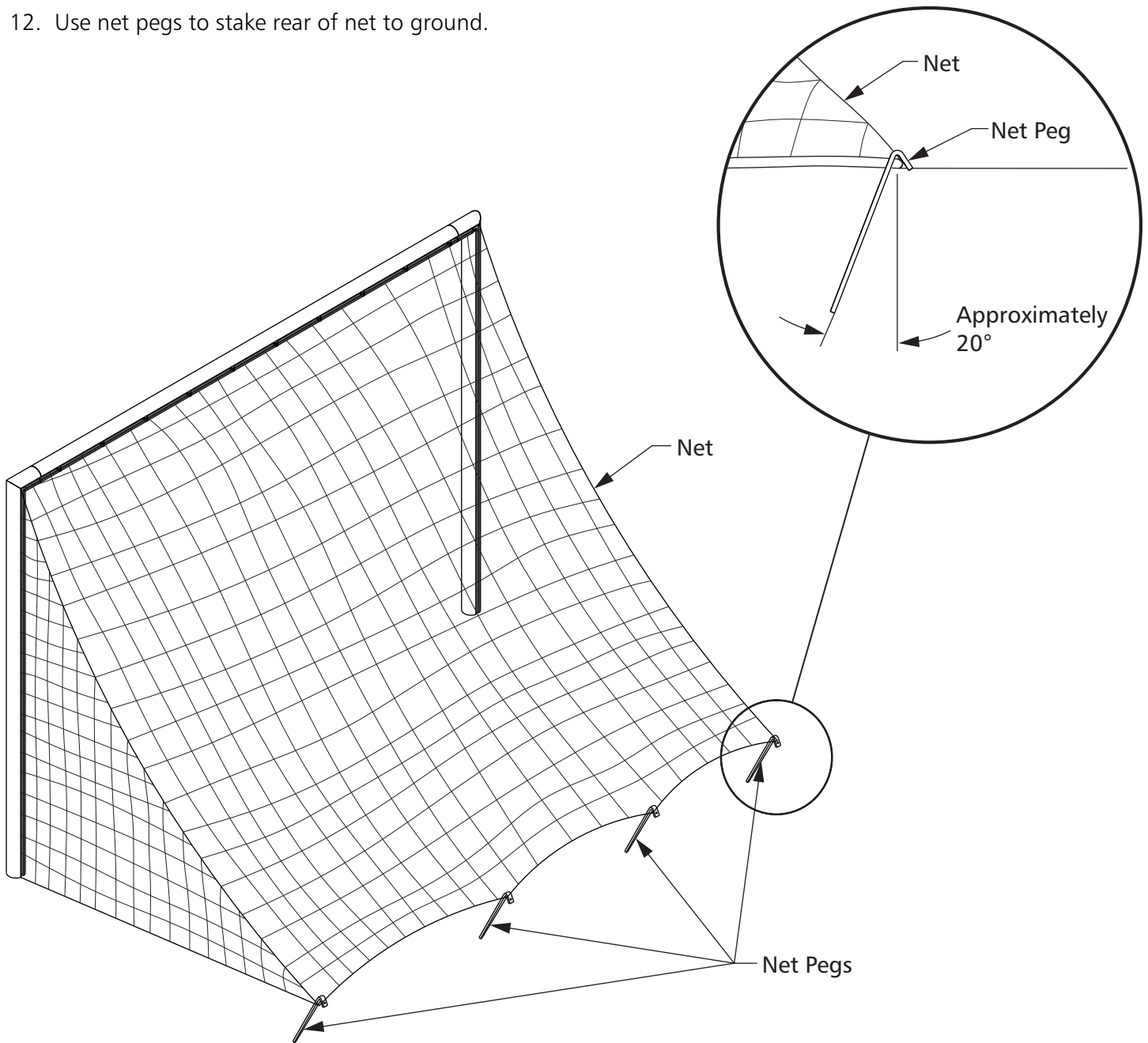
**CAUTION: GOALS MUST BE PROPERLY ANCHORED OR STORED AT ALL TIMES.**



**\*\*\*CAUTION\*\*\***

**This goal has been designed to be used for the game of soccer only. Goal posts must be anchored AT ALL TIMES and shall be secured against overturning. Do not climb on the net or goal framework at anytime! All fastenings must be checked to insure they are fully tightened before and after each use of this product. Goal posts not in use must be disassembled and properly stored in a safe, secure area. (See Guidelines for Moveable Soccer Goal Safety, included.) Assembled goal posts should not be left unattended. Remove nets when goals are not in use. Do not use this equipment during the threat of high winds. Goal posts should be checked for safety before and after each use. All warning and safety labels included with this product must be visible at all times. Any modifications to this or any Kwik Goal product will void any and all warranties.**

12. Use net pegs to stake rear of net to ground.



13. Clear away all soil and debris from top of ground sleeves before removing goal. Be sure to put ground sleeve caps in all ground sleeve openings. Be sure to disassemble and store goal in a safe place to prevent injury. Repeat for back pole removal. **See GUIDELINES FOR MOVEABLE SOCCER GOALS, included for proper storage procedures.**

**\*\*\*CAUTION\*\*\***

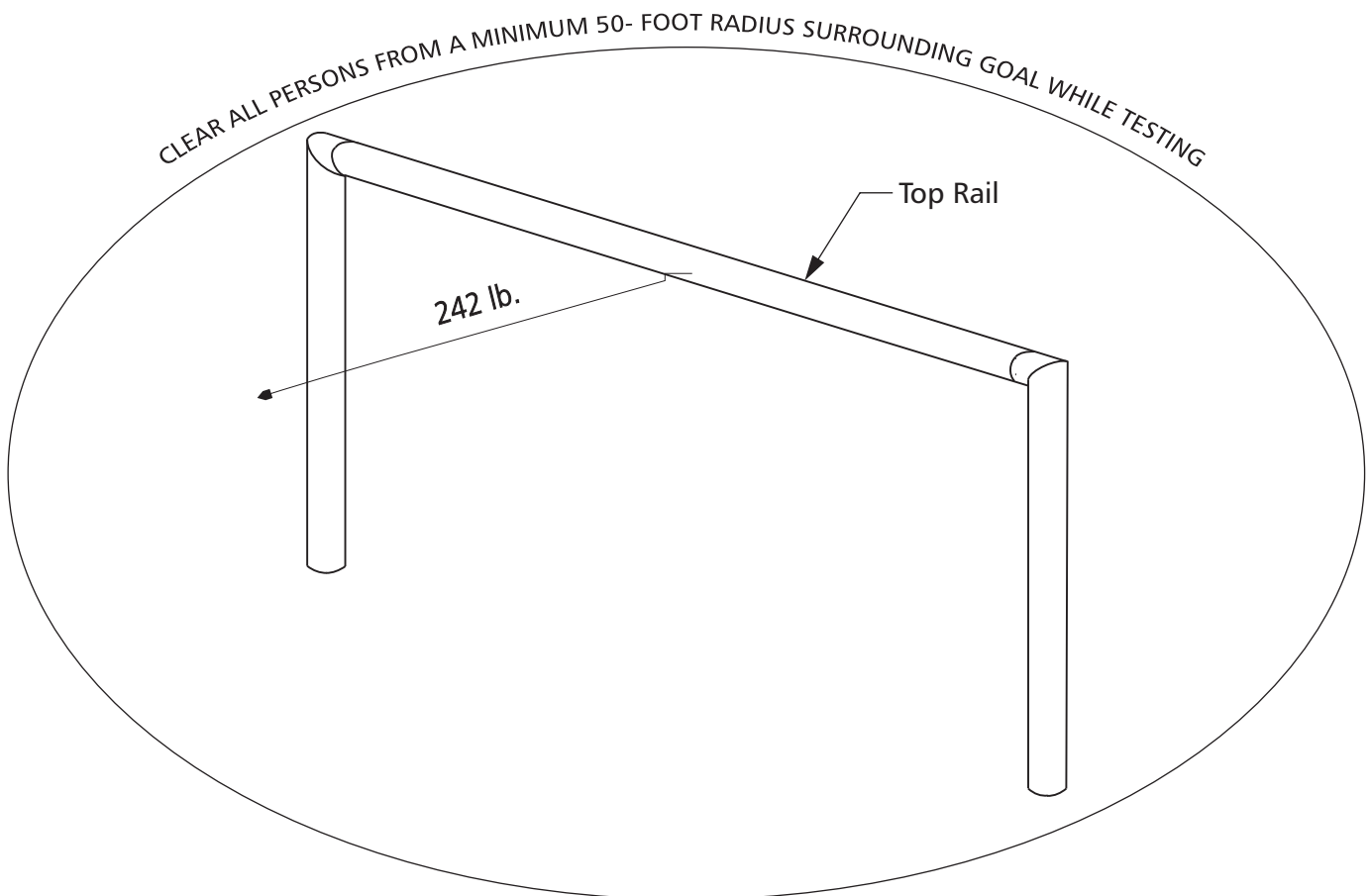
**This goal has been designed to be used for the game of soccer only. Goal posts must be anchored AT ALL TIMES and shall be secured against overturning. Do not climb on the net or goal framework at anytime! All fastenings must be checked to insure they are fully tightened before and after each use of this product. Goal posts not in use must be disassembled and properly stored in a safe, secure area. (See Guidelines for Moveable Soccer Goal Safety, included.) Assembled goal posts should not be left unattended. Remove nets when goals are not in use. Do not use this equipment during the threat of high winds. Goal posts should be checked for safety before and after each use. All warning and safety labels included with this product must be visible at all times. Any modifications to this or any Kwik Goal product will void any and all warranties.**

14. Test as described below to prove anchoring installation is acceptable for use.

### **Anchor Test**

After installing the type of anchoring system chosen to secure goal to field surface:

1. Clear all persons from a minimum 50-foot radius surrounding the goal during testing.
2. Standing in front of goal, apply a horizontal pull force of 242 lbs. in the center or the top rail for 60 seconds (+/- 10 seconds). Full safety precautions must be taken while performing test.
3. Determine if unit tilts or does not return to its original position.
4. If unit tilts or does not return to its original position, use alternate anchoring system.



#### **\*\*\*CAUTION\*\*\***

**This goal has been designed to be used for the game of soccer only. Goal posts must be anchored AT ALL TIMES and shall be secured against overturning. Do not climb on the net or goal framework at anytime! All fastenings must be checked to insure they are fully tightened before and after each use of this product. Goal posts not in use must be disassembled and properly stored in a safe, secure area. (See Guidelines for Moveable Soccer Goal Safety, included.) Assembled goal posts should not be left unattended. Remove nets when goals are not in use. Do not use this equipment during the threat of high winds. Goal posts should be checked for safety before and after each use. All warning and safety labels included with this product must be visible at all times. Any modifications to this or any Kwik Goal product will void any and all warranties.**