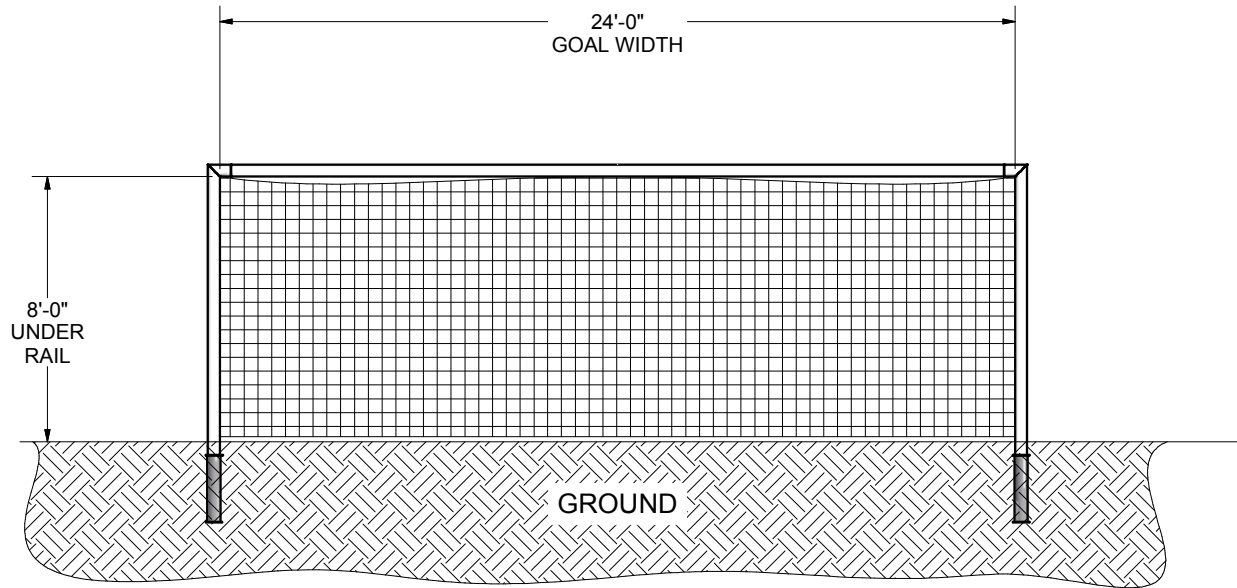
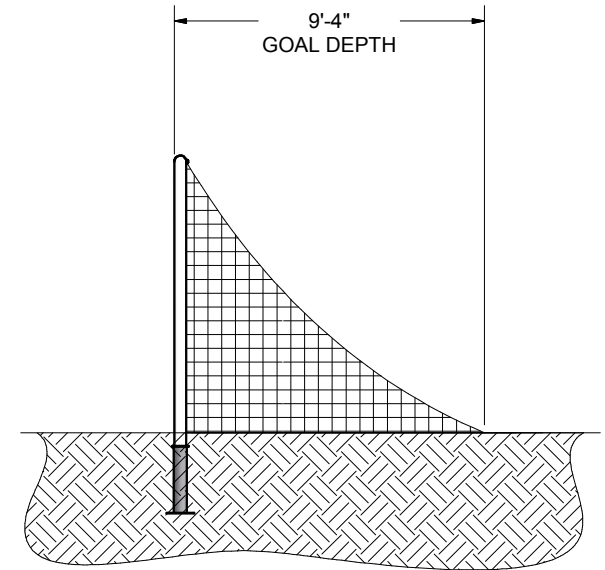


FRONT VIEW



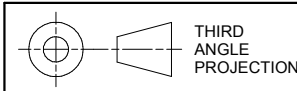
SIDE VIEW



FEATURES:

- 1) ALUMINUM POSTS, RAIL, AND GROUND SLEEVES
- 2) FINISH:
GOAL FRAME - WHITE POWDER COAT
GROUND SLEEVES - PLAIN
- 3) NET, NET PEGS AND CLIPS INCLUDED
- 4) GROUND SLEEVES FOR POSTS INCLUDED
- 5) ASSEMBLED WEIGHT GOAL: 106 LBS.
- 6) EXCEEDS:
NCAA SPECIFICATIONS
NFSHA SPECIFICATIONS
ASTM F2056-00 STANDARDS

Finish Info.



THIRD ANGLE PROJECTION



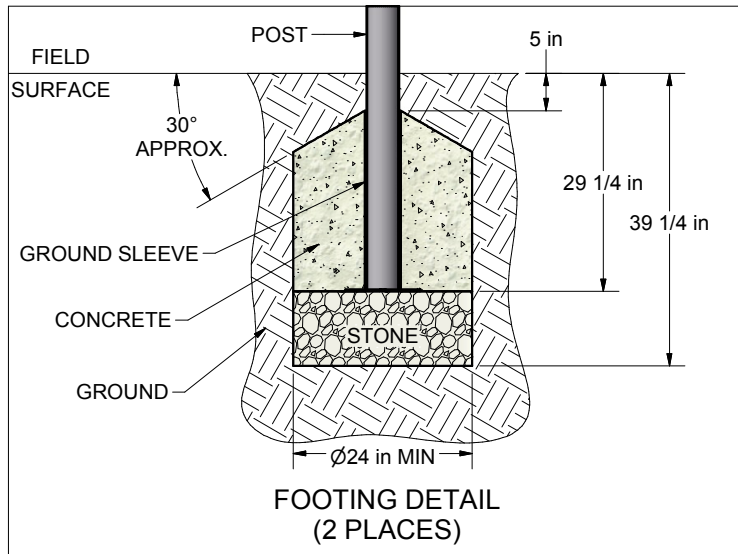
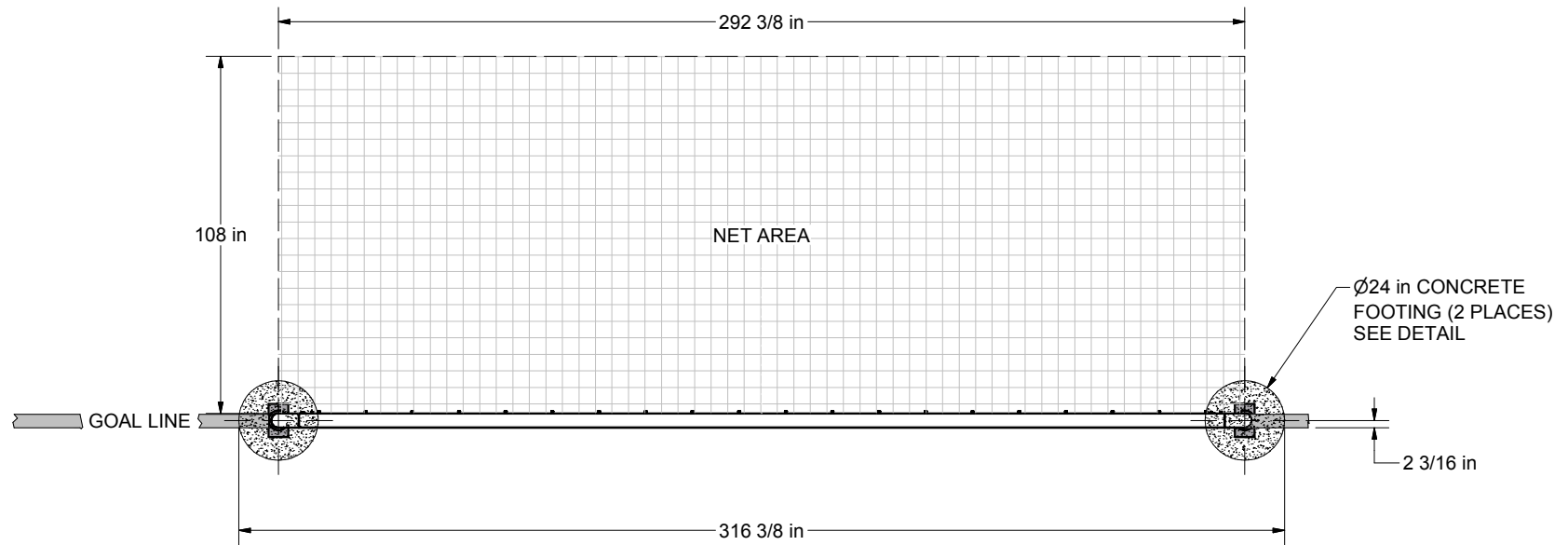
DIMENSIONS ARE IN INCHES UNLESS OTHERWISE SPECIFIED

This item is the **exclusive** property of **KWIK GOAL LTD.** Reproduction or duplication **without** the express written consent of **KWIK GOAL LTD.** is **strictly forbidden.**

Approved By:
Date:
Drawn By: CSpeck
Date: 6/11/2010
Sheet: 1 of 4
Revision #: 1
Cad File: 25B806.idw

Part #:
25B806
Desc:
8' X 24' CANADIAN ECONO GOAL

OVERHEAD VIEW



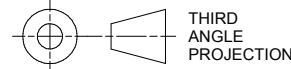
NOTES:

- 1) DIMENSIONS ARE FOR PLANNING PURPOSES. INSTALLATION MUST BE IN ACCORDANCE WITH INSTALLATION INSTRUCTIONS.

MATERIAL REQUIRED, BUT **NOT** SUPPLIED

0.5 cubic yard - CONCRETE
 0.3 cubic yard - CLEAN STONE (1/4" - 3/4")
 ABOVE AMOUNTS ARE PER GOAL INSTALLATION

Finish Info.



THIRD ANGLE PROJECTION



DIMENSIONS ARE IN INCHES UNLESS OTHERWISE SPECIFIED

Approved By:

Part #:

Date:

25B806

This item is the **exclusive** property of **KWIK GOAL LTD.** Reproduction or duplication **without** the express written consent of **KWIK GOAL LTD.** is **strictly forbidden.**

Drawn By: CSpeck

Date: 6/11/2010

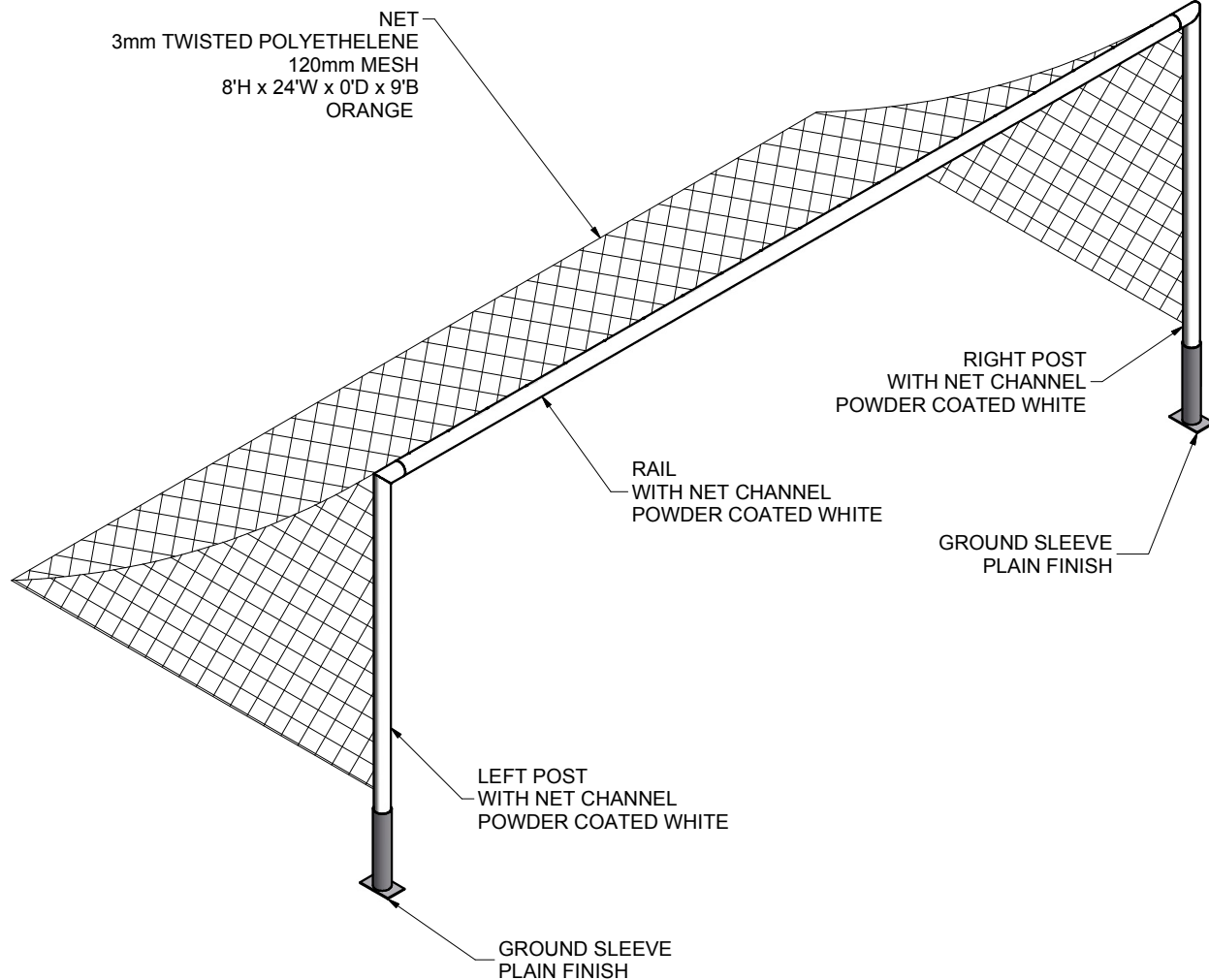
Sheet: 2 of 4

Revision #: 1

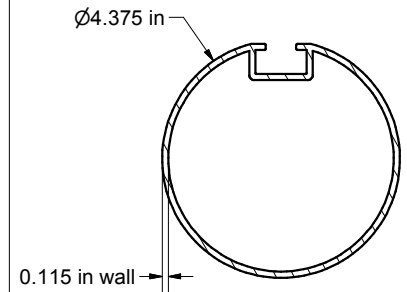
Cad File: 25B806.idw

Desc:

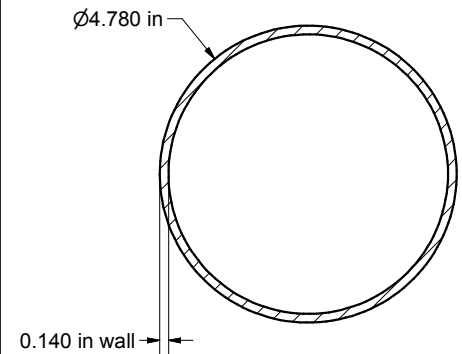
8' X 24' CANADIAN ECONO GOAL



MATERIAL DETAILS

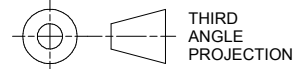


POSTS AND RAIL
MATERIAL - ALUMINUM



GROUND SLEEVE
MATERIAL - ALUMINUM

Finish Info.



DIMENSIONS ARE IN INCHES
UNLESS OTHERWISE SPECIFIED

This item is the **exclusive**
property of **KWIK GOAL LTD.**
Reproduction or duplication
without the express written
consent of **KWIK GOAL LTD.**
is **strictly forbidden.**



Approved By:

Date:

Drawn By: CSpeck

Date: 6/11/2010

Sheet: 3 of 4

Revision #: 1

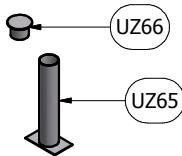
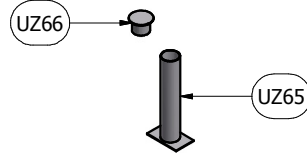
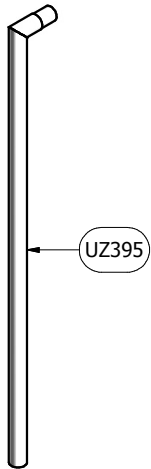
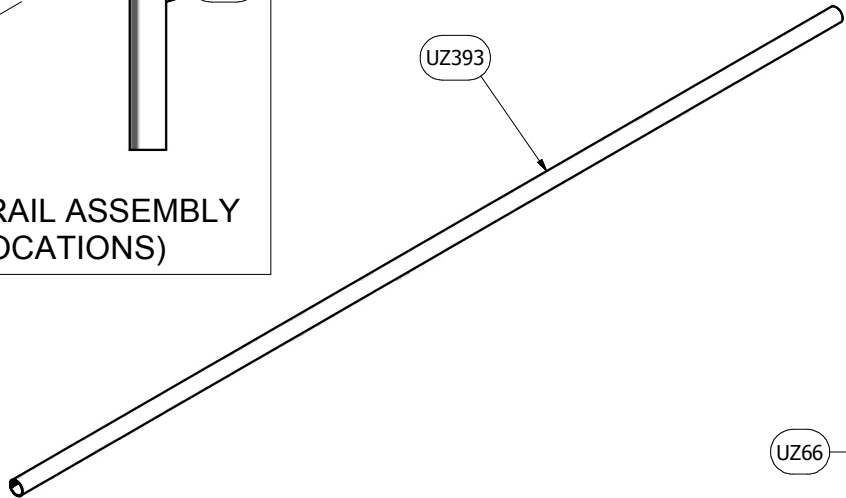
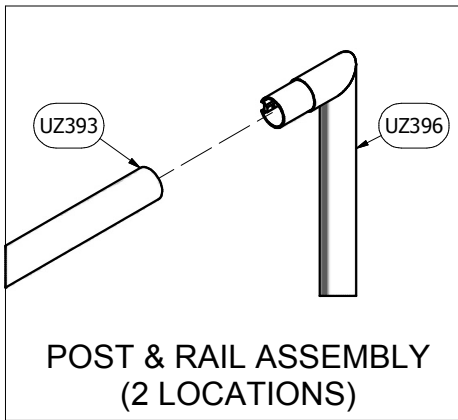
Cad File: 25B806.idw

Part #:

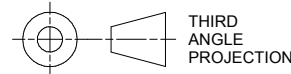
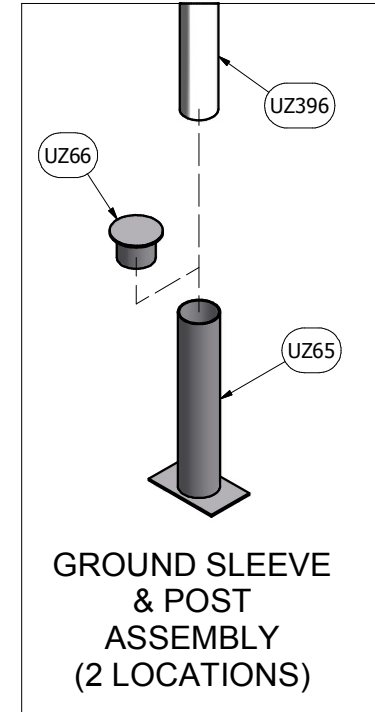
25B806

Desc:

8' X 24' CANADIAN ECONO
GOAL



| Parts List | | |
|------------|-----|---------------------------|
| Part # | Qty | Description |
| UZ65 | 2 | GROUND SLEEVE |
| UZ66 | 2 | GROUND SLEEVE CAP |
| UZ393 | 1 | RAIL |
| UZ396 | 1 | RIGHT POST, 2B8 |
| UZ395 | 1 | LEFT POST, 2B8 |
| 0010A | 1 | NET, 3mm ROPE, 120mm MESH |



DIMENSIONS ARE IN INCHES
UNLESS OTHERWISE SPECIFIED

Approved By:

Part #: **25B806**

Date:

Drawn By: CSpeck

This item is the **exclusive** property of **KWIK GOAL LTD.** Reproduction or duplication **without** the express written consent of **KWIK GOAL LTD.** is **strictly forbidden.**

Date: 6/11/2010

Desc: 8' X 24' CANADIAN ECONO GOAL

Sheet: 4 of 4

Revision #: 1

Cad File: 25B806.idw

Finish Info.