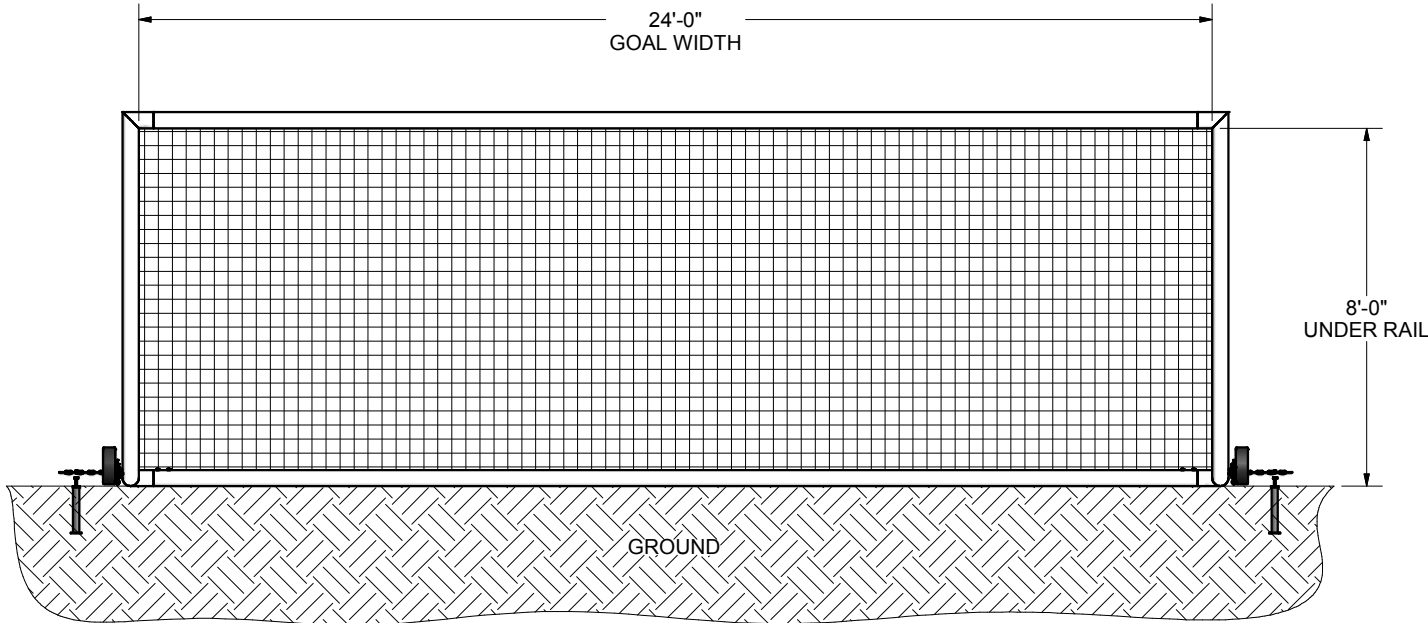
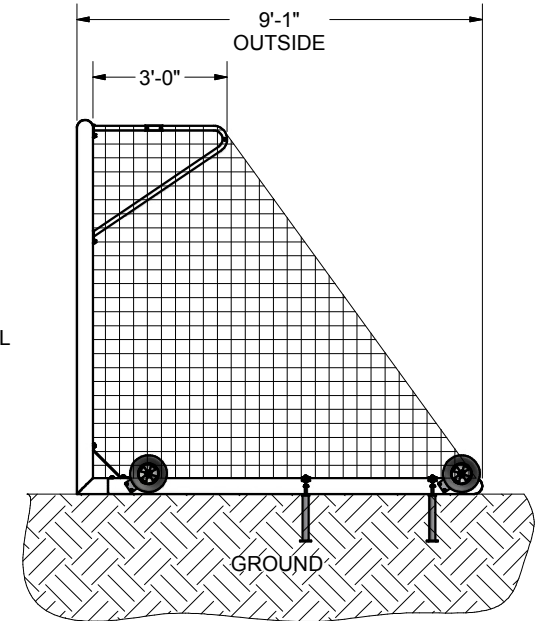


FRONT VIEW



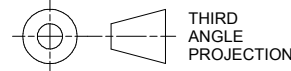
SIDE VIEW



FEATURES:

- 1) ALUMINUM GOAL FRAME AND BACKDROPS
- 2) FINISH: WHITE POWDER COAT
- 3) INCLUDED:
 - SEMI PERMANENT GROUND ANCHORS
 - 3 mm, 2" MESH, WHITE NET
 - TAMPER RESISTANT NET CLIPS
 - TAMPER RESISTANT STAINLESS STEEL HARDWARE
 - 4 RELIANCE TURF PRO NO-FLAT TIRES
- 4) ASSEMBLED GOAL WEIGHT: 260 LBS.
- 5) EXCEEDS:
 - NCAA SPECIFICATIONS
 - NFSHSA SPECIFICATIONS
 - ASTM F2056-00 STANDARDS
 - APPROVED BY CITY OF MONTREAL

Finish Info. White Powder Coat



DIMENSIONS ARE IN INCHES
UNLESS OTHERWISE SPECIFIED

This item is the **exclusive** property of **KWIK GOAL LTD.** Reproduction or duplication **without** the express written consent of **KWIK GOAL LTD.** is **strictly forbidden.**



Approved By:

Date:

Drawn By: brush

Date: 3/5/2003

Sheet: 1 of 4

Revision #: 2

Cad File: 25B05.idw

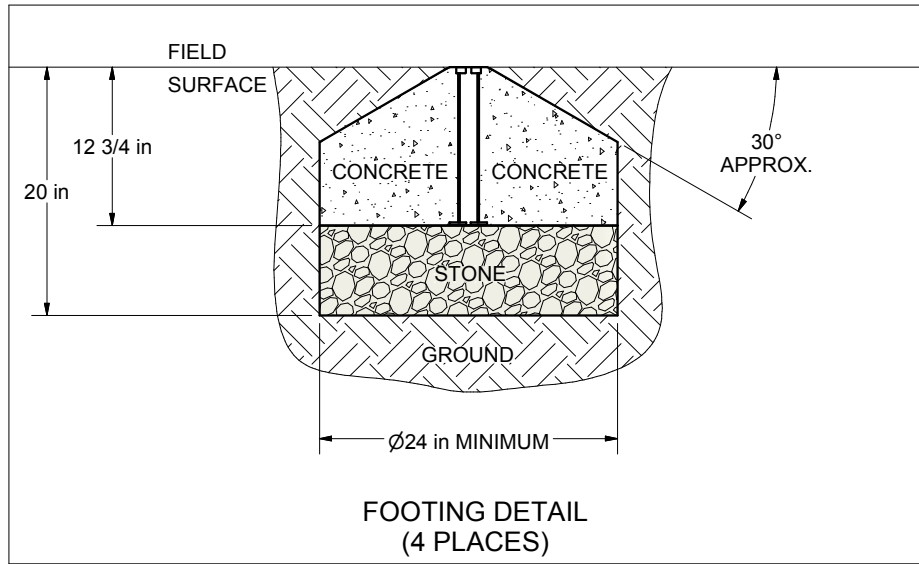
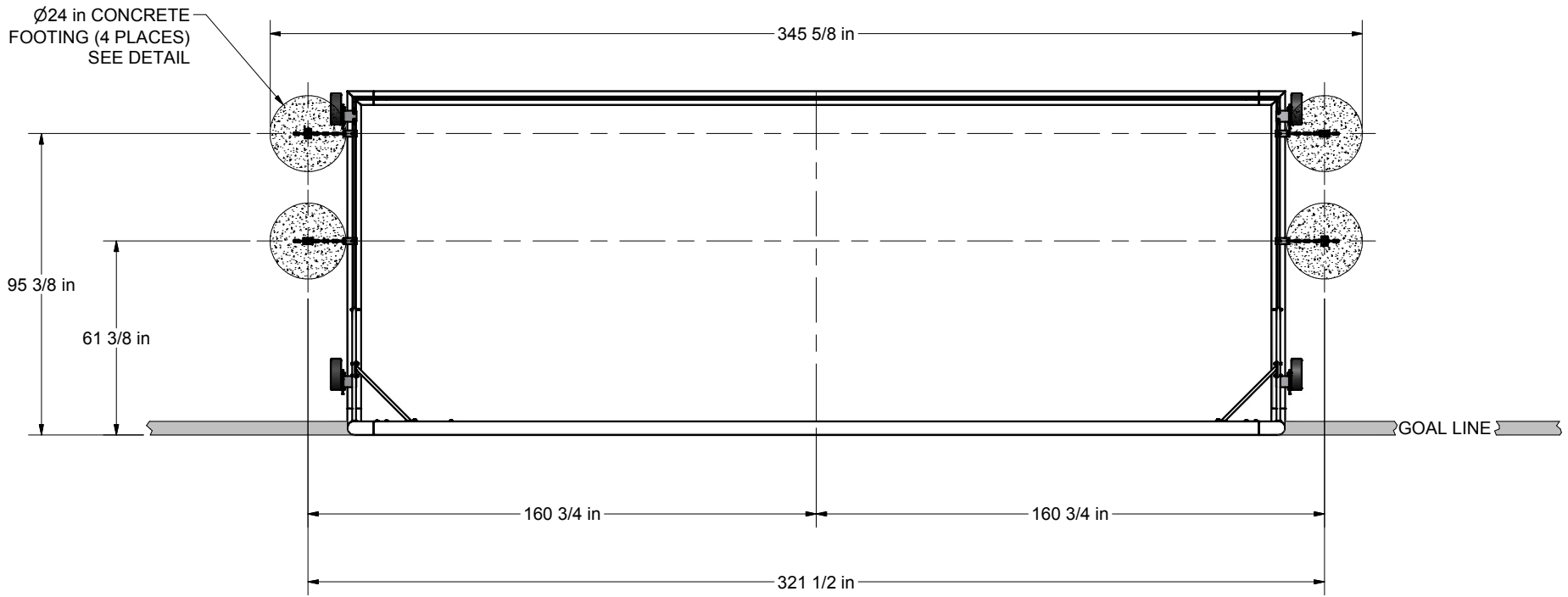
Part #:

25B05

Desc:

8' X 24' CANADIAN PRO
PREMIER EURO

OVERHEAD VIEW



NOTES:

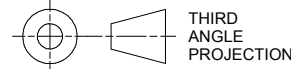
1) DIMENSIONS ARE FOR PLANNING PURPOSES. INSTALLATION MUST BE IN ACCORDANCE WITH INSTALLATION INSTRUCTIONS.

MATERIAL REQUIRED, BUT NOT SUPPLIED

0.5 cubic yard - CONCRETE
 0.3 cubic yard - CLEAN STONE (1/4" - 3/4")
 ABOVE AMOUNTS ARE PER GOAL INSTALLATION

FOOTING DETAIL
(4 PLACES)

Finish Info. White Powder Coat



THIRD
ANGLE
PROJECTION

KWIKGOAL® 140 Pacific Drive
 Quakertown,
 Pa. 18951

DIMENSIONS ARE IN INCHES
 UNLESS OTHERWISE SPECIFIED

Approved By:

Part #:

Date:

25B05

This item is the **exclusive** property of **KWIK GOAL LTD.** Reproduction or duplication **without** the express written consent of **KWIK GOAL LTD.** is **strictly forbidden.**

Drawn By: brush

Date: 3/5/2003

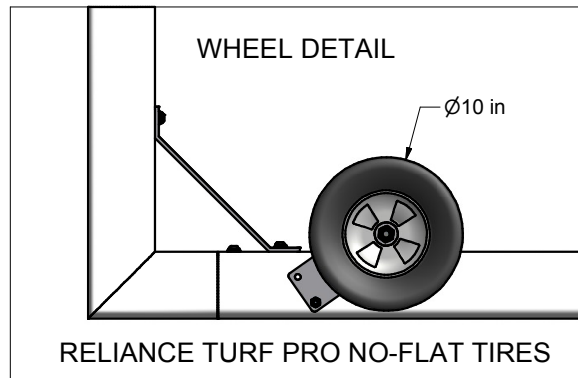
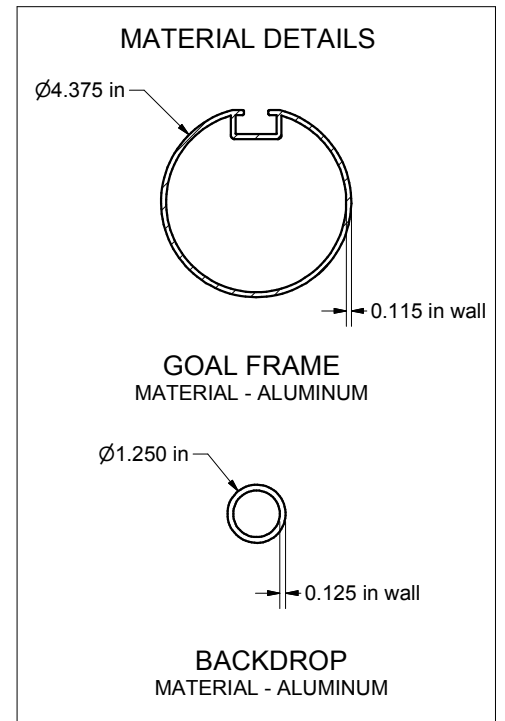
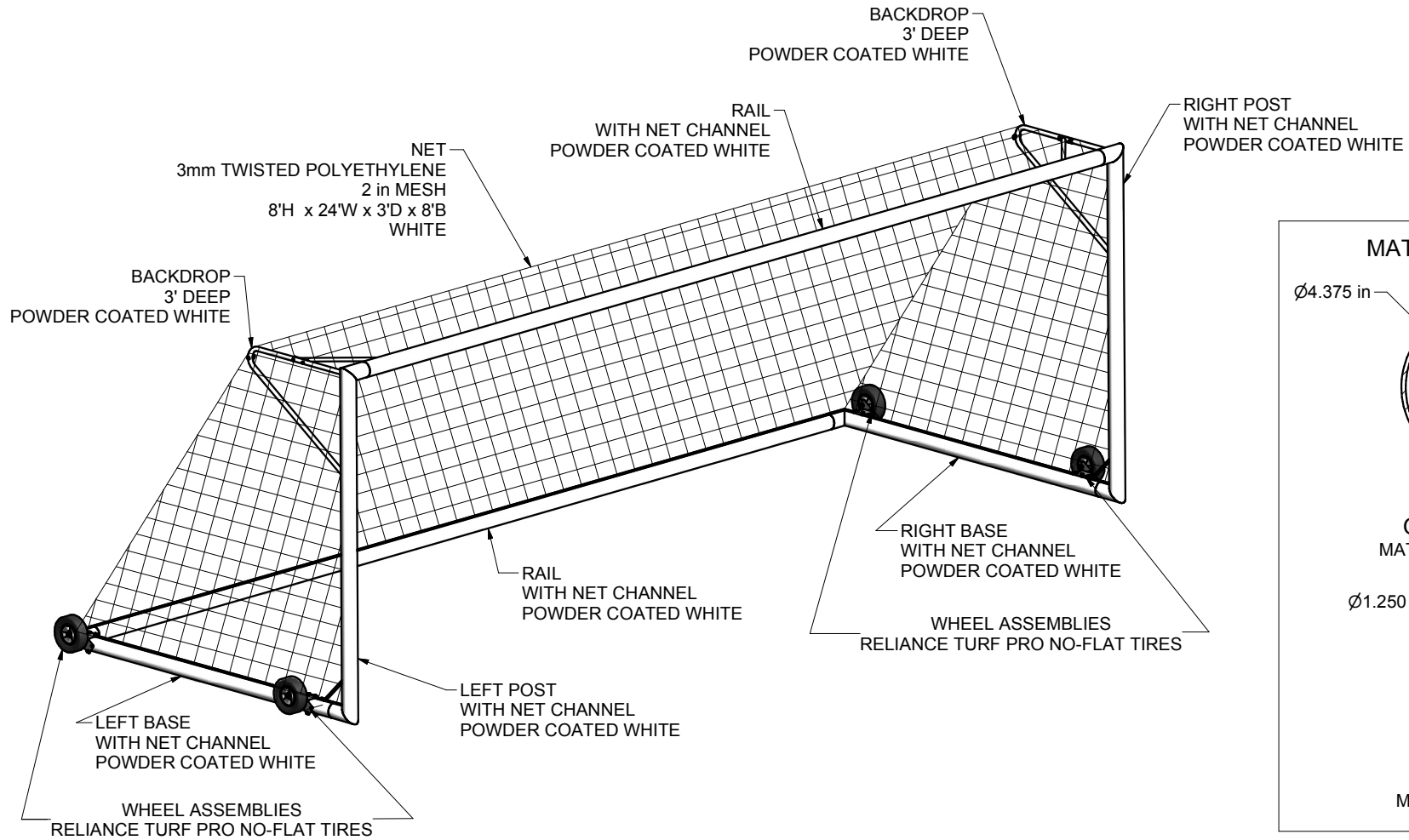
Sheet: 2 of 4

Revision #: 2

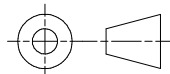

Cad File: 25B05.idw

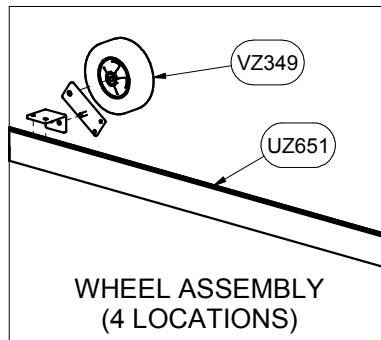
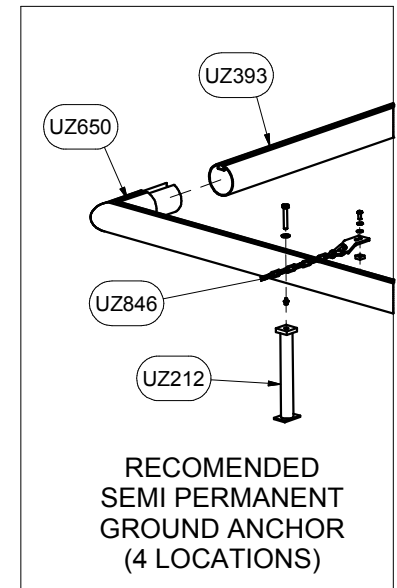
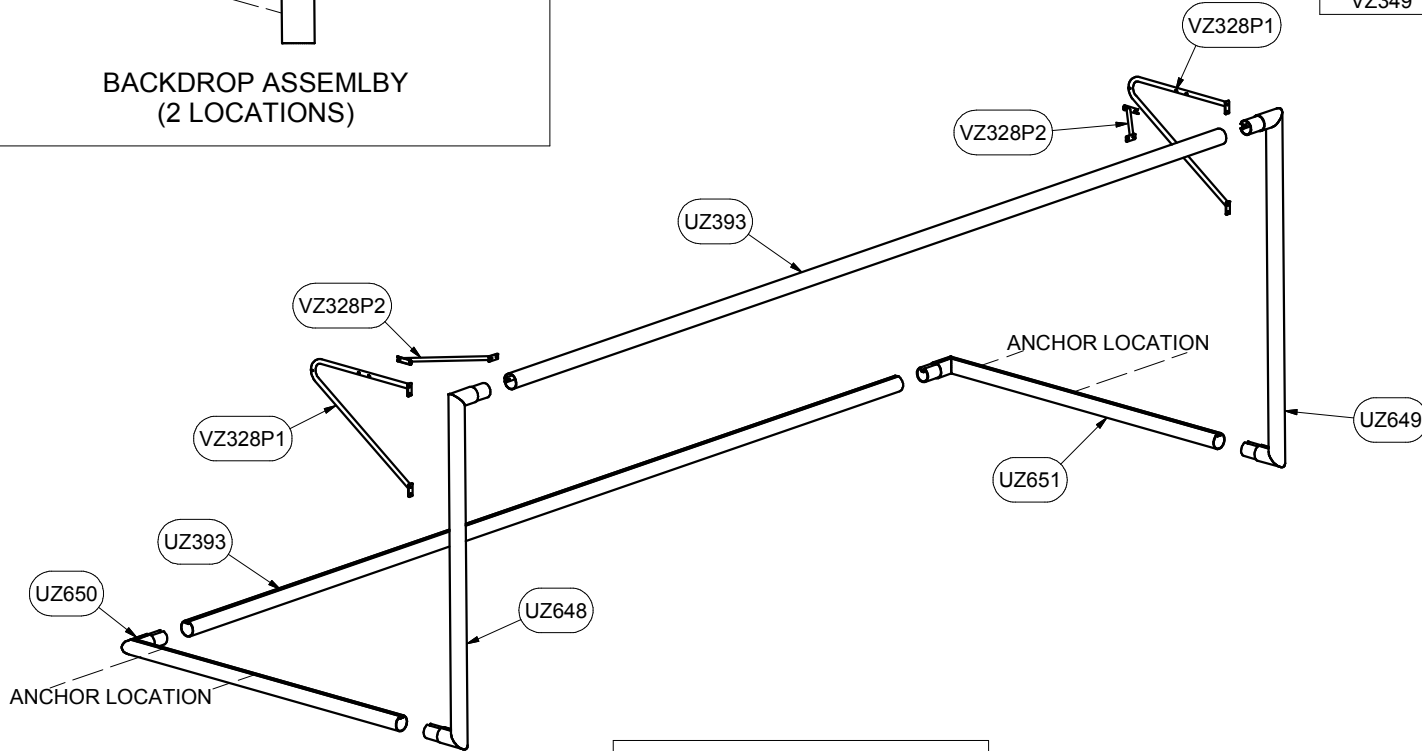
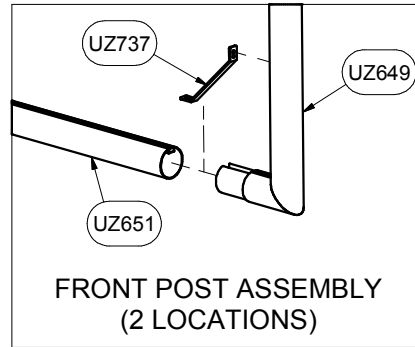
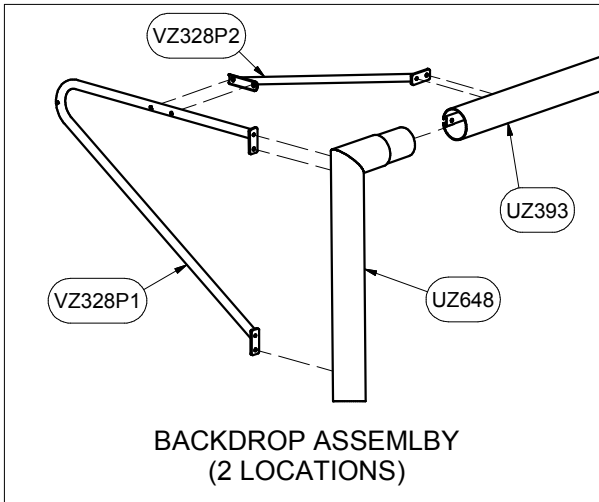
Desc:

8' X 24' CANADIAN PRO
 PREMIER EURO



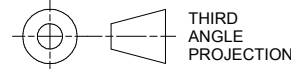
Finish Info. White Powder Coat

 THIRD ANGLE PROJECTION	 140 Pacific Drive Quakertown, Pa. 18951	
	DIMENSIONS ARE IN INCHES UNLESS OTHERWISE SPECIFIED	Approved By: _____ Date: _____
This item is the exclusive property of KWIK GOAL LTD. Reproduction or duplication without the express written consent of KWIK GOAL LTD. is strictly forbidden.	Drawn By: brush	Desc: 8' X 24' CANADIAN PRO PREMIER EURO
	Date: 3/5/2003	
	Sheet: 3 of 4	
	Revision #: 2	
Cad File: 25B05.idw		



Parts List		
Part #	Qty	Description
UZ393	2	RAIL
UZ649	1	RIGHT POST, 2B2001
UZ648	1	LEFT POST, 2B2001
UZ651	1	RIGHT BASE, 2B2001
UZ650	1	LEFT BASE, 2B2001
UZ212	4	GROUND ANCHOR
UZ846	4	CHAIN ASSEMBLY, GRND ANCHOR
UZ737	2	Front Post Brace
VZ328P2	2	BACKSTAY BRACE
VZ328P1	2	BACKSTAY
3B1621	1	NET, 3MM ROPE, 2" MESH
VZ349	4	FLAT PROOF TIRE

Finish Info. White Powder Coat



DIMENSIONS ARE IN INCHES UNLESS OTHERWISE SPECIFIED

This item is the **exclusive** property of **KWIK GOAL LTD.** Reproduction or duplication **without** the express written consent of **KWIK GOAL LTD.** is **strictly forbidden.**



Approved By:

Date:

Drawn By: brush

Date: 3/5/2003

Sheet: 4 of 4

Revision #: 2

Cad File: 25B05.idw

Part #:

25B05

Desc:

8' X 24' CANADIAN PRO PREMIER EURO