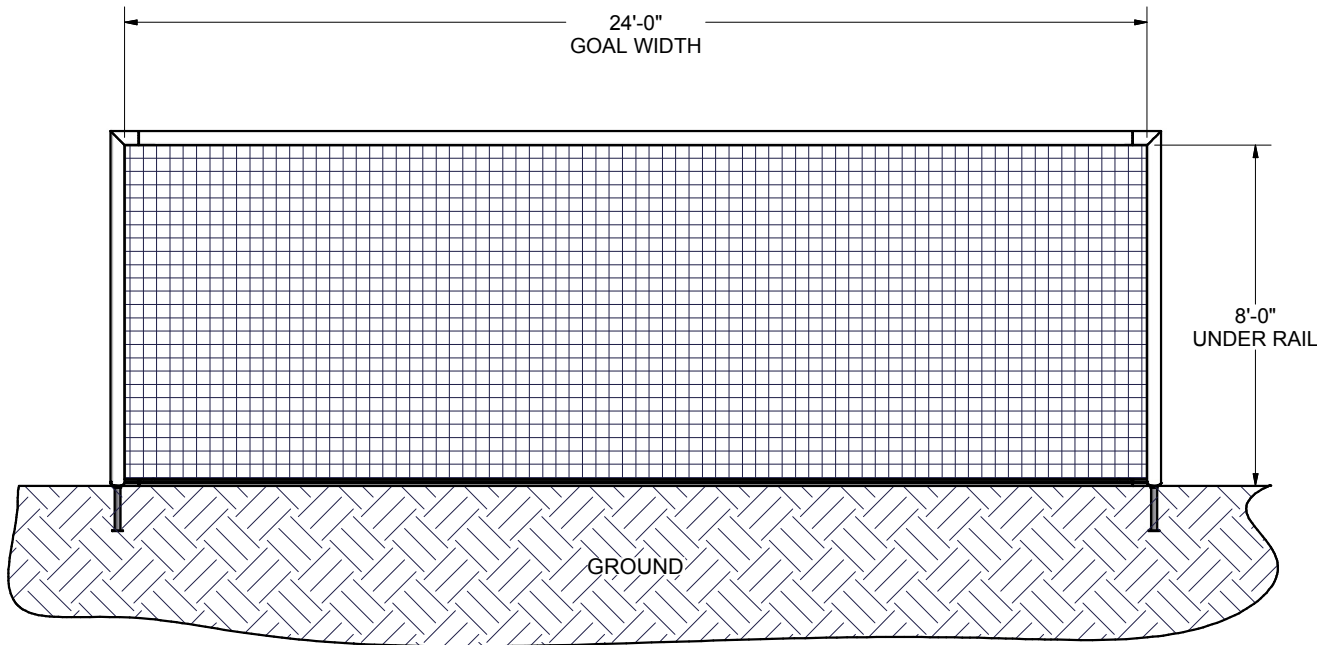
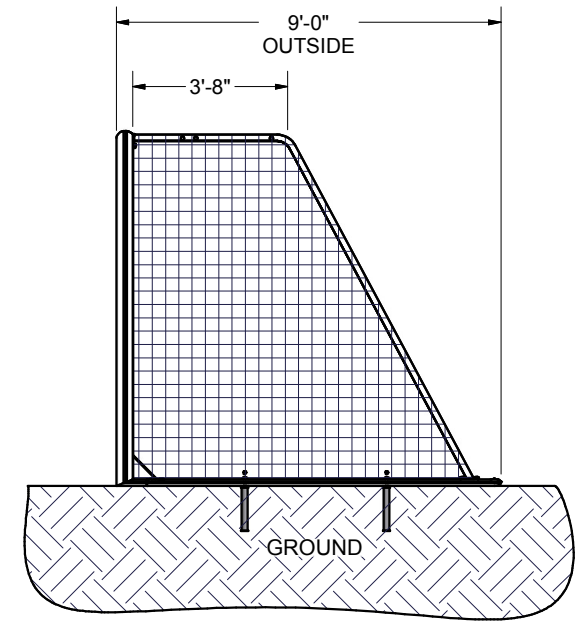


FRONT VIEW



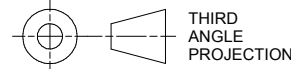
SIDE VIEW



FEATURES:

- 1) ALUMINUM GOAL FRAME AND BACKDROPS
- 2) FINISH: WHITE POWDER COAT
- 3) INCLUDED:
 - SEMI PERMANENT GROUND ANCHORS
 - 3 mm, 2" MESH, WHITE NET
 - TAMPER RESISTANT NET CLIPS
 - TAMPER RESISTANT STAINLESS STEEL HARDWARE
- 4) ASSEMBLED GOAL WEIGHT: 208 LBS.
- 5) EXCEEDS:
 - NCAA SPECIFICATIONS
 - NFSHA SPECIFICATIONS
 - ASTM F2056-00 STANDARDS
 - CANADIAN STANDARDS - MONTREAL

Finish Info.



THIRD
ANGLE
PROJECTION

DIMENSIONS ARE IN INCHES
UNLESS OTHERWISE SPECIFIED

This item is the **exclusive** property of **KWIK GOAL LTD.** Reproduction or duplication **without** the express written consent of **KWIK GOAL LTD.** is **strictly forbidden.**

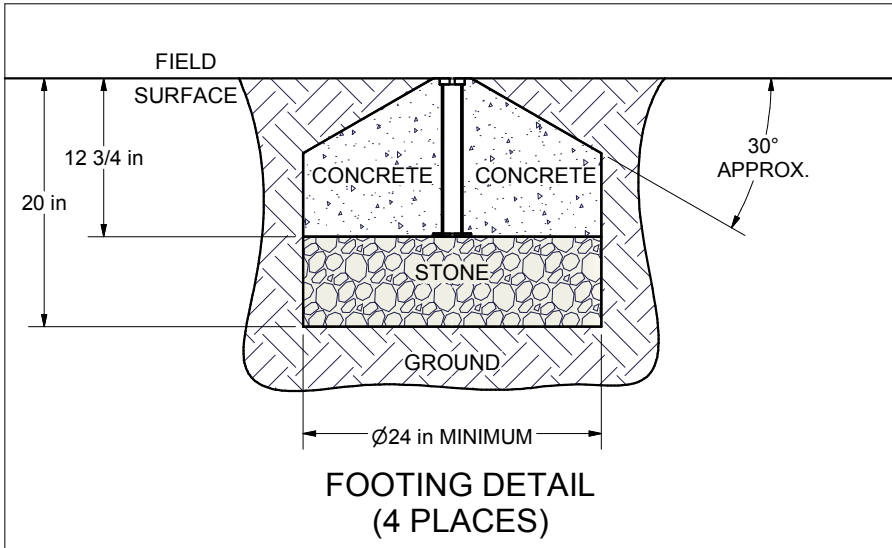
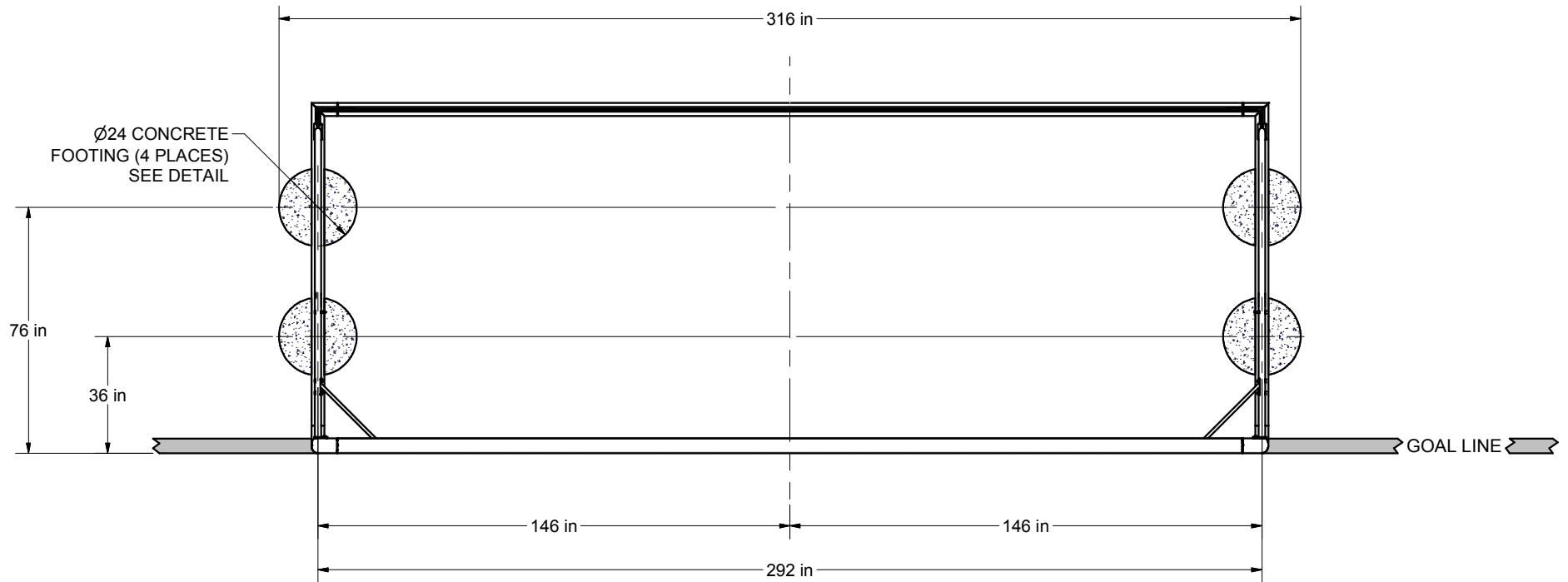


140 Pacific Drive
Quakertown,
Pa. 18951

Approved By:
Date:
Drawn By: BRush
Date: 6/20/2003
Sheet: 1 of 4
Revision #: 3
Cad File: 25B06.idw

Part #:
25B06
Desc:
8'H x 24'W x 9'B EVOLUTION
GOAL

OVERHEAD VIEW



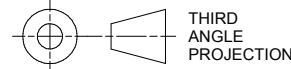
FOOTING DETAIL
(4 PLACES)

NOTES:

- 1) DIMENSIONS ARE FOR PLANNING PURPOSES. INSTALLATION MUST BE IN ACCORDANCE WITH INSTALLATION INSTRUCTIONS.

MATERIAL REQUIRED, BUT **NOT** SUPPLIED

- 0.5 cubic yard - CONCRETE
 - 0.3 cubic yard - CLEAN STONE (1/4" - 3/4")
- ABOVE AMOUNTS ARE PER GOAL INSTALLATION



THIRD
ANGLE
PROJECTION



DIMENSIONS ARE IN INCHES
UNLESS OTHERWISE SPECIFIED

Approved By:

Part #:

Date:

25B06

This item is the **exclusive** property of **KWIK GOAL LTD.** Reproduction or duplication **without** the express written consent of **KWIK GOAL LTD.** is **strictly forbidden.**

Drawn By: BRush

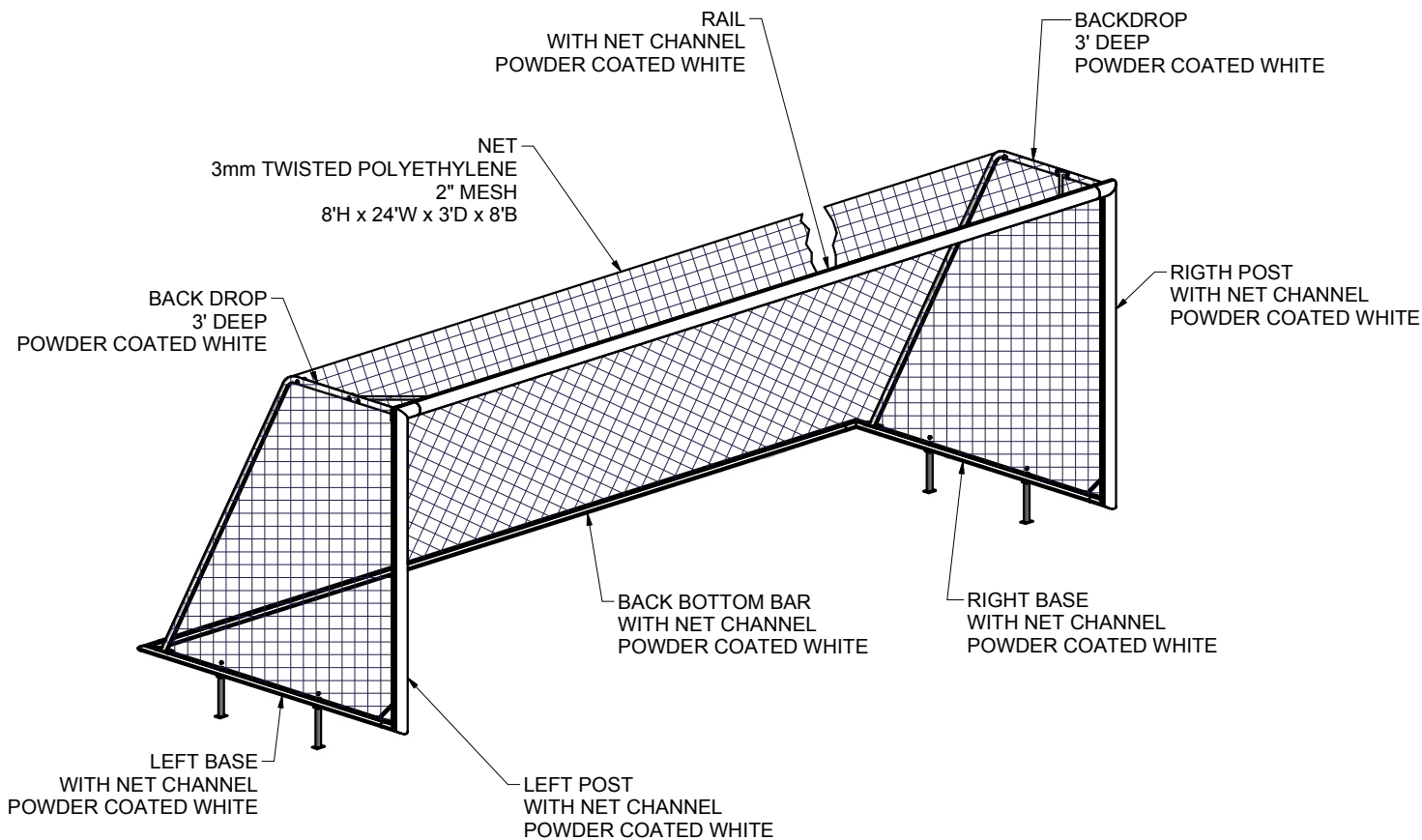
Date: 6/20/2003

Sheet: 2 of 4

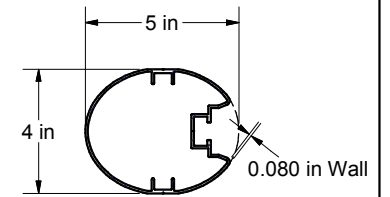
Revision #: 3

Cad File: 25B06.idw

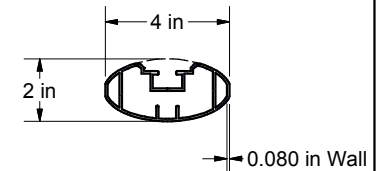
Desc:
8'H x 24'W x 9'B EVOLUTION
GOAL



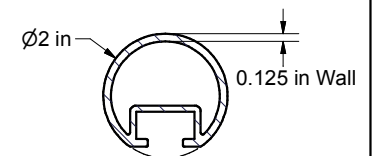
MATERIAL DETAILS



RAIL & POST MATERIAL - ALUMINUM

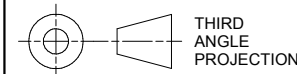


BACK BOTTOM BAR & BASE MATERIAL - ALUMINUM



BACK DROP MATERIAL - ALUMINUM

Finish Info.



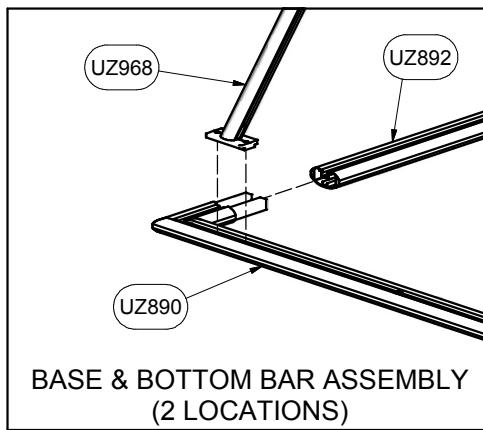
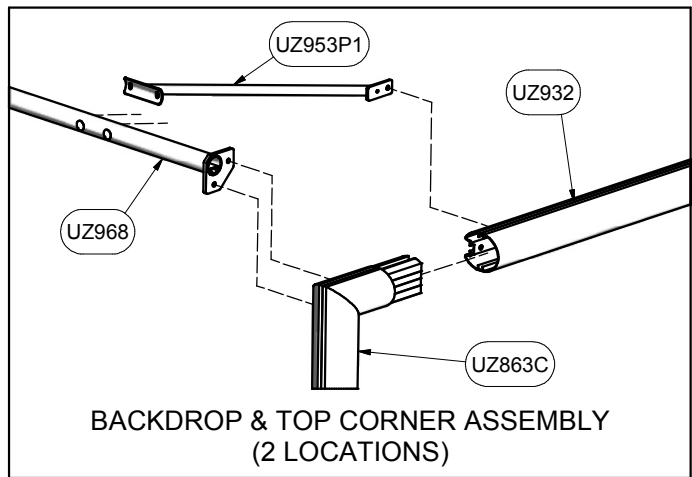
DIMENSIONS ARE IN INCHES UNLESS OTHERWISE SPECIFIED

This item is the **exclusive** property of **KWIK GOAL LTD.** Reproduction or duplication **without** the express written consent of **KWIK GOAL LTD.** is **strictly forbidden.**

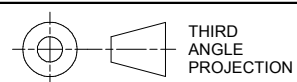
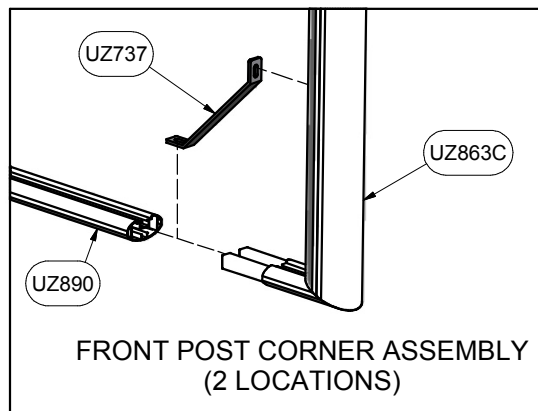
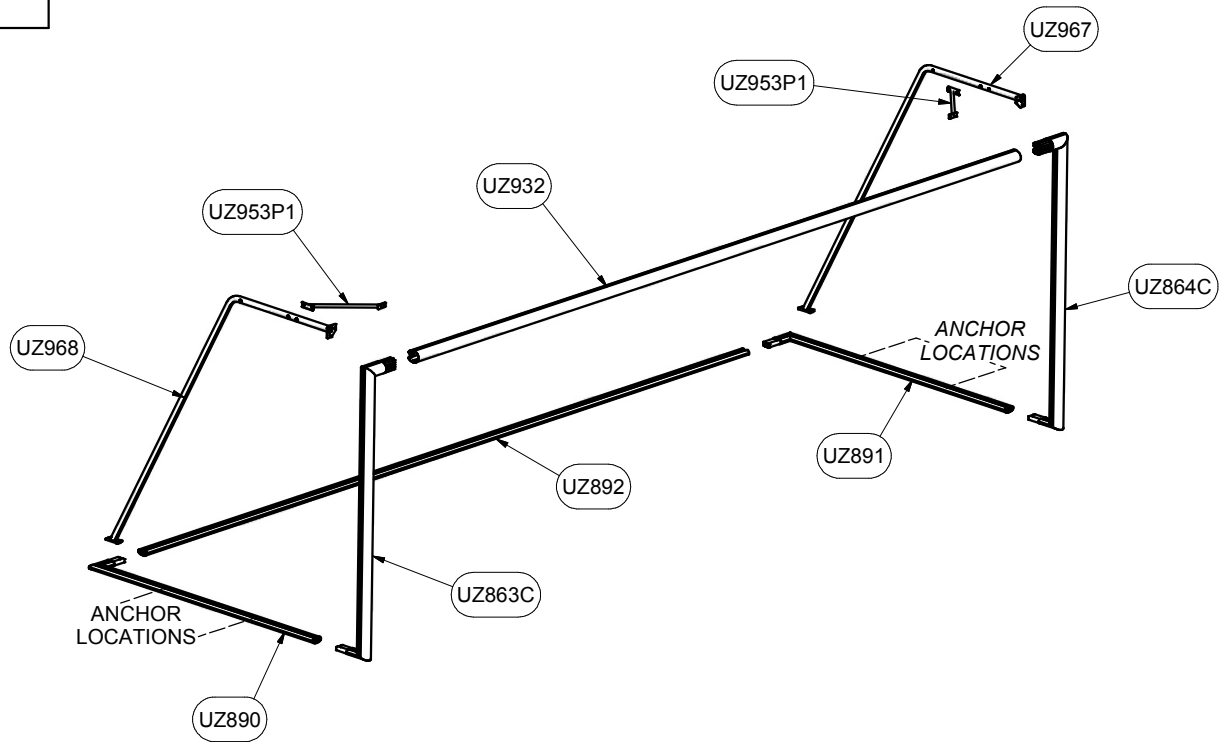
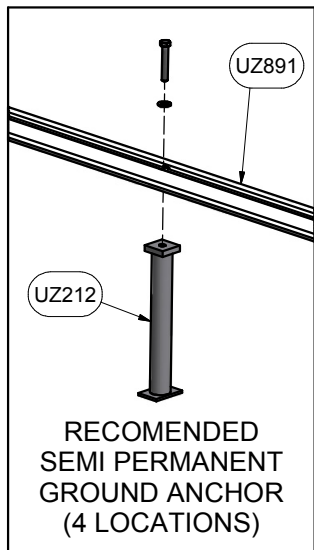


Approved By:
Date:
Drawn By: BRush
Date: 6/20/2003
Sheet: 3 of 4
Revision #: 3
Cad File: 25B06.idw

Part #: **25B06**
Desc: 8'H x 24'W x 9'B EVOLUTION GOAL



Parts List		
Part #	Qty	Description
UZ892	1	BACK BOTTOM BAR, 2B3306
UZ863C	1	LEFT POST, 2B3306
UZ864C	1	RIGHT POST, 2B3306
UZ891	1	RIGHT BASE, 2B3306
UZ890	1	LEFT BASE, 2B3306
UZ953P1	2	BACKDROP BRACE
UZ212	4	GROUND ANCHOR ASSEMBLY
UZ932	1	RAIL, 2B3306
UZ967	1	BACKDROP, EVOLUTION, RIGHT SIDE
UZ968	1	BACKDROP, EVOLUTION, LEFT SIDE
VZ137	7	Kwik Lock Secure Clip
UZ737	2	Front Post Brace
3B1621	1	NET, 3MM ROPE, 2" MESH



DIMENSIONS ARE IN INCHES
UNLESS OTHERWISE SPECIFIED

This item is the **exclusive**
property of **KWIK GOAL LTD.**
Reproduction or duplication
without the express written
consent of **KWIK GOAL LTD.**
is **strictly forbidden.**



Approved By:

Date:

Drawn By: BRush

Date: 6/20/2003

Sheet: 4 of 4

Revision #: 3

Cad File: 25B06.idw

Part #:

25B06

Desc:
8'H x 24'W x 9'B EVOLUTION
GOAL

Finish Info.