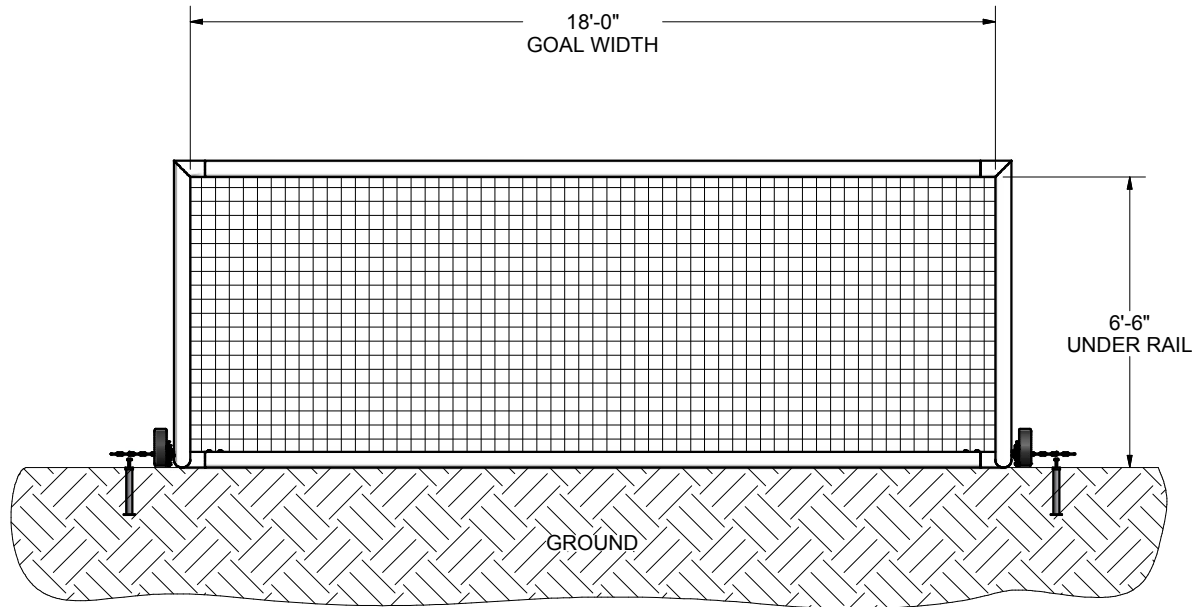
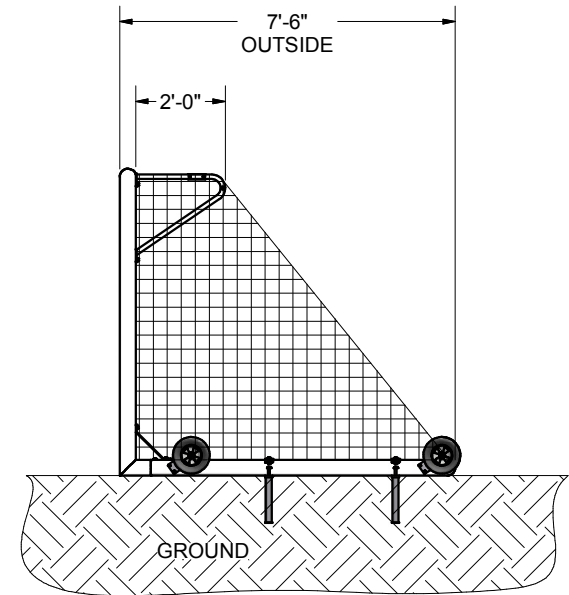


FRONT VIEW



SIDE VIEW



FEATURES:

1) ALUMINUM GOAL FRAME AND BACKDROPS

2) FINISH: WHITE POWDER COAT

3) INCLUDED:

SEMI PERMANENT GROUND ANCHORS

3 mm, 2" MESH, WHITE NET

TAMPER RESISTANT NET CLIPS

TAMPER RESISTANT STAINLESS STEEL HARDWARE

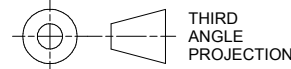
4 RELIANCE TURF PRO NO-FLAT TIRES

4) ASSEMBLED GOAL WEIGHT: 210 LBS.

5) EXCEEDS ASTM F2056-00 STANDARDS

APPROVED BY CITY OF MONTREAL

Finish Info.



DIMENSIONS ARE IN INCHES
UNLESS OTHERWISE SPECIFIED

This item is the **exclusive**
property of **KWIK GOAL LTD.**
Reproduction or duplication
without the express written
consent of **KWIK GOAL LTD.**
is **strictly forbidden.**



Approved By:

Date:

Drawn By: cspeck

Date: 3/5/2003

Sheet: 1 of 4

Revision #: 3

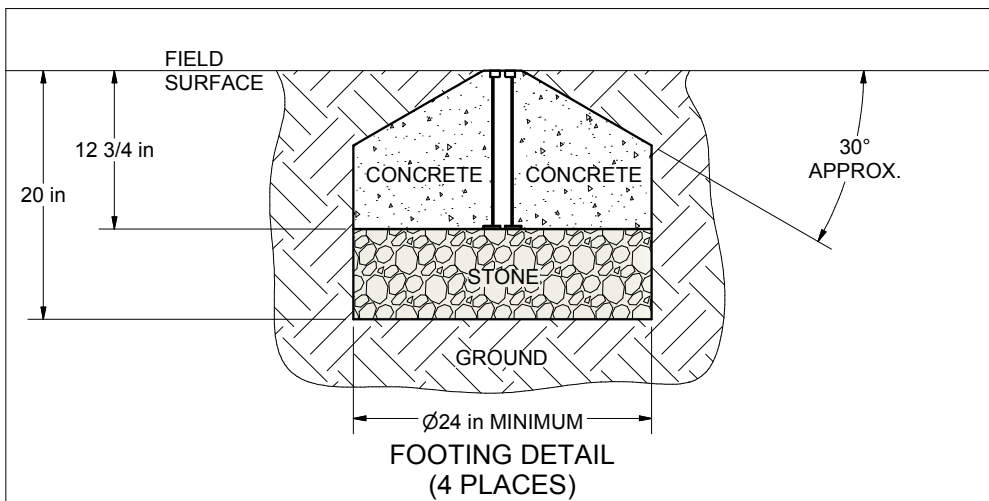
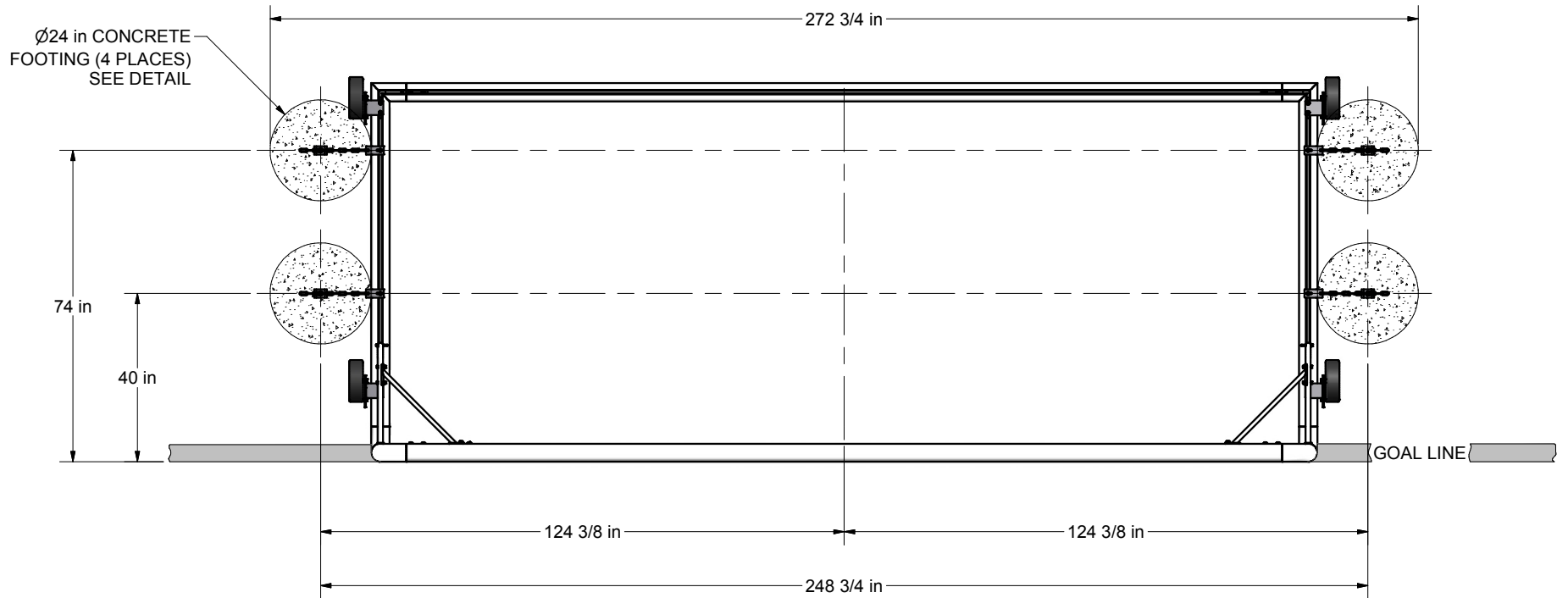
Cad File: 25B16.idw

Part #:

25B16

Desc:
6-1/2' X 18' PRO PREMIER
EUROPEAN MATCH GOAL

OVERHEAD VIEW



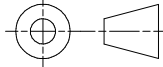

NOTES:

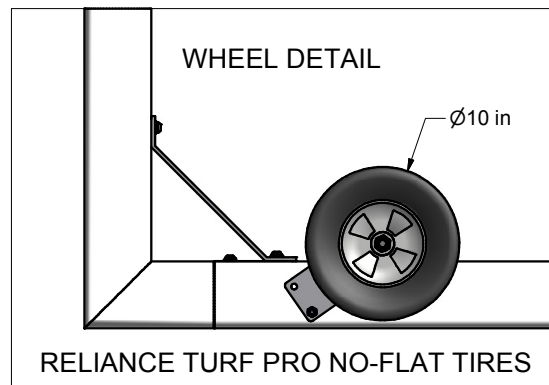
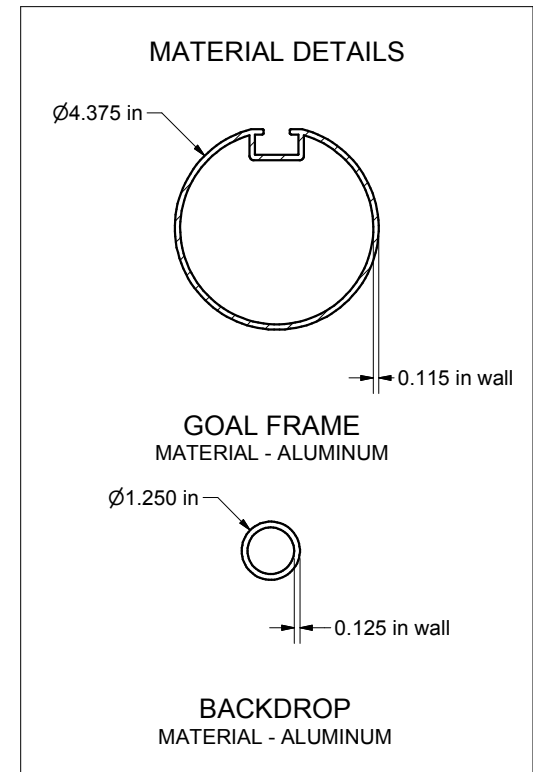
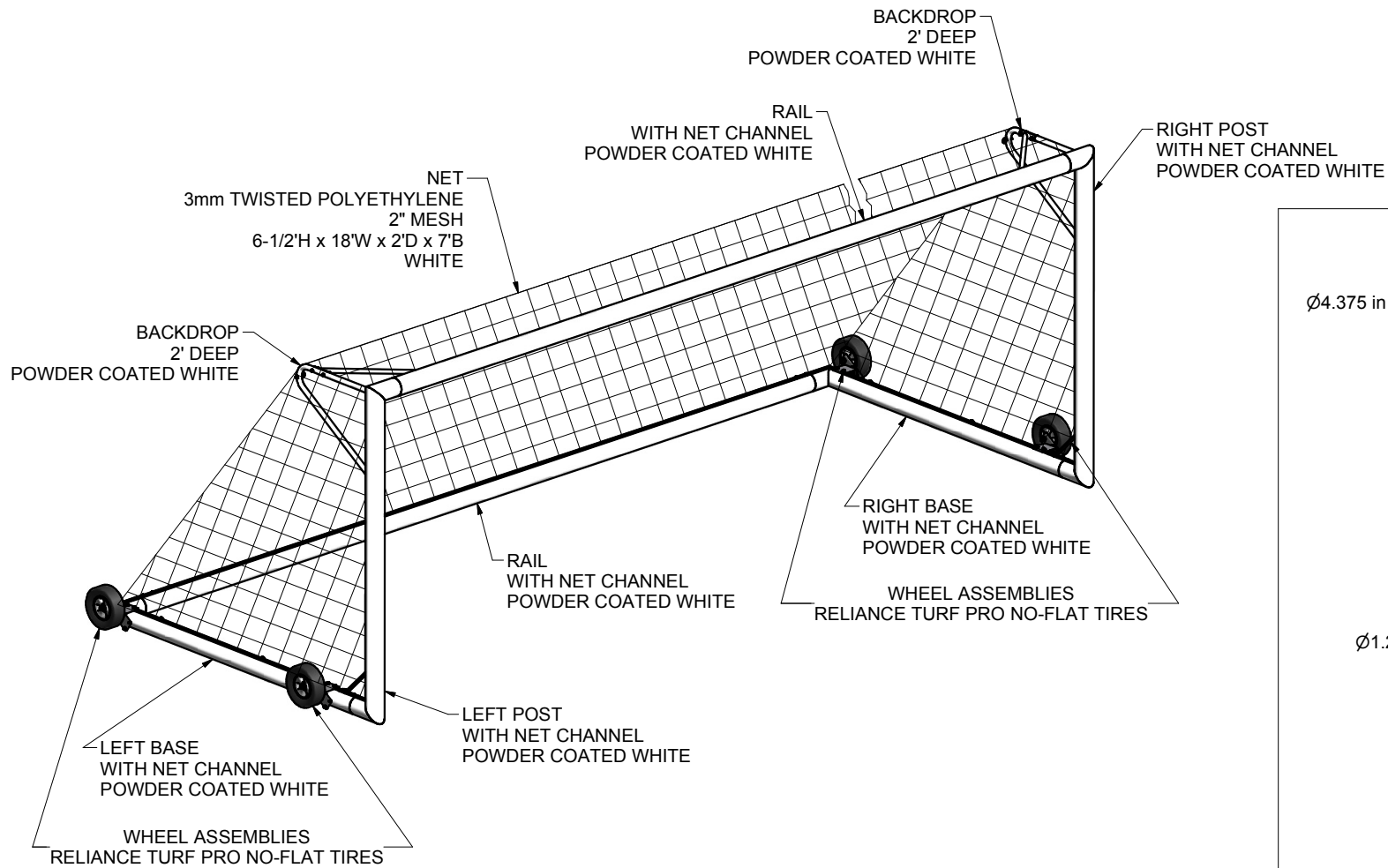
1) DIMENSIONS ARE FOR PLANNING PURPOSES. INSTALLATION MUST BE IN ACCORDANCE WITH INSTALLATION INSTRUCTIONS.

MATERIAL REQUIRED, BUT **NOT** SUPPLIED

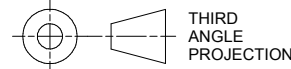
0.5 cubic yard - CONCRETE
 0.3 cubic yard - CLEAN STONE (1/4" - 3/4")
 ABOVE AMOUNTS ARE PER GOAL INSTALLATION

Finish Info.

 THIRD ANGLE PROJECTION	 140 Pacific Drive Quakertown, Pa. 18951	
	DIMENSIONS ARE IN INCHES UNLESS OTHERWISE SPECIFIED	Approved By:
This item is the exclusive property of KWIK GOAL LTD. Reproduction or duplication without the express written consent of KWIK GOAL LTD. is strictly forbidden.	Date:	25B16
	Drawn By: cspeck	
	Date: 3/5/2003	Desc:
	Sheet: 2 of 4 Revision #: 3 Cad File: 25B16.idw	6-1/2' X 18' PRO PREMIER EUROPEAN MATCH GOAL



Finish Info.



DIMENSIONS ARE IN INCHES UNLESS OTHERWISE SPECIFIED

This item is the **exclusive** property of **KWIK GOAL LTD.** Reproduction or duplication **without** the express written consent of **KWIK GOAL LTD.** is **strictly forbidden.**



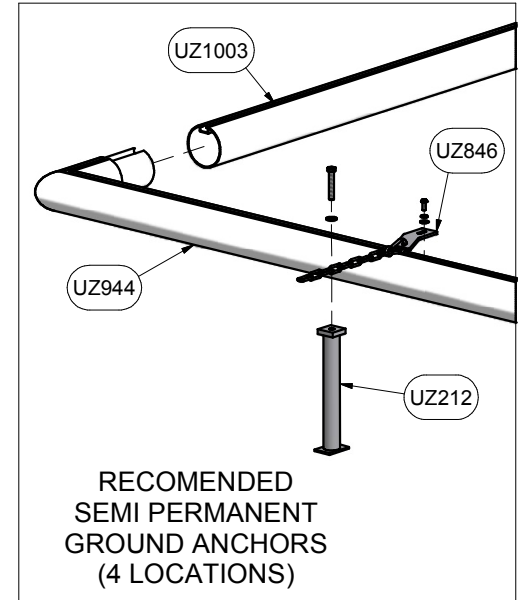
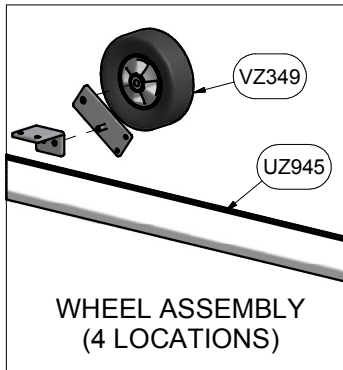
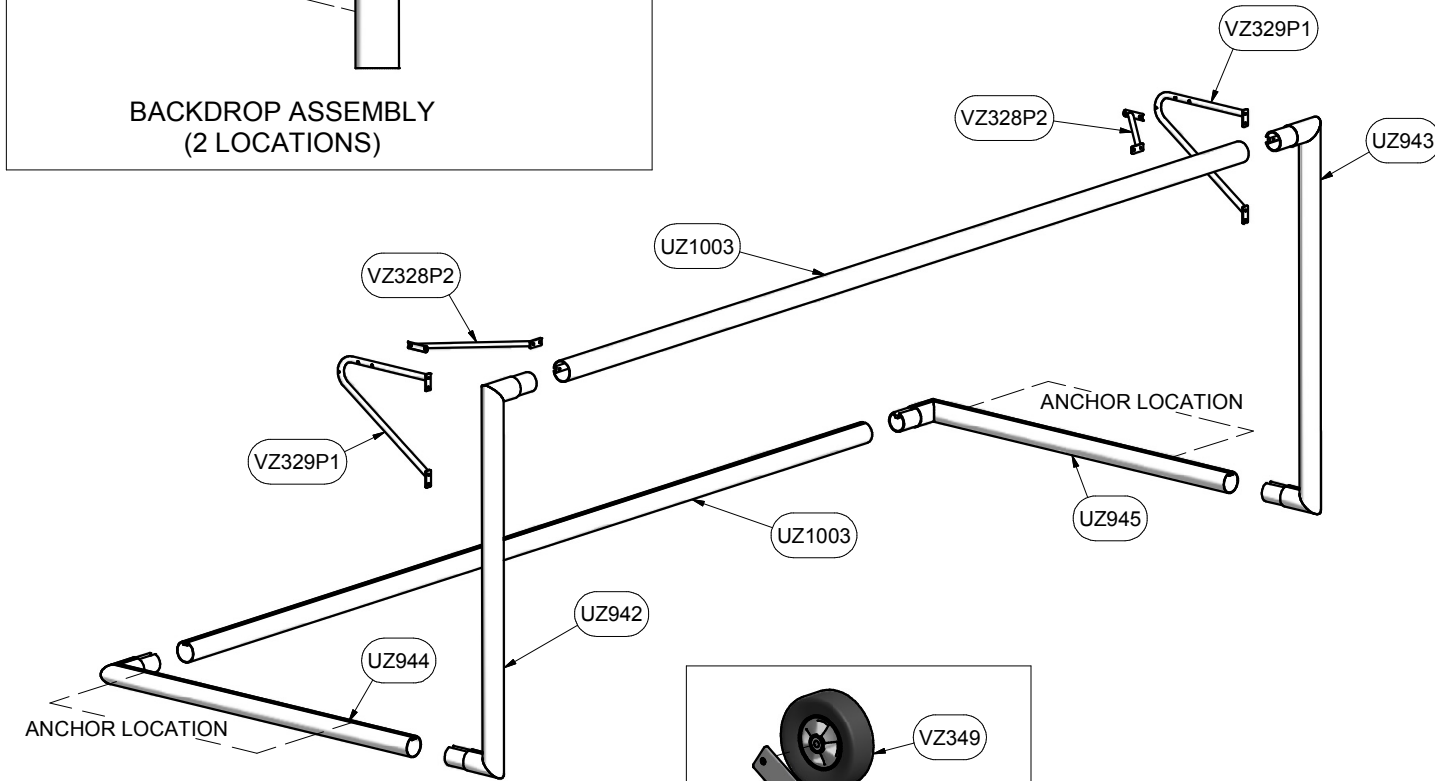
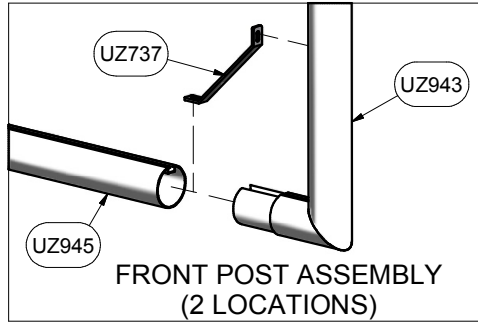
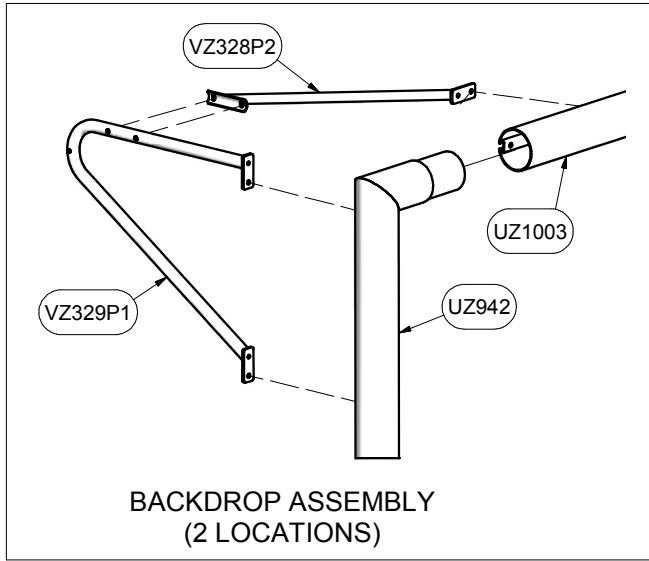
Approved By:
Date:

Drawn By: cspeck
Date: 3/5/2003
Sheet: 3 of 4
Revision #: 3

Cad File: 25B16.idw

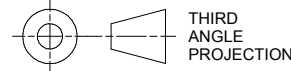
Part #:
25B16

Desc:
6-1/2' X 18' PRO PREMIER EUROPEAN MATCH GOAL



Parts List		
Part #	Qty	Description
UZ737	2	Front Post Brace
UZ1003	2	Rail, 25B16
UZ942	1	Left Front Post
UZ943	1	Right Front Post
UZ944	1	LEFT BASE
UZ945	1	RIGHT BASE
VZ328P2	2	BACKSTAY BRACE
VZ329P1	2	BACKSTAY
VZ349	4	FLAT PROOF TIRE
UZ846	4	CHAIN ASSEMBLY, GRND ANCHOR
UZ212	4	GROUND ANCHOR ASSEMBLY
25B16A	1	NET, 3MM ROPE, 2" MESH

Finish Info.



DIMENSIONS ARE IN INCHES
UNLESS OTHERWISE SPECIFIED

This item is the **exclusive**
property of **KWIK GOAL LTD.**
Reproduction or duplication
without the express written
consent of **KWIK GOAL LTD.**
is **strictly forbidden.**



Approved By:

Date:

Drawn By: cspeck

Date: 3/5/2003

Sheet: 4 of 4

Revision #: 3

Cad File: 25B16.idw

Part #:

25B16

Desc:

6-1/2' X 18' PRO PREMIER
EUROPEAN MATCH GOAL