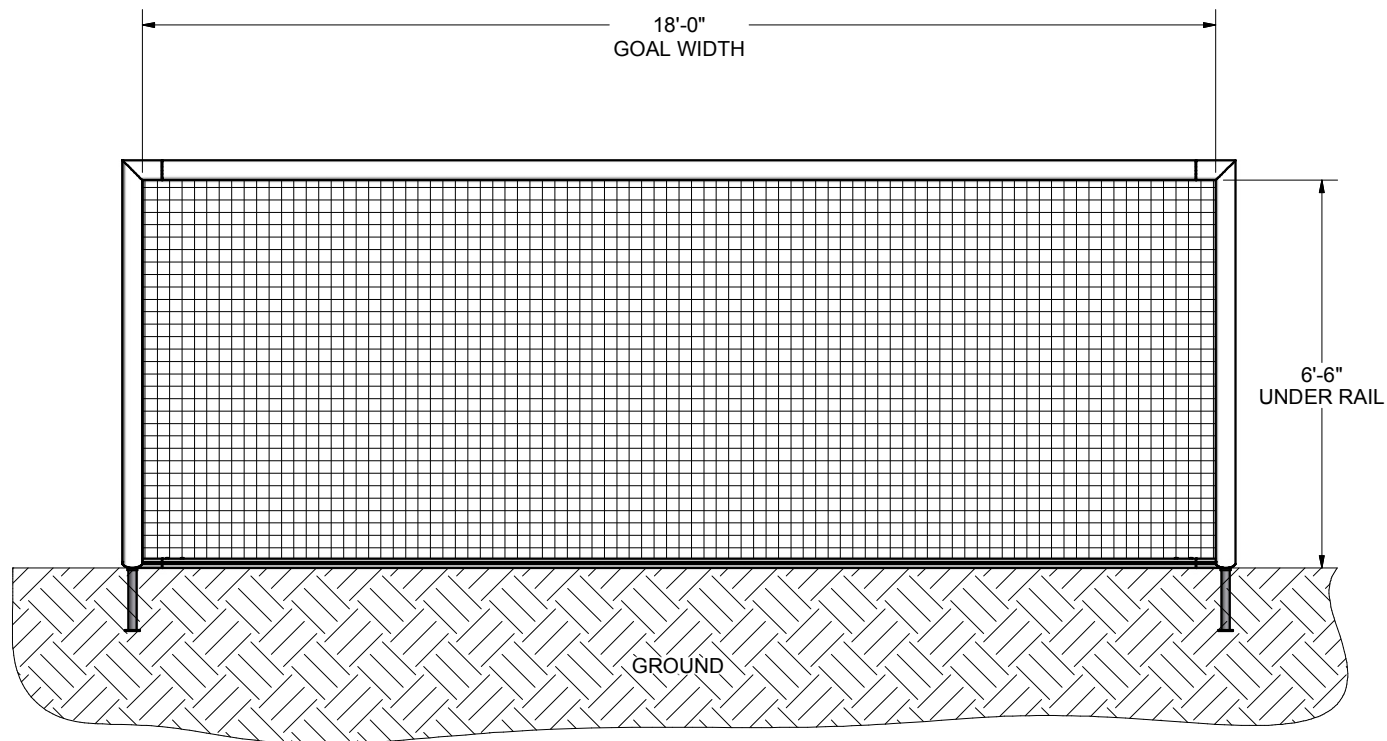
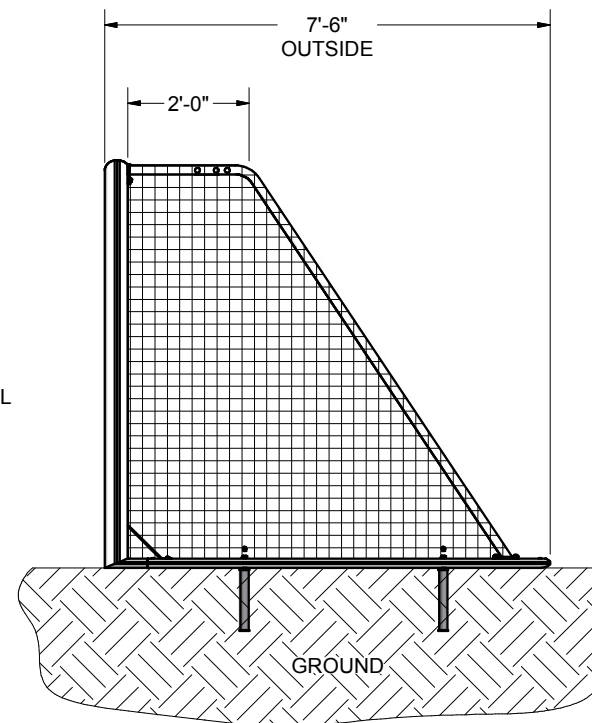


FRONT VIEW



SIDE VIEW



FEATURES:

1) ALUMINUM GOAL FRAME AND BACKDROPS

2) FINISH: WHITE POWDER COAT

3) INCLUDED:

SEMI PERMANENT GROUND ANCHORS

3 mm, 2" MESH, WHITE NET

TAMPER RESISTANT NET CLIPS

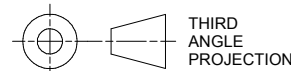
TAMPER RESISTANT STAINLESS STEEL HARDWARE

4) ASSEMBLED GOAL WEIGHT: 165 LBS.

5) EXCEEDS ASTM F2056-00 STANDARDS

APPROVED BY CITY OF MONTREAL

**Finish Info.**



THIRD  
ANGLE  
PROJECTION

DIMENSIONS ARE IN INCHES  
UNLESS OTHERWISE SPECIFIED

This item is the **exclusive**  
property of **KWIK GOAL LTD.**  
Reproduction or duplication  
**without** the express written  
consent of **KWIK GOAL LTD.**  
is **strictly forbidden.**



140 Pacific Drive  
Quakertown,  
Pa. 18951

Approved By:

Date:

Drawn By: BRush

Date: 3/22/2008

Sheet: 1 of 4

Revision #: 3

Cad File: 25B302.idw

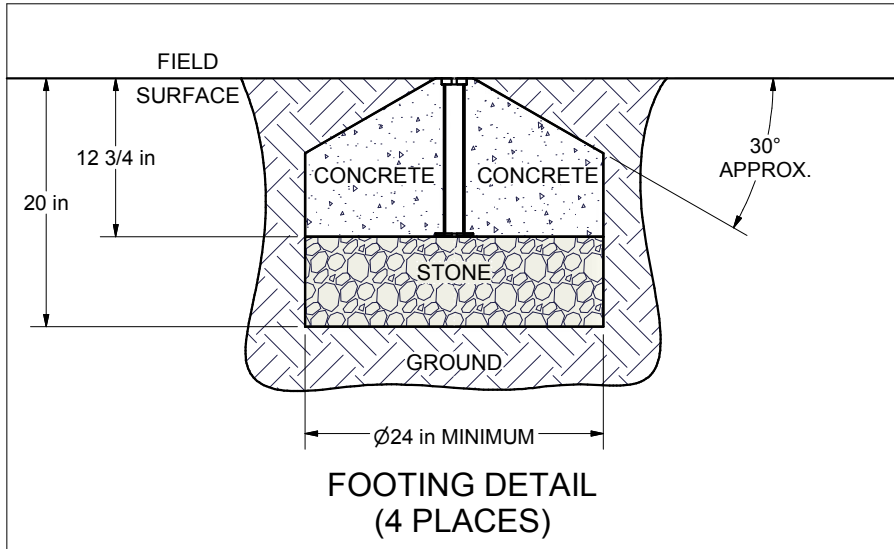
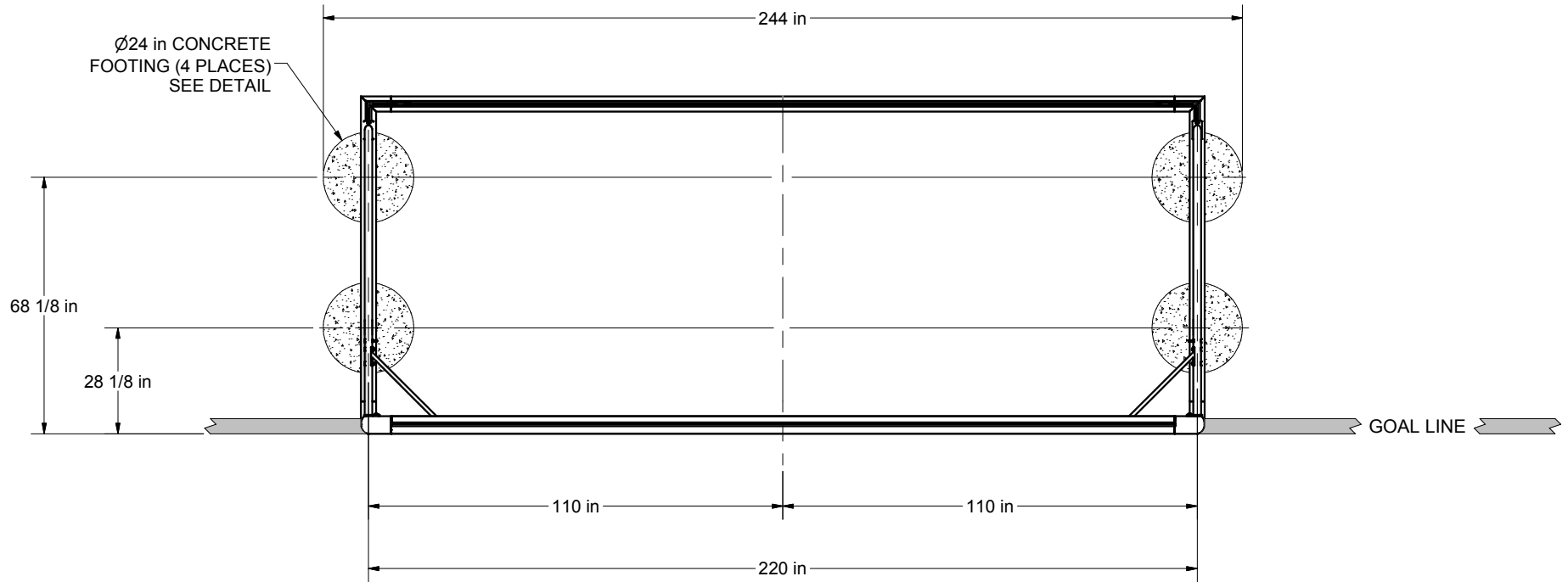
Part #:

**25B302**

Desc:

6-1/2'H x 18'W JUNIOR  
EVOLUTION GOAL

OVERHEAD VIEW



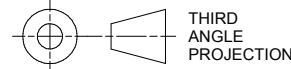
NOTES:

- 1) DIMENSIONS ARE FOR PLANNING PURPOSES. INSTALLATION MUST BE IN ACCORDANCE WITH INSTALLATION INSTRUCTIONS.

MATERIAL REQUIRED, BUT **NOT** SUPPLIED

- 0.5 cubic yard - CONCRETE
- 0.3 cubic yard - CLEAN STONE (1/4" - 3/4")
- ABOVE AMOUNTS ARE PER GOAL INSTALLATION

Finish Info.



THIRD ANGLE PROJECTION



DIMENSIONS ARE IN INCHES UNLESS OTHERWISE SPECIFIED

Approved By:

Part #:

Date:

25B302

This item is the **exclusive** property of **KWIK GOAL LTD.** Reproduction or duplication **without** the express written consent of **KWIK GOAL LTD.** is **strictly forbidden.**

Drawn By: BRush

Date: 3/22/2008

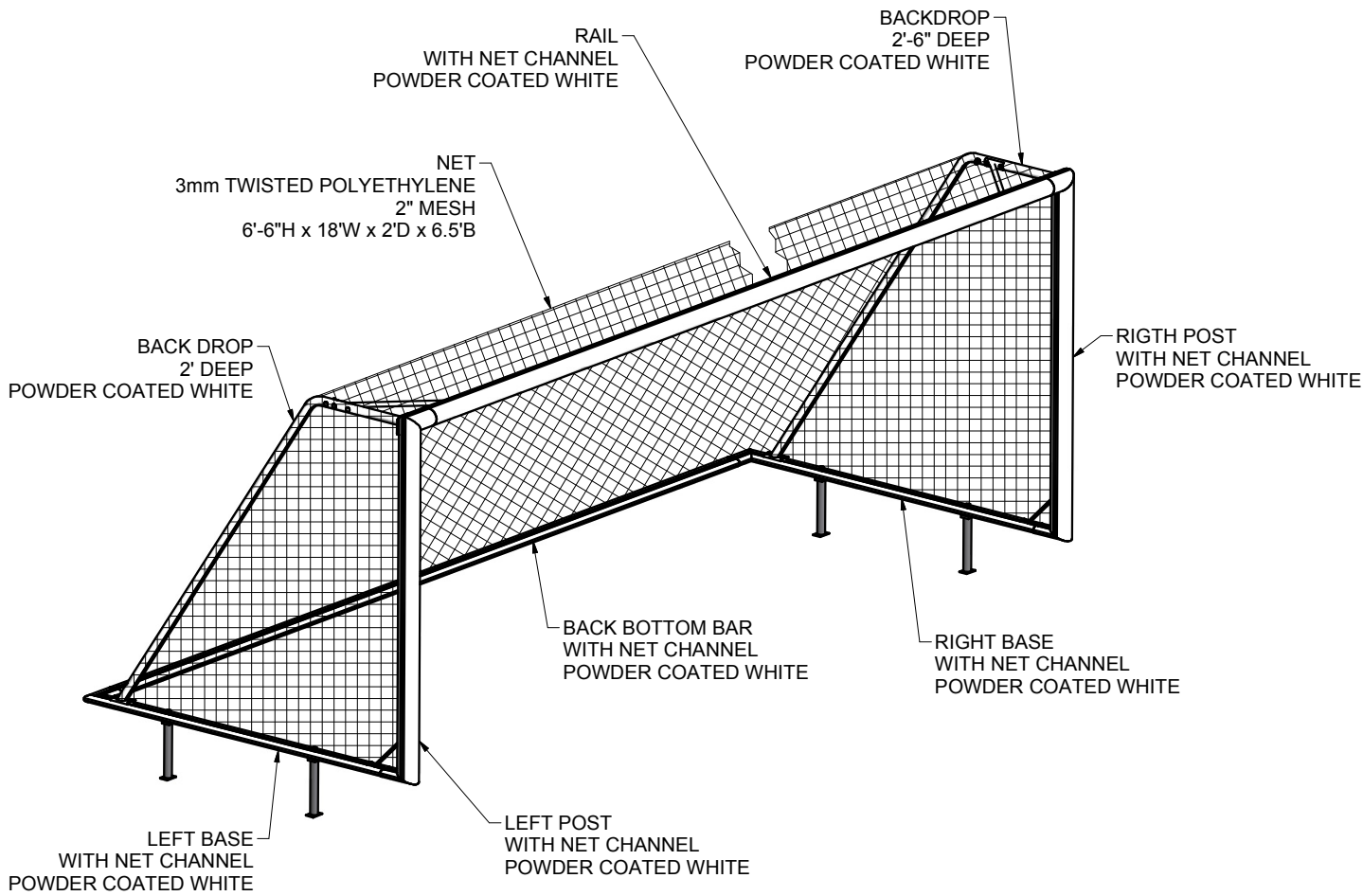
Desc:

Sheet: 2 of 4

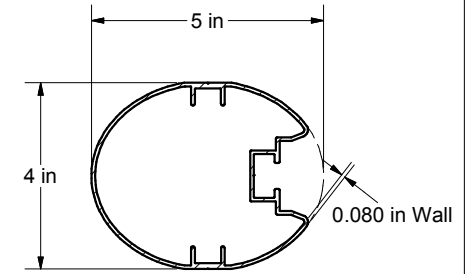
Revision #: 3

6-1/2'H x 18'W JUNIOR EVOLUTION GOAL

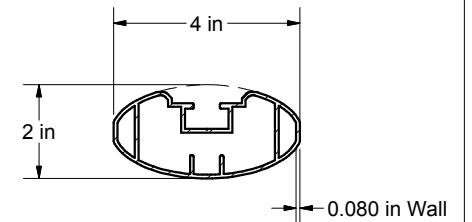
Cad File: 25B302.idw



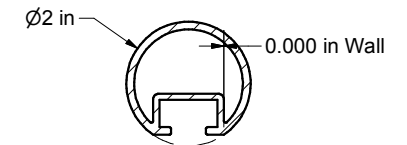
**MATERIAL DETAILS**



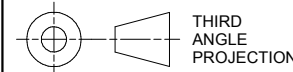
**RAIL & POST MATERIAL - ALUMINUM**



**BACK BOTTOM BAR & BASE MATERIAL - ALUMINUM**



**BACK DROP MATERIAL - ALUMINUM**



DIMENSIONS ARE IN INCHES UNLESS OTHERWISE SPECIFIED

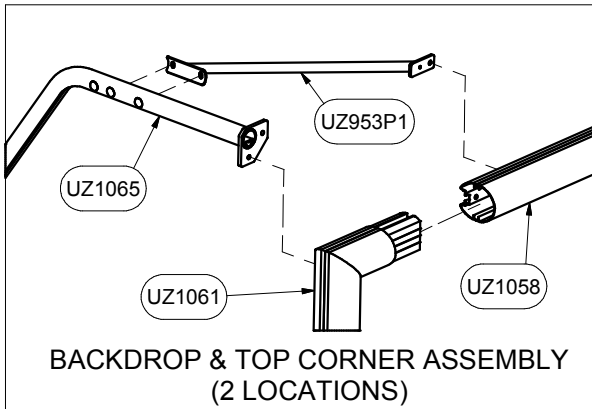
This item is the **exclusive** property of **KWIK GOAL LTD.** Reproduction or duplication **without** the express written consent of **KWIK GOAL LTD.** is **strictly forbidden.**



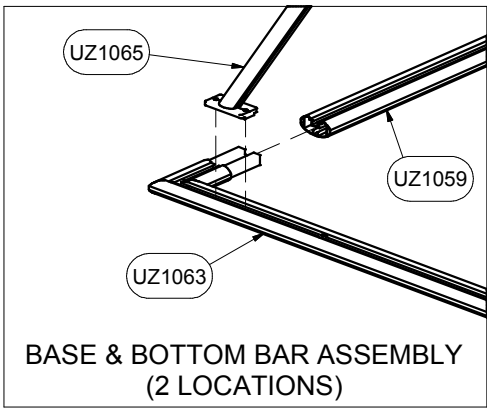
Approved By:  
Date:  
Drawn By: BRush  
Date: 3/22/2008  
Sheet: 3 of 4  
Revision #: 3  
Cad File: 25B302.idw

Part #: **25B302**  
Desc: 6-1/2'H x 18'W JUNIOR EVOLUTION GOAL

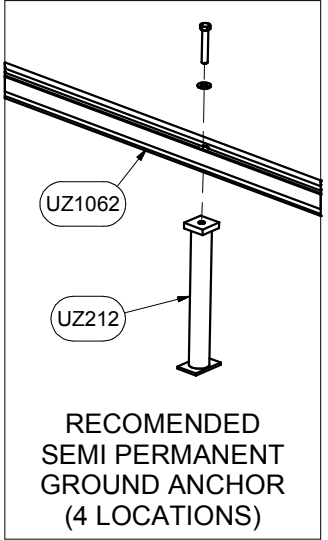
**Finish Info.**



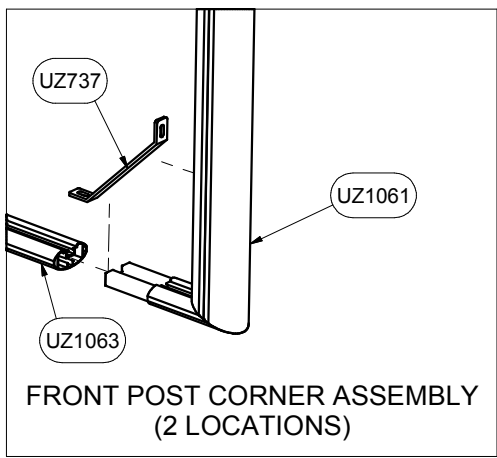
BACKDROP & TOP CORNER ASSEMBLY  
(2 LOCATIONS)



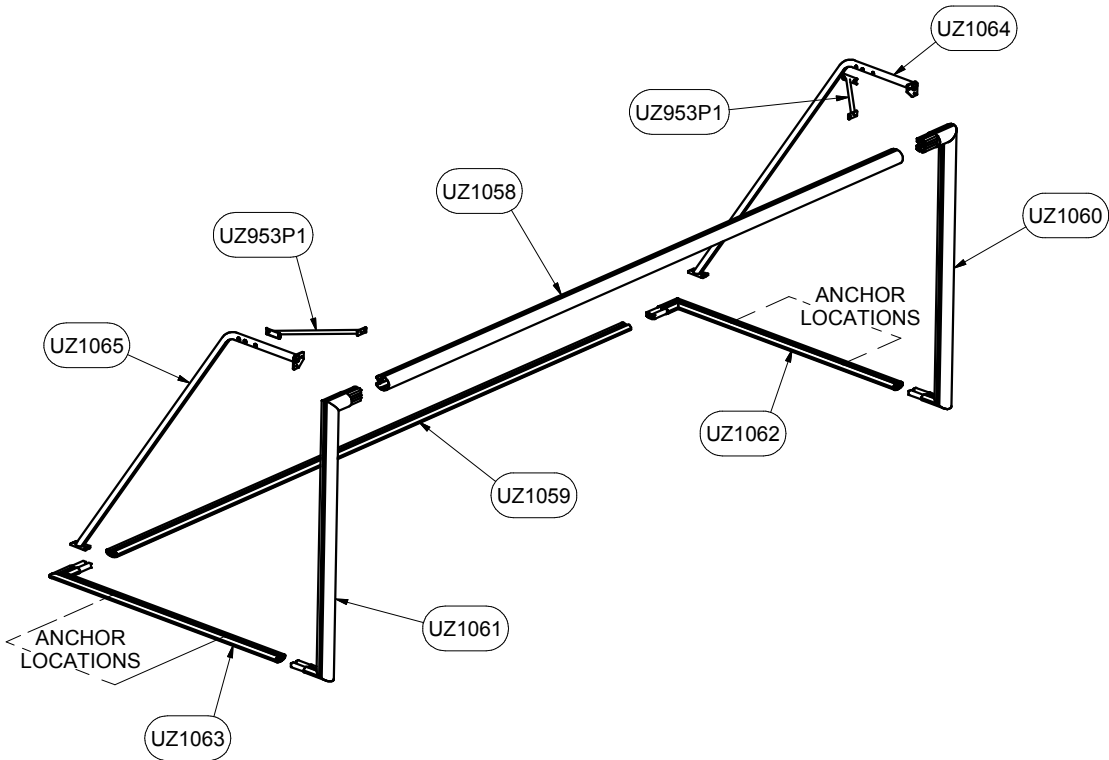
BASE & BOTTOM BAR ASSEMBLY  
(2 LOCATIONS)



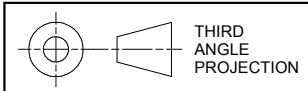
RECOMENDED  
SEMI PERMANENT  
GROUND ANCHOR  
(4 LOCATIONS)



FRONT POST CORNER ASSEMBLY  
(2 LOCATIONS)



Parts List		
Part #	Qty	Description
UZ1059	1	BACK BAR, JUNIOR EVOLUTION
UZ1061	1	LEFT POST, JUNIOR EVOLUTION
UZ1060	1	RIGHT POST, JUNIOR EVOLUTION
UZ1062	1	RIGHT BASE, JUNIOR EVOLUTION
UZ1063	1	LEFT BASE, JUNIOR EVOLUTION
UZ1064	1	BACKDROP, JUNIOR EVOLUTION, RIGHT
UZ1065	1	BACKDROP, JUNIOR EVOLUTION, LEFT
UZ212	4	GROUND ANCHOR ASSEMBLY
UZ1058	1	RAIL, JUNIOR EVOLUTION
UZ953P1	2	BACKDROP BRACE
UZ737	2	Front Post Brace
25B16A	1	NET, 3MM ROPE, 2" MESH



DIMENSIONS ARE IN INCHES  
UNLESS OTHERWISE SPECIFIED

This item is the **exclusive**  
property of **KWIK GOAL LTD.**  
Reproduction or duplication  
**without** the express written  
consent of **KWIK GOAL LTD.**  
is **strictly forbidden.**



Approved By:

Date:

Drawn By: BRush

Date: 3/22/2008

Sheet: 4 of 4

Revision #: 3

Cad File: 25B302.idw

Part #:  
**25B302**

Desc:  
6-1/2'H x 18'W JUNIOR  
EVOLUTION GOAL

Finish Info.