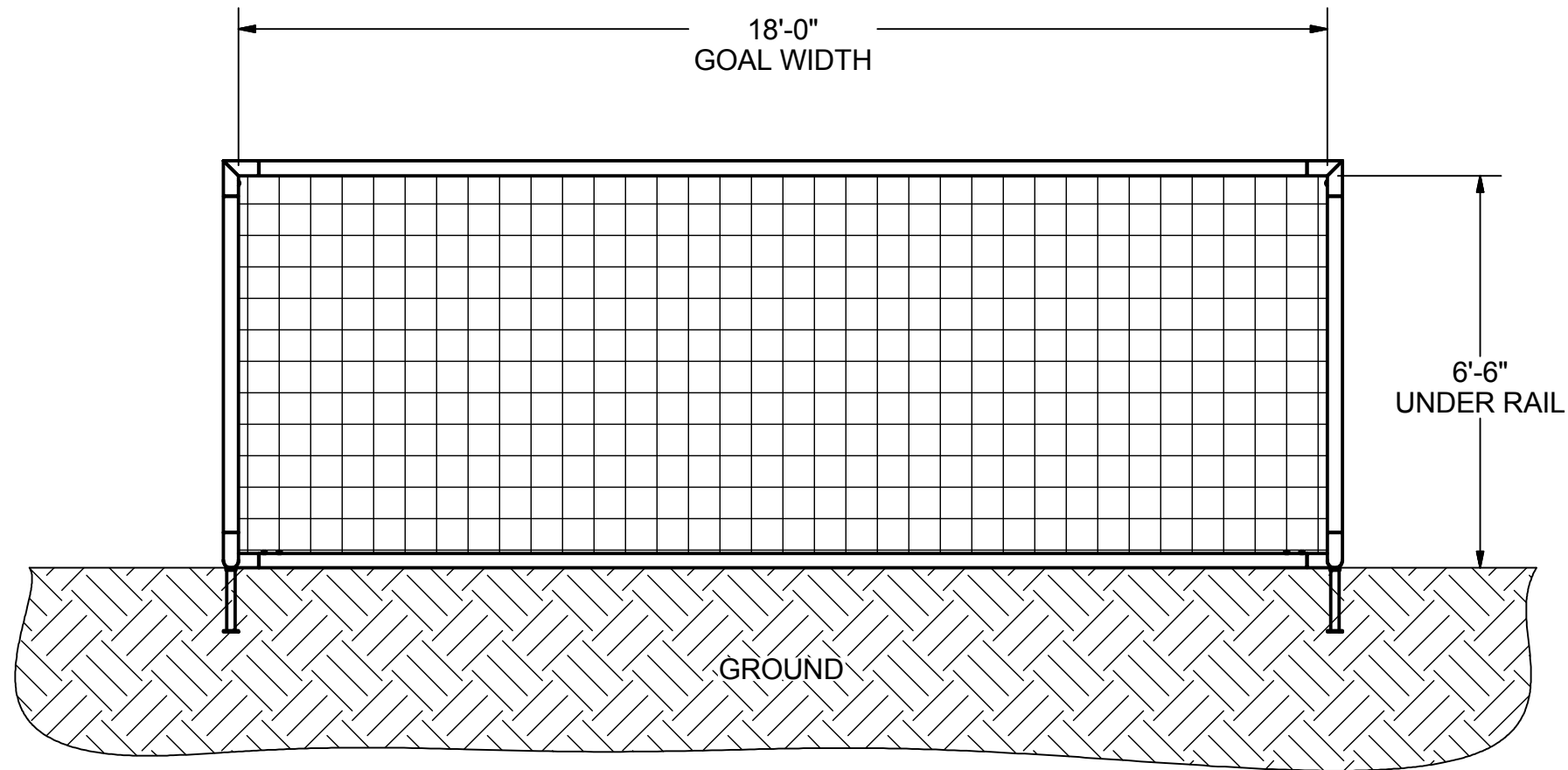
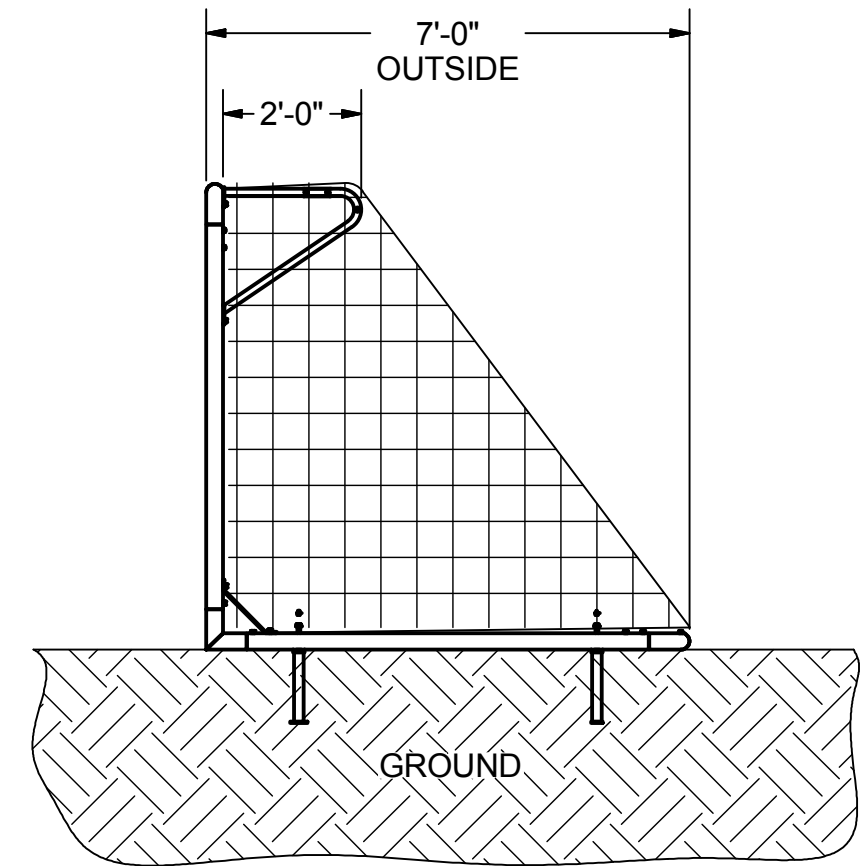


FRONT VIEW



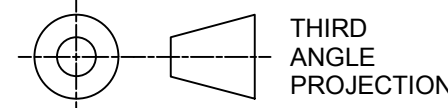
SIDE VIEW



FEATURES:

- 1) ALUMINUM GOAL FRAME AND BACKDROPS
- 2) FINISH: WHITE POWDER COAT
- 3) INCLUDED:
 - SEMI PERMANENT GROUND ANCHORS
 - 3 mm, WHITE NET
 - KWIK LOCK® NET CLIPS
- 4) ASSEMBLED GOAL WEIGHT: 111 LBS.
- 5) EXCEEDS:
 - ASTM F2056-00 STANDARDS

Finish Info.



THIRD ANGLE PROJECTION

KWIKGOAL® 140 Pacific Drive
Quakertown, Pa. 18951

DIMENSIONS ARE IN INCHES UNLESS OTHERWISE SPECIFIED

This item is the **exclusive** property of **KWIK GOAL LTD.** Reproduction or duplication **without** the express written consent of **KWIK GOAL LTD.** is **strictly forbidden.**

Approved By:

Date:

Drawn By: brush

Date: 2/22/2010

Sheet: 1 of 4

Revision #: 2

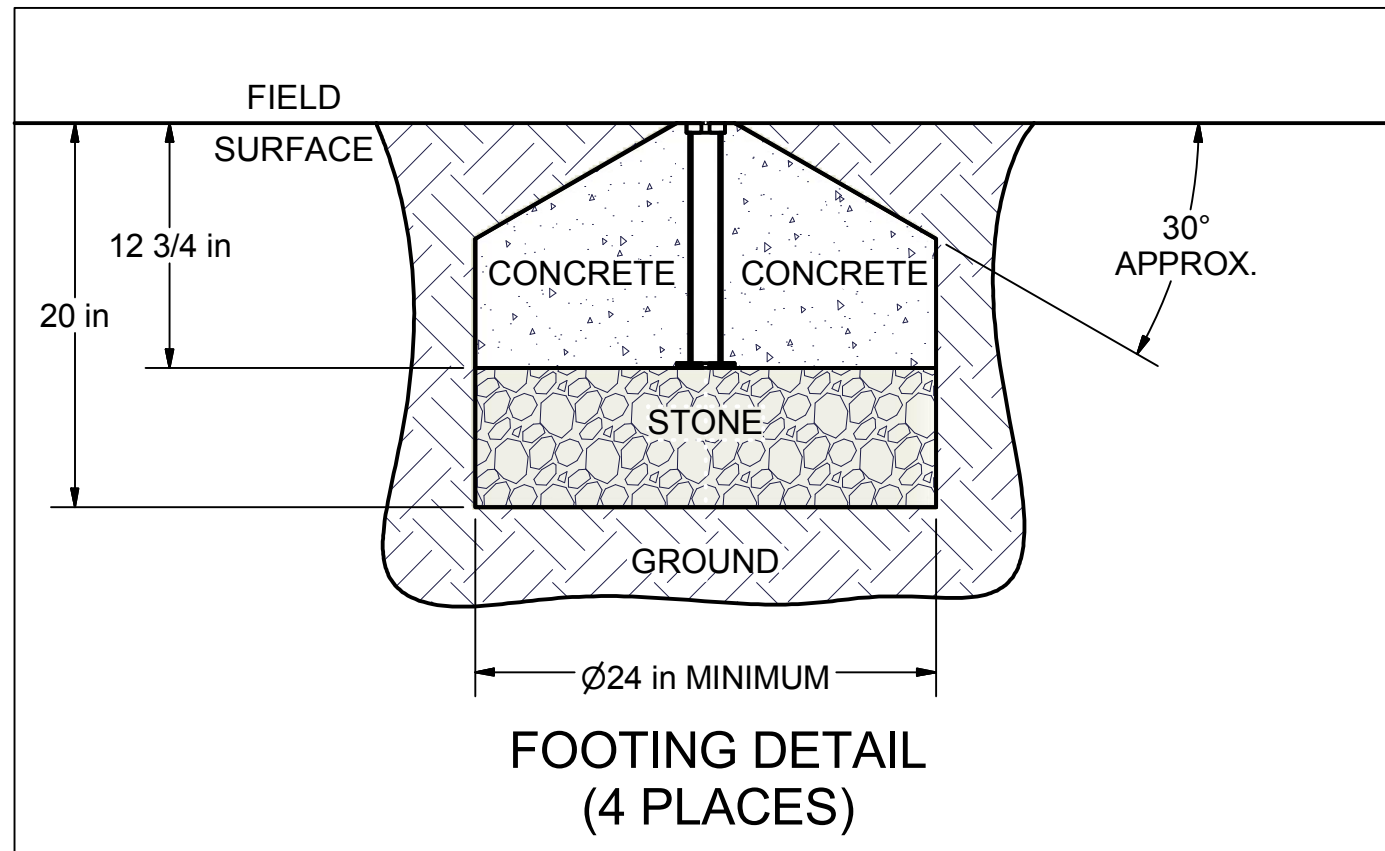
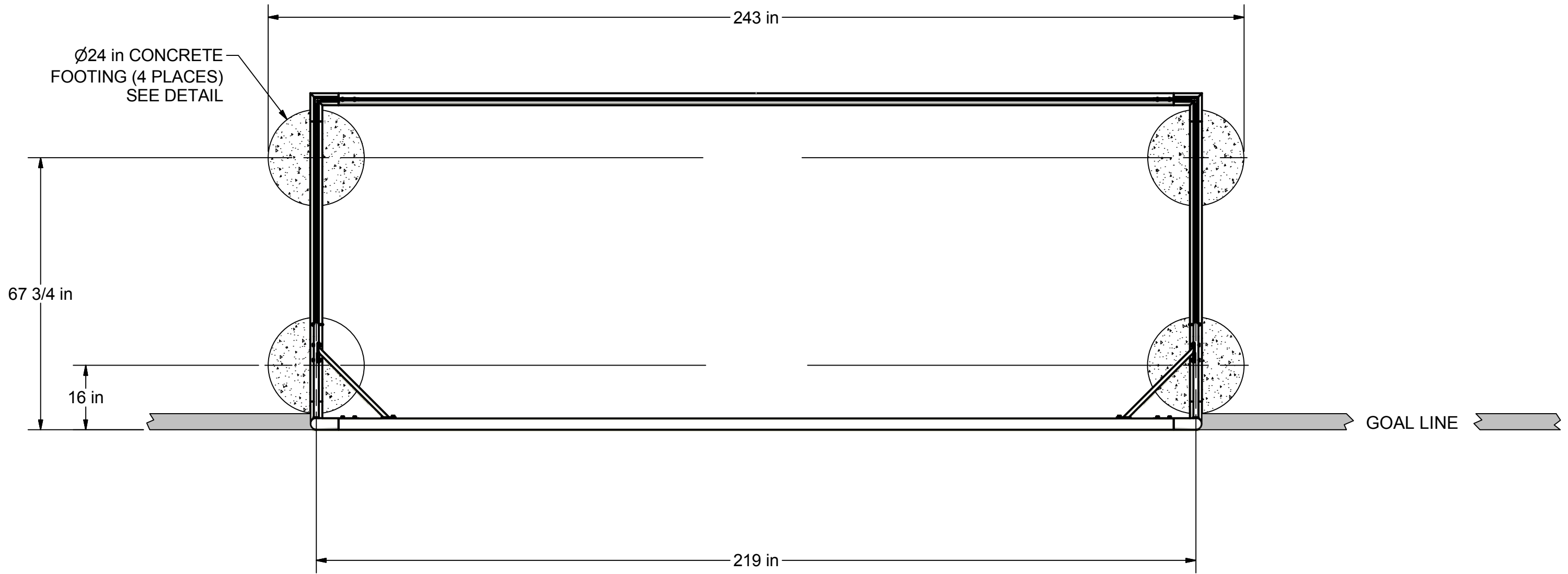
Cad File: 25B704.idw

Part #:

25B704

Desc:
6-1/2' X 18' EUROPEAN CLUB GOAL

OVERHEAD VIEW



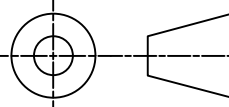

NOTES:

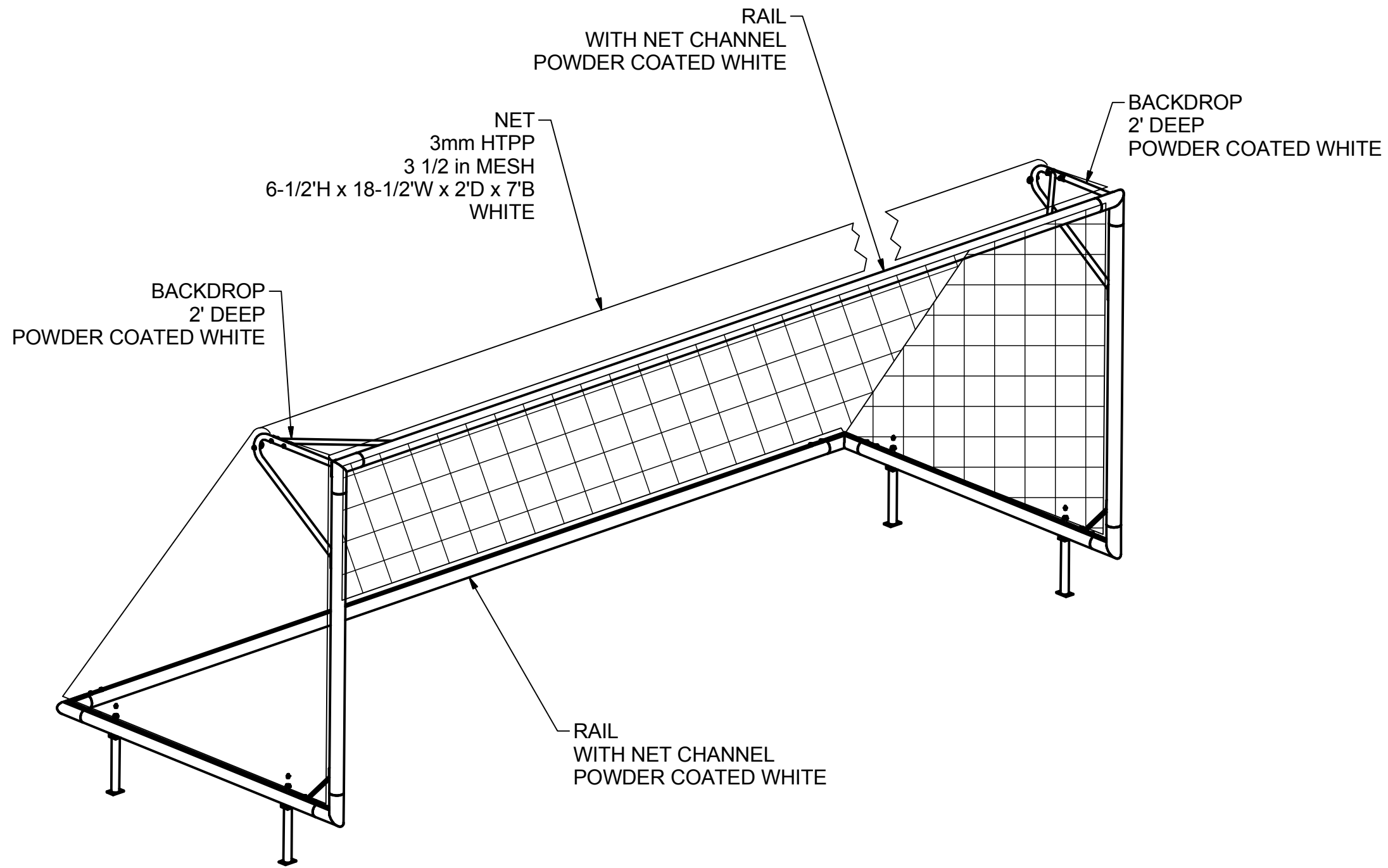
1) DIMENSIONS ARE FOR PLANNING PURPOSES. INSTALLATION MUST BE IN ACCORDANCE WITH INSTALLATION INSTRUCTIONS.

MATERIAL REQUIRED, BUT **NOT** SUPPLIED

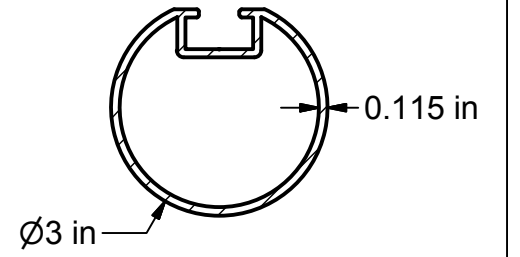
0.5 cubic yard - CONCRETE
 0.3 cubic yard - CLEAN STONE (1/4" - 3/4")
 ABOVE AMOUNTS ARE PER GOAL INSTALLATION

Finish Info.

 THIRD ANGLE PROJECTION	 140 Pacific Drive Quakertown, Pa. 18951	
	DIMENSIONS ARE IN INCHES UNLESS OTHERWISE SPECIFIED	Approved By: Date:
This item is the exclusive property of KWIK GOAL LTD. Reproduction or duplication without the express written consent of KWIK GOAL LTD. is strictly forbidden.	Drawn By: brush Date: 2/22/2010 Sheet: 2 of 4 Revision #: 2 Cad File: 25B704.idw	Desc: 6-1/2' X 18' EUROPEAN CLUB GOAL

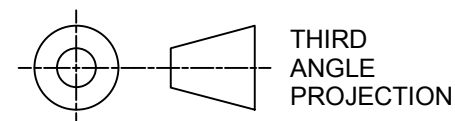


MATERIAL DETAIL



GOAL
MATERIAL - ALUMINUM

BACKDROP
MATERIAL - ALUMINUM



THIRD
ANGLE
PROJECTION



KWIK GOAL® 140 Pacific Drive
Quakertown,
Pa. 18951

DIMENSIONS ARE IN INCHES
UNLESS OTHERWISE SPECIFIED

Approved By:

Part #:

Date:

25B704

This item is the **exclusive**
property of **KWIK GOAL LTD.**
Reproduction or duplication
without the express written
consent of **KWIK GOAL LTD.**
is **strictly forbidden.**

Drawn By: brush

Desc:

Date: 2/22/2010

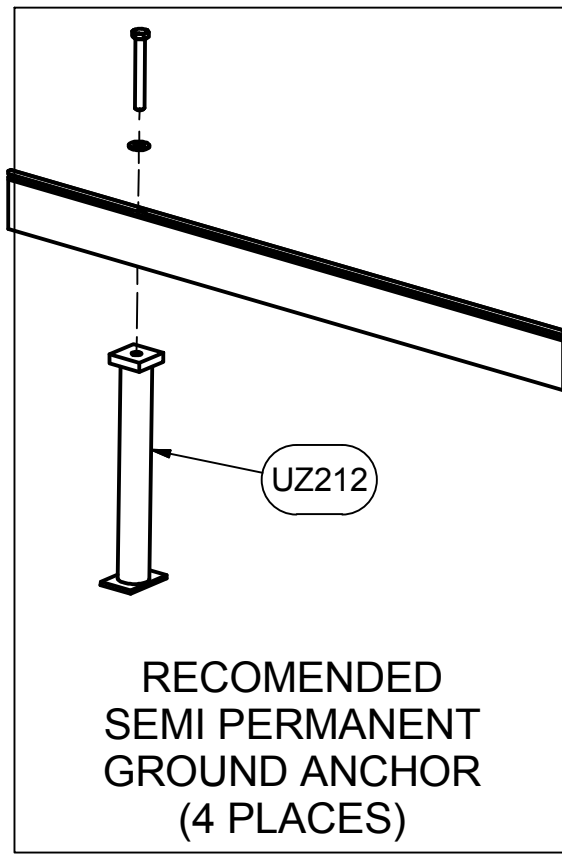
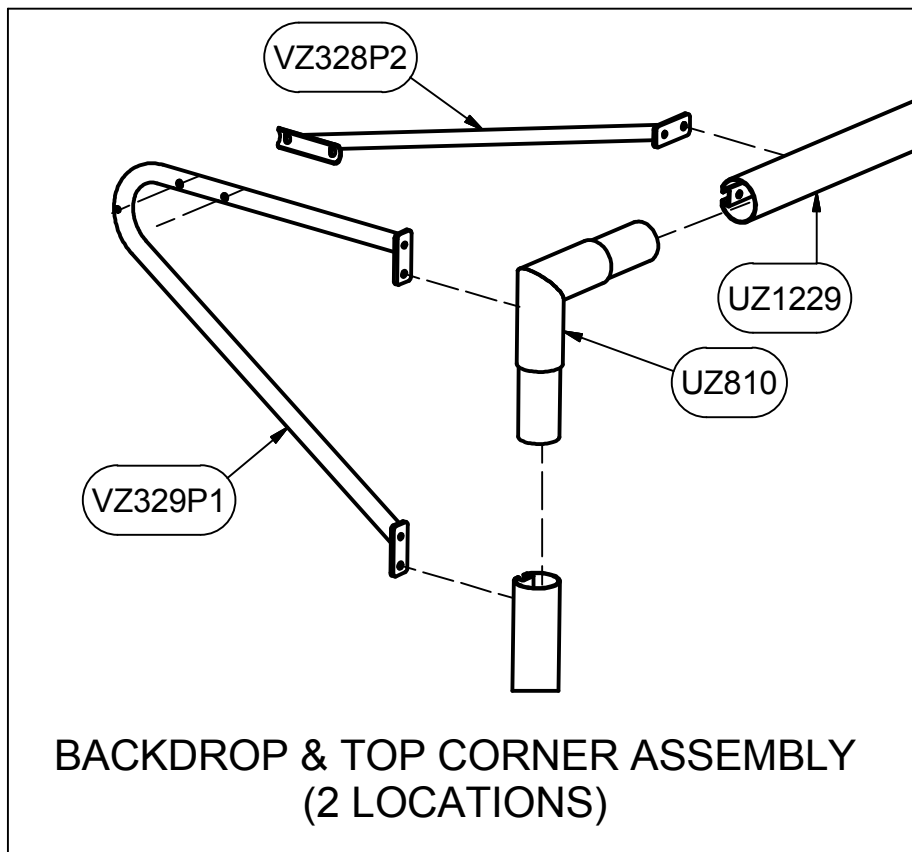
Sheet: 3 of 4

6-1/2' X 18' EUROPEAN
CLUB GOAL

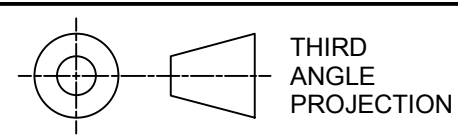
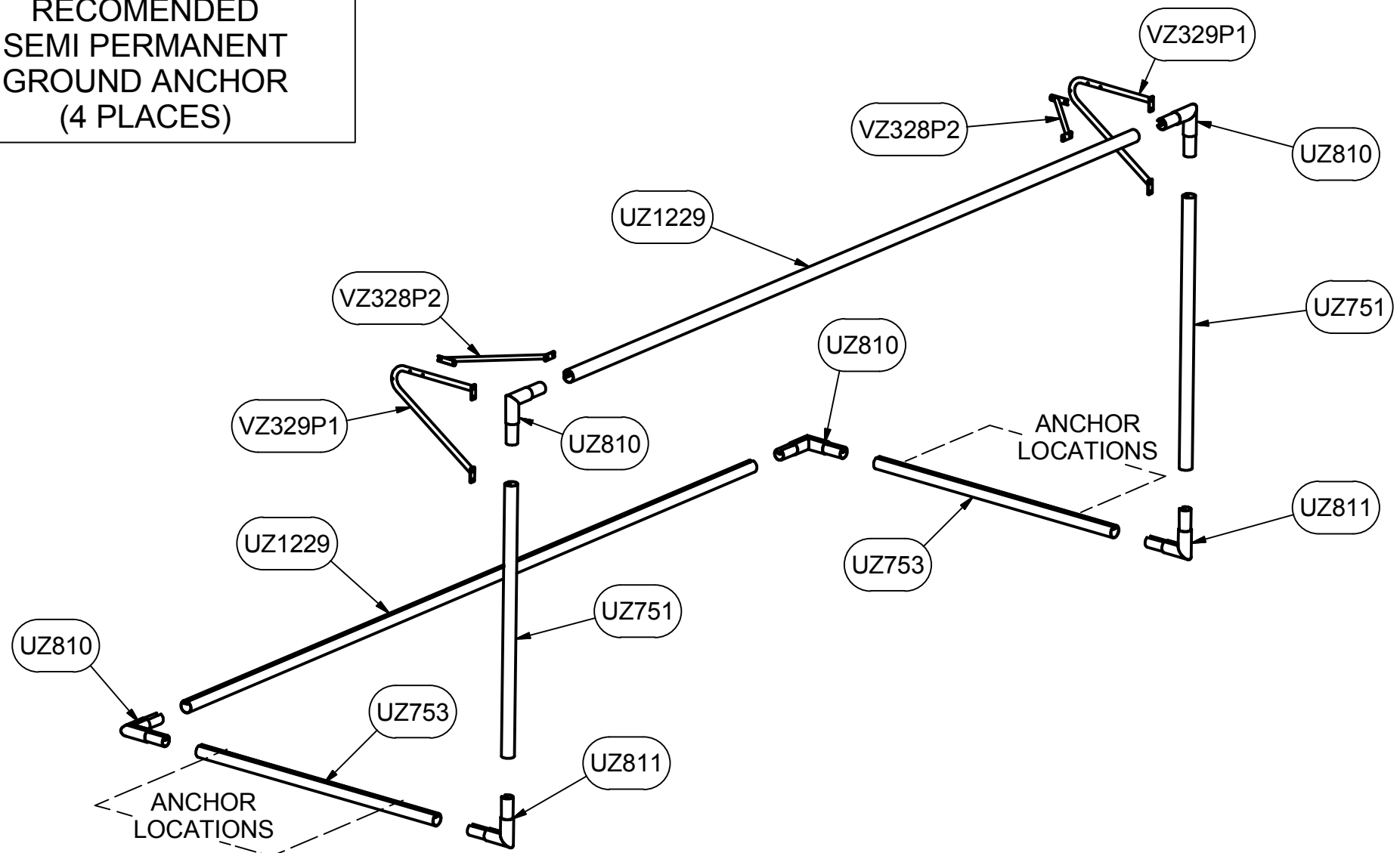
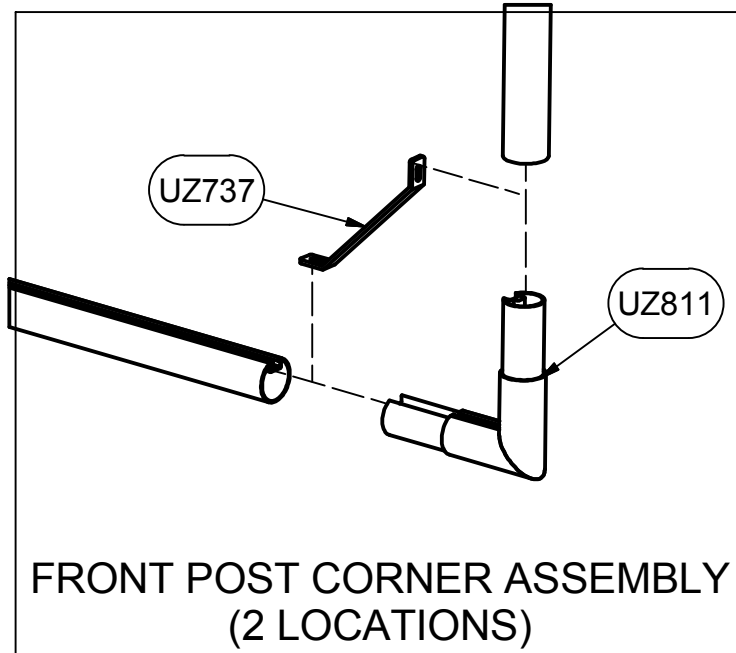
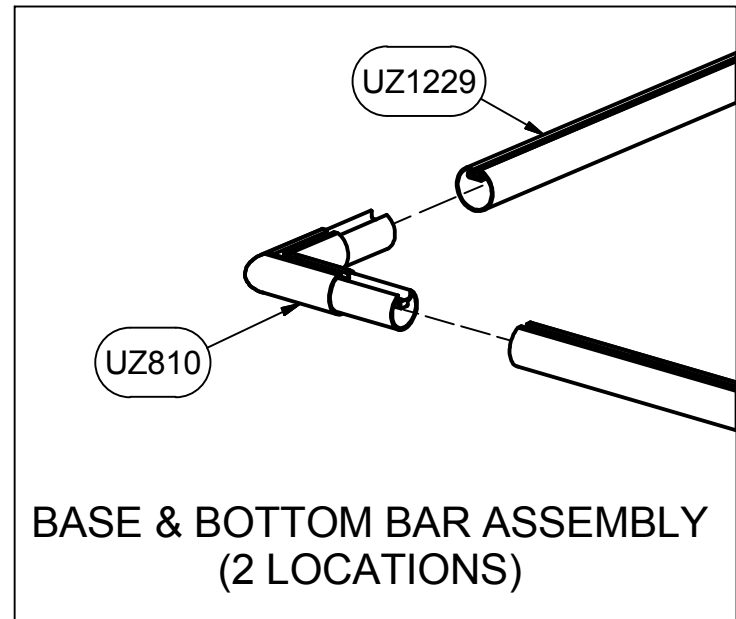
Revision #: 2

Cad File: 25B704.idw

Finish Info.



Parts List		
Part #	Qty	Description
UZ727	4	GROUND ANCHOR ASSEMBLY
UZ810	4	RAIL CORNER, EURO CLUB
UZ811	2	POST CORNER, EURO CLUB
UZ812	12	CHANNEL SPACER
UZ737	2	Front Post Brace
UZ1229	2	RAIL, 25B704
UZ751	2	Front Post, 2B3004, 2B3003
VZ329P1	2	BACKSTAY
VZ328P2	2	BACKSTAY BRACE
3B6824	1	NET, 3MM ROPE, 3 1/2 in MESH
UZ753	2	Base, 2B3004, 2B3003



KWIKGOAL® 140 Pacific Drive
Quakertown,
Pa. 18951

DIMENSIONS ARE IN INCHES
UNLESS OTHERWISE SPECIFIED

Approved By:
Date:

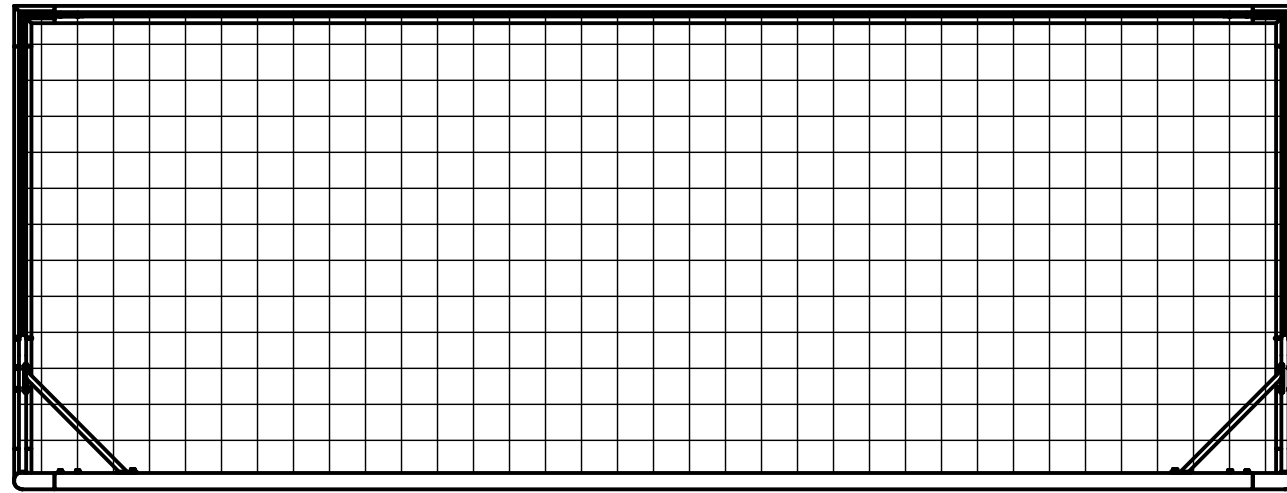
Part #:
25B704

This item is the **exclusive**
property of **KWIK GOAL LTD.**
Reproduction or duplication
without the express written
consent of **KWIK GOAL LTD.**
is **strictly forbidden.**

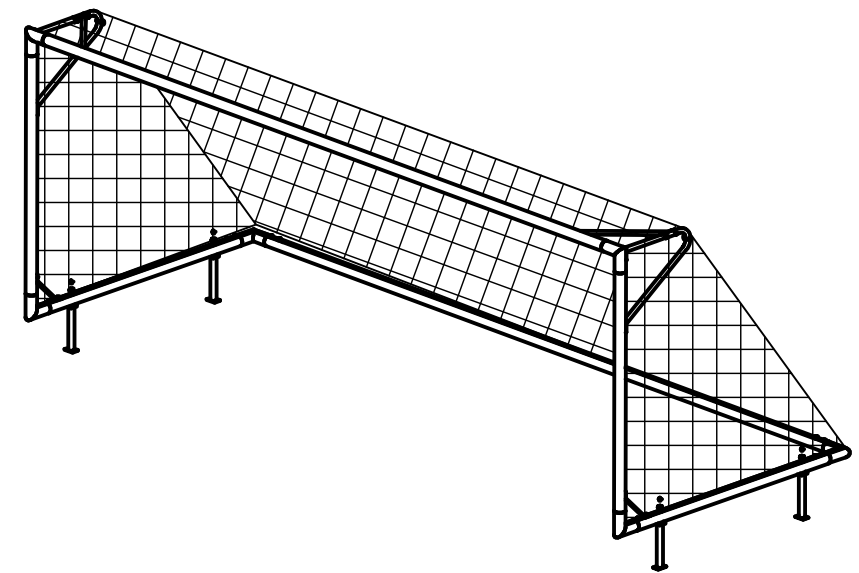
Drawn By: brush
Date: 2/22/2010
Sheet: 4 of 4
Revision #: 2
Cad File: 25B704.idw

Desc:
6-1/2' X 18' EUROPEAN
CLUB GOAL

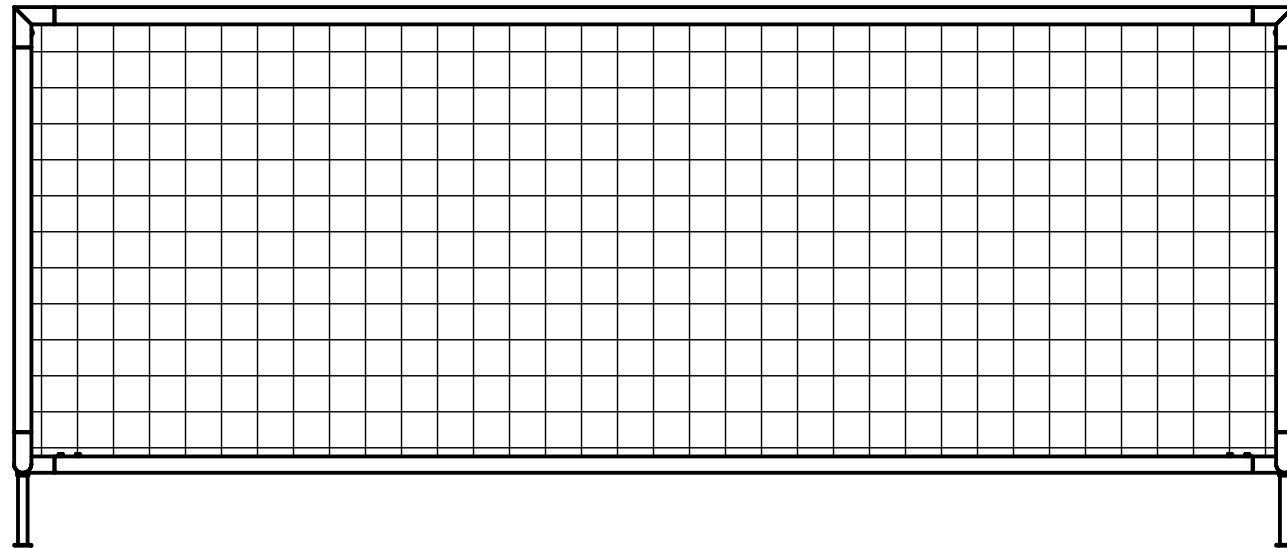
Finish Info.



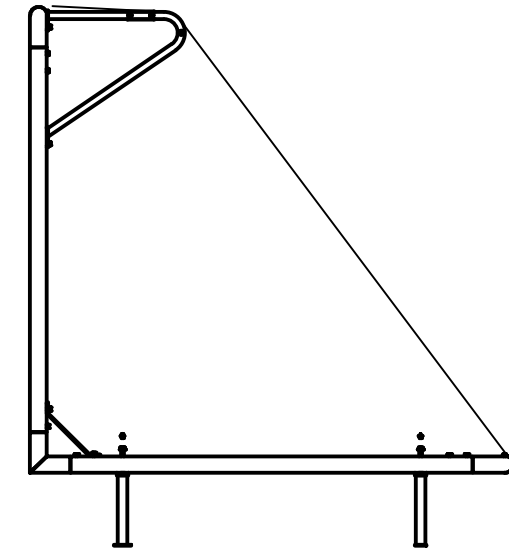
KWIK GOAL LTD.
25B704
TOP VIEW



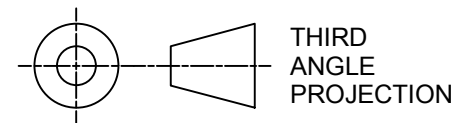
KWIK GOAL LTD.
25B704
ISOMETRIC VIEW



KWIK GOAL LTD.
25B704
FRONT VIEW



KWIK GOAL LTD.
25B704
RIGHT VIEW



THIRD
ANGLE
PROJECTION



DIMENSIONS ARE IN INCHES
UNLESS OTHERWISE SPECIFIED

Approved By:
Date:

Part #:
25B704

This item is the **exclusive**
property of **KWIK GOAL LTD.**
Reproduction or duplication
without the express written
consent of **KWIK GOAL LTD.**
is **strictly forbidden.**

Drawn By: brush
Date: 2/22/2010
Sheet: of 4
Revision #: 2
Cad File: 25B704.idw

Desc:
6-1/2' X 18' EUROPEAN
CLUB GOAL

Finish Info.