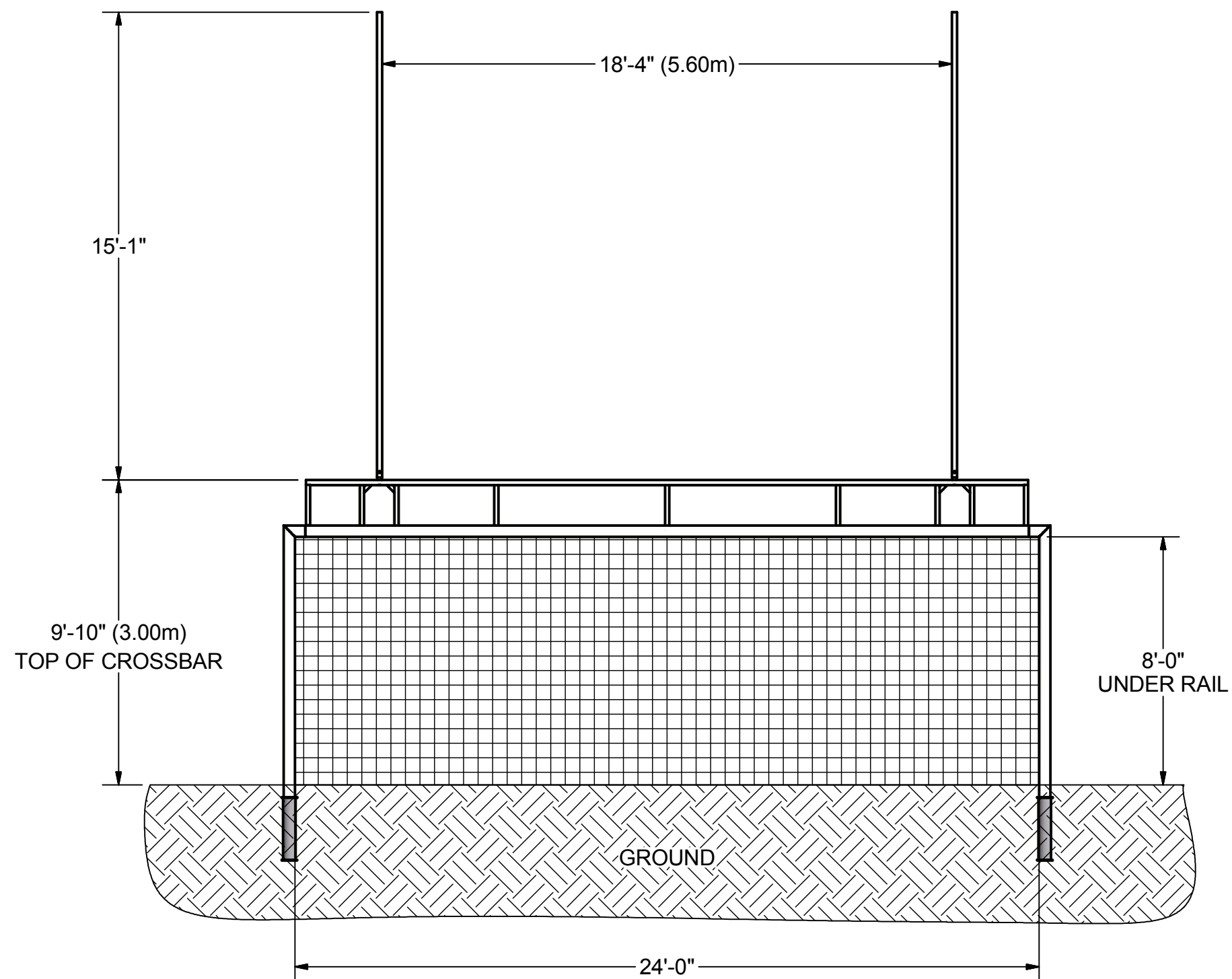
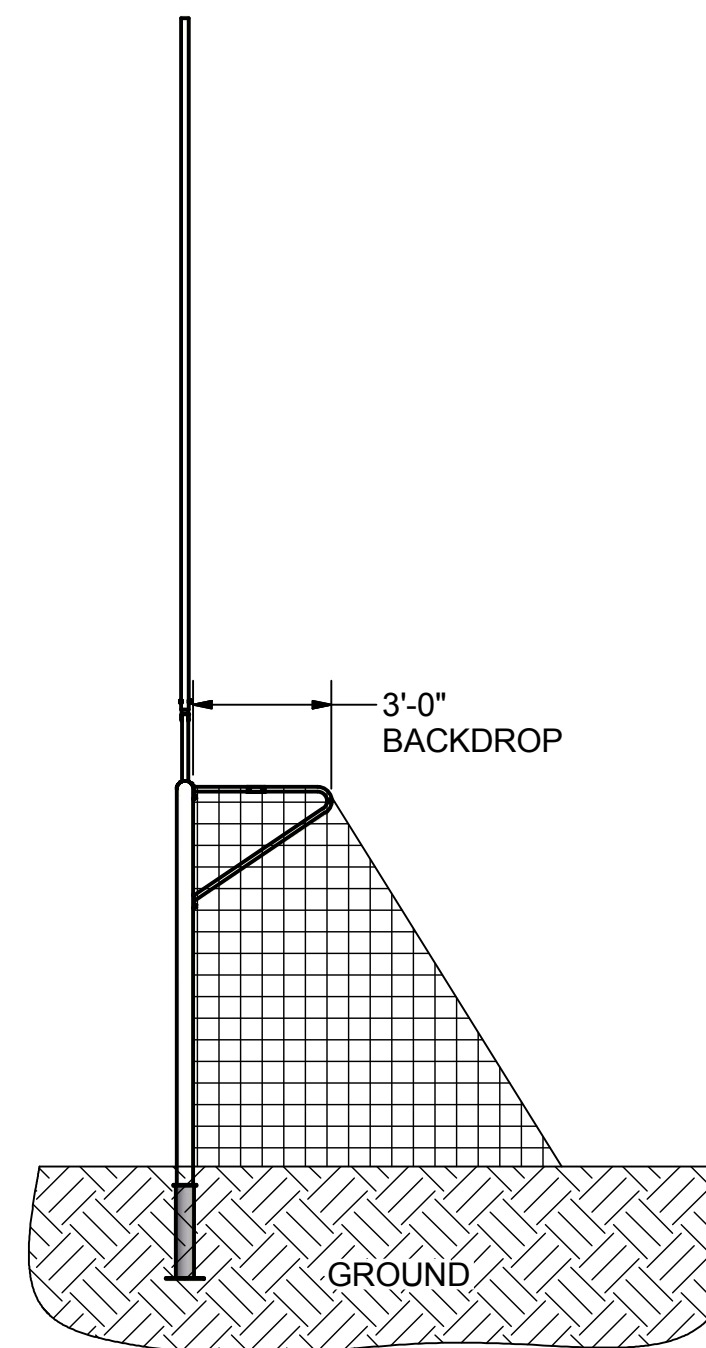


FRONT VIEW



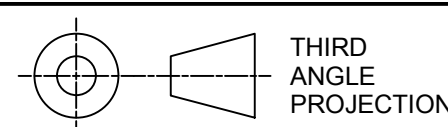
SIDE VIEW



FEATURES:

- 1) ALUMINUM POSTS, RAIL, CROSSBAR AND UPRIGHTS
- 2) FINISH:  
GOAL FRAME - WHITE POWDER COAT  
UPRIGHTS - WHITE POWDER COAT
- 3) NET AND AND CLIPS INCLUDED
- 4) GROUND SLEEVES FOR POSTS AND UPRIGHTS INCLUDED
- 5) ASSEMBLED WEIGHT:  
GOAL: 195 LBS.
- 6) EXCEEDS:  
ASTM F2056-09 STANDARDS

Finish Info.



THIRD ANGLE PROJECTION

**KWIKGOAL**® 140 Pacific Drive  
Quakertown, Pa. 18951

DIMENSIONS ARE IN INCHES UNLESS OTHERWISE SPECIFIED

Approved By:

Part #:

Date:

25J101

This item is the **exclusive** property of **KWIK GOAL LTD.** Reproduction or duplication **without** the express written consent of **KWIK GOAL LTD.** is **strictly forbidden.**

Drawn By: brush

Desc:

Date: 6/19/2008

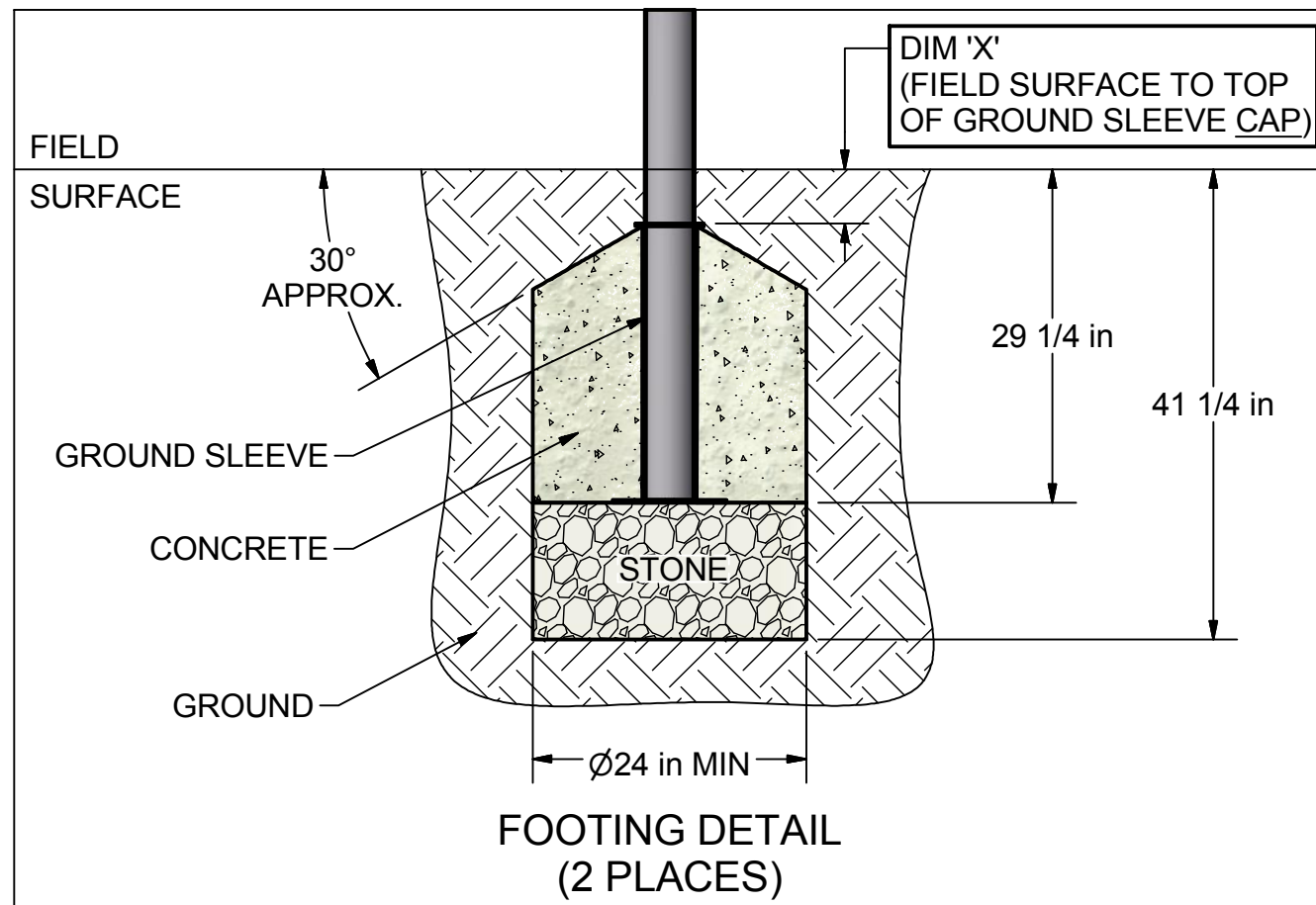
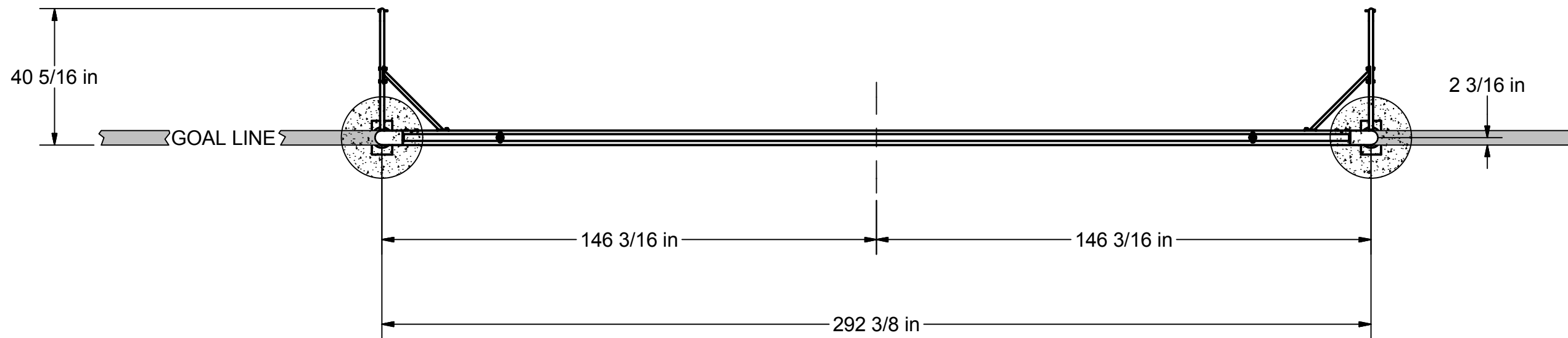
Sheet: 1 of 5

COMBINATION RUGBY SOCCER GOAL

Revision #: 2

Cad File: 25J101.idw

OVERHEAD VIEW



NOTES:

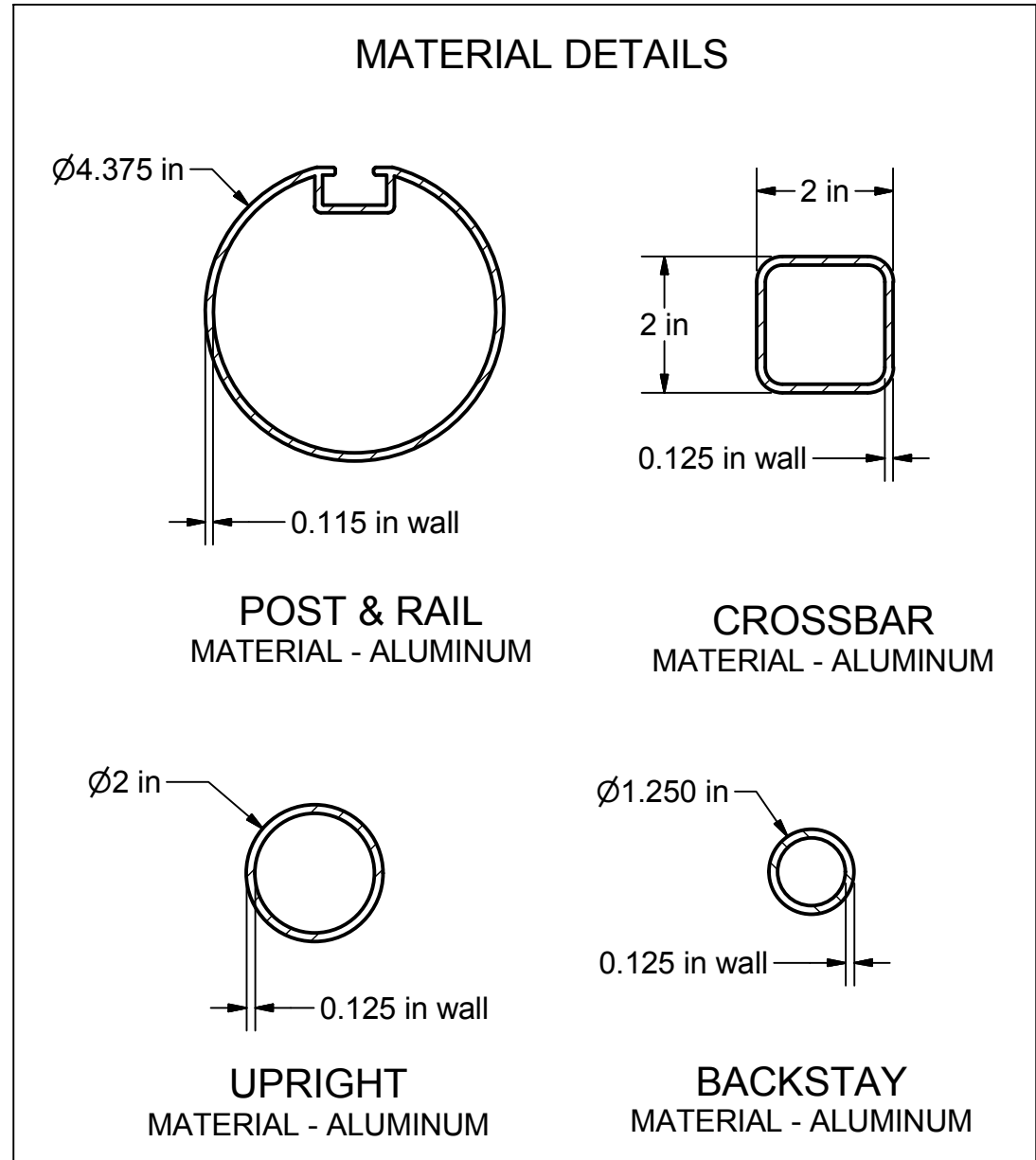
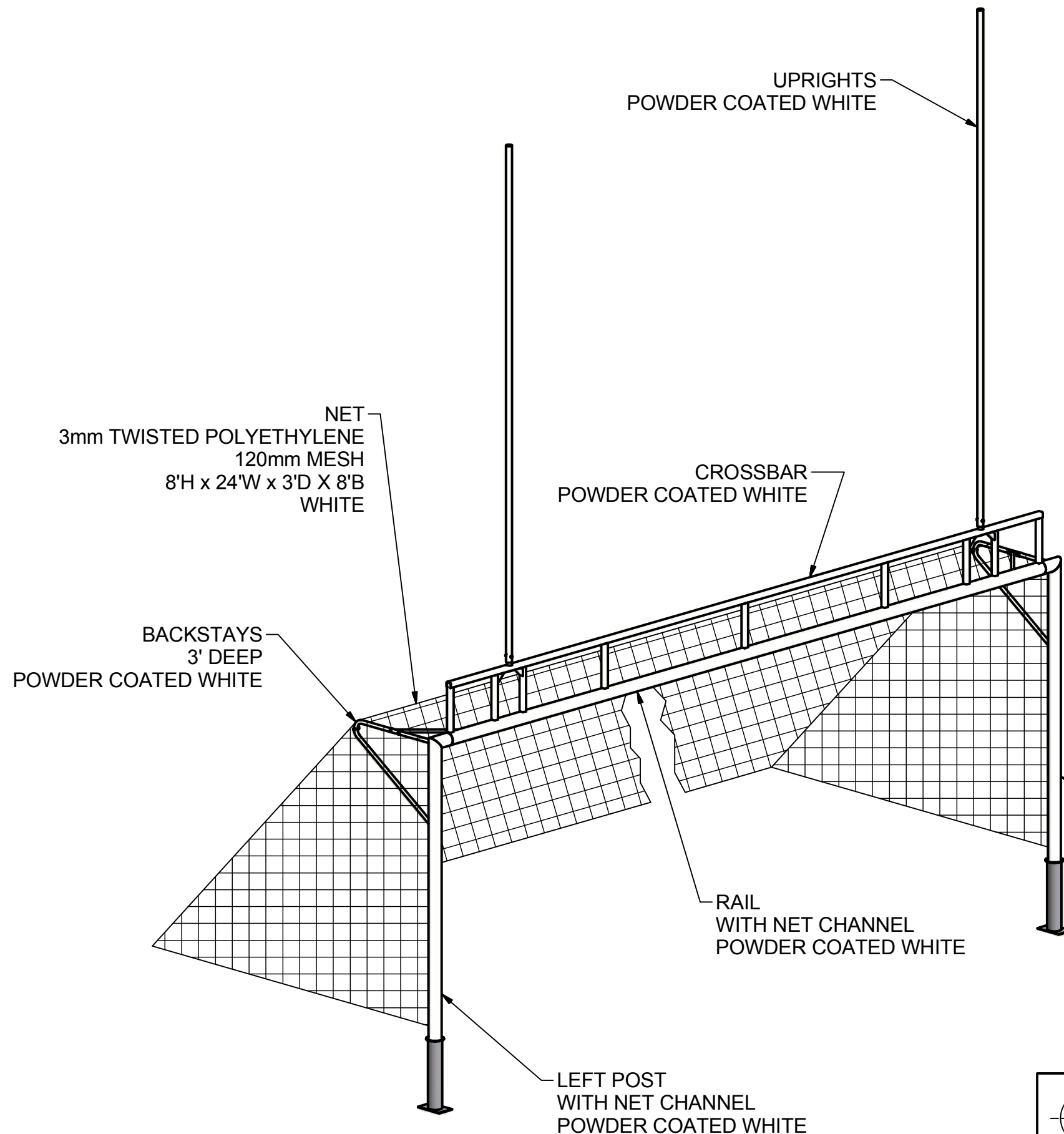
1) DIMENSIONS ARE FOR PLANNING PURPOSES. INSTALLATION MUST BE IN ACCORDANCE WITH INSTALLATION INSTRUCTIONS.

MATERIAL REQUIRED, BUT **NOT** SUPPLIED

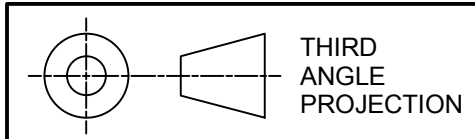
0.4 cubic yard - CONCRETE  
 0.3 cubic yard - CLEAN STONE (1/4" - 3/4")  
 ABOVE AMOUNTS ARE PER GOAL INSTALLATION

Finish Info.

<p>THIRD ANGLE PROJECTION</p>	<p>140 Pacific Drive Quakertown, Pa. 18951</p>	
	DIMENSIONS ARE IN INCHES UNLESS OTHERWISE SPECIFIED	Approved By: Date:
This item is the <b>exclusive</b> property of <b>KWIK GOAL LTD.</b> Reproduction or duplication <b>without</b> the express written consent of <b>KWIK GOAL LTD.</b> is <b>strictly forbidden.</b>	Drawn By: brush Date: 6/19/2008	Desc: COMBINATION RUGBY SOCCER GOAL
	Sheet: 2 of 5 Revision #: 2	
	Cad File: 25J101.idw	



**Finish Info.**



**KWIKGOAL**® 140 Pacific Drive  
Quakertown, Pa. 18951

DIMENSIONS ARE IN INCHES  
UNLESS OTHERWISE SPECIFIED

Approved By:  
Date:

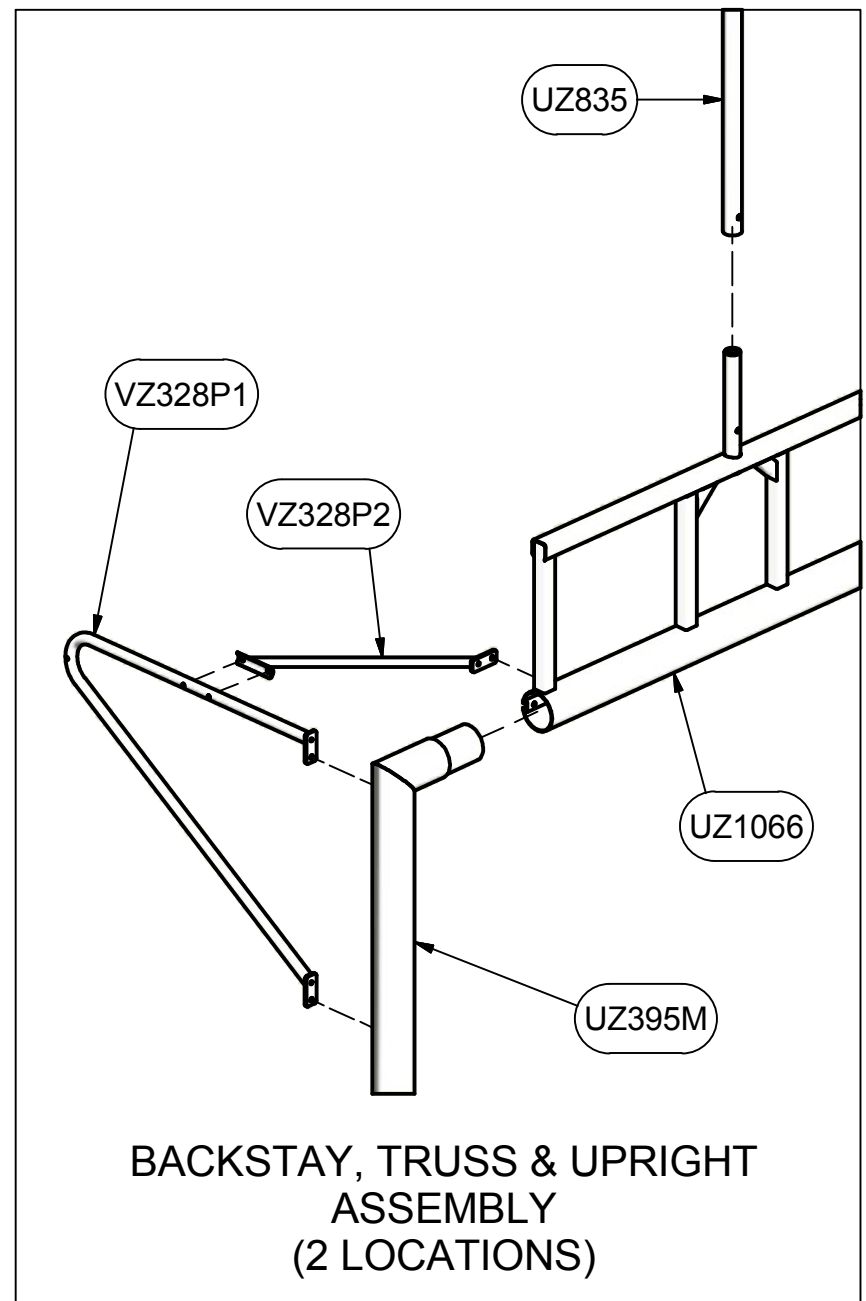
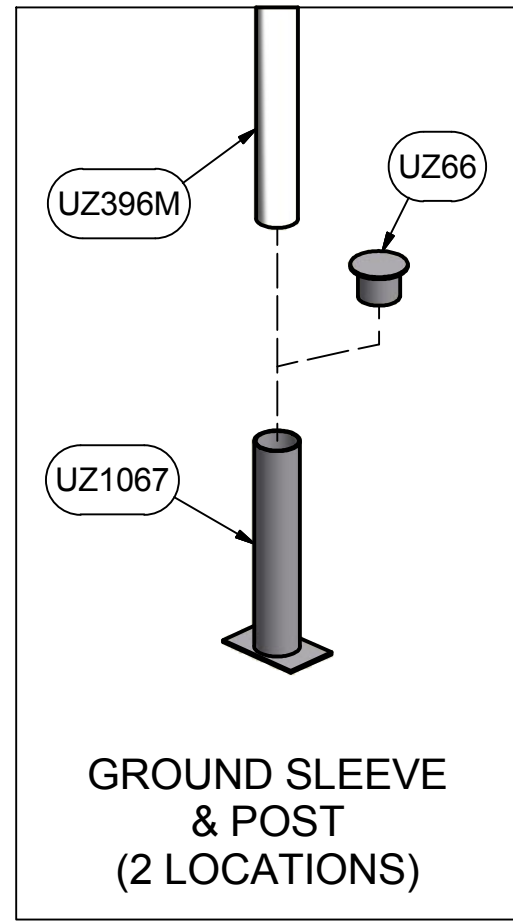
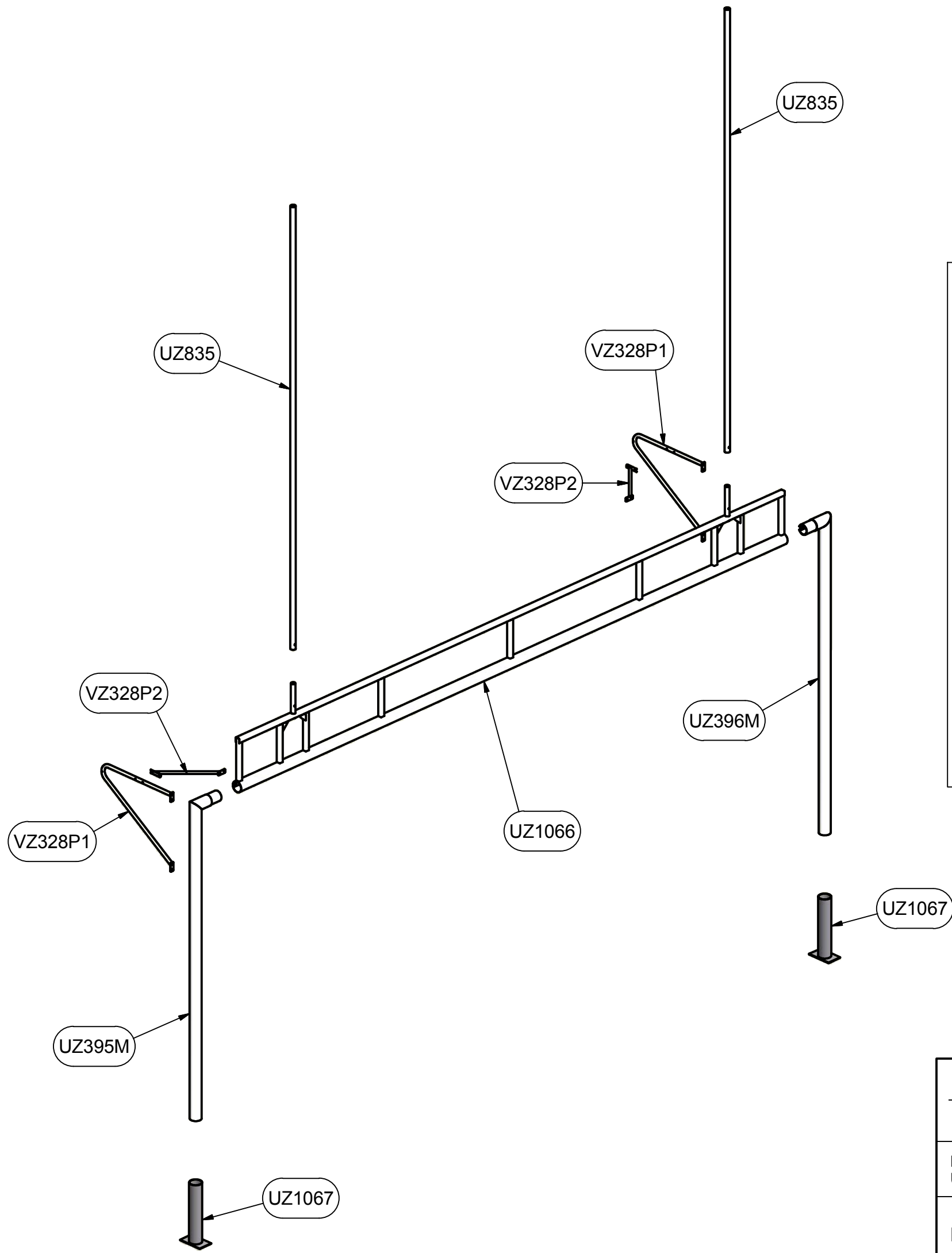
Part #:  
**25J101**

This item is the **exclusive** property of **KWIK GOAL LTD.** Reproduction or duplication **without** the express written consent of **KWIK GOAL LTD.** is **strictly forbidden.**

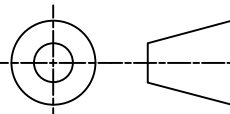
Drawn By: brush  
Date: 6/19/2008  
Sheet: 3 of 5  
Revision #: 2  
Cad File: 25J101.idw


Desc:  
COMBINATION RUGBY  
SOCCER GOAL

Parts List		
Part #	Qty	Description
UZ1066	1	Truss, Custom Rugby/Soccer
UZ396M	1	2D301 FRONT POST RIGHT PART(B)
UZ395M	1	2D301 FRONT POST LEFT PART (A)
VZ328P2	2	BACKSTAY BRACE
VZ328P1	2	BACKSTAY
UZ835	2	Upright, 2D301 Football/Soccer
UZ1067	2	Ground Sleeve
UZ66	2	GROUND SLEEVE CAP
0050A	1	NET, 3MM ROPE, 120MM MESH

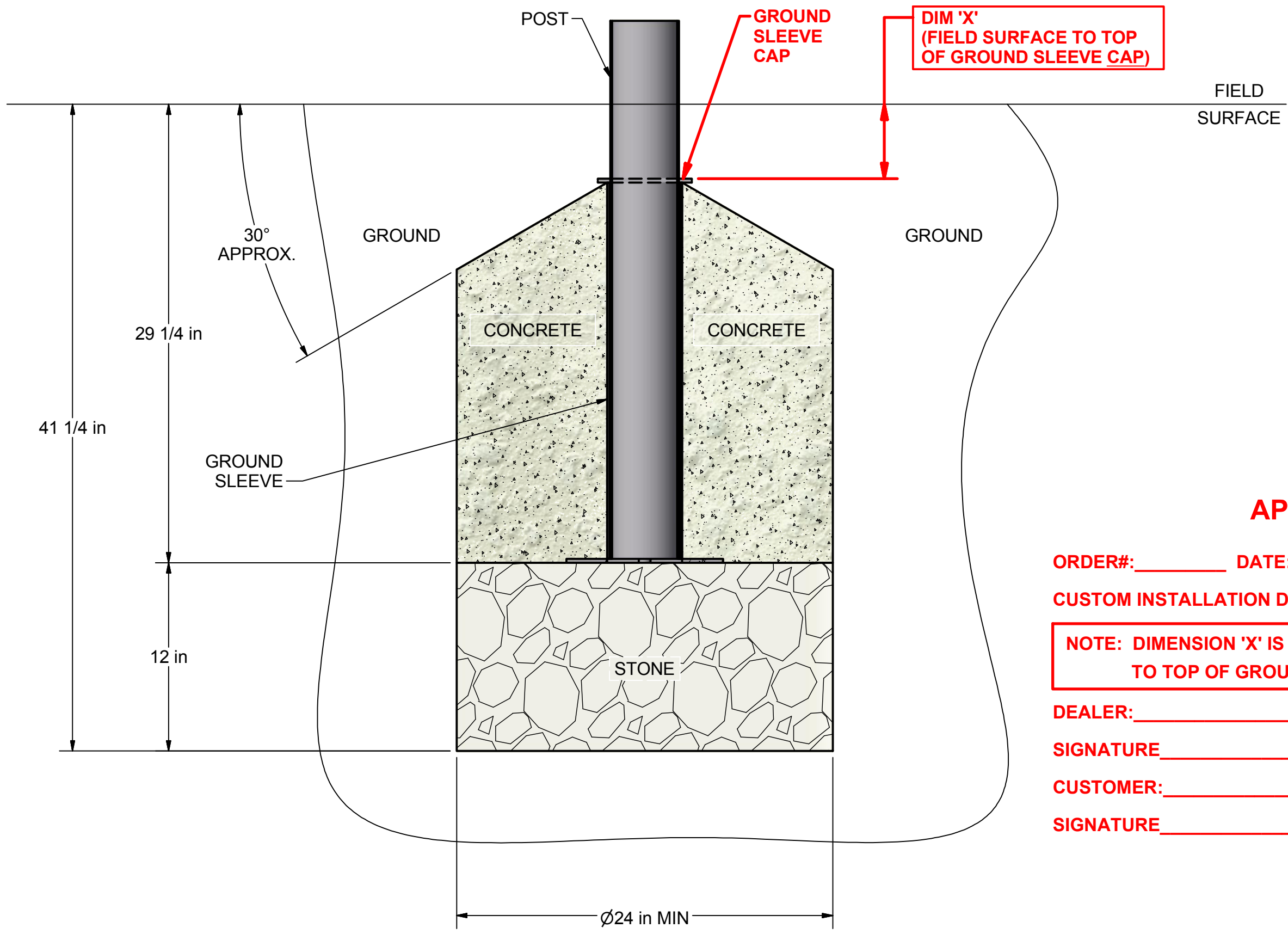


Finish Info.


 THIRD ANGLE PROJECTION  
 DIMENSIONS ARE IN INCHES UNLESS OTHERWISE SPECIFIED  
 This item is the **exclusive** property of **KWIK GOAL LTD.** Reproduction or duplication **without** the express written consent of **KWIK GOAL LTD.** is **strictly forbidden.**


 140 Pacific Drive  
 Quakertown, Pa. 18951

Approved By:	Part #: <b>25J101</b>
Date:	
Drawn By: brush	Desc: COMBINATION RUGBY SOCCER GOAL
Date: 6/19/2008	
Sheet: 4 of 5	
Revision #: 2	
Cad File: 25J101.idw	



**APPROVAL**

ORDER#: \_\_\_\_\_ DATE: \_\_\_\_\_ QUANTITY: \_\_\_\_\_

CUSTOM INSTALLATION DEPTH (DIM'X') (0"-4-5/8"): \_\_\_\_\_

**NOTE: DIMENSION 'X' IS FROM FIELD SURFACE TO TOP OF GROUND SLEEVE CAP**

DEALER: \_\_\_\_\_

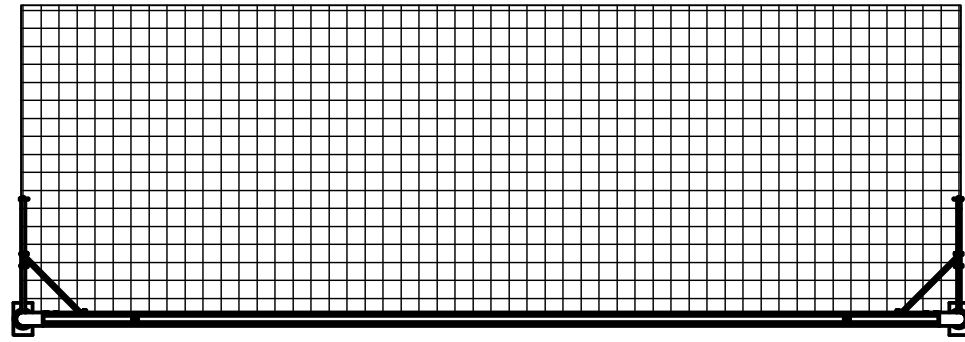
SIGNATURE \_\_\_\_\_ DATE: \_\_\_\_\_

CUSTOMER: \_\_\_\_\_

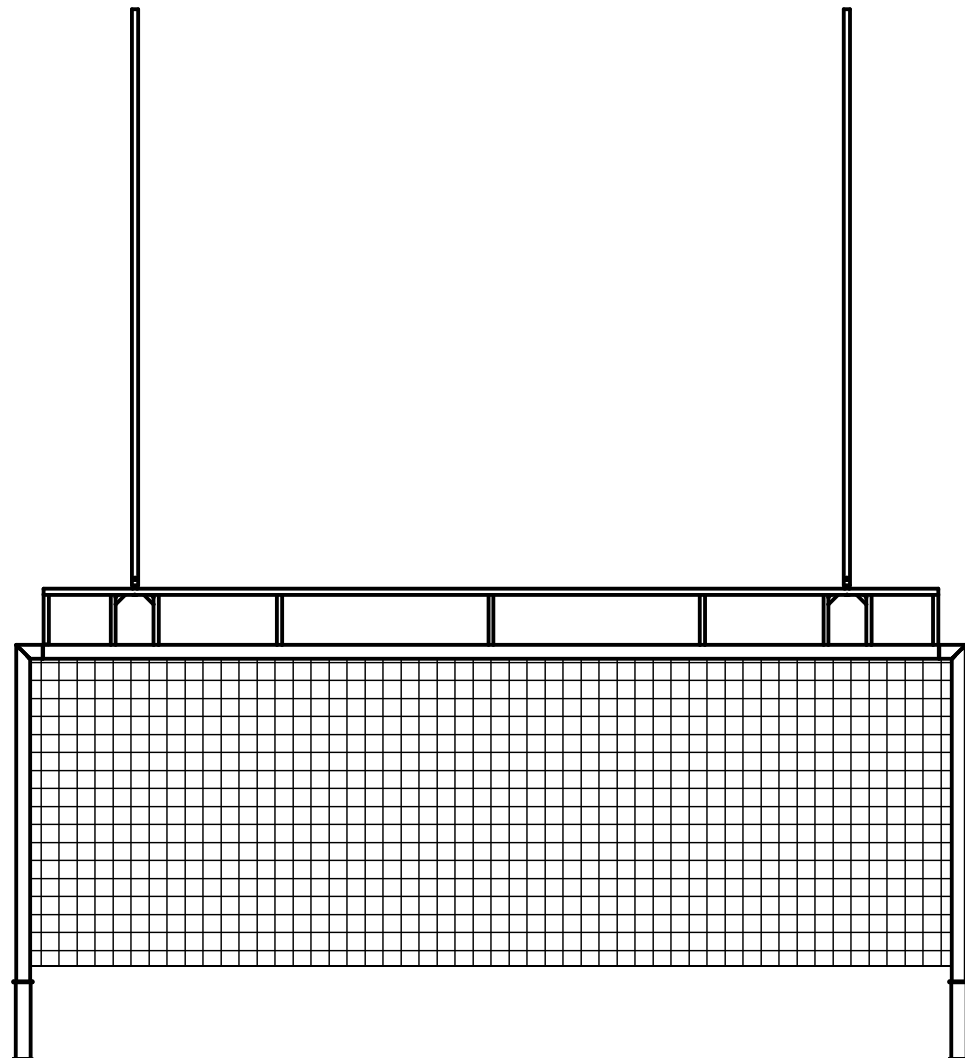
SIGNATURE \_\_\_\_\_ DATE: \_\_\_\_\_

**Finish Info.**

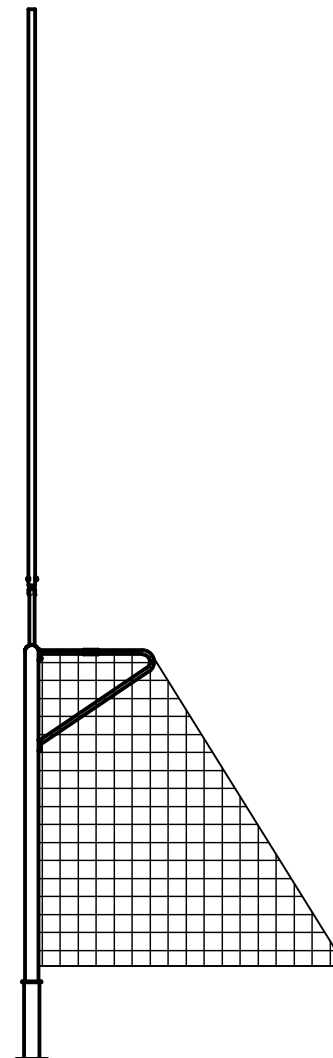
<p>THIRD ANGLE PROJECTION</p>	<p>140 Pacific Drive Quakertown, Pa. 18951</p>	
	<p>DIMENSIONS ARE IN INCHES UNLESS OTHERWISE SPECIFIED</p>	<p>Approved By: _____ Date: _____</p>
<p>This item is the <b>exclusive</b> property of <b>KWIK GOAL LTD.</b> Reproduction or duplication <b>without</b> the express written consent of <b>KWIK GOAL LTD.</b> is <b>strictly forbidden.</b></p>	<p>Drawn By: brush</p>	<p>Desc: COMBINATION RUGBY SOCCER GOAL</p>
	<p>Date: 6/19/2008</p>	
	<p>Sheet: 5 of 5</p>	
	<p>Revision #: 2</p>	
<p>Cad File: 25J101.idw</p>		



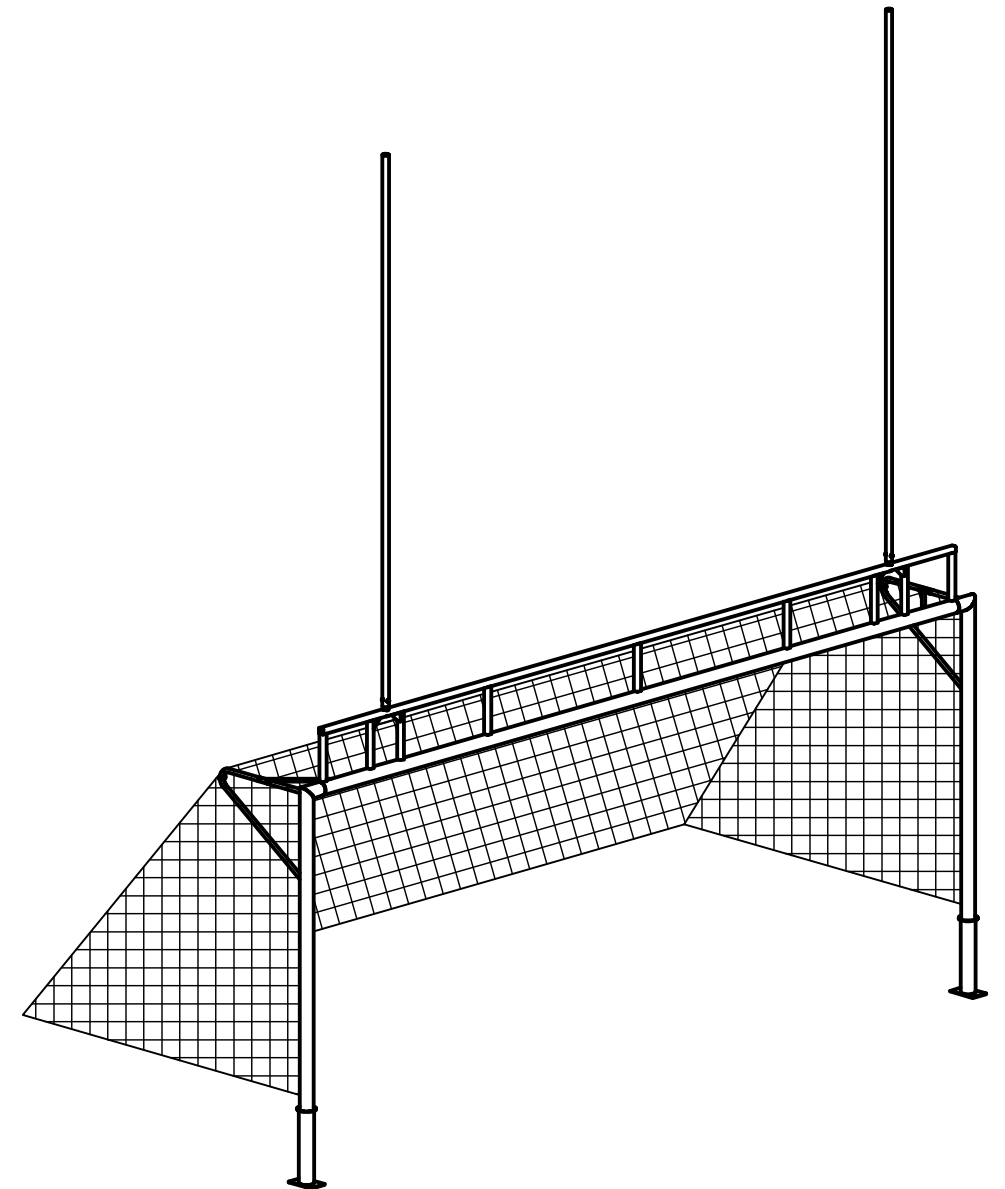
KWIK GOAL LTD.  
25J101  
TOP VIEW



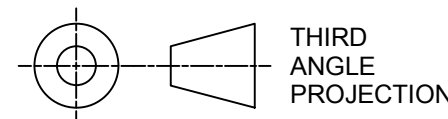
KWIK GOAL LTD.  
25J101  
FRONT VIEW



KWIK GOAL LTD.  
25J101  
RIGHT VIEW



KWIK GOAL LTD.  
25J101  
ISOMETRIC VIEW



THIRD  
ANGLE  
PROJECTION

**KWIKGOAL**® 140 Pacific Drive  
Quakertown,  
Pa. 18951

DIMENSIONS ARE IN INCHES  
UNLESS OTHERWISE SPECIFIED

Approved By:  
Date:

Part #:  
**25J101**

This item is the **exclusive**  
property of **KWIK GOAL LTD.**  
Reproduction or duplication  
**without** the express written  
consent of **KWIK GOAL LTD.**  
is **strictly forbidden.**

Drawn By: brush  
Date: 6/19/2008  
Sheet: of 5  
Revision #: 2  
Cad File: 25J101.idw

Desc:  
COMBINATION RUGBY  
SOCCER GOAL

**Finish Info.**