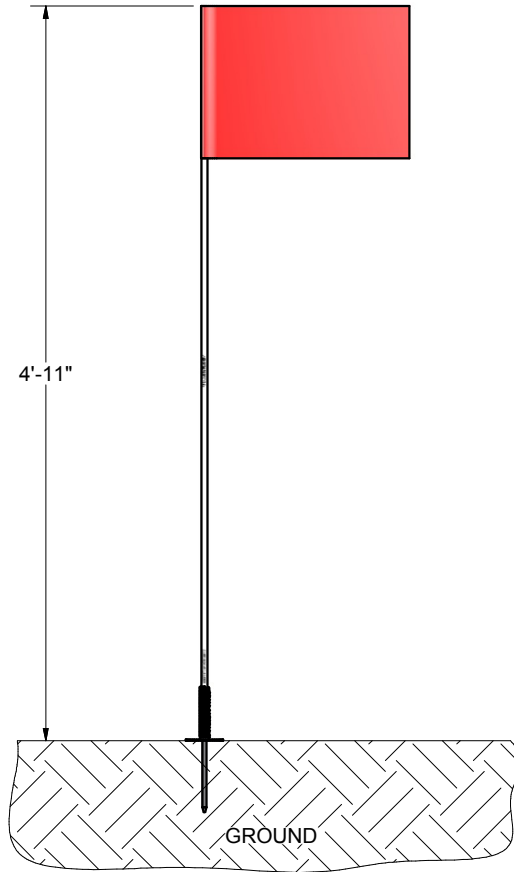


FRONT VIEW

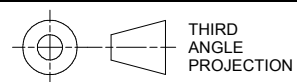
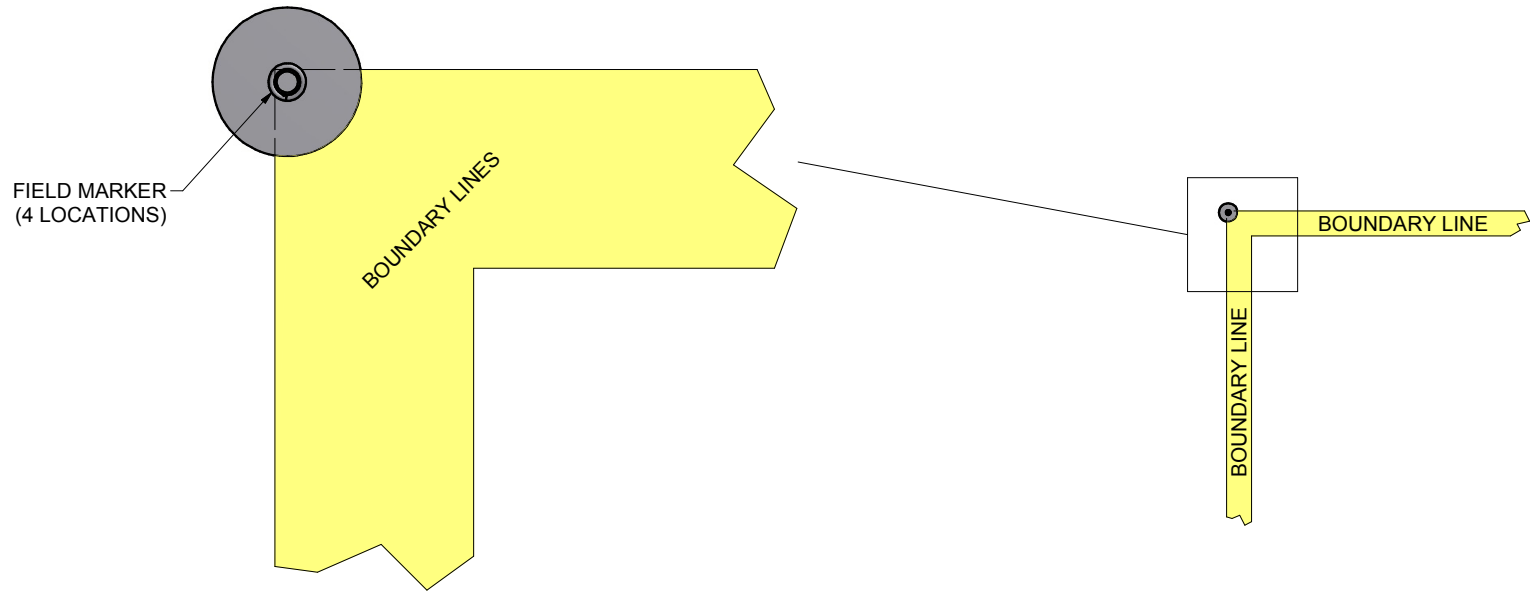


FEATURES:

- 1) FLEXIBLE LEXAN CONSTRUCTION
- 2) FINISH: WHITE
- 3) INCLUDED:
 - ROUND STEEL SPRING BASE WITH GROUND PEG
- 4) ASSEMBLED WEIGHT: 5 LBS. PER SET
 SINGLE FLAG POLE WEIGHT: 1.25 LBS.

Finish Info.

 THIRD ANGLE PROJECTION	 140 Pacific Drive Quakertown, Pa. 18951	
	DIMENSIONS ARE IN INCHES UNLESS OTHERWISE SPECIFIED	Approved By:
This item is the exclusive property of KWIK GOAL LTD. Reproduction or duplication without the express written consent of KWIK GOAL LTD. is strictly forbidden.	Date:	6B404
	Drawn By: KFrish	
	Date: 12/16/2010	Desc:
	Sheet: 1 of 4	OBSTACLE COURSE MARKERS 4/SET
	Revision #: -	
	Cad File: 6B404.idw	



KWIKGOAL® 140 Pacific Drive
Quakertown,
Pa. 18951

DIMENSIONS ARE IN INCHES
UNLESS OTHERWISE SPECIFIED

Approved By:

Part #:

Date:

6B404

This item is the **exclusive**
property of **KWIK GOAL LTD.**
Reproduction or duplication
without the express written
consent of **KWIK GOAL LTD.**
is **strictly forbidden.**

Drawn By: KFrish

Date: 12/16/2010

Sheet: 2 of 4

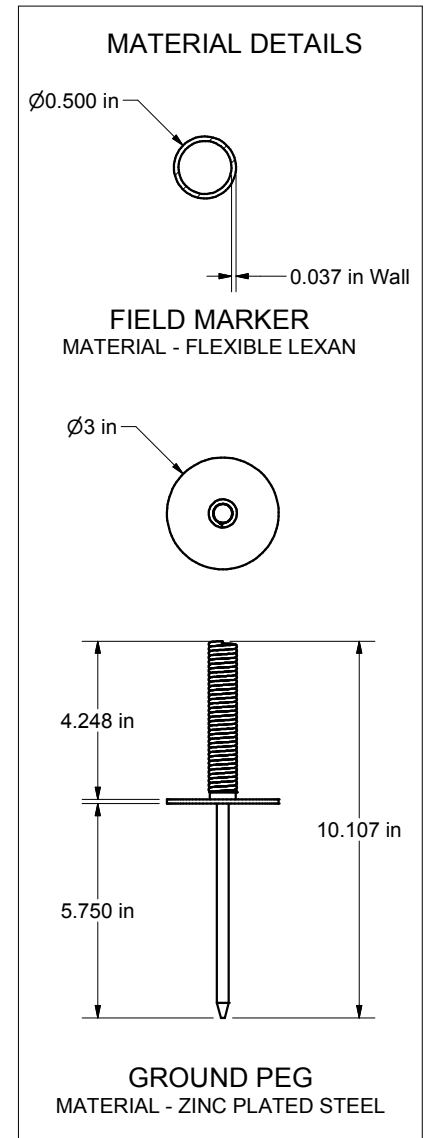
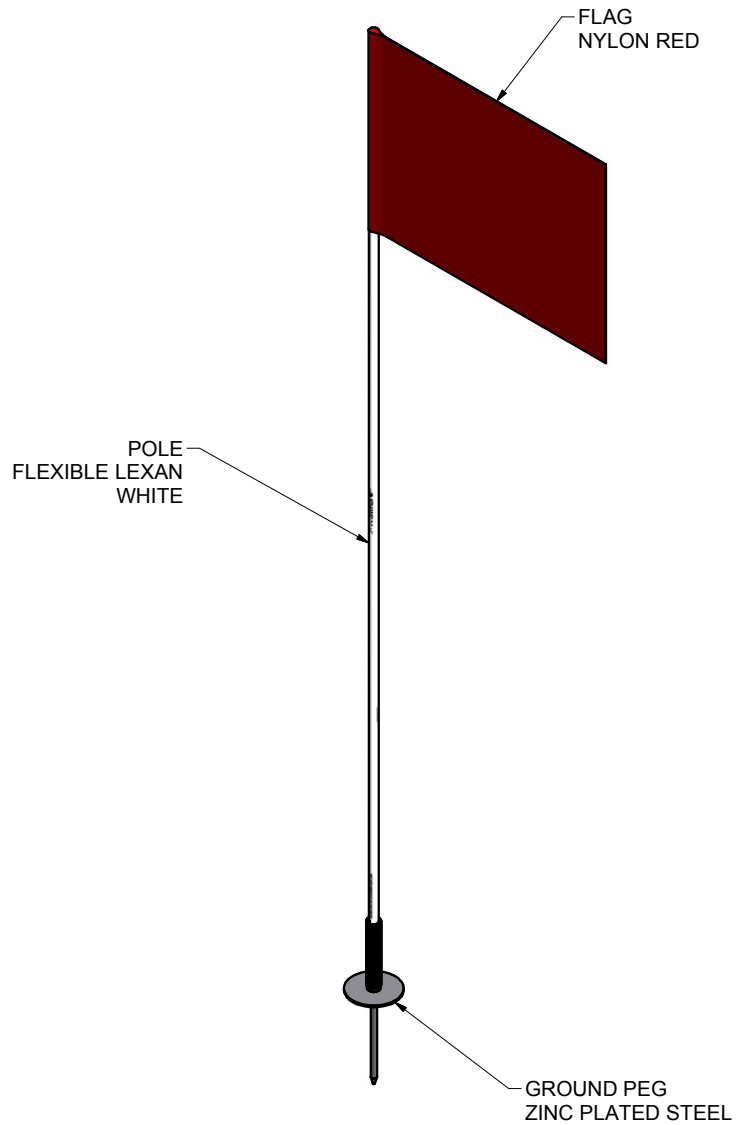
Revision #: -

Cad File: 6B404.idw

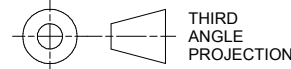
Desc:

OBSTACLE COURSE
MARKERS 4/SET

Finish Info.



Finish Info.



DIMENSIONS ARE IN INCHES UNLESS OTHERWISE SPECIFIED

This item is the **exclusive** property of **KWIK GOAL LTD.** Reproduction or duplication **without** the express written consent of **KWIK GOAL LTD.** is **strictly forbidden.**



Approved By:

Date:

Drawn By: KFrish

Date: 12/16/2010

Sheet: 3 of 4

Revision #: -

Cad File: 6B404.idw

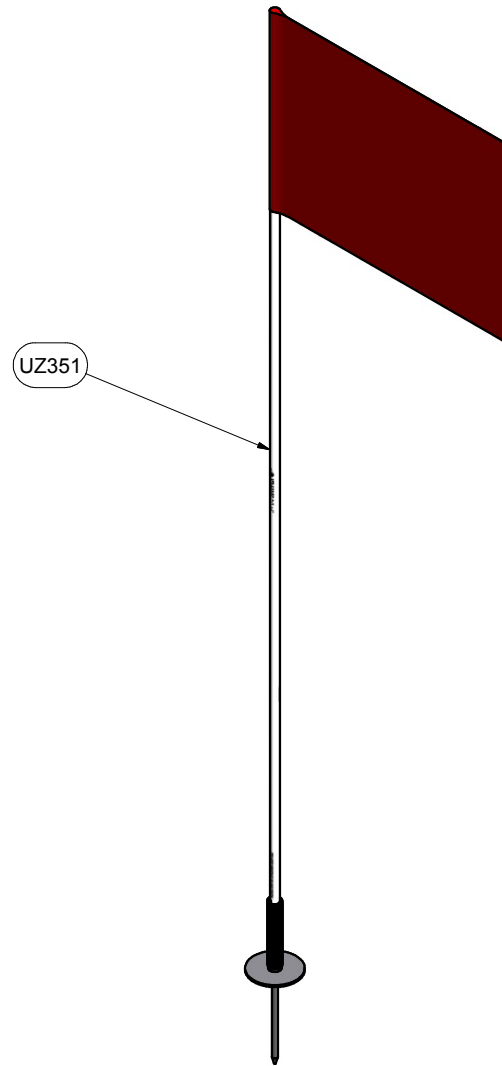
Part #:

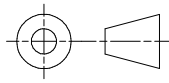

6B404

Desc:

OBSTACLE COURSE MARKERS 4/SET

Parts List		
Part #	Qty	Description
UZ351	4	OCM-1 FLAG (WITH POLE)



 THIRD ANGLE PROJECTION	 140 Pacific Drive Quakertown, Pa. 18951	
	DIMENSIONS ARE IN INCHES UNLESS OTHERWISE SPECIFIED	Approved By: Date:
This item is the exclusive property of KWIK GOAL LTD. Reproduction or duplication without the express written consent of KWIK GOAL LTD. is strictly forbidden.	Drawn By: KFrisch	Desc: OBSTACLE COURSE MARKERS 4/SET
	Date: 12/16/2010	
	Sheet: 4 of 4	
	Revision #: -	
Cad File: 6B404.idw		

Finish Info.