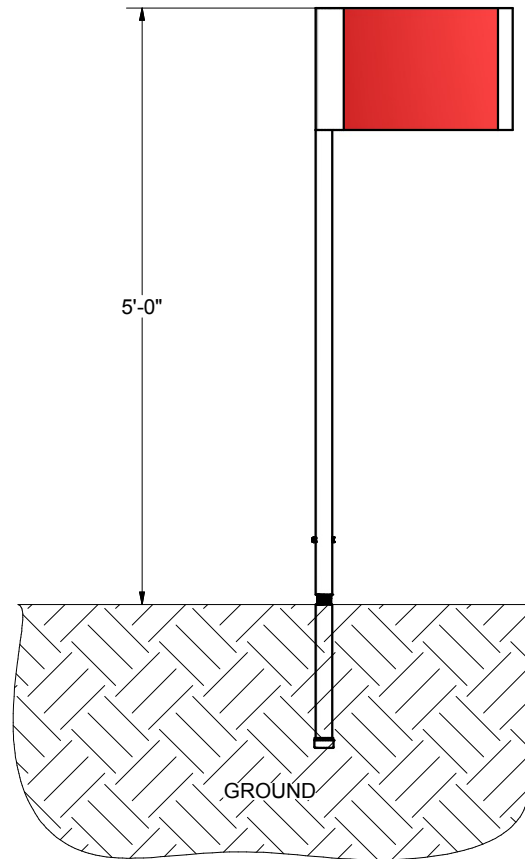


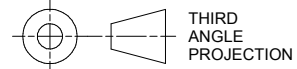
FRONT VIEW



FEATURES:

- 1) HIGH IMPACT PVC CONSTRUCTION
- 2) FINISH: WHITE
- 3) INCLUDED:
  - STEEL SPRINGS
  - GROUND ANCHORS
- 4) ASSEMBLED WEIGHT: 25 LBS. PER SET  
SINGLE FLAG POLE WEIGHT: 6 LBS.

**Finish Info.**



THIRD ANGLE PROJECTION

**KWIKGOAL**® 140 Pacific Drive  
Quakertown, Pa. 18951

DIMENSIONS ARE IN INCHES UNLESS OTHERWISE SPECIFIED

This item is the **exclusive** property of **KWIK GOAL LTD.** Reproduction or duplication **without** the express written consent of **KWIK GOAL LTD.** is **strictly forbidden.**

Approved By:

Date:

Drawn By: BRush

Date: 3/4/2008

Sheet: 1 of 4

Revision #:

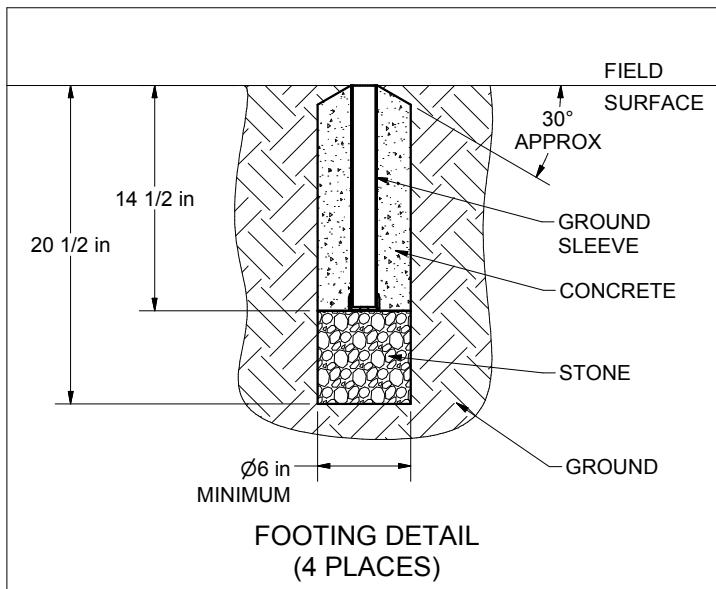
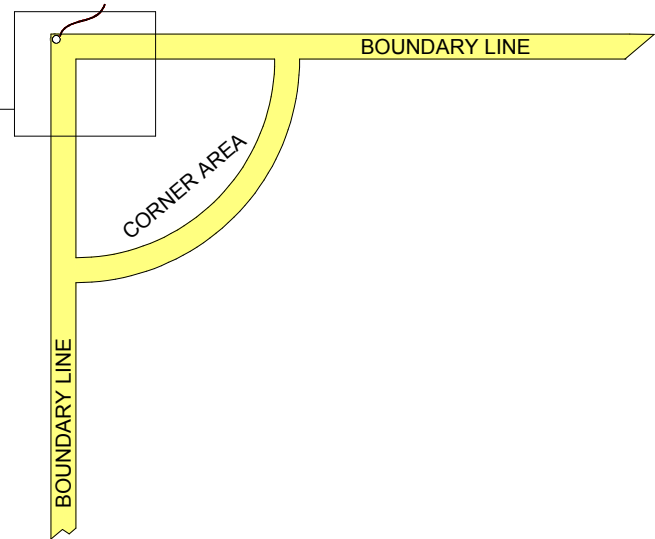
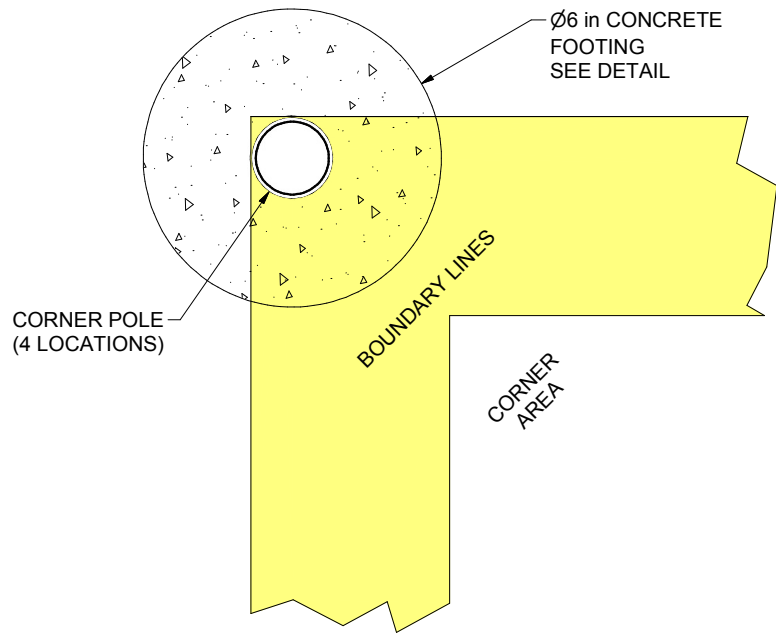
Cad File: 6B701.idw

Part #:

**6B701**

Desc:

INTERNATIONAL CORNER  
FLAGS



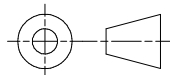

**NOTES:**

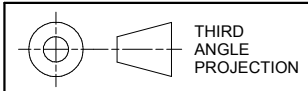
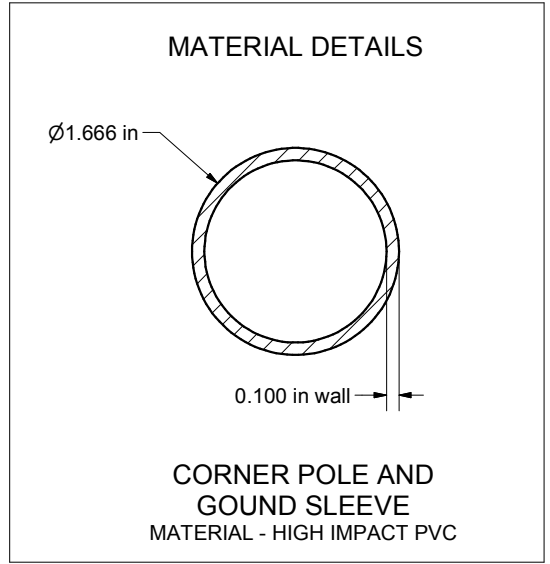
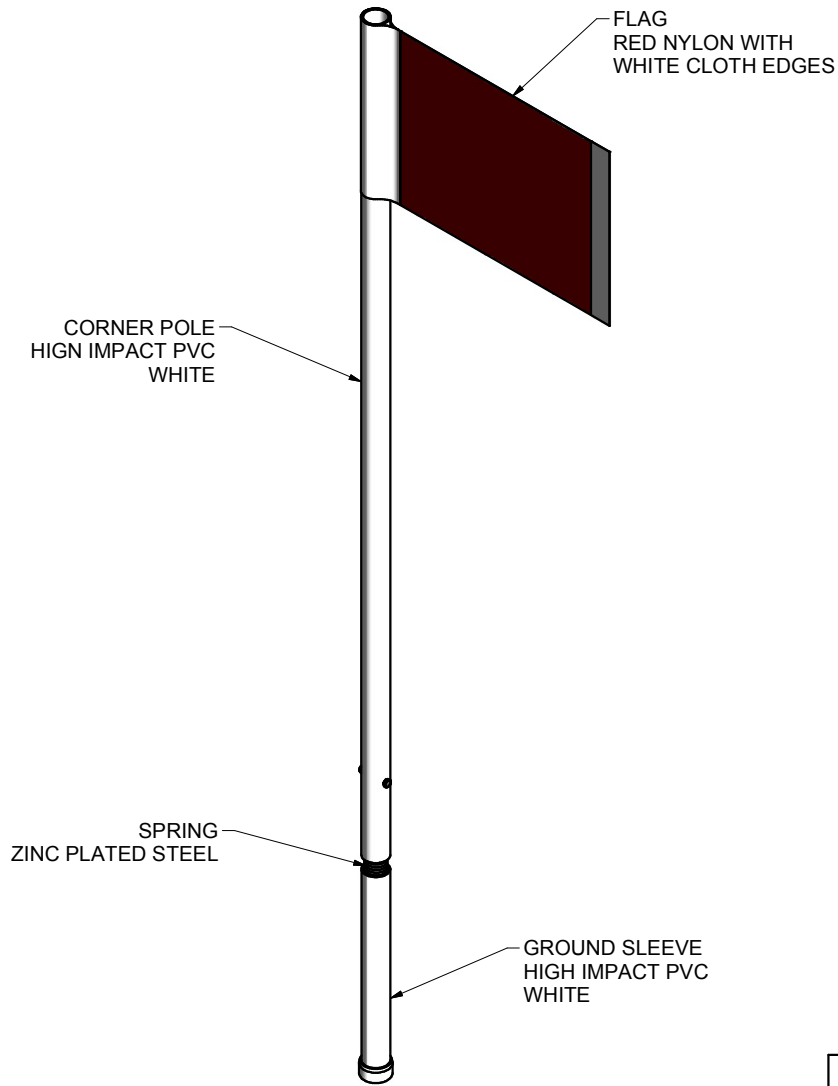
1) DIMENSIONS ARE FOR PLANNING PURPOSES. INSTALLATION MUST BE IN ACCORDANCE WITH INSTALLATION INSTRUCTIONS.

**MATERIAL REQUIRED, BUT NOT SUPPLIED**

- 0.03 cubic yard - CONCRETE
- 0.02 cubic yard - CLEAN STONE (1/4" - 3/4")
- ABOVE AMOUNTS ARE PER UNIT INSTALLATION

**Finish Info.**

 THIRD ANGLE PROJECTION	 140 Pacific Drive Quakertown, Pa. 18951	
	DIMENSIONS ARE IN INCHES UNLESS OTHERWISE SPECIFIED	Approved By:
This item is the <b>exclusive</b> property of <b>KWIK GOAL LTD.</b> Reproduction or duplication <b>without</b> the express written consent of <b>KWIK GOAL LTD.</b> is <b>strictly forbidden.</b>	Date:	<b>6B701</b>
	Drawn By: BRush	
	Date: 3/4/2008	Sheet: 2 of 4
	Revision #:	Cad File: 6B701.idw



**KWIKGOAL**® 140 Pacific Drive  
Quakertown,  
Pa. 18951

DIMENSIONS ARE IN INCHES  
UNLESS OTHERWISE SPECIFIED

Approved By:  
Date:

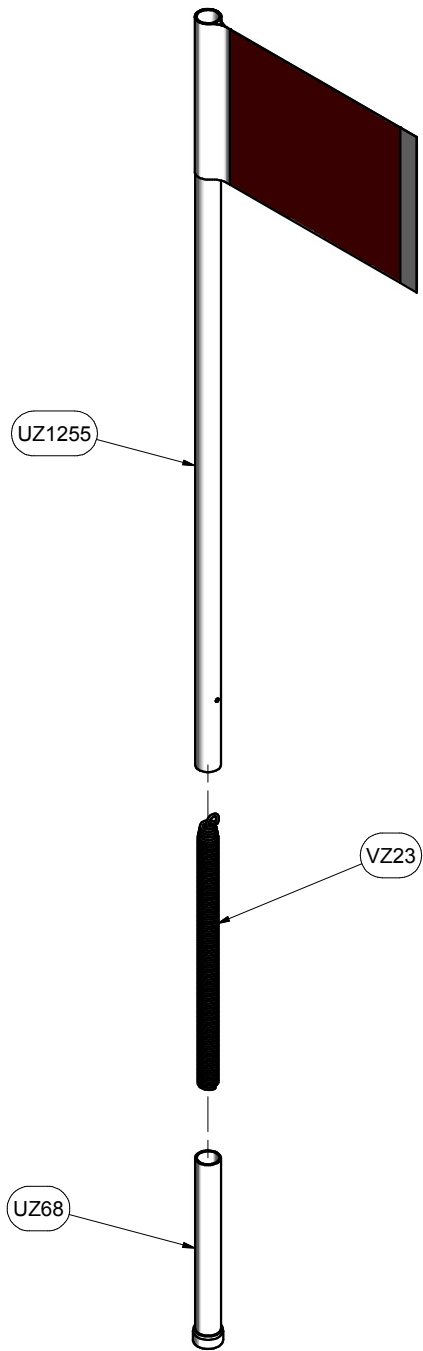
Part #:  
**6B701**

This item is the **exclusive**  
property of **KWIK GOAL LTD.**  
Reproduction or duplication  
**without** the express written  
consent of **KWIK GOAL LTD.**  
is **strictly forbidden.**

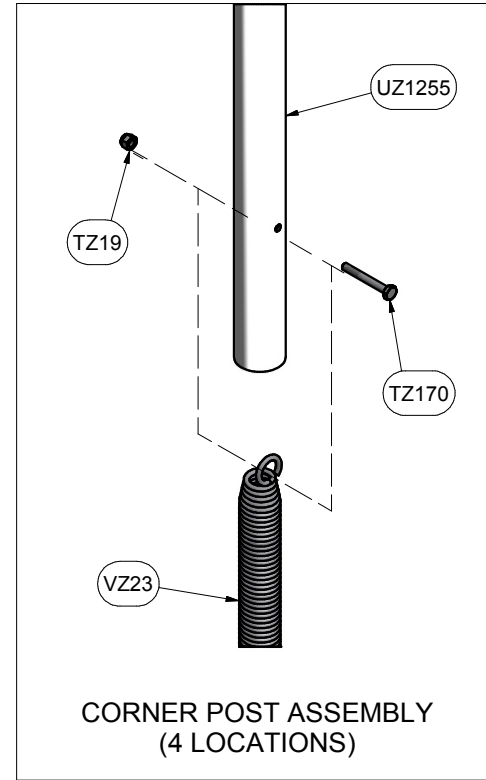
Drawn By: BRush  
Date: 3/4/2008  
Sheet: 3 of 4  
Revision #:  
Cad File: 6B701.idw

Desc:  
INTERNATIONAL CORNER  
FLAGS

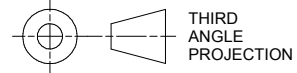
**Finish Info.**



Parts List		
Part #	Qty	Description
UZ68	4	GROUND SLEEVE FOR 6B701
VZ23	4	SPRING FOR LARGE 6B701 FLAG
UZ1255	4	POLE AND FLAG ASSEMBLY
TZ170	4	1/4-20 x 2 Hex Bolt
TZ19	4	1/4-20 Lock Nut



**Finish Info.**



DIMENSIONS ARE IN INCHES UNLESS OTHERWISE SPECIFIED

This item is the **exclusive** property of **KWIK GOAL LTD.** Reproduction or duplication **without** the express written consent of **KWIK GOAL LTD.** is **strictly forbidden.**



Approved By:  
Date:  
Drawn By: BRush  
Date: 3/4/2008  
Sheet: 4 of 4  
Revision #:  
Cad File: 6B701.idw

Part #:  
**6B701**  
Desc:  
INTERNATIONAL CORNER  
FLAGS