



**IMPORTANT SAFETY INSTRUCTIONS**  
**READ CAREFULLY**

1. Check for structural integrity and proper connecting hardware before every use. Replace damaged or missing parts or fasteners immediately.
2. Safety/Warning labels must be clearly visible.
3. Securely anchor moveable goals at ALL times.
4. Always instruct players, managers, coaches, trainers, teachers, maintenance workers and all other personnel who might come in contact with the goal, on the safe handling of and potential dangers associated with moveable goals.
5. Always exercise extreme caution when moving goals and provide adequate manpower to move goals of varied sizes and weights. Moveable goals should only be moved by authorized personnel.
6. NEVER allow anyone to climb on the net or goal framework.
7. Moveable goals should only be used on LEVEL fields, NEVER on a slope or hill area.
8. Remove nets when goals are not in use.
9. Most of the tip-over injuries occurred when goals were unattended. Anchor or chain one goal to another or to nearby fence posts, dugouts, or any other similar sturdy fixture when not in use. If this is not practical, store moveable goals in a place where children cannot have access to them.
10. Fully disassemble goals for seasonal storage.

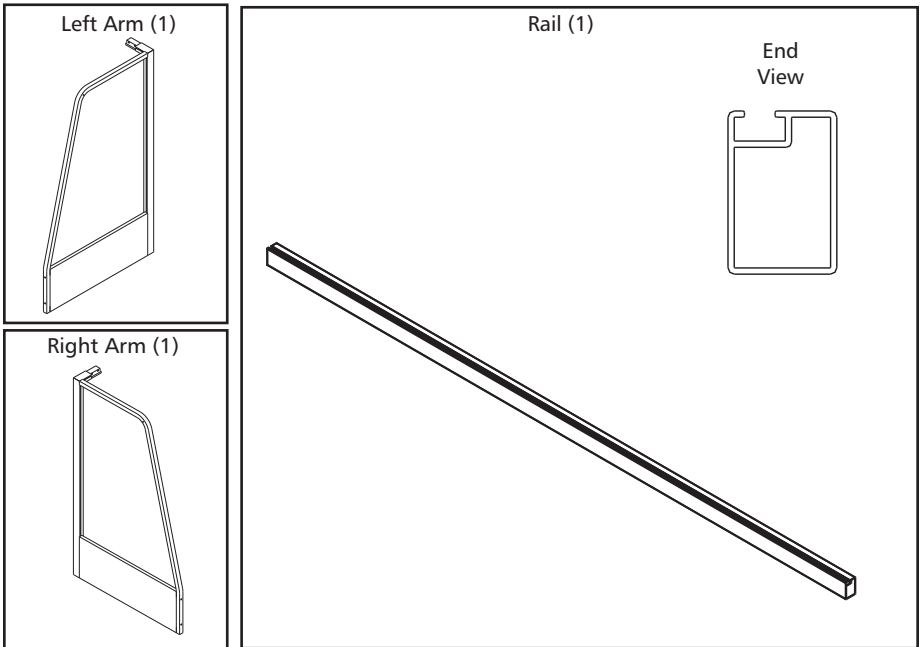


All Kwik Goal products carry a **Lifetime Guarantee**. For help with guarantee issues visit [www.kwikgoal.com](http://www.kwikgoal.com) and click on the **Lifetime Guarantee** logo or contact customer service at 1-800-531-4252.

### **ASSEMBLY INSTRUCTIONS FOR 2F501 OFFICIAL FIELD HOCKEY GOAL & 2F701 INDOOR FIELD HOCKEY GOAL**

1. Unpack all parts and check for damage that may have occurred during shipping. If damage has occurred, notify trucking company immediately. Lay out all parts. Remove all cardboard or packaging immediately. Wet or damp packaging may damage contents.
2. All hardware and ground anchors are shipped with the goals in a separate box.
3. A minimum of two qualified persons are required to assemble this goal.

#### **Parts**



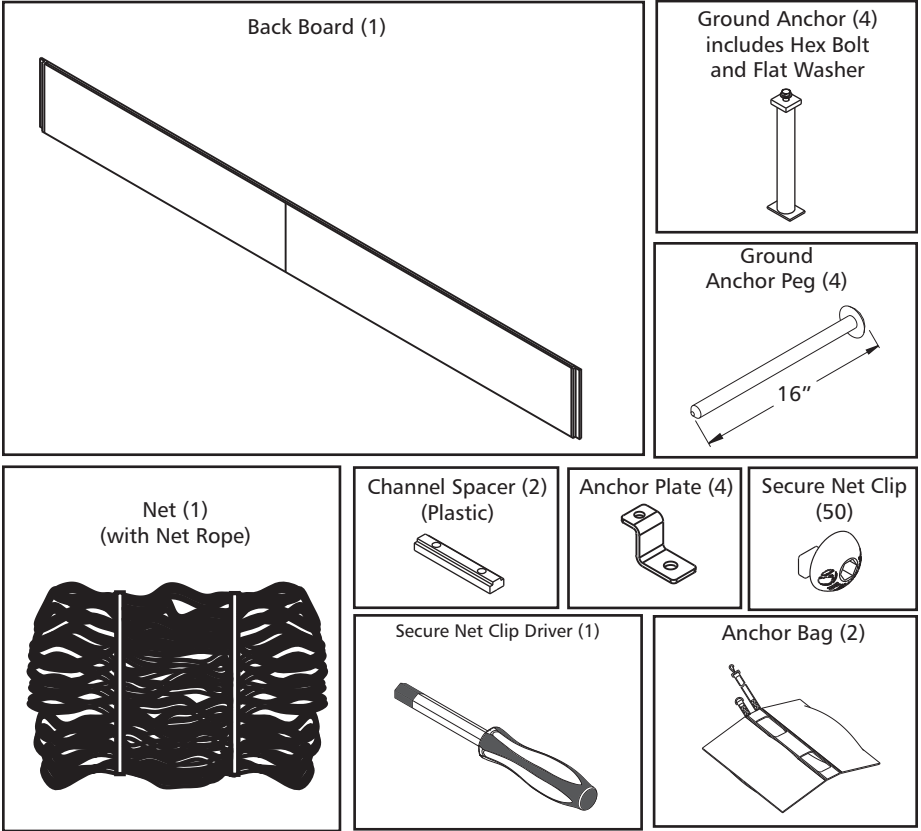
Parts continued on next page.

#### **\*\*\*CAUTION\*\*\***

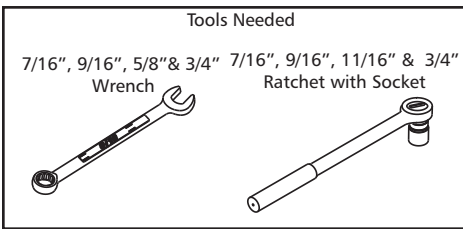
**This equipment has been designed to be used for the game of field hockey only. Field equipment must be anchored AT ALL TIMES and shall be secured against tilting. Do not climb on the net or equipment framework at anytime! All fastenings must be checked to insure they are fully tightened before and after each use of this product. Equipment not in use must be disassembled and properly stored in a safe, secure area. Assembled field equipment should not be left unattended. Remove nets when equipment is not in use. Do not use this equipment during the threat of high winds. Field equipment must be checked for safety before and after each use. All warning and safety labels included with this product must be visible at all times. Any modifications to this or any Kwik Goal product will void any and all warranties.**

140 Pacific Drive Quakertown, PA 18951  
(P) 215-536-2200 / (P) 800-531-4252 / (F) 215-536-4309 / (F) 800-778-8869  
Visit our website @ [www.kwikgoal.com](http://www.kwikgoal.com)  
© 2000, Rev 2008 Kwik Goal Ltd.

Parts Continued



**Hardware**

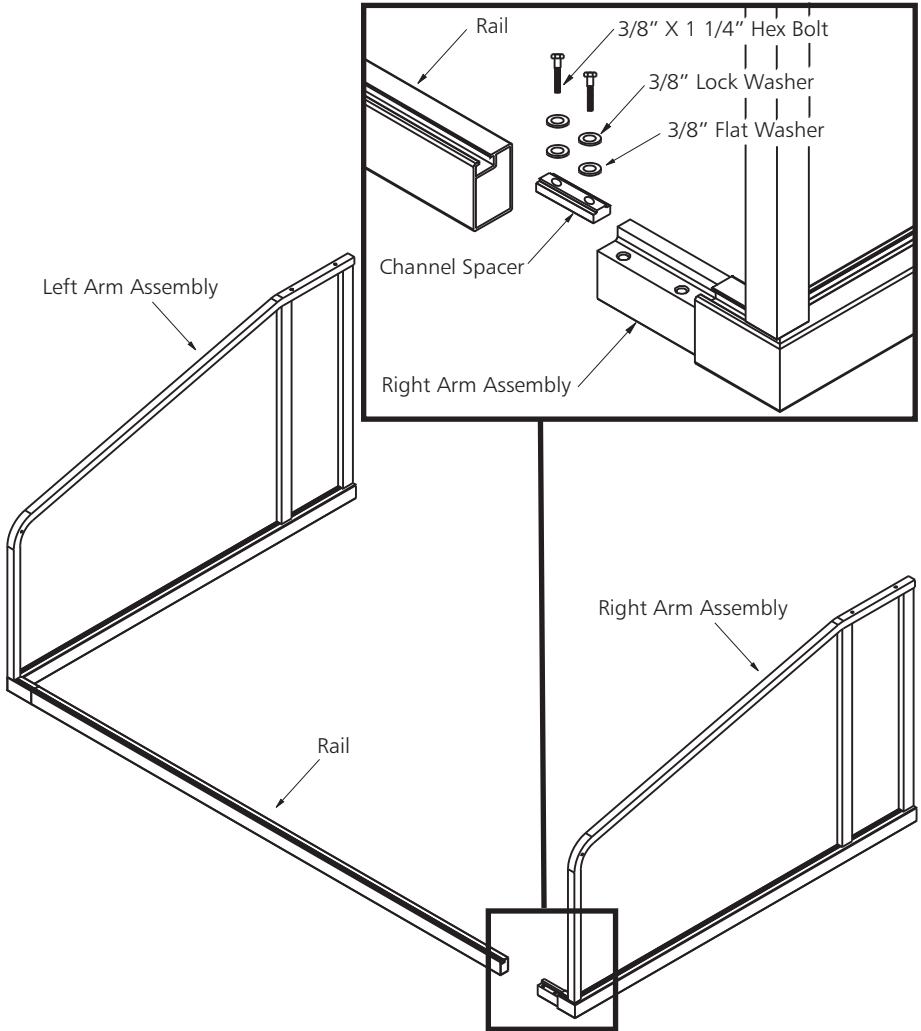


- 1/4" X 2" Eye Bolt (2)
- 1/4" Lock Nut (2)
- 1/4" Flat Washer (2)
- 3/8" X 1 1/4" Hex Bolt (4)
- 3/8" X 2 1/2" Hex Bolt (4)
- 3/8" Lock Nut (4)
- 3/8" Flat Washer (12)
- 3/8" Lock Washer (4)
- 7/16" X 3 1/2" Carriage Bolt (4)
- 7/16" Hex Nut (4)
- 7/16" Lock Washer (4)
- 7/16" Flat Washer (4)

**\*\*\*CAUTION\*\*\***

This equipment has been designed to be used for the game of field hockey only. Field equipment must be anchored AT ALL TIMES and shall be secured against tilting. Do not climb on the net or equipment framework at anytime! All fastenings must be checked to insure they are fully tightened before and after each use of this product. Equipment not in use must be disassembled and properly stored in a safe, secure area. Assembled field equipment should not be left unattended. Remove nets when equipment is not in use. Do not use this equipment during the threat of high winds. Field equipment must be checked for safety before and after each use. All warning and safety labels included with this product must be visible at all times. Any modifications to this or any Kwik Goal product will void any and all warranties.

4. Lay out right arm assembly and left arm assembly face down on turf as shown. Insert channel spacers into channel on each side of rail. Insert sleeve of left and right arm assemblies into rail. Line up all holes. Connect rail with hex bolts as shown. Press joints together firmly before tightening bolts. **CAUTION: DO NOT OVER TIGHTEN BOLTS.**

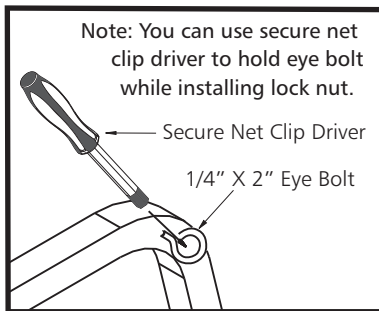
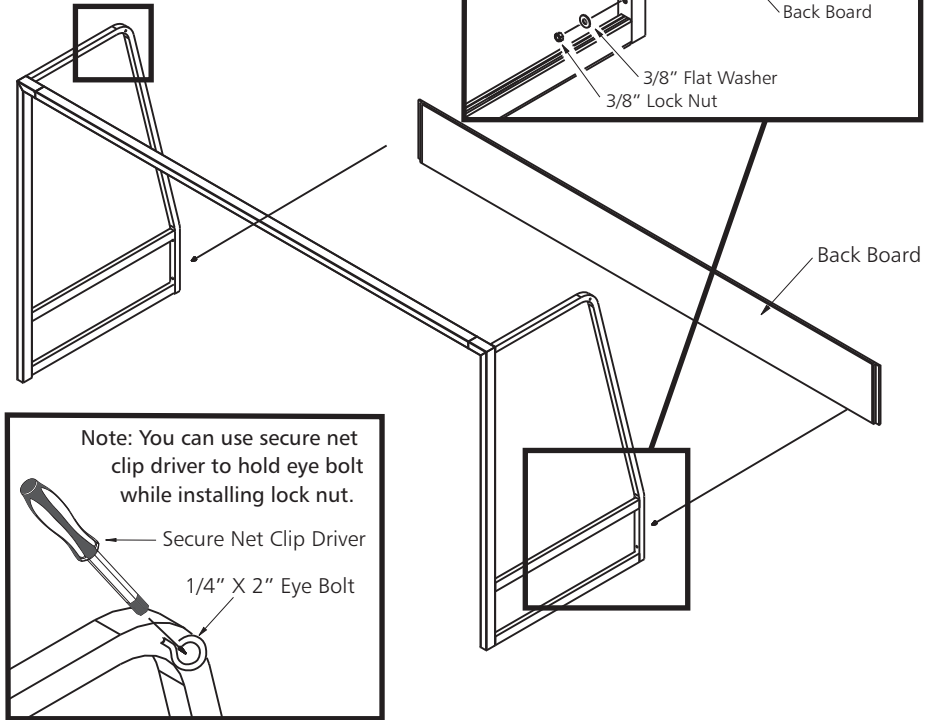
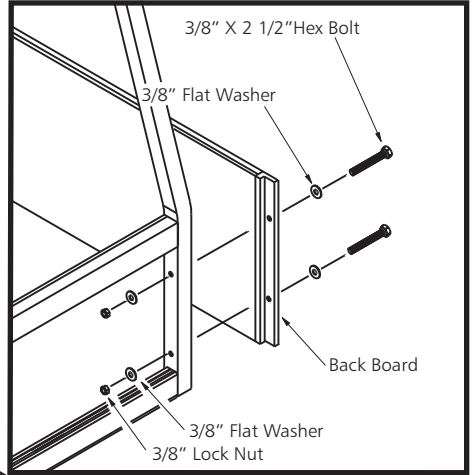
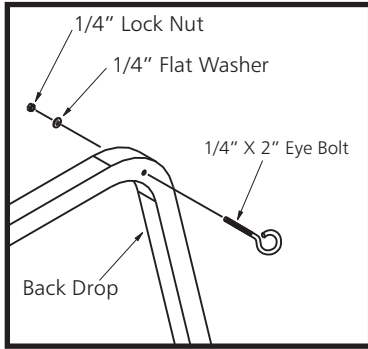


**\*\*\*CAUTION\*\*\***

This equipment has been designed to be used for the game of field hockey only. Field equipment must be anchored AT ALL TIMES and shall be secured against tilting. Do not climb on the net or equipment framework at anytime! All fastenings must be checked to insure they are fully tightened before and after each use of this product. Equipment not in use must be disassembled and properly stored in a safe, secure area. Assembled field equipment should not be left unattended. Remove nets when equipment is not in use. Do not use this equipment during the threat of high winds. Field equipment must be checked for safety before and after each use. All warning and safety labels included with this product must be visible at all times. Any modifications to this or any Kwik Goal product will void any and all warranties.

5. Attach back board and fasten eye bolt to back drop on left and right arm assemblies as shown.

**IMPORTANT: FIELD HOCKEY BOARDS HAVE BEEN DESIGNED FOR GAME USE ONLY. CLOSE-RANGE SCORING PRACTICE WILL CAUSE PERMANENT DAMAGE TO BOARDS.**

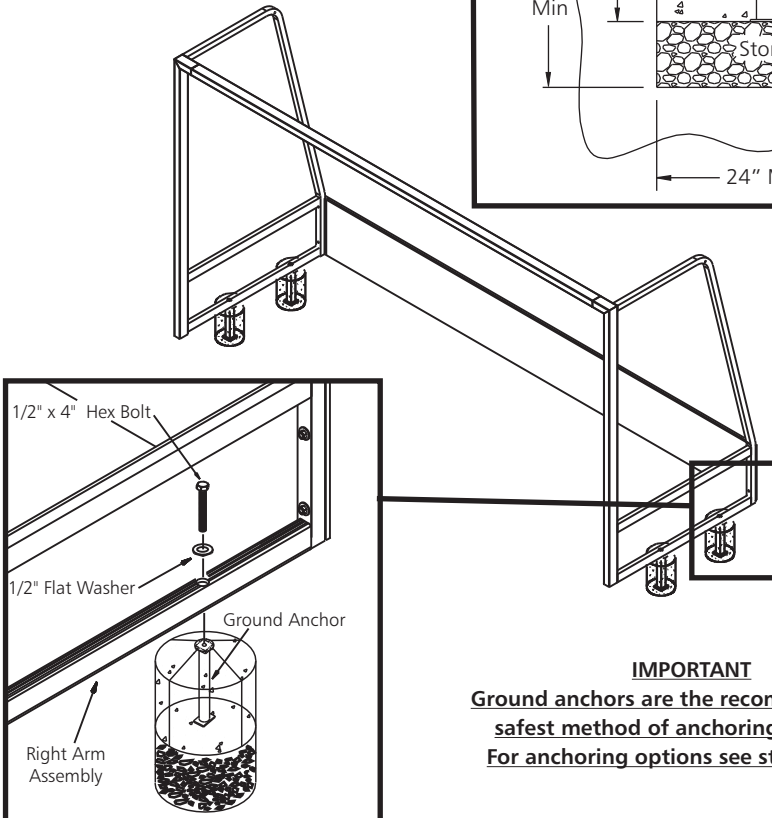
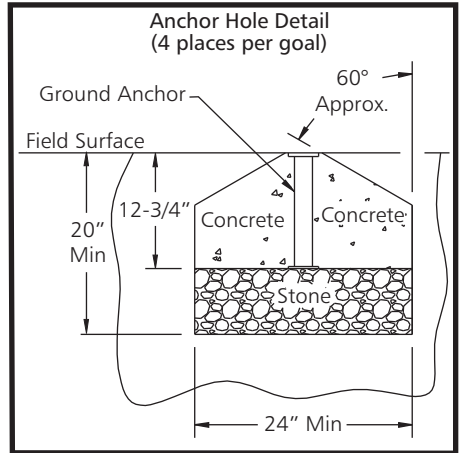


**\*\*\*CAUTION\*\*\***

This equipment has been designed to be used for the game of field hockey only. Field equipment must be anchored AT ALL TIMES and shall be secured against tilting. Do not climb on the net or equipment framework at anytime! All fastenings must be checked to insure they are fully tightened before and after each use of this product. Equipment not in use must be disassembled and properly stored in a safe, secure area. Assembled field equipment should not be left unattended. Remove nets when equipment is not in use. Do not use this equipment during the threat of high winds. Field equipment must be checked for safety before and after each use. All warning and safety labels included with this product must be visible at all times. Any modifications to this or any Kwik Goal product will void any and all warranties.

- For ground anchor use, mark ground anchor hole location, move goal and dig holes a minimum of 24" in diameter and 20" deep as shown. Areas subject to heavy ground frost may go as deep as 36". Attach ground anchors to assembled goal and secure with coated bolts. Set goal in desired installation location with anchors in holes. Fill area surrounding the anchor with concrete. Fill area surrounding the anchor with concrete.

NOTE: When removing goal from field location, be sure to disassemble and store in a safe place to prevent injury. (If ground anchors are used, insert red ground anchor caps into exposed ground anchor holes to prevent damage to threads.)



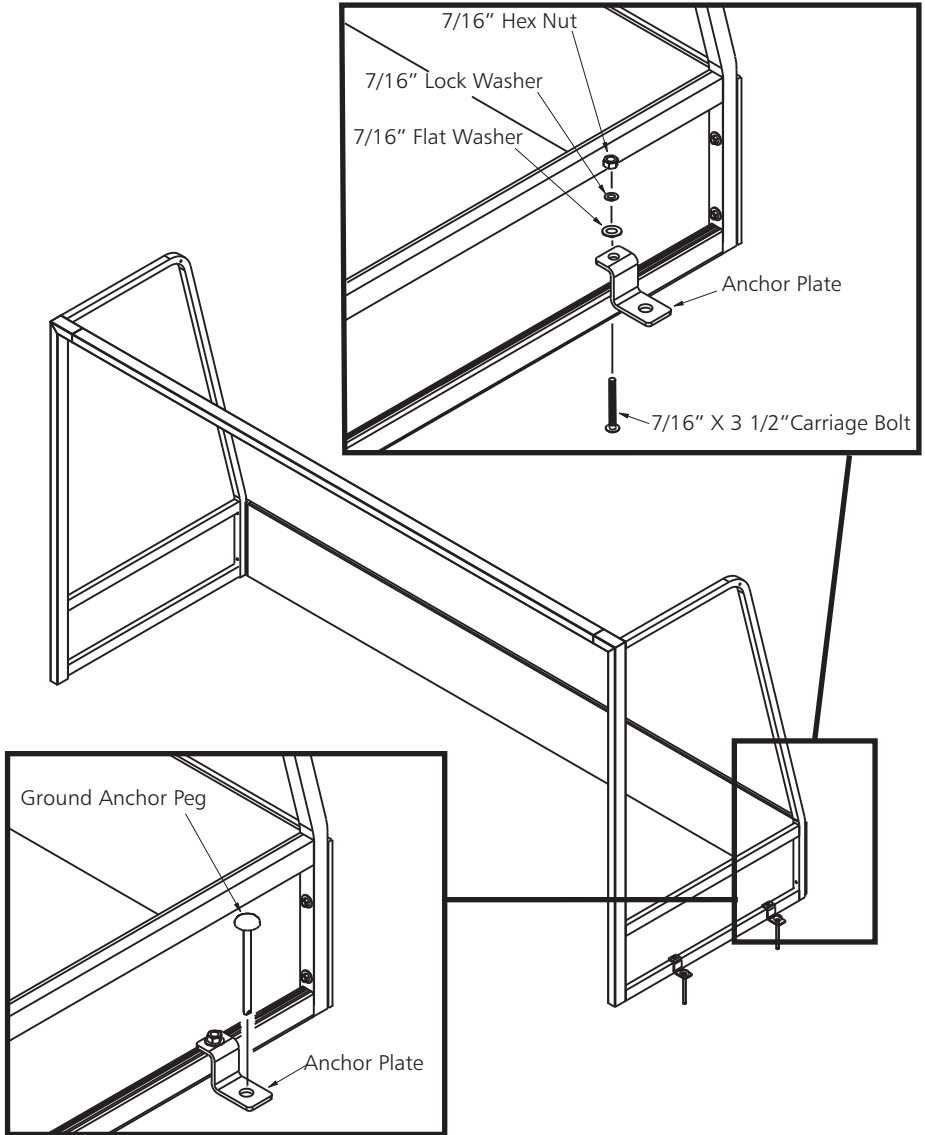
### IMPORTANT

Ground anchors are the recommended and safest method of anchoring your goal.  
For anchoring options see steps 7 or 10.

### \*\*\*CAUTION\*\*\*

This equipment has been designed to be used for the game of field hockey only. Field equipment must be anchored AT ALL TIMES and shall be secured against tilting. Do not climb on the net or equipment framework at anytime! All fastenings must be checked to insure they are fully tightened before and after each use of this product. Equipment not in use must be disassembled and properly stored in a safe, secure area. Assembled field equipment should not be left unattended. Remove nets when equipment is not in use. Do not use this equipment during the threat of high winds. Field equipment must be checked for safety before and after each use. All warning and safety labels included with this product must be visible at all times. Any modifications to this or any Kwik Goal product will void any and all warranties.

7. For ground anchor peg use only, attach anchor plate.

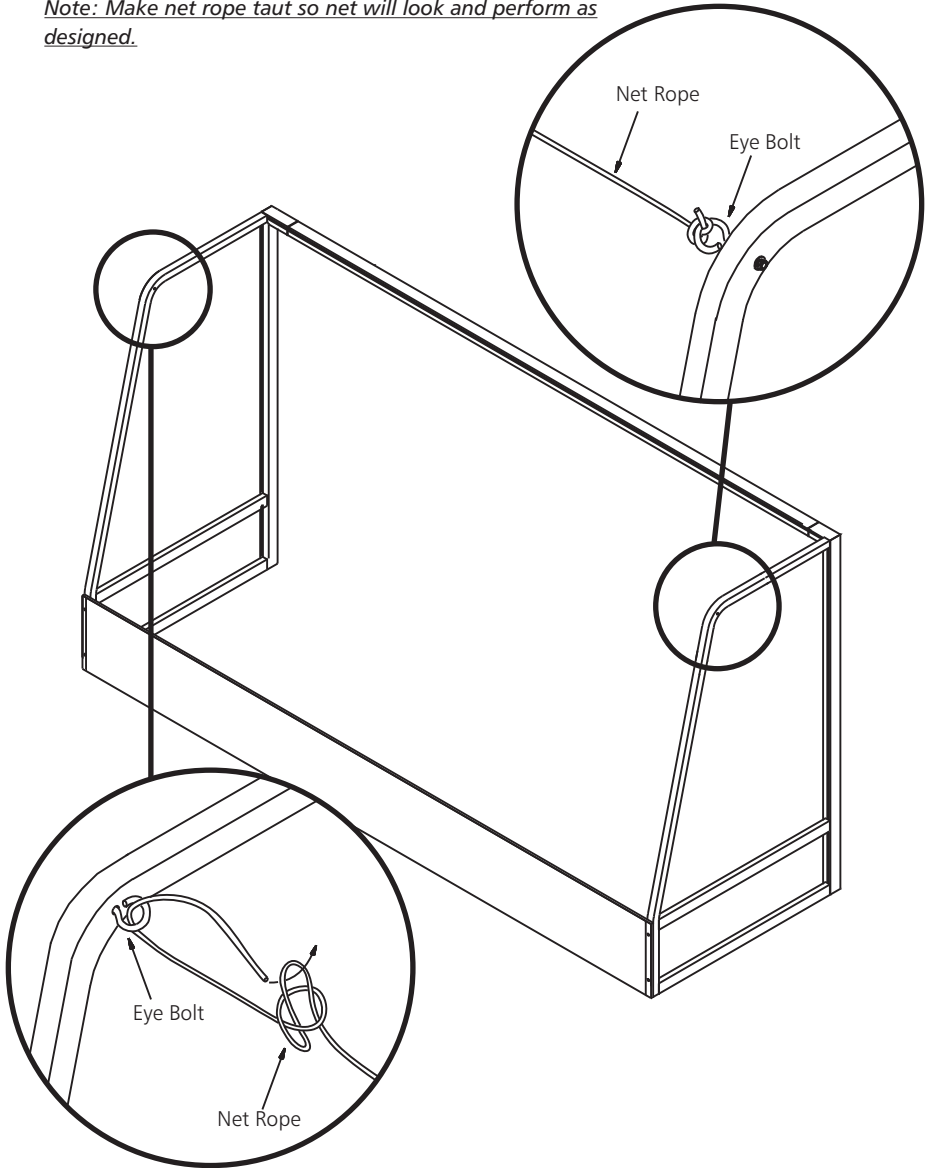


**\*\*\*CAUTION\*\*\***

This equipment has been designed to be used for the game of field hockey only. Field equipment must be anchored AT ALL TIMES and shall be secured against tilting. Do not climb on the net or equipment framework at anytime! All fastenings must be checked to insure they are fully tightened before and after each use of this product. Equipment not in use must be disassembled and properly stored in a safe, secure area. Assembled field equipment should not be left unattended. Remove nets when equipment is not in use. Do not use this equipment during the threat of high winds. Field equipment must be checked for safety before and after each use. All warning and safety labels included with this product must be visible at all times. Any modifications to this or any Kwik Goal product will void any and all warranties.

8. Remove net rope from net and attach to the top back of goal as shown.

*Note: Make net rope taut so net will look and perform as designed.*

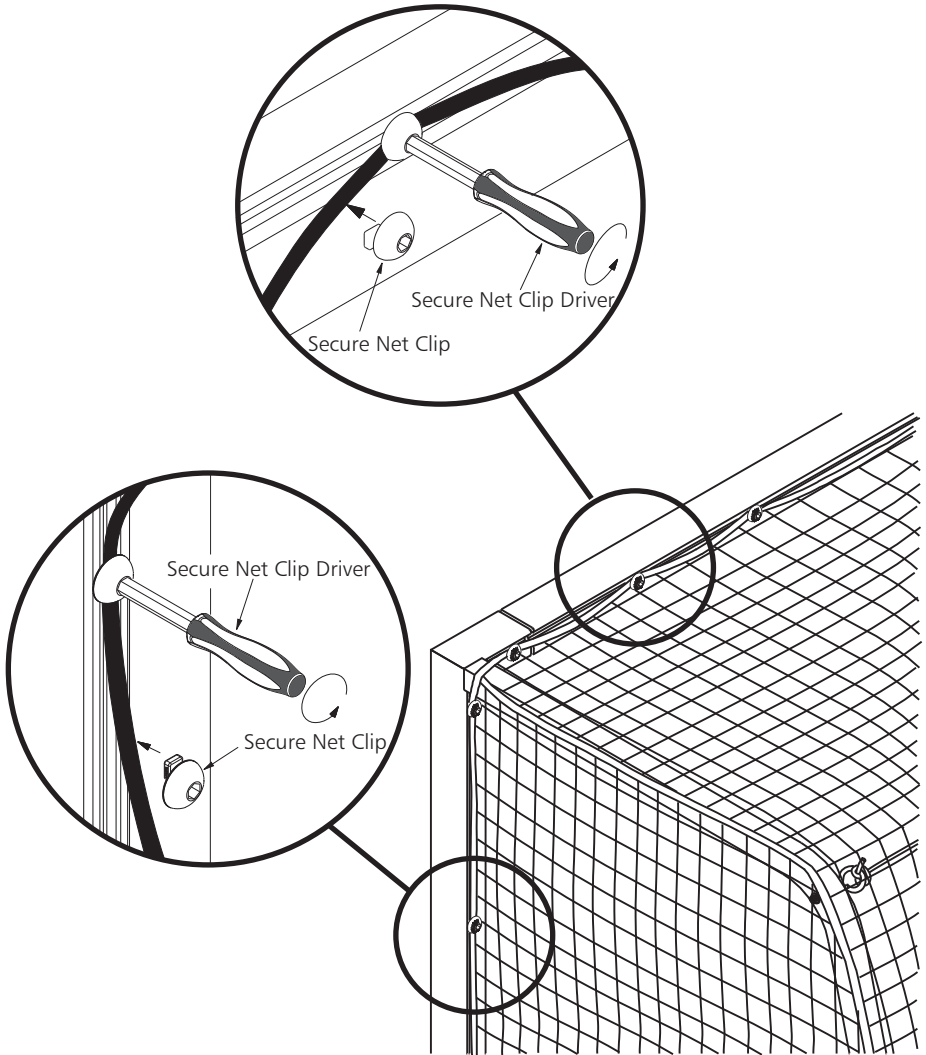


**\*\*\*CAUTION\*\*\***

This equipment has been designed to be used for the game of field hockey only. Field equipment must be anchored AT ALL TIMES and shall be secured against tilting. Do not climb on the net or equipment framework at anytime! All fastenings must be checked to insure they are fully tightened before and after each use of this product. Equipment not in use must be disassembled and properly stored in a safe, secure area. Assembled field equipment should not be left unattended. Remove nets when equipment is not in use. Do not use this equipment during the threat of high winds. Field equipment must be checked for safety before and after each use. All warning and safety labels included with this product must be visible at all times. Any modifications to this or any Kwik Goal product will void any and all warranties.

9. Put net over goal frame and attach with secure net clips using net clip driver as shown. Place base of secure net clip into channel and turn 90 degrees to lock into place.

**CAUTION: DO NOT ATTEMPT TO CLIMB ON GOAL WHILE ATTACHING NET.**

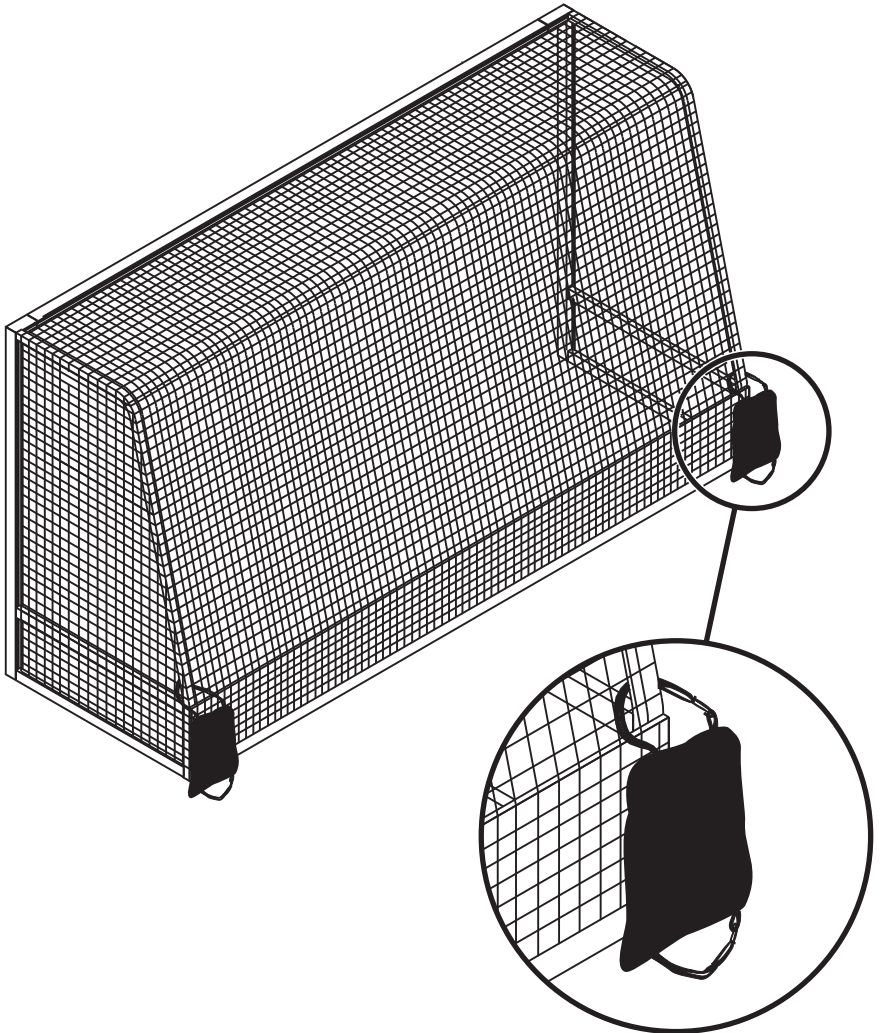


**\*\*\*CAUTION\*\*\***

This equipment has been designed to be used for the game of field hockey only. Field equipment must be anchored AT ALL TIMES and shall be secured against tilting. Do not climb on the net or equipment framework at anytime! All fastenings must be checked to insure they are fully tightened before and after each use of this product. Equipment not in use must be disassembled and properly stored in a safe, secure area. Assembled field equipment should not be left unattended. Remove nets when equipment is not in use. Do not use this equipment during the threat of high winds. Field equipment must be checked for safety before and after each use. All warning and safety labels included with this product must be visible at all times. Any modifications to this or any Kwik Goal product will void any and all warranties.

10. Counterbalance weight may be used as a temporary anchoring system. To ensure counterbalance weight remains on the base of your goal you must attach counterbalance weight as shown in figure below.

*NOTE: See steps 8 & 9 to attach net before using counterbalance weight.*



**\*\*\*CAUTION\*\*\***

This equipment has been designed to be used for the game of field hockey only. Field equipment must be anchored **AT ALL TIMES** and shall be secured against tilting. Do not climb on the net or equipment framework at anytime! All fastenings must be checked to insure they are fully tightened before and after each use of this product. Equipment not in use must be disassembled and properly stored in a safe, secure area. Assembled field equipment should not be left unattended. Remove nets when equipment is not in use. Do not use this equipment during the threat of high winds. Field equipment must be checked for safety before and after each use. All warning and safety labels included with this product must be visible at all times. Any modifications to this or any Kwik Goal product will void any and all warranties.