



**IMPORTANT SAFETY INSTRUCTIONS**  
**READ CAREFULLY**

1. Check for structural integrity and proper connecting hardware before every use. Replace damaged or missing parts or fasteners immediately.
2. Safety/Warning labels must be clearly visible.
3. Securely anchor moveable soccer goals at ALL times.
4. Always instruct players, managers, coaches, trainers, teachers, maintenance workers and all other personnel who might come in contact with the goal, on the safe handling of and potential dangers associated with moveable soccer goals.
5. Always exercise extreme caution when moving goals and provide adequate manpower to move goals of varied sizes and weights. Moveable soccer goals should only be moved by authorized personnel.
6. NEVER allow anyone to climb on the net or goal framework.
7. Moveable soccer goals should only be used on LEVEL fields, NEVER on a slope or hill area.
8. Remove nets when goals are not in use.
9. Most of the tip-over injuries occurred when goals were unattended. Anchor or chain one goal to another or to nearby fence posts, dugouts, or any other similar sturdy fixture when not in use. If this is not practical, store moveable soccer goals in a place where children cannot have access to them.
10. Fully disassemble goals for seasonal storage.



All Kwik Goal products carry a **Lifetime Guarantee**. For help with guarantee issues visit [kwikgoal.com](http://kwikgoal.com) and click on the **Lifetime Guarantee** logo or contact customer service at 1-800-531-4252.

## **ASSEMBLY INSTRUCTIONS FOR 2D301 COMBINATION FOOTBALL/SOCCER GOAL**

1. Unpack all parts and check for damage that may have occurred during shipping. If damage has occurred, notify trucking company immediately. Wet or damp packaging may damage contents.
2. All hardware is in one or more separate box(es) shipped with goals.
3. Lay out left post (A), right post (B), and rail (C) face down on turf. See figure 1.
4. Insert square nuts and channel spacers (D) into channel on each end of rail (C). Insert sleeve of left post (A) and right post (B) into rail (C). Line up all holes. Connect rail with 3/8" hex bolts. See figure 1. **NOTE:** Be sure to coat threads on all bolts with anti-seize compound before fastening. **CAUTION: DO NOT OVER-TIGHTEN BOLTS.**
5. Insert two square nuts and one T Spacer (L) into left post (A) and right post (B). Slide square nuts to top of front posts and lock T Spacer (L) in place with 1/4" set screw. See figure 2.
6. Attach backstays (G) and backstay braces (J) using 3/8" hex bolts. Attach 5/16" eyebolts to backstays (G). See figure 3.
7. Slide ground sleeves (E) onto posts (A) and (B). Dig two holes 41 1/4" (1.05 m) deep and at least 24" (61 cm) across at front post location. See figures 3, 4 and 5.
8. Fill bottom of holes with 1" diameter stone until the hole is 29 1/4" (74.3 cm) in depth. This will allow water and small debris to flow through the hole located in the bottom of the ground sleeve (E) after installation. See figure 5.
9. Set assembled goal posts with ground sleeve (E) into holes. Ground sleeves must set 5" (12.7 cm) below field surface, See figure 5. Plumb and level goal, making sure the bottom of top rail (C) is 8 feet (2.44 m) from the field surface. See figure 6. Face of the goal post should not enter into playing field. See figure 4.
10. Seal space between posts (A) and (B), and ground sleeve (E) with tape, or small bead of sealer. This will stop debris from entering ground sleeve (E) during construction.
11. Fill holes with concrete flush with the top of ground sleeve (E). See figure 5.
12. After concrete has fully cured, see figure 12 for test procedures to assure the goal has been anchored properly.
13. Clear away all soil and debris from top of ground sleeves before removing goal. Be sure to put ground sleeve caps in all ground sleeve openings. Be sure to disassemble and store goal in a safe place to prevent injury. **See GUIDELINES FOR MOVEABLE SOCCER GOALS, included, for proper storage procedures.**
14. Attach uprights (H) to rail (C) using 7/16" hex bolts and 7/16" lock nuts. Tighten hardware. See figure 7.
15. Use a level to check plumb of upright posts. See figure 8. If plumb of uprights is acceptable, skip steps 16 through 19 and proceed with step 20.

**CAUTION: GOALS MUST BE PROPERLY ANCHORED OR STORED AT ALL TIMES.**

16. Loosen, but do not remove all four rail bolts and two backstay brace bolts. Adjust plumb of uprights. See figure 9.
17. While keeping uprights plumb, drill a 3/16" hole through back of rail and corner sleeve. Install spring pin into hole, leaving 1/8" - 1/4" of pin protruding out. See figure 9.
18. Drill a second hole in the front of the rail and install a second spring pin, leaving 1/8" - 1/4" of pin protruding out. See figure 10.
19. Repeat steps 17 and 18 on opposite end of rail. Tighten all four rail bolts and two backstay brace bolts.
20. Attach net strap to the eyebolts in the backstays as shown. Pull net strap tight as shown in figure 11. **(NOTE: Do not over tighten net strap. Over tightening may damage goal.)** Excess strap can be trimmed to length. Leave 12" to 18" of excess strap for ease of removal and re-installation. *(Note: To keep end of adjustable strap from fraying, ends can be melted after being cut.)* Tie all excess strap to itself to prevent from hanging in goal area.
21. To attach the net to goal, place base of net clip (I) into channel and turn 90 degrees to lock into place. See figure 12.  
**CAUTION: DO NOT ATTEMPT TO CLIMB ON GOAL WHILE ATTACHING NET. See figure 12 for additional net installation tips.**

**\*\*\*CAUTION\*\*\***

**This goal has been designed to be used for the game of football or soccer. Goal posts must be anchored AT ALL TIMES and shall be secured against tilting. Do not climb on the net or goal framework at anytime! All fastenings must be checked to insure they are fully tightened before and after each use of this product. Goal posts not in use must be disassembled and properly stored in a safe, secure area. (See Guidelines for Movable Soccer Goal Safety, included.) Assembled goal posts should not be left unattended. Remove nets when goals are not in use. Do not use this equipment during the threat of high winds. Goal posts should be checked for safety before and after each use. All warnings and safety labels included with this product must be visible at all times. Any modifications to this or any Kwik Goal product will void any and all warranties.**

**Parts List for One Goal**

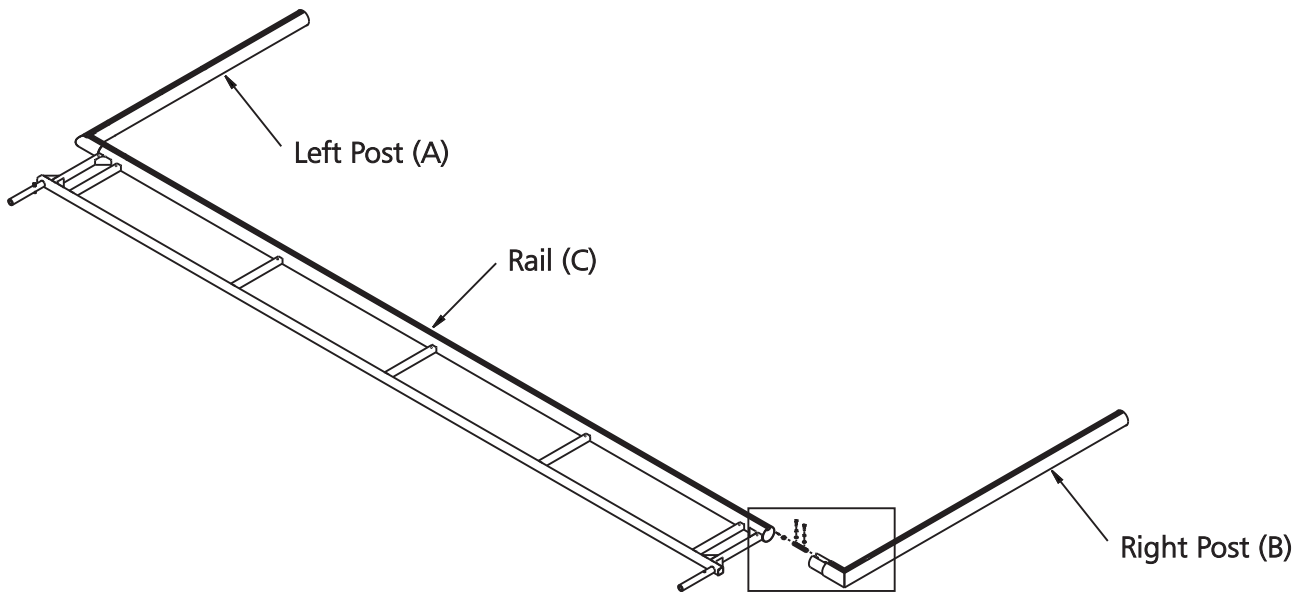
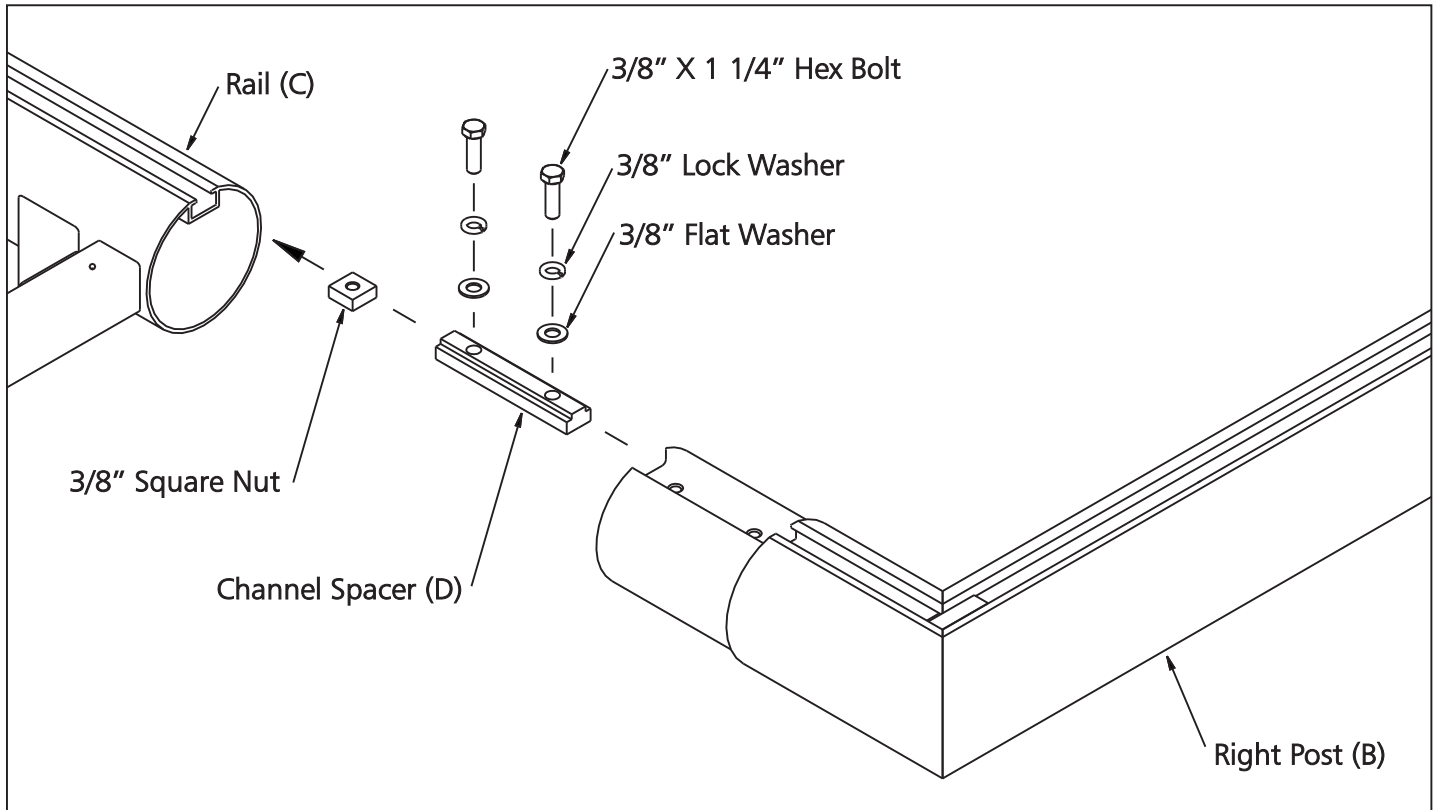
A.	Left Post	(1)
B.	Right Post	(1)
C.	Rail	(1)
D.	Channel Spacer	(2)
E.	Ground Sleeve for Posts (A) and (B)	(2)
F.	Large Ground Sleeve Cap	
G.	Backstay	(2)
H.	Upright	(2)
I.	Net Clips	
J.	Backstay Brace	(2)
K.	Anti-Seize	(1)
L.	T Spacer	(2)
M.	Net	(1)
N.	Net Strap	(1)

**Hardware**

Note: Hardware may be packaged separately in one or more boxes. Open all packages before beginning assembly.

3/16" X 1" Spring Pin	(4)
1/4" X 1/2" Set Screw	(2)
5/16" Eyebolt	(2)
5/16" Flat Washer	(2)
5/16" Lock Nut	(2)
3/8" X 7/8" Hex Bolt	(6)
3/8" X 1 1/4" Hex Bolt	(4)
3/8" Hex Bolt	(4)
3/8" Flat Washer	(14)
3/8" Lock Washer	(10)
3/8" Lock Nut	(4)
3/8" Square Nut	(6)
7/16" X 2 1/2" Hex Bolt	(2)
7/16" Lock Nut	(2)

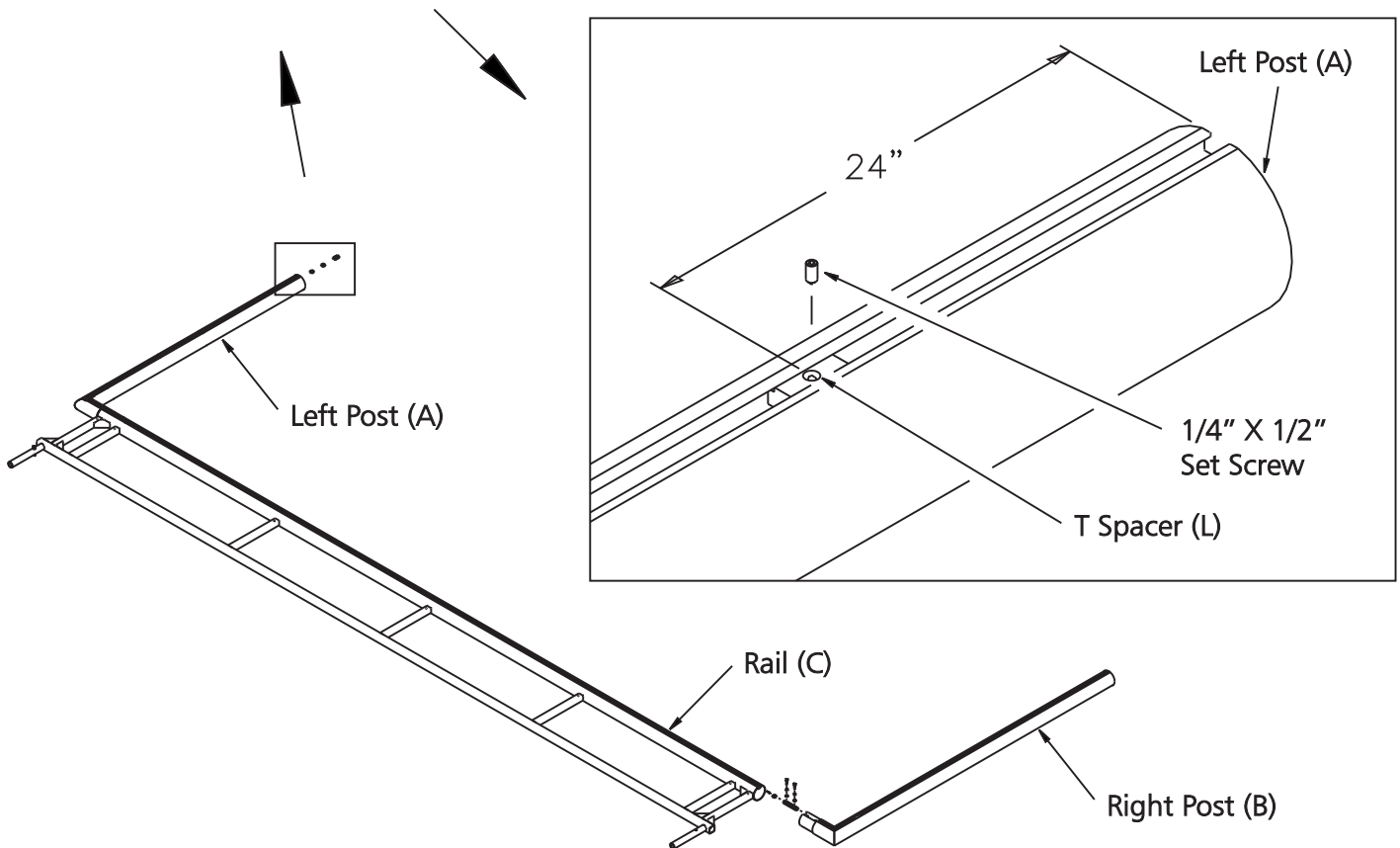
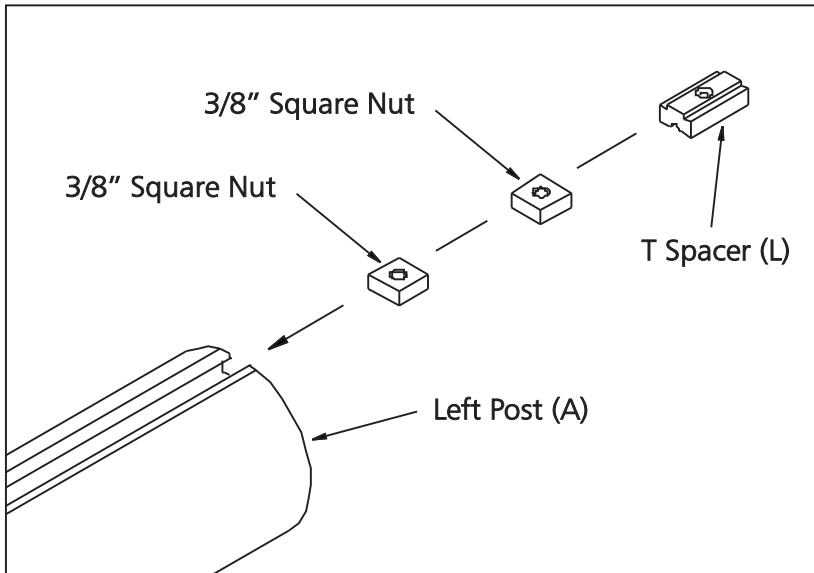
Fig. 1



**\*\*\*CAUTION\*\*\***

This goal has been designed to be used for the game of football or soccer. Goal posts must be anchored **AT ALL TIMES** and shall be secured against tilting. Do not climb on the net or goal framework at anytime! All fastenings must be checked to insure they are fully tightened before and after each use of this product. Goal posts not in use must be disassembled and properly stored in a safe, secure area. (See Guidelines for Movable Soccer Goal Safety, included.) Assembled goal posts should not be left unattended. Remove nets when goals are not in use. Do not use this equipment during the threat of high winds. Goal posts should be checked for safety before and after each use. All warnings and safety labels included with this product must be visible at all times. Any modifications to this or any Kwik Goal product will void any and all warranties.

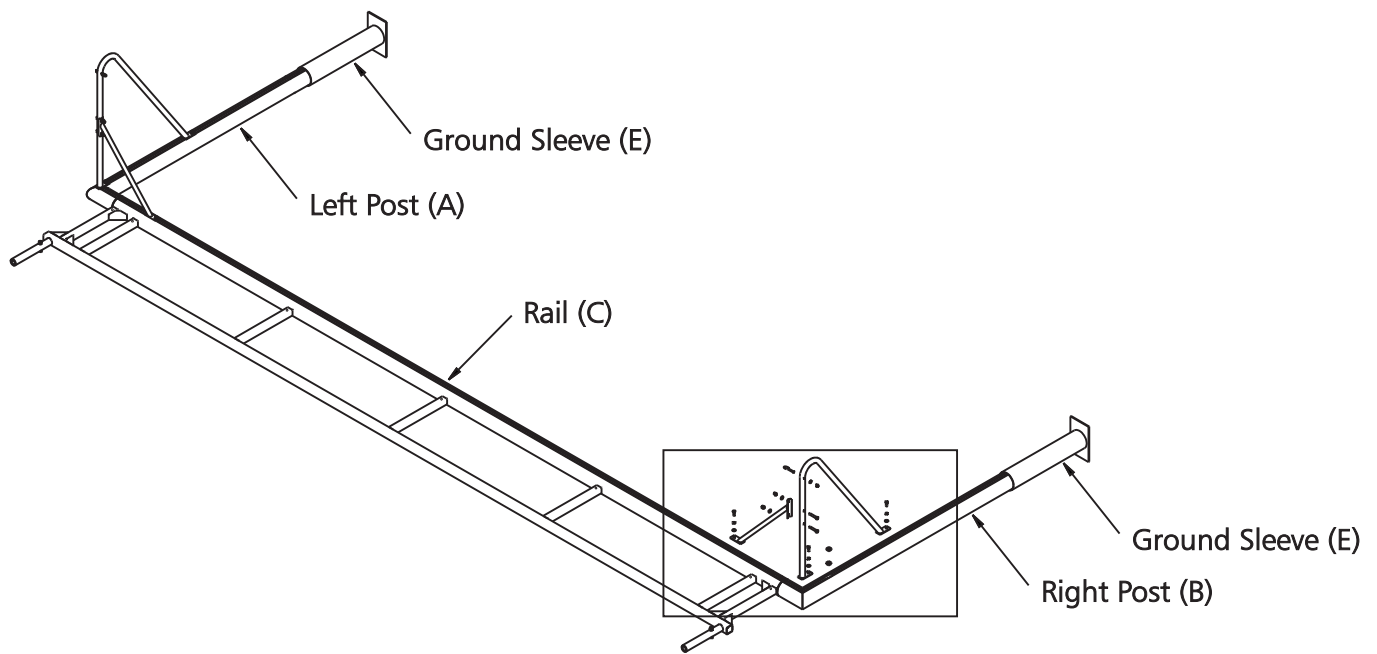
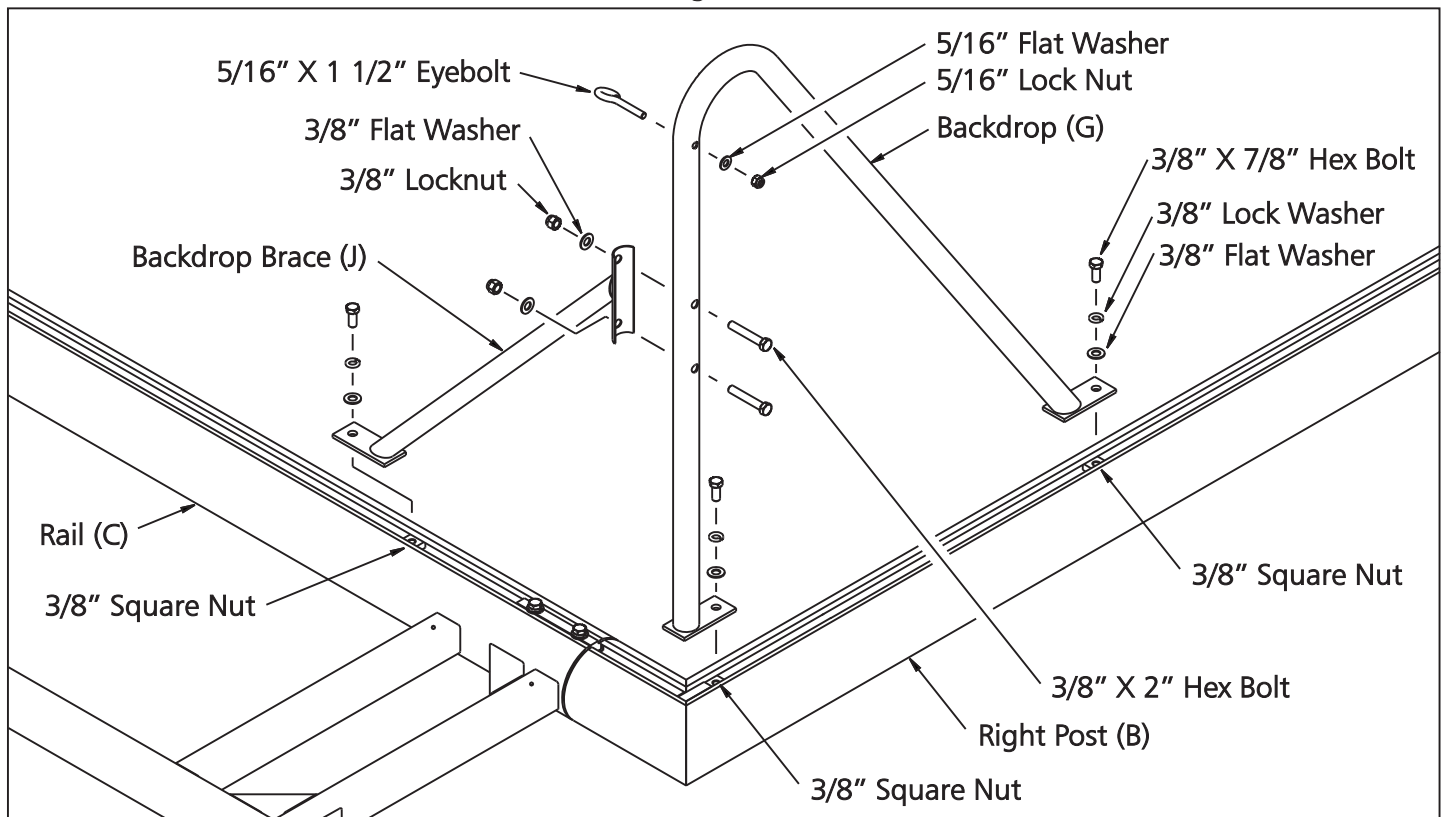
Fig. 2



**\*\*\*CAUTION\*\*\***

This goal has been designed to be used for the game of football or soccer. Goal posts must be anchored **AT ALL TIMES** and shall be secured against tilting. Do not climb on the net or goal framework at anytime! All fastenings must be checked to insure they are fully tightened before and after each use of this product. Goal posts not in use must be disassembled and properly stored in a safe, secure area. (See Guidelines for Movable Soccer Goal Safety, included.) Assembled goal posts should not be left unattended. Remove nets when goals are not in use. Do not use this equipment during the threat of high winds. Goal posts should be checked for safety before and after each use. All warnings and safety labels included with this product must be visible at all times. Any modifications to this or any Kwik Goal product will void any and all warranties.

Fig. 3



**\*\*\*CAUTION\*\*\***

This goal has been designed to be used for the game of football or soccer. Goal posts must be anchored **AT ALL TIMES** and shall be secured against tilting. Do not climb on the net or goal framework at anytime! All fastenings must be checked to insure they are fully tightened before and after each use of this product. Goal posts not in use must be disassembled and properly stored in a safe, secure area. (See Guidelines for Movable Soccer Goal Safety, included.) Assembled goal posts should not be left unattended. Remove nets when goals are not in use. Do not use this equipment during the threat of high winds. Goal posts should be checked for safety before and after each use. All warnings and safety labels included with this product must be visible at all times. Any modifications to this or any Kwik Goal product will void any and all warranties.

Fig. 4  
Top View

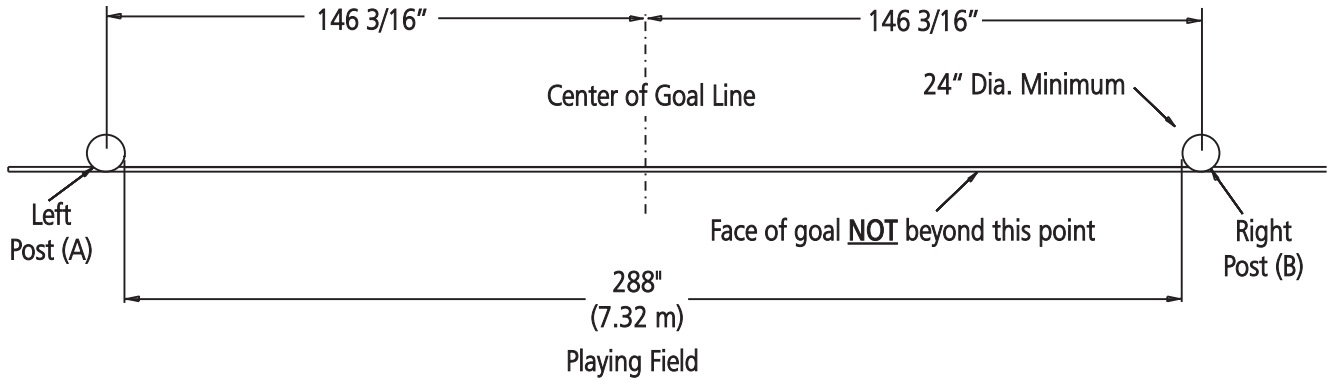
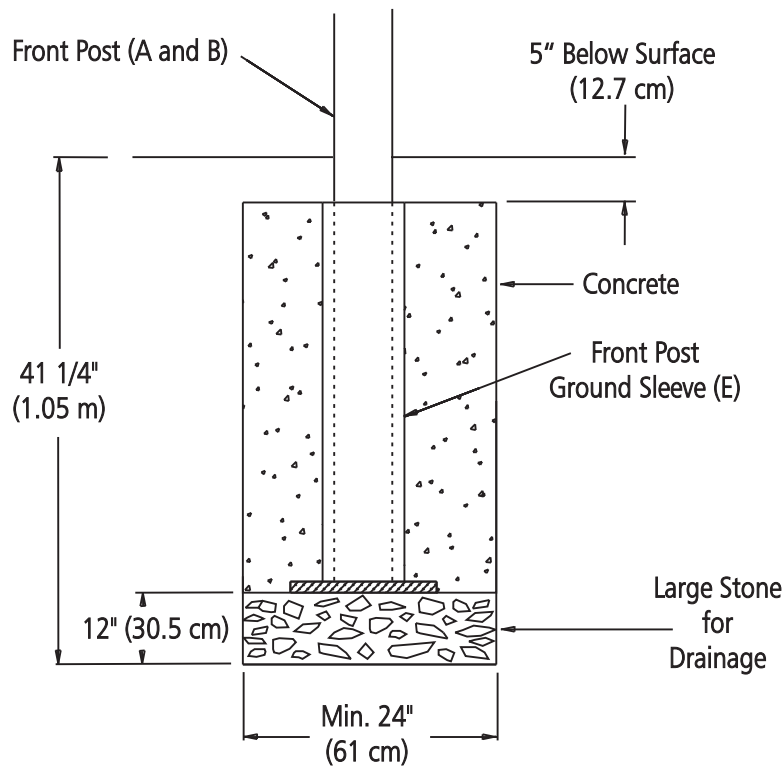


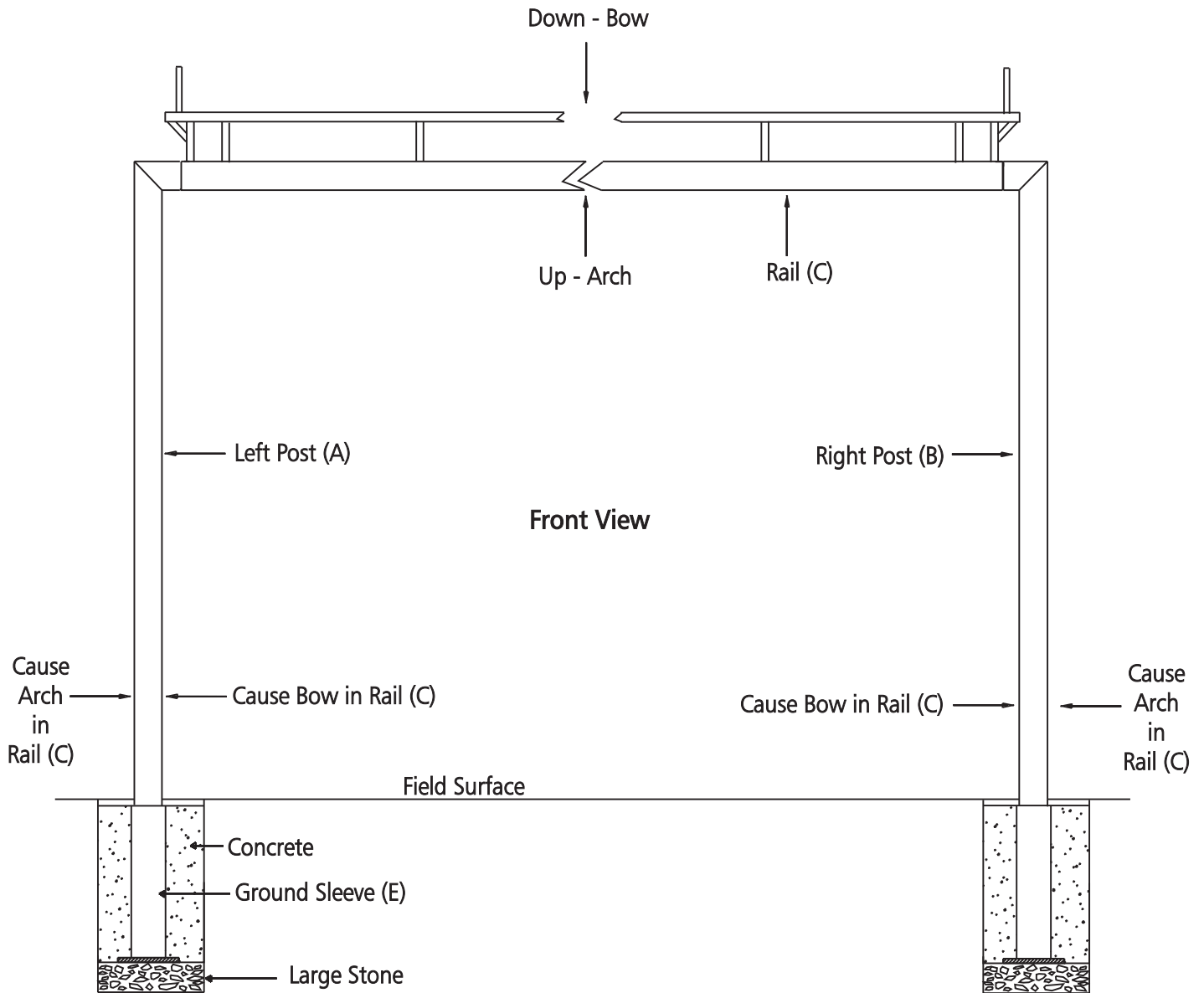
Fig. 5



**\*\*\*CAUTION\*\*\***

This goal has been designed to be used for the game of football or soccer. Goal posts must be anchored **AT ALL TIMES** and shall be secured against tilting. Do not climb on the net or goal framework at anytime! All fastenings must be checked to insure they are fully tightened before and after each use of this product. Goal posts not in use must be disassembled and properly stored in a safe, secure area. (See Guidelines for Movable Soccer Goal Safety, included.) Assembled goal posts should not be left unattended. Remove nets when goals are not in use. Do not use this equipment during the threat of high winds. Goal posts should be checked for safety before and after each use. All warnings and safety labels included with this product must be visible at all times. Any modifications to this or any Kwik Goal product will void any and all warranties.

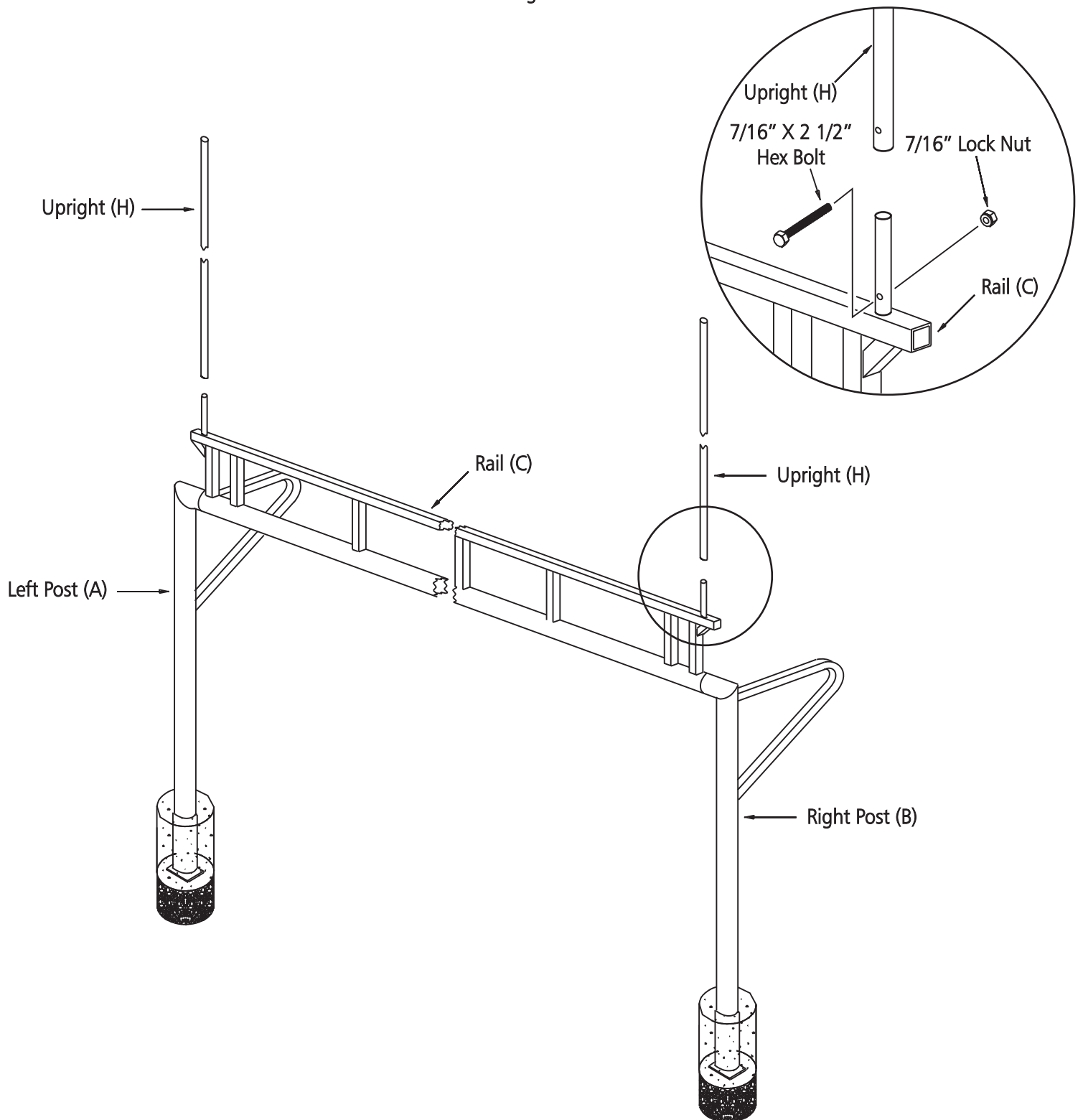
Fig. 6



**\*\*\*CAUTION\*\*\***

This goal has been designed to be used for the game of football or soccer. Goal posts must be anchored **AT ALL TIMES** and shall be secured against tilting. Do not climb on the net or goal framework at anytime! All fastenings must be checked to insure they are fully tightened before and after each use of this product. Goal posts not in use must be disassembled and properly stored in a safe, secure area. (See Guidelines for Movable Soccer Goal Safety, included.) Assembled goal posts should not be left unattended. Remove nets when goals are not in use. Do not use this equipment during the threat of high winds. Goal posts should be checked for safety before and after each use. All warnings and safety labels included with this product must be visible at all times. Any modifications to this or any Kwik Goal product will void any and all warranties.

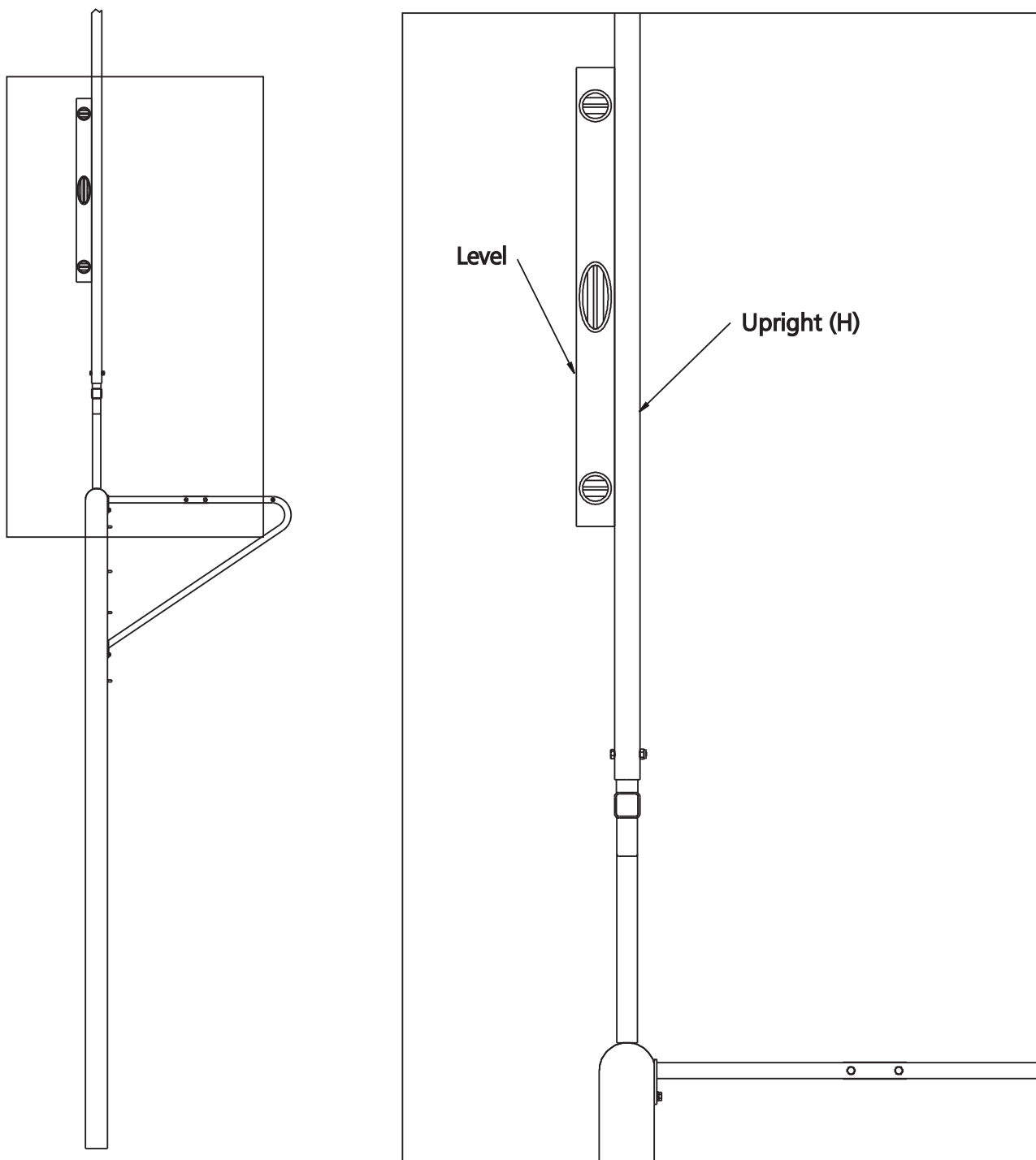
Fig. 7



**\*\*\*CAUTION\*\*\***

This goal has been designed to be used for the game of football or soccer. Goal posts must be anchored **AT ALL TIMES** and shall be secured against tilting. Do not climb on the net or goal framework at anytime! All fastenings must be checked to insure they are fully tightened before and after each use of this product. Goal posts not in use must be disassembled and properly stored in a safe, secure area. (See Guidelines for Movable Soccer Goal Safety, included.) Assembled goal posts should not be left unattended. Remove nets when goals are not in use. Do not use this equipment during the threat of high winds. Goal posts should be checked for safety before and after each use. All warnings and safety labels included with this product must be visible at all times. Any modifications to this or any Kwik Goal product will void any and all warranties.

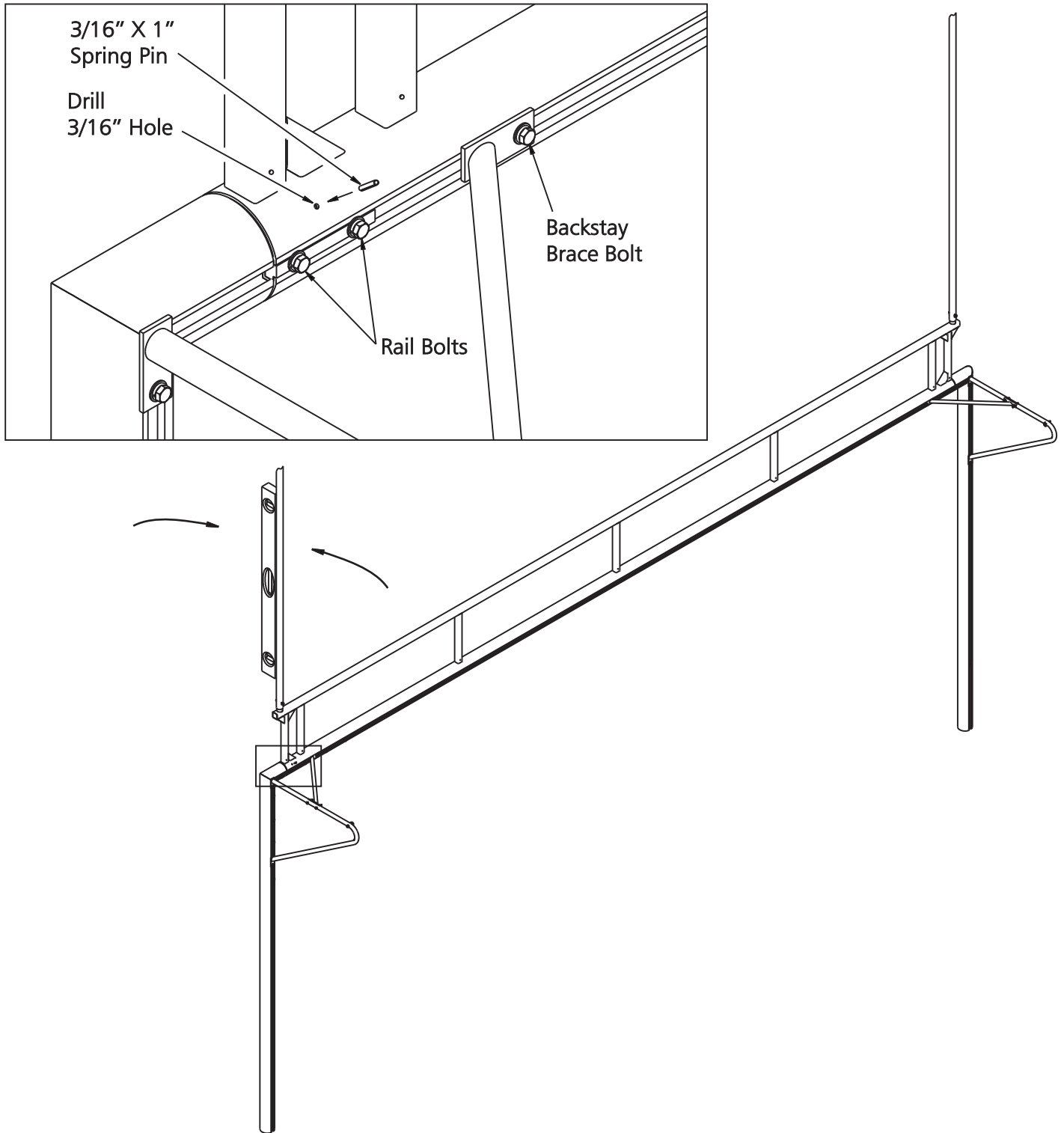
Fig. 8



**\*\*\*CAUTION\*\*\***

This goal has been designed to be used for the game of football or soccer. Goal posts must be anchored **AT ALL TIMES** and shall be secured against tilting. Do not climb on the net or goal framework at anytime! All fastenings must be checked to insure they are fully tightened before and after each use of this product. Goal posts not in use must be disassembled and properly stored in a safe, secure area. (See Guidelines for Movable Soccer Goal Safety, included.) Assembled goal posts should not be left unattended. Remove nets when goals are not in use. Do not use this equipment during the threat of high winds. Goal posts should be checked for safety before and after each use. All warnings and safety labels included with this product must be visible at all times. Any modifications to this or any Kwik Goal product will void any and all warranties.

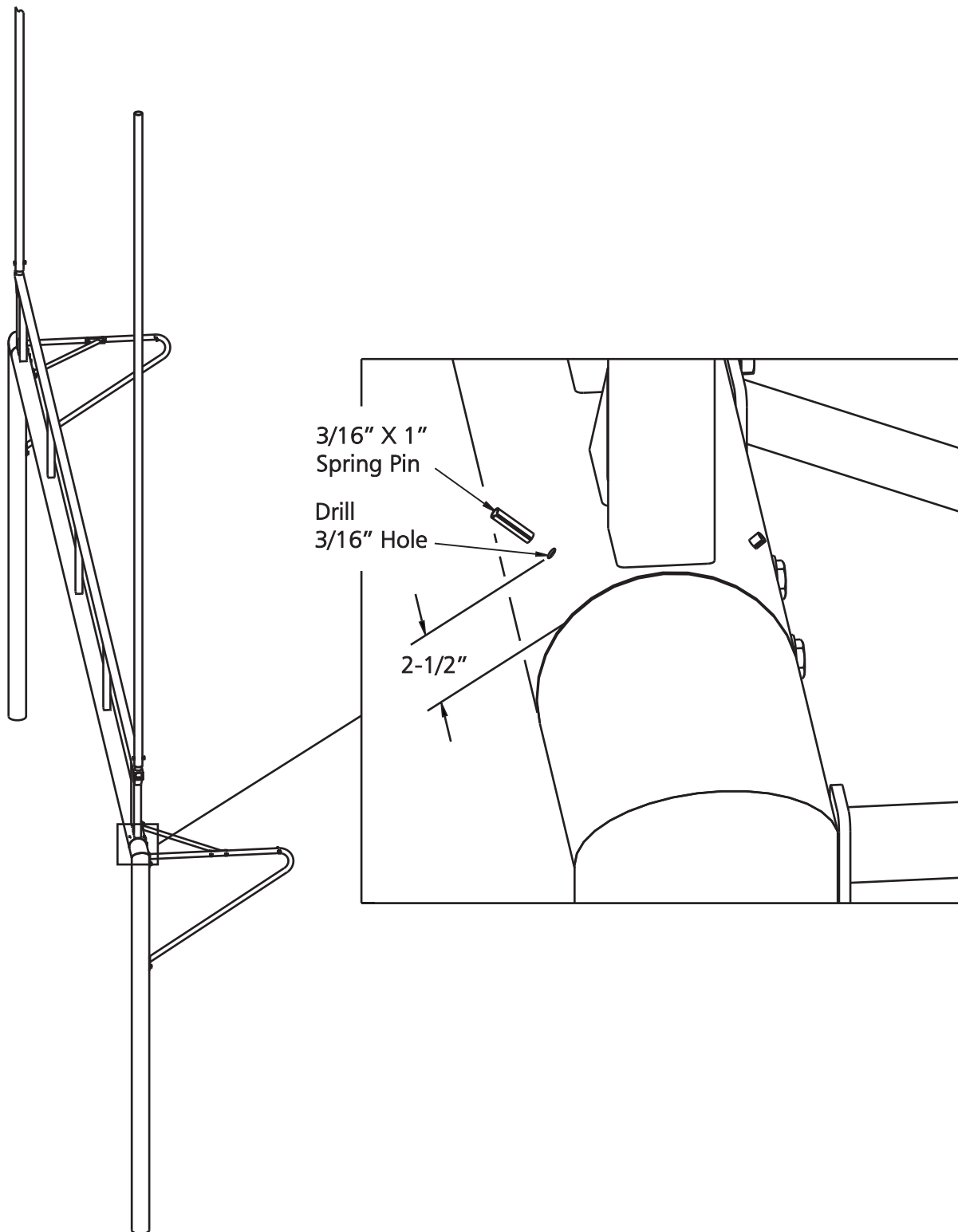
Fig. 9



**\*\*\*CAUTION\*\*\***

This goal has been designed to be used for the game of football or soccer. Goal posts must be anchored **AT ALL TIMES** and shall be secured against tilting. Do not climb on the net or goal framework at anytime! All fastenings must be checked to insure they are fully tightened before and after each use of this product. Goal posts not in use must be disassembled and properly stored in a safe, secure area. (See Guidelines for Movable Soccer Goal Safety, included.) Assembled goal posts should not be left unattended. Remove nets when goals are not in use. Do not use this equipment during the threat of high winds. Goal posts should be checked for safety before and after each use. All warnings and safety labels included with this product must be visible at all times. Any modifications to this or any Kwik Goal product will void any and all warranties.

Fig. 10



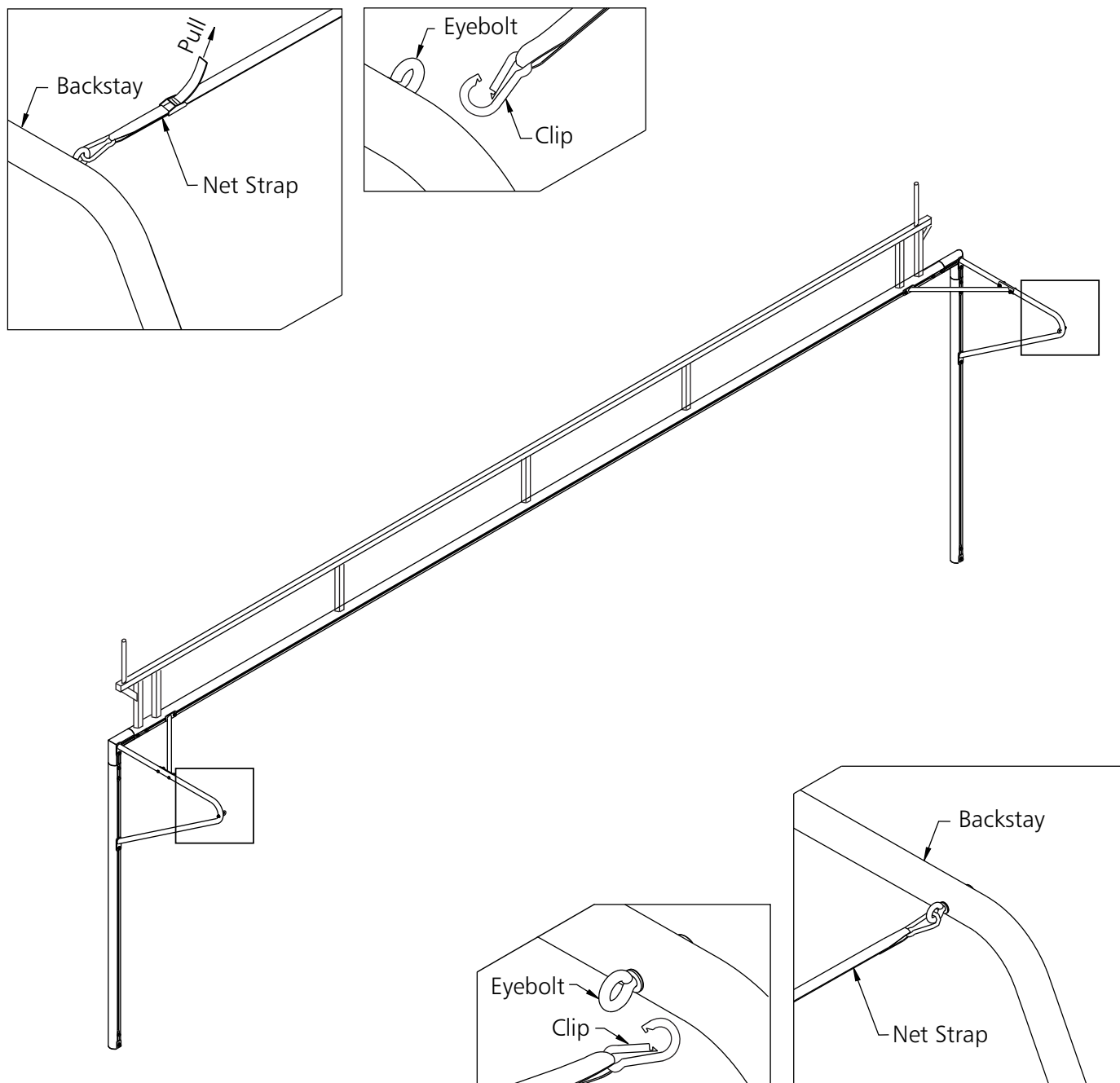
**\*\*\*CAUTION\*\*\***

This goal has been designed to be used for the game of football or soccer. Goal posts must be anchored **AT ALL TIMES** and shall be secured against tilting. Do not climb on the net or goal framework at anytime! All fastenings must be checked to insure they are fully tightened before and after each use of this product. Goal posts not in use must be disassembled and properly stored in a safe, secure area. (See Guidelines for Movable Soccer Goal Safety, included.) Assembled goal posts should not be left unattended. Remove nets when goals are not in use. Do not use this equipment during the threat of high winds. Goal posts should be checked for safety before and after each use. All warnings and safety labels included with this product must be visible at all times. Any modifications to this or any Kwik Goal product will void any and all warranties.

Fig. 11

**IMPORTANT**

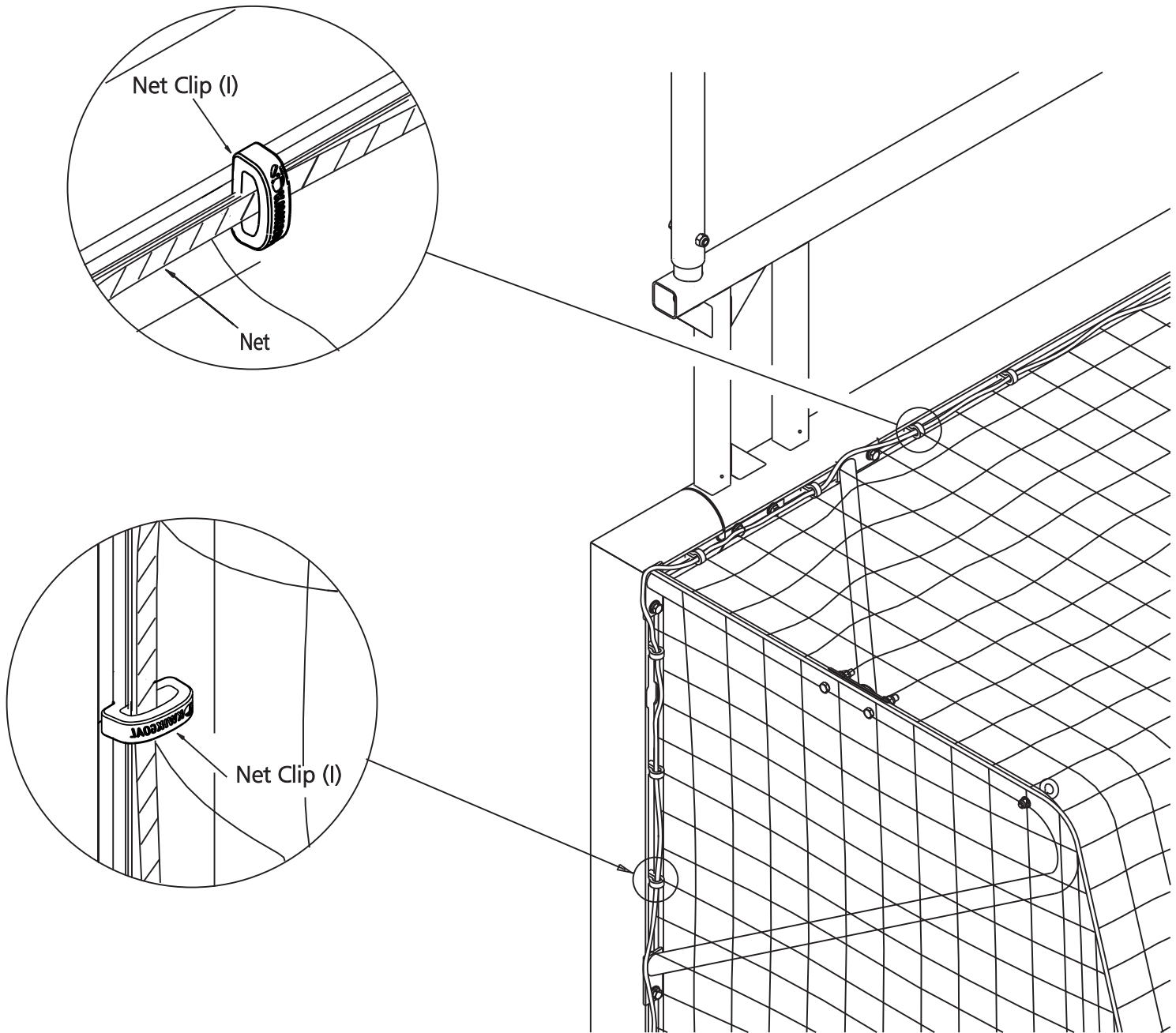
**Net must be installed correctly if goal is to look and perform as designed.**



**\*\*\*CAUTION\*\*\***

This goal has been designed to be used for the game of football or soccer. Goal posts must be anchored **AT ALL TIMES** and shall be secured against tilting. Do not climb on the net or goal framework at anytime! All fastenings must be checked to insure they are fully tightened before and after each use of this product. Goal posts not in use must be disassembled and properly stored in a safe, secure area. (See Guidelines for Movable Soccer Goal Safety, included.) Assembled goal posts should not be left unattended. Remove nets when goals are not in use. Do not use this equipment during the threat of high winds. Goal posts should be checked for safety before and after each use. All warnings and safety labels included with this product must be visible at all times. Any modifications to this or any Kwik Goal product will void any and all warranties.

Fig. 12



**\*\*\*CAUTION\*\*\***

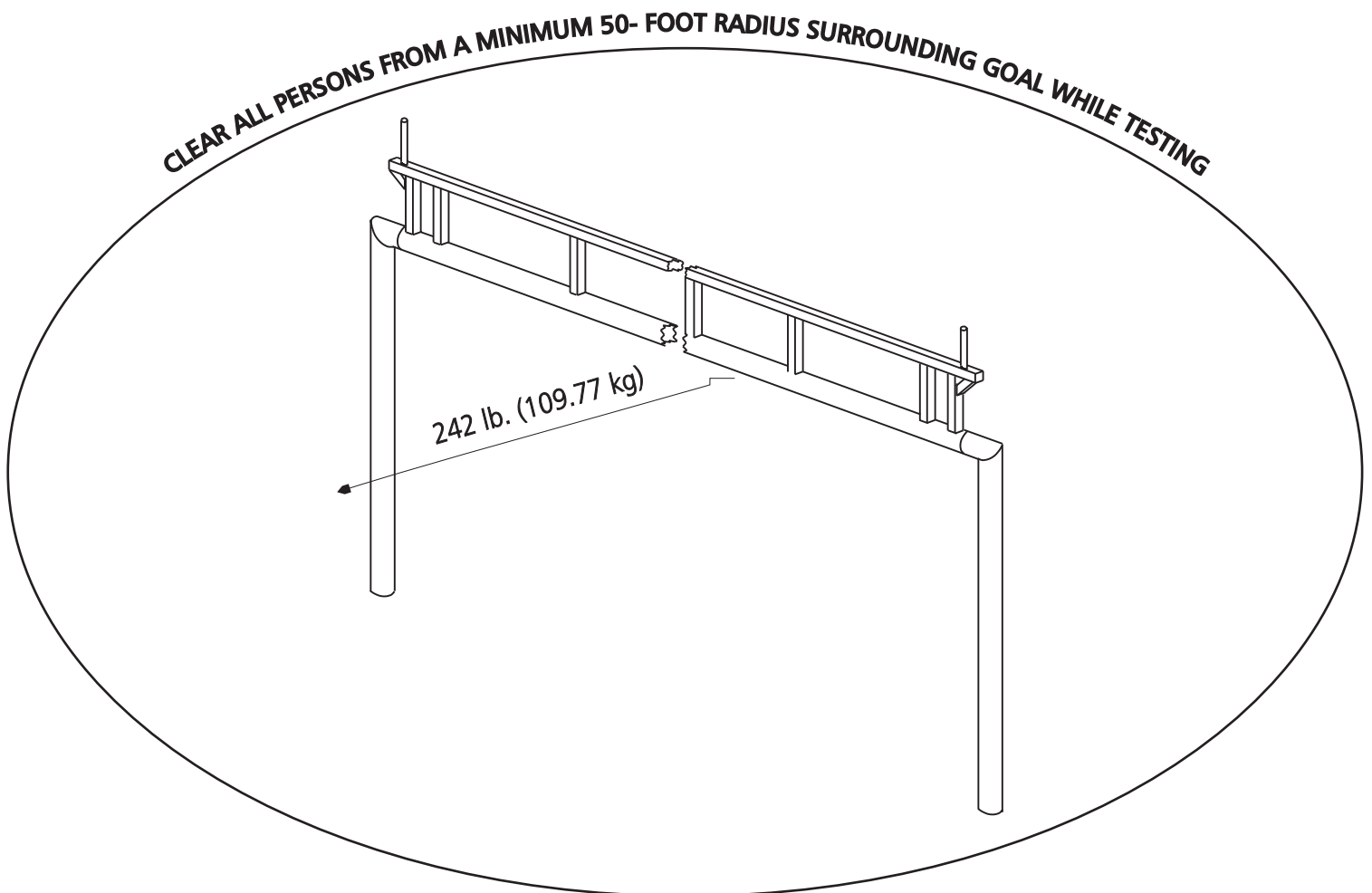
This goal has been designed to be used for the game of football or soccer. Goal posts must be anchored **AT ALL TIMES** and shall be secured against tilting. Do not climb on the net or goal framework at anytime! All fastenings must be checked to insure they are fully tightened before and after each use of this product. Goal posts not in use must be disassembled and properly stored in a safe, secure area. (See Guidelines for Movable Soccer Goal Safety, included.) Assembled goal posts should not be left unattended. Remove nets when goals are not in use. Do not use this equipment during the threat of high winds. Goal posts should be checked for safety before and after each use. All warnings and safety labels included with this product must be visible at all times. Any modifications to this or any Kwik Goal product will void any and all warranties.

Fig. 13

### Anchor Test

After installing the type of anchoring system chosen to secure goal to field surface:

1. Clear all persons from a minimum 50-foot radius surrounding the goal during testing.
2. Standing in front of goal, apply a horizontal pull force of 242 lbs. in the center or the top rail for 60 seconds (+/- 10 seconds). Full safety precautions must be taken while performing test.
3. Determine if unit tilts or does not return to its original position.
4. If unit tilts or does not return to its original position, use alternate anchoring system.



**\*\*\*CAUTION\*\*\***

This goal has been designed to be used for the game of football or soccer. Goal posts must be anchored **AT ALL TIMES** and shall be secured against tilting. Do not climb on the net or goal framework at anytime! All fastenings must be checked to insure they are fully tightened before and after each use of this product. Goal posts not in use must be disassembled and properly stored in a safe, secure area. (See Guidelines for Movable Soccer Goal Safety, included.) Assembled goal posts should not be left unattended. Remove nets when goals are not in use. Do not use this equipment during the threat of high winds. Goal posts should be checked for safety before and after each use. All warnings and safety labels included with this product must be visible at all times. Any modifications to this or any Kwik Goal product will void any and all warranties.