



All Kwik Goal products carry a **Lifetime Guarantee**. For help with guarantee issues visit kwikgoal.com and click on the **Lifetime Guarantee** logo or contact customer service at 1-800-531-4252.

INSTALLATION INSTRUCTIONS FOR 2D401 AND 2D405 SINGLE POST FOOTBALL GOALS

THIS EQUIPMENT SHOULD BE INSTALLED BY EXPERIENCED INSTALLERS ONLY. FIELD SHOULD BE LAID OUT AND SQUARED WITH CORNER STAKES AT THE END LINE BEFORE INSTALLING SLEEVE. THIS IS YOUR REFERENCE POINT.

1. Unpack all parts and check for damage that may have occurred during shipping. If damage has occurred, notify trucking company immediately. Lay out all parts. Remove packaging immediately. Wet or damp packaging may damage contents.
2. Initial assembly, attach flags (I) to uprights (C). See figure 1.
3. Dig a 65" deep hole at least 48" across, centered 113-3/8" from inside edge of end line (face of the goal's cross bar). See figure 2.
4. Fill bottom of hole with approximately 12" of small stone to allow for water drainage. See figure 2.
5. Set ground sleeve (G) so that the top edge is 5" lower than the field surface. Be sure to plumb, level, and check square to end line. By placing front of ground sleeve (G) 110-1/16" from inside edge of end line, goal face will be positioned over inside edge of end line. (Providing ground sleeve (G) is installed plumb and level). Ground sleeve (G) should be set on stone surface at bottom of hole with anti-spin device (F) facing the rear of the field. (The anti-spin device (F) attaches to the rear of the goal, see figures 2, 3 and 4.) The stone under ground sleeve (G) will provide drainage of water and small debris through the hole located in the bottom base plate of the ground sleeve (G). See figure 2.
6. Fill hole with no less than 2 1/4 yards of 3,000 psi concrete to top of ground sleeve (G). Be sure to have ground sleeve cap (H) in place so no debris or concrete enters sleeve during construction. See figure 2. This will allow simple insertion of post (A) after concrete has set. Allow 3 days for curing.
7. After concrete has set, remove ground sleeve cap (H). With the use of proper machinery, set post (A) into ground sleeve (G). Seal seam between post (A) and ground sleeve (G) to prevent debris from entering ground sleeve (G). Fasten post (A) to ground sleeve (G) by attaching and tightening anti-spin device (F). See figures 2, 3 and 4. **NOTE:** Be sure to coat threads on all bolts with anti-seize compound before fastening.
8. Remove shipping fixture from post. Discard fixture and all hardware. See figure 5.
9. Attach crossbar (B) by lifting it into 3/4" shaft located on post (A). Fasten with 3/4" nut and washer. See figure 5. **NOTE:** Make sure flat side of crossbar (B) is toward crossbar plate (D). Be sure to position upright sleeves facing upward.

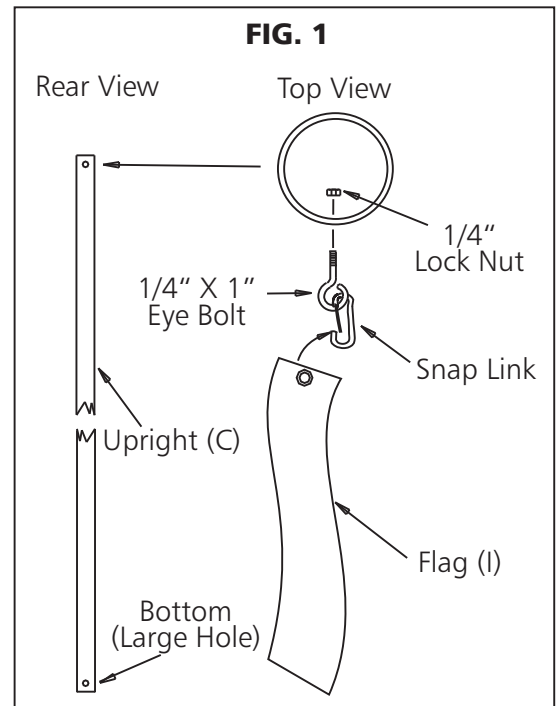
CAUTION : GOALS MUST BE PROPERLY ANCHORED OR STORED AT ALL TIMES.

140 Pacific Drive Quakertown, PA 18951
(P) 215- 536-2200 / (P) 800-531-4252 / (F) 215-536-4309 / (F) 800-778-8869
Visit our website @ kwikgoal.com
© 2006, Rev. 2010 Kwik Goal Ltd.

10. Pivot crossbar (B) down to ground level one end at a time and attach uprights (C) to crossbar (B) and secure with 7/16" bolts and nuts from ground position. See figure 6.
11. After uprights (C) have been secured, pivot crossbar (B) to a level position and secure. See figure 7.
12. Check crossbar (B) making sure it is level. This should be done at the center. Make adjustments by loosening the crossbar (B) mounting bolts. Adjustments can then be made on crossbar (B) by tilting right or left and to uprights (C) by turning the upright adjustment bolts. See figure 8.
13. Be sure crossbar (B) is parallel with end line, adjust as necessary by turning post in sleeve. Tighten flat head screws on anti-spin device (F). Tighten hex bolt and coupling nut against opposite sides of ground sleeve pocket to prevent post from turning in sleeve. Tighten jam nuts to lock bolt and coupling nut in place. See figure 9.
14. Cover concrete with soil and replace with sod or grass.
15. Attach post padding (J).
16. Please note it is very important to install ground sleeve cap (H) whenever goal is removed from ground sleeve (G) to prevent foreign debris from entering ground sleeve (G). The length of post has been designed to give you a height of 10 ft. to top of crossbar (B) when post (A) hits bottom of ground sleeve (G). **NOTE: Will only be correct if ground sleeve (G) is perfectly plumbed, leveled, has no foreign debris inside it and has been installed 5" below field surface.**

Parts List for 1 Goal

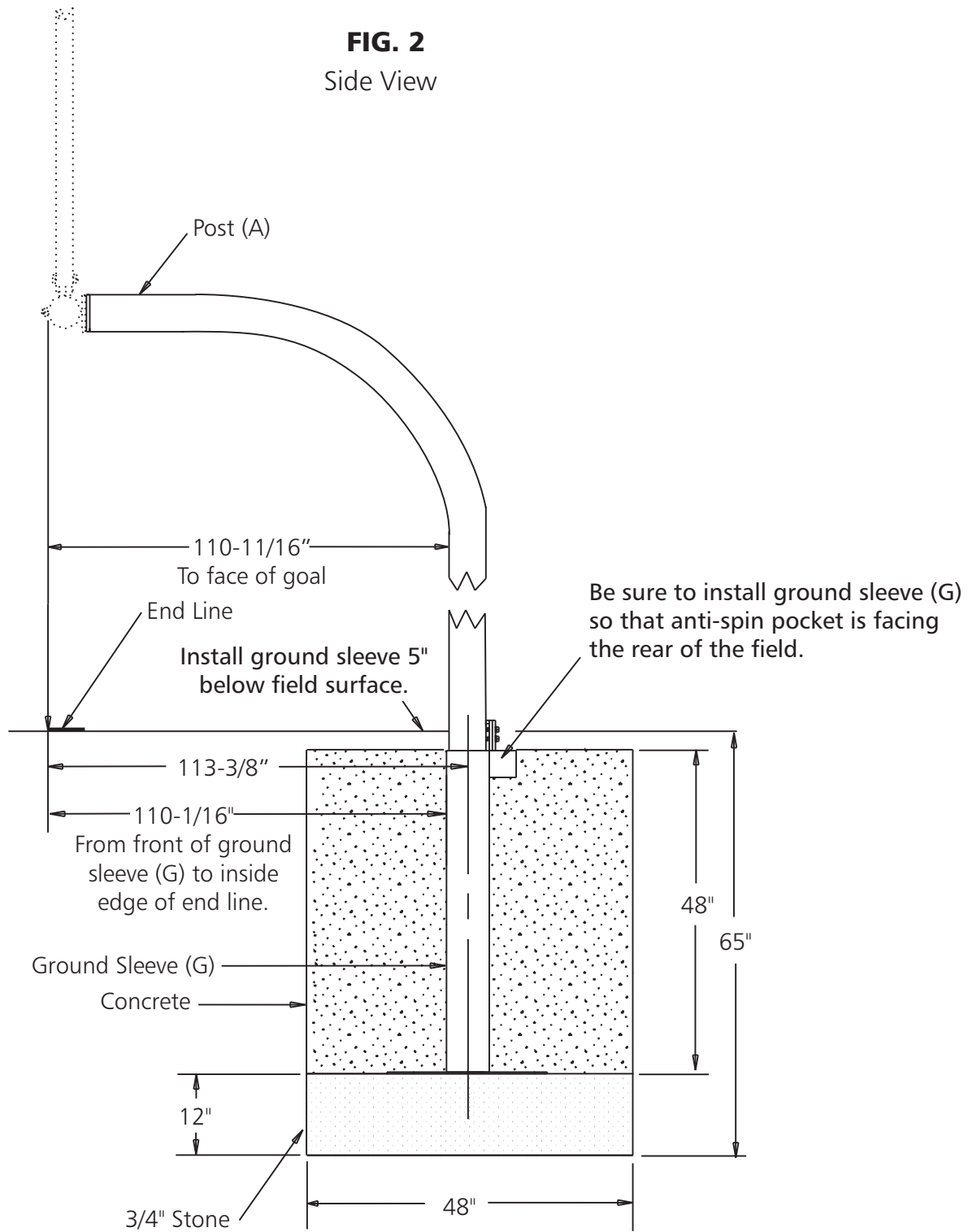
A.	Post	(1)
B.	Crossbar	(1)
C.	Uprights	(2)
D.	Crossbar Plate	(1)
F.	Anti-Spin Device	(1)
G.	Ground Sleeve	(1)
H.	Ground Sleeve Cap	(1)
I.	Flag	(2)
J.	Post Pad	(1)
K.	Anti-Seize Compound	(1)



Hardware - Be sure to coat threads of all hardware with a liberal amount of anti-seize before assembly.

Snap Link	(2)	7/16" Lock Nut	(2)	1/2" Lock Nut	(2)
1/4" X 1" Eye Bolt	(2)	1/2" X 2 1/2" Flat Head Screw	(2)	1/2" Flat Washer	(4)
1/4" Lock Nut	(2)	1/2" X 3-1/2" Hex Bolt	(1)	3/4" Jam Nut	(1)
3/8" X 1 1/4" Hex Bolt	(8)	1/2" X 7" Hex Bolt	(2)	3/4" Flat Washer	(1)
3/8" Jam Nut	(8)	1/2" Coupling Nut	(1)		
7/16" X 3 1/2" Hex Bolt	(2)	1/2" Jam Nut	(2)		

FIG. 2
Side View



*****CAUTION*****

This goal has been designed to be used for the game of football only. Goal posts must be anchored AT ALL TIMES and shall be secured against tilting. Do not climb on the goal framework at anytime! All fastenings must be checked to insure they are fully tightened before and after each use of this product. Goal posts not in use must be disassembled and properly stored in a safe, secure area. Assembled goal posts should not be left unattended. Do not use this equipment during the threat of high winds. Goal posts should be checked for safety before and after each use. All warning and safety labels included with this product must be visible at all times. Any modifications to this or any Kwik Goal product will void any and all warranties.

FIG. 3

Assemble hex bolt, coupling nut, and jam nuts into top hole of anti-spin device.

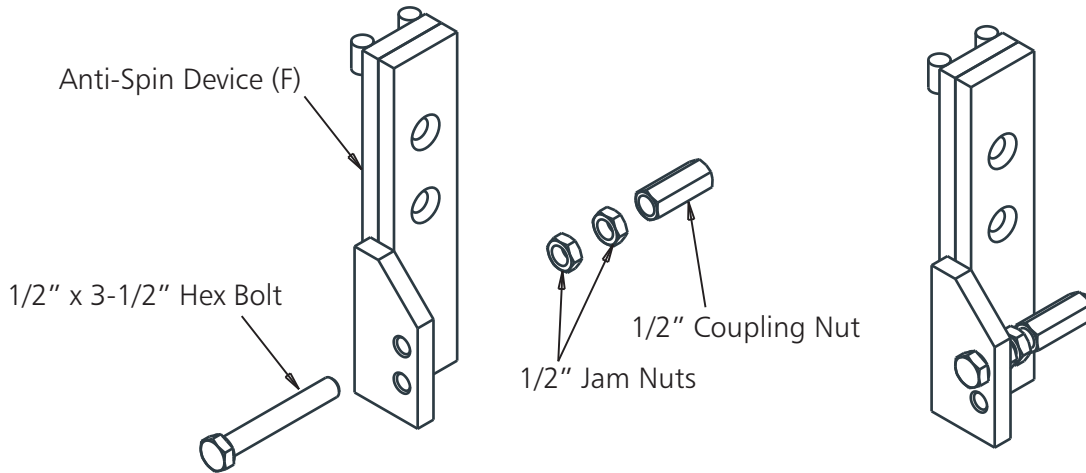
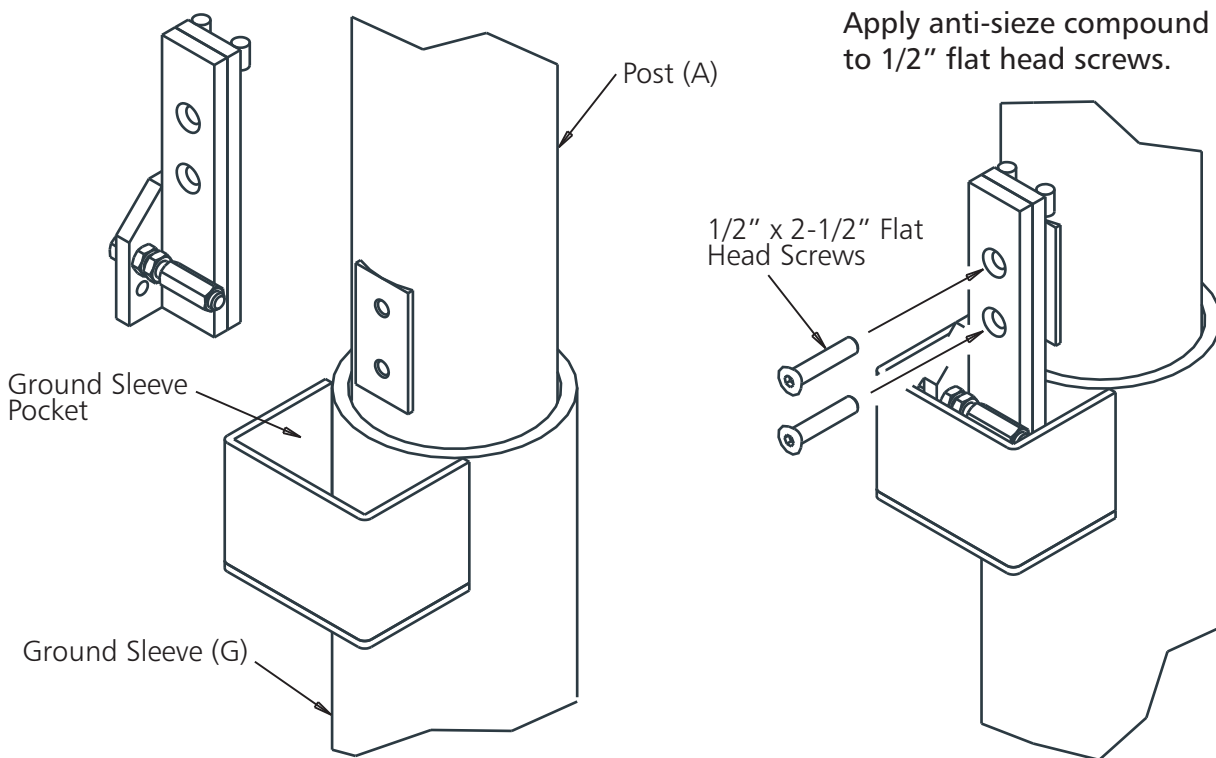


FIG. 4

Apply anti-sieze compound to 1/2" flat head screws.



*****CAUTION*****

This goal has been designed to be used for the game of football only. Goal posts must be anchored AT ALL TIMES and shall be secured against tilting. Do not climb on the goal framework at anytime! All fastenings must be checked to insure they are fully tightened before and after each use of this product. Goal posts not in use must be disassembled and properly stored in a safe, secure area. Assembled goal posts should not be left unattended. Do not use this equipment during the threat of high winds. Goal posts should be checked for safety before and after each use. All warning and safety labels included with this product must be visible at all times. Any modifications to this or any Kwik Goal product will void any and all warranties.

FIG. 5

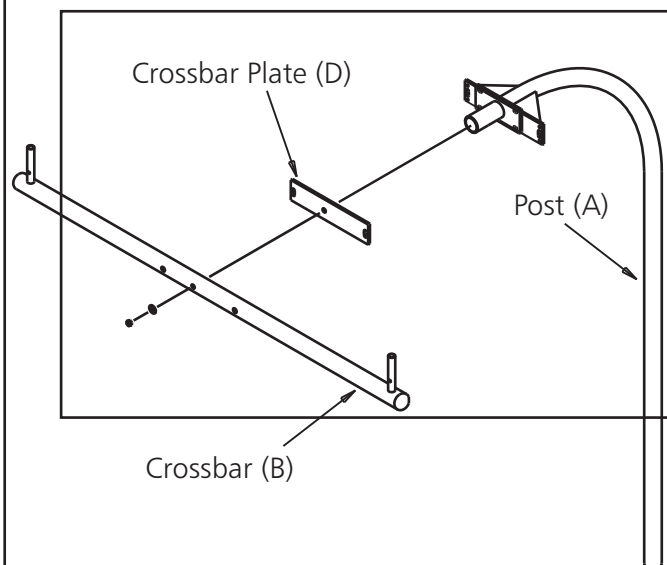
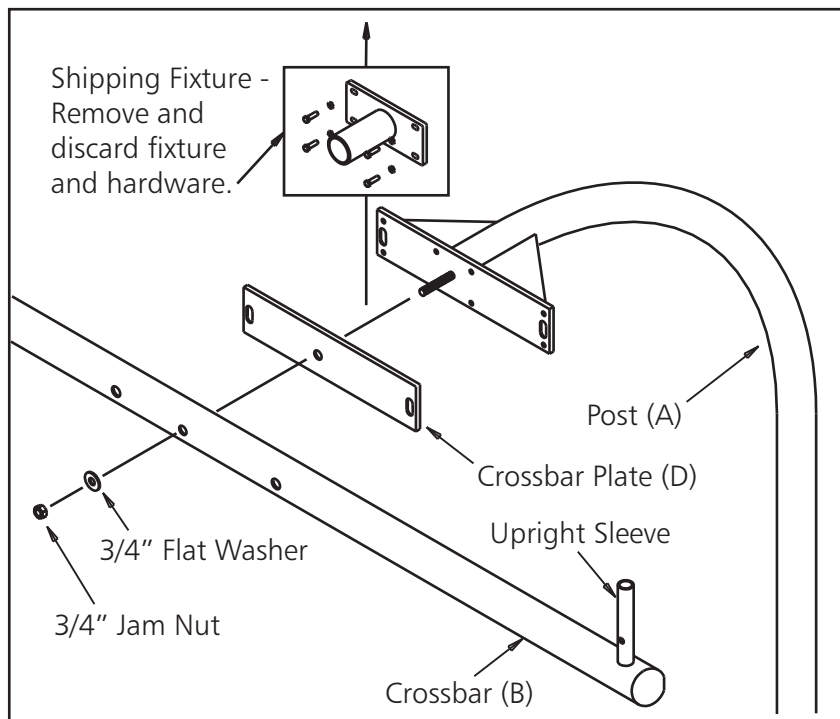
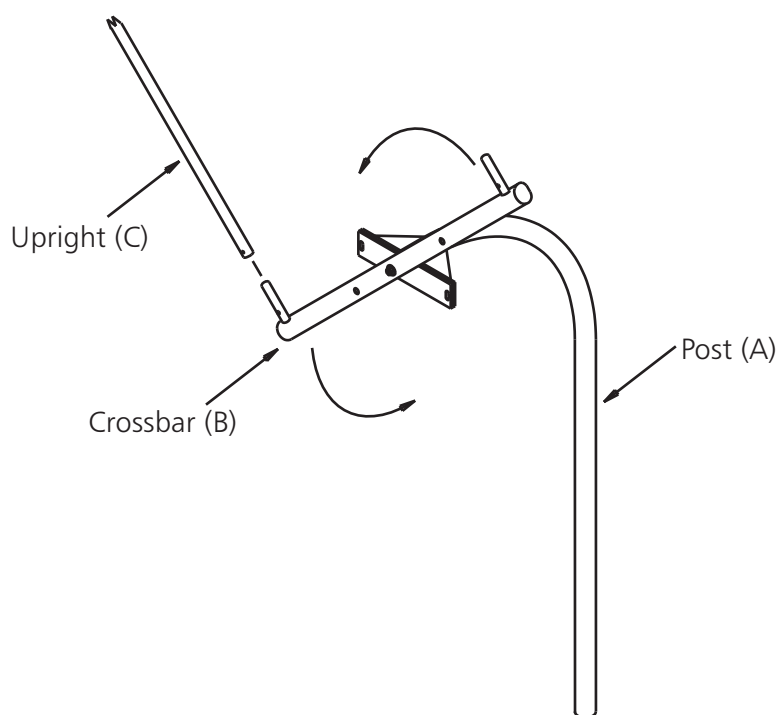
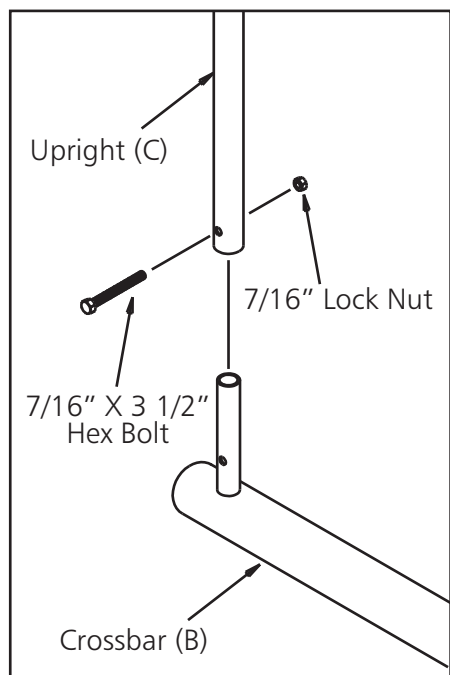


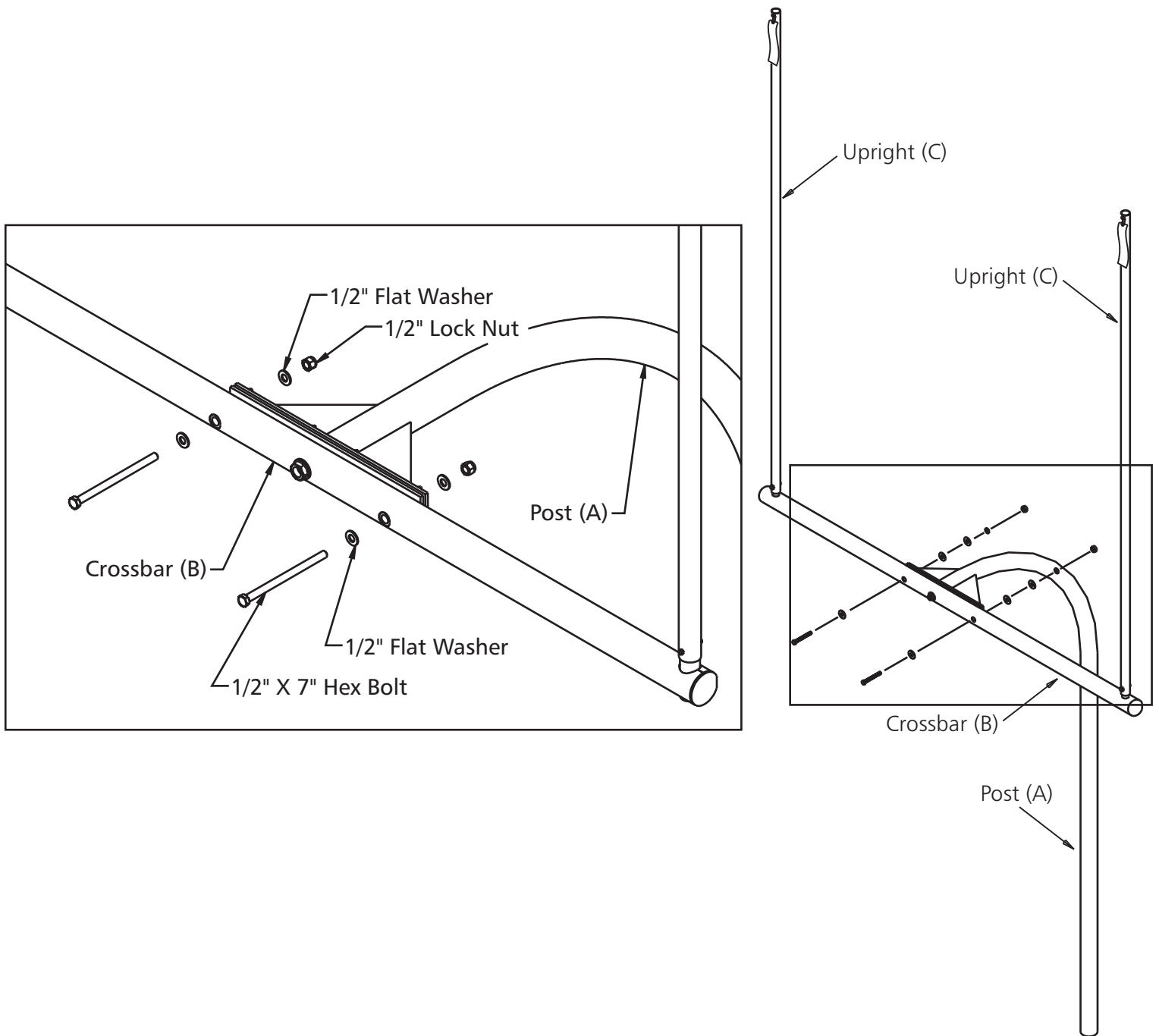
FIG. 6



*****CAUTION*****

This goal has been designed to be used for the game of football only. Goal posts must be anchored AT ALL TIMES and shall be secured against tilting. Do not climb on the goal framework at anytime! All fastenings must be checked to insure they are fully tightened before and after each use of this product. Goal posts not in use must be disassembled and properly stored in a safe, secure area. Assembled goal posts should not be left unattended. Do not use this equipment during the threat of high winds. Goal posts should be checked for safety before and after each use. All warning and safety labels included with this product must be visible at all times. Any modifications to this or any Kwik Goal product will void any and all warranties.

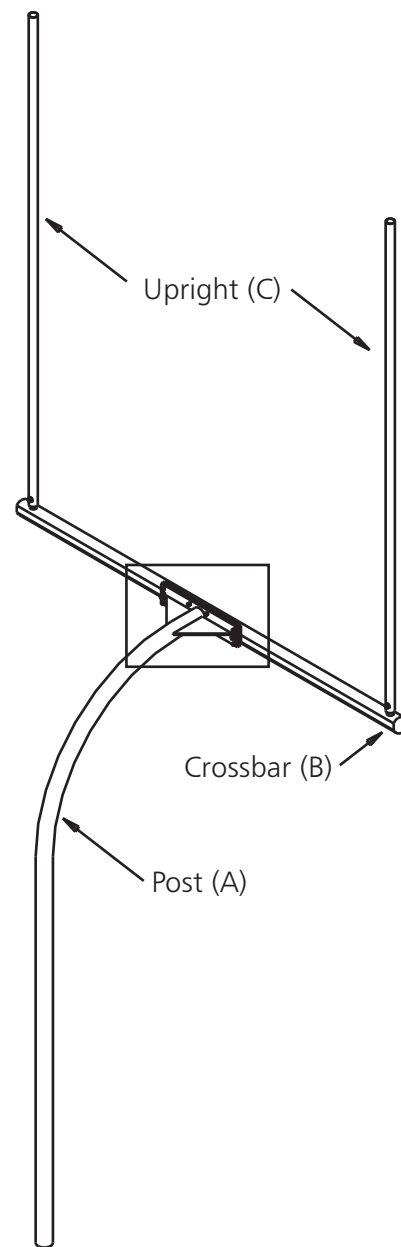
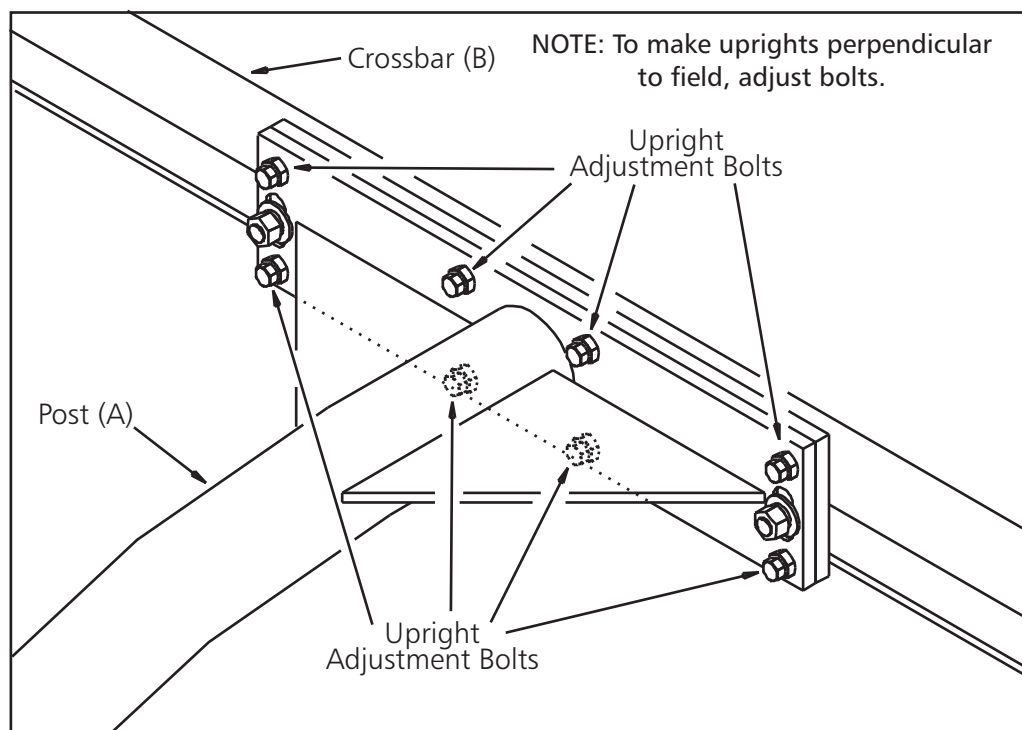
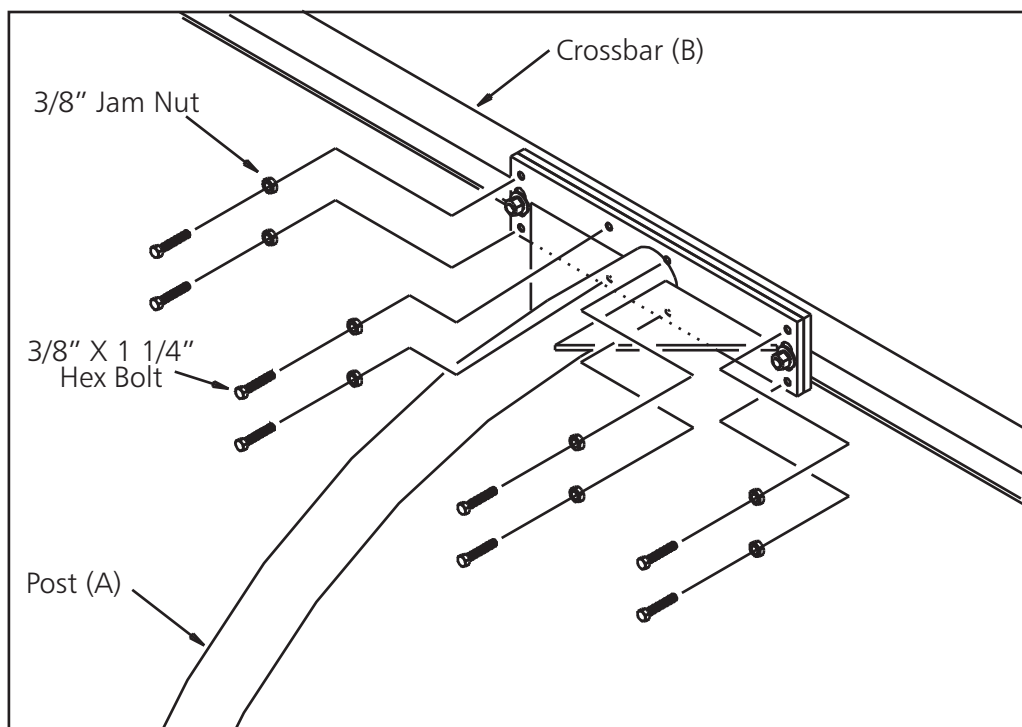
FIG. 7



*****CAUTION*****

This goal has been designed to be used for the game of football only. Goal posts must be anchored AT ALL TIMES and shall be secured against tilting. Do not climb on the goal framework at anytime! All fastenings must be checked to insure they are fully tightened before and after each use of this product. Goal posts not in use must be disassembled and properly stored in a safe, secure area. Assembled goal posts should not be left unattended. Do not use this equipment during the threat of high winds. Goal posts should be checked for safety before and after each use. All warning and safety labels included with this product must be visible at all times. Any modifications to this or any Kwik Goal product will void any and all warranties.

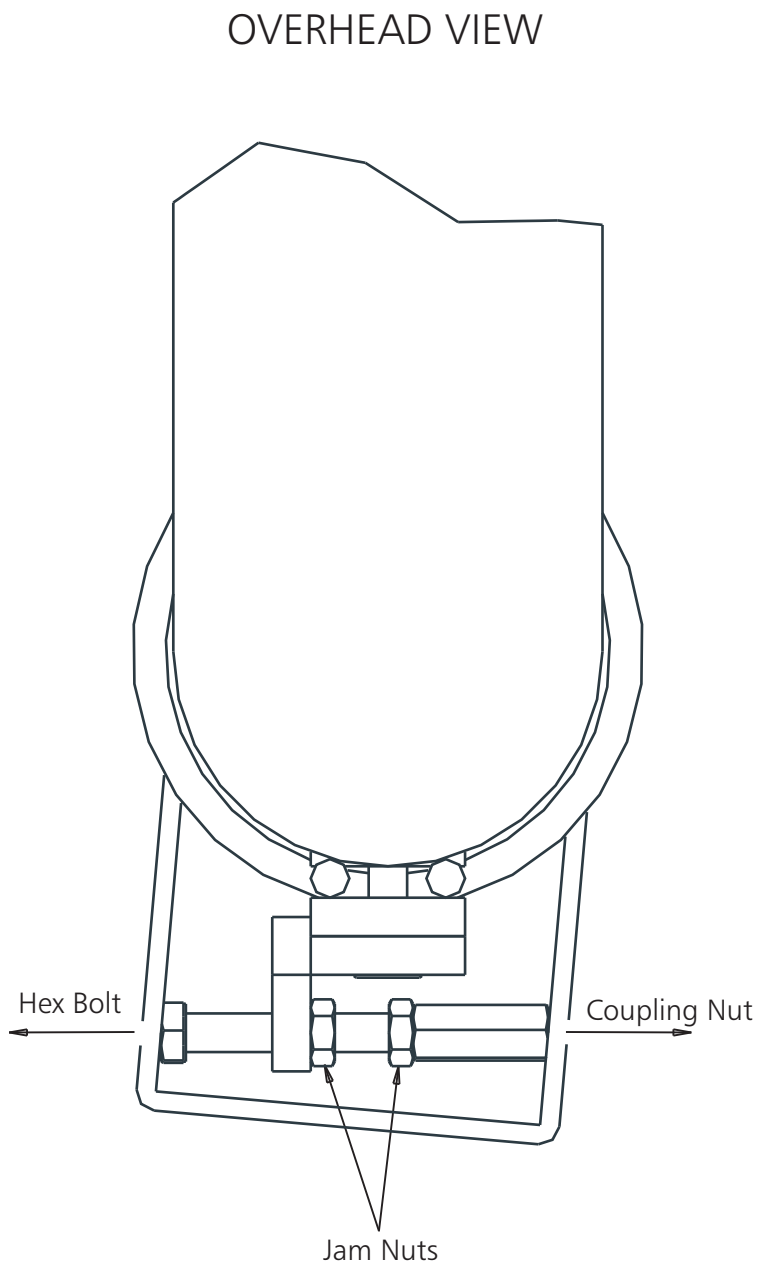
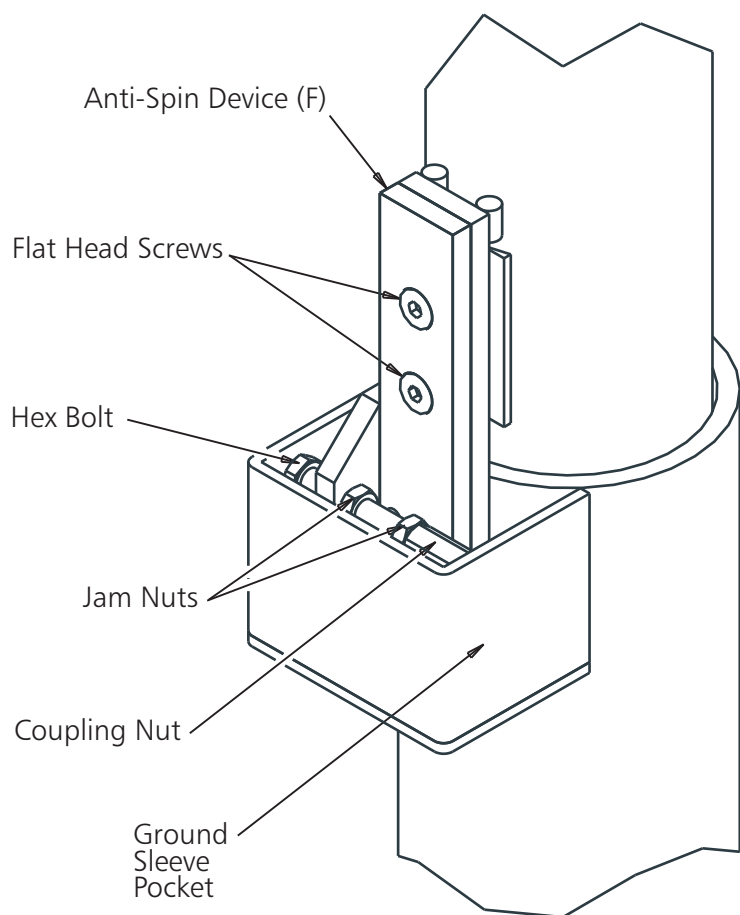
FIG. 8



*****CAUTION*****

This goal has been designed to be used for the game of football only. Goal posts must be anchored AT ALL TIMES and shall be secured against tilting. Do not climb on the goal framework at anytime! All fastenings must be checked to insure they are fully tightened before and after each use of this product. Goal posts not in use must be disassembled and properly stored in a safe, secure area. Assembled goal posts should not be left unattended. Do not use this equipment during the threat of high winds. Goal posts should be checked for safety before and after each use. All warning and safety labels included with this product must be visible at all times. Any modifications to this or any Kwik Goal product will void any and all warranties.

FIG. 9



*****CAUTION*****

This goal has been designed to be used for the game of football only. Goal posts must be anchored AT ALL TIMES and shall be secured against tilting. Do not climb on the goal framework at anytime! All fastenings must be checked to insure they are fully tightened before and after each use of this product. Goal posts not in use must be disassembled and properly stored in a safe, secure area. Assembled goal posts should not be left unattended. Do not use this equipment during the threat of high winds. Goal posts should be checked for safety before and after each use. All warning and safety labels included with this product must be visible at all times. Any modifications to this or any Kwik Goal product will void any and all warranties.