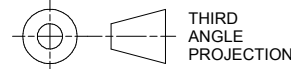


FEATURES:

- 1) MATERIAL:
ALUMINUM - CROSSBAR, UPRIGHTS
STEEL - GOOSENECK, GROUND SLEEVE, ANTI-SPIN DEVICE, GROUND SLEEVE CAP
- 2) FINISH: YELLOW POWDER COAT
- 3) GROUND SLEEVE, POST PADDING, GROUND SLEEVE CAP, AND WIND FLAGS INCLUDED
- 4) CROSSBAR - PRE-STRESSED TO ENSURE A LEVEL CROSSBAR AND PARALLEL UPRIGHTS
- 5) ONE-PIECE GOOSENECK FOR STRENGTH AND CLEAN LOOK
- 6) ANTI-SPIN DEVICE PREVENTS POST FROM TURNING
- 7) ASSEMBLED WEIGHT: 490 LBS
- 8) EXCEEDS NFSHSA SPECIFICATIONS

Finish Info.



THIRD ANGLE PROJECTION



DIMENSIONS ARE IN INCHES UNLESS OTHERWISE SPECIFIED

This item is the **exclusive** property of **KWIK GOAL LTD.** Reproduction or duplication **without** the express written consent of **KWIK GOAL LTD.** is **strictly forbidden.**

Approved By:

Date:

Drawn By: CSpeck

Date: 6/30/2001

Sheet: 1 of 4

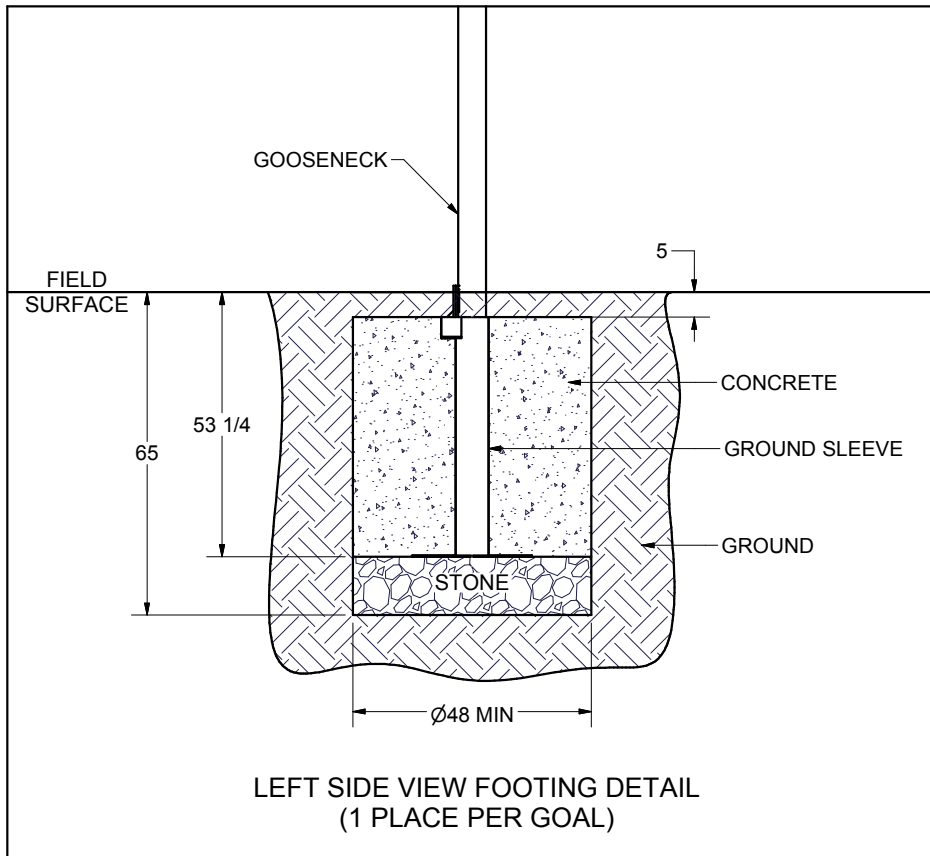
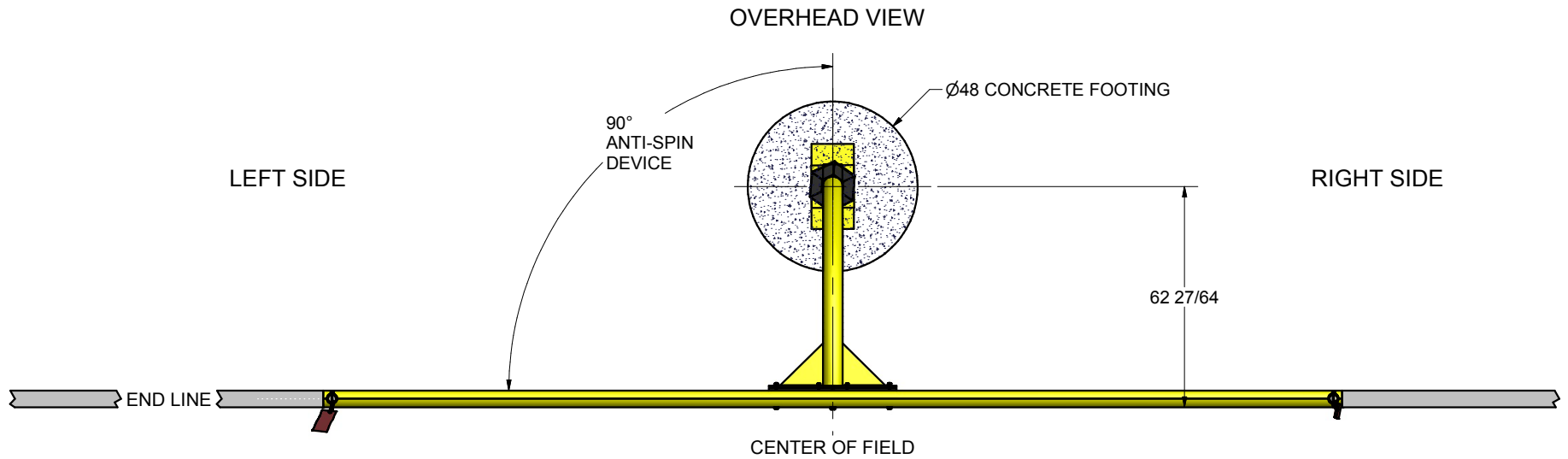
Revision #: 4

Cad File: 2D501.idw

Part #:

2D501

Desc: INTERSCHOLASTIC FOOTBALL GOAL WITH 5' GOOSENECK

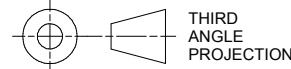


NOTES:

1) DIMENSIONS ARE FOR PLANNING PURPOSES. INSTALLATION MUST BE IN ACCORDANCE WITH INSTALLATION INSTRUCTIONS.

MATERIAL REQUIRED, BUT NOT SUPPLIED

1.9 cubic yard - CONCRETE
 0.5 cubic yard - CLEAN STONE (1/4" - 3/4")
 ABOVE AMOUNTS ARE PER GOAL INSTALLATION



THIRD ANGLE PROJECTION

KWIKGOAL® 140 Pacific Drive
 Quakertown, Pa. 18951

DIMENSIONS ARE IN INCHES UNLESS OTHERWISE SPECIFIED

Approved By:

Part #:

Date:

2D501

This item is the **exclusive** property of **KWIK GOAL LTD.** Reproduction or duplication **without** the express written consent of **KWIK GOAL LTD.** is **strictly forbidden.**

Drawn By: CSpeck

Desc:

Date: 6/30/2001

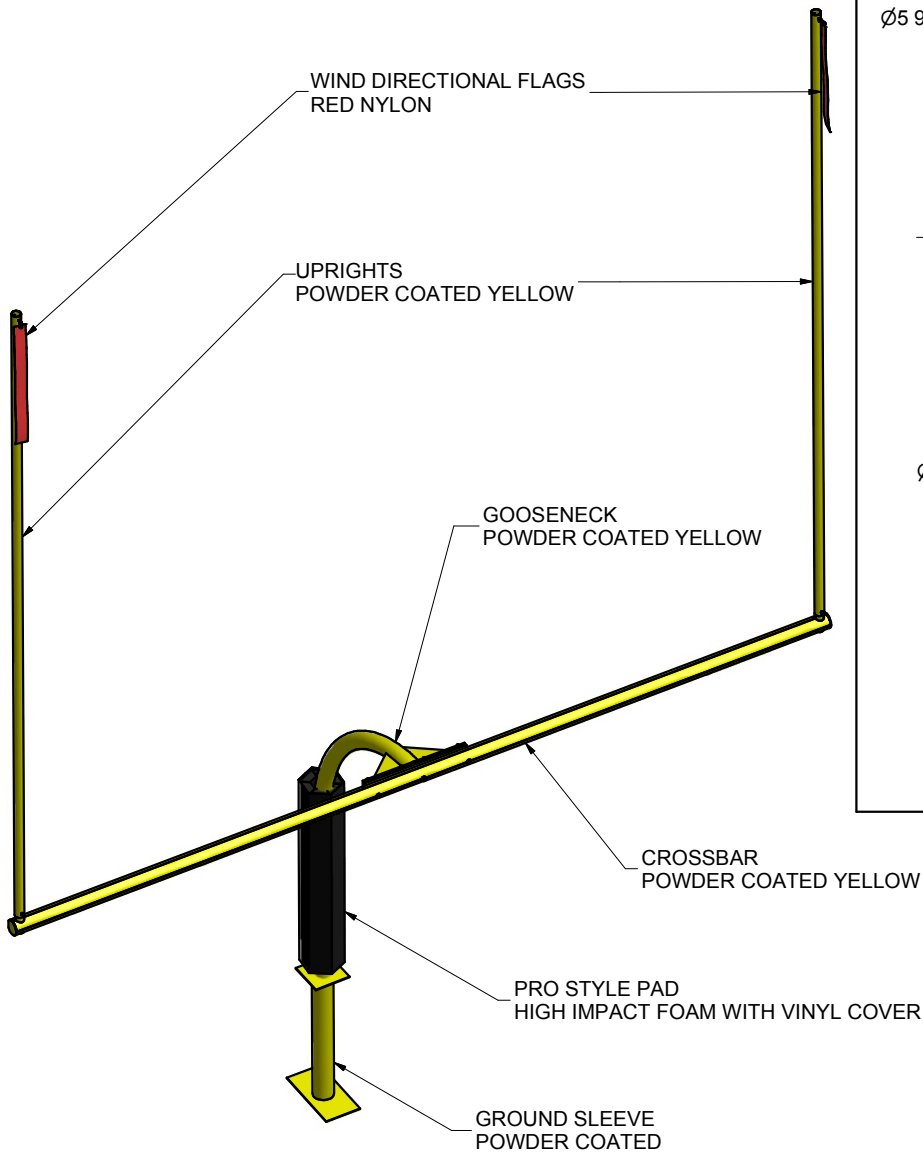
INTERSCHOLASTIC FOOTBALL GOAL WITH 5' GOOSENECK

Sheet: 2 of 4

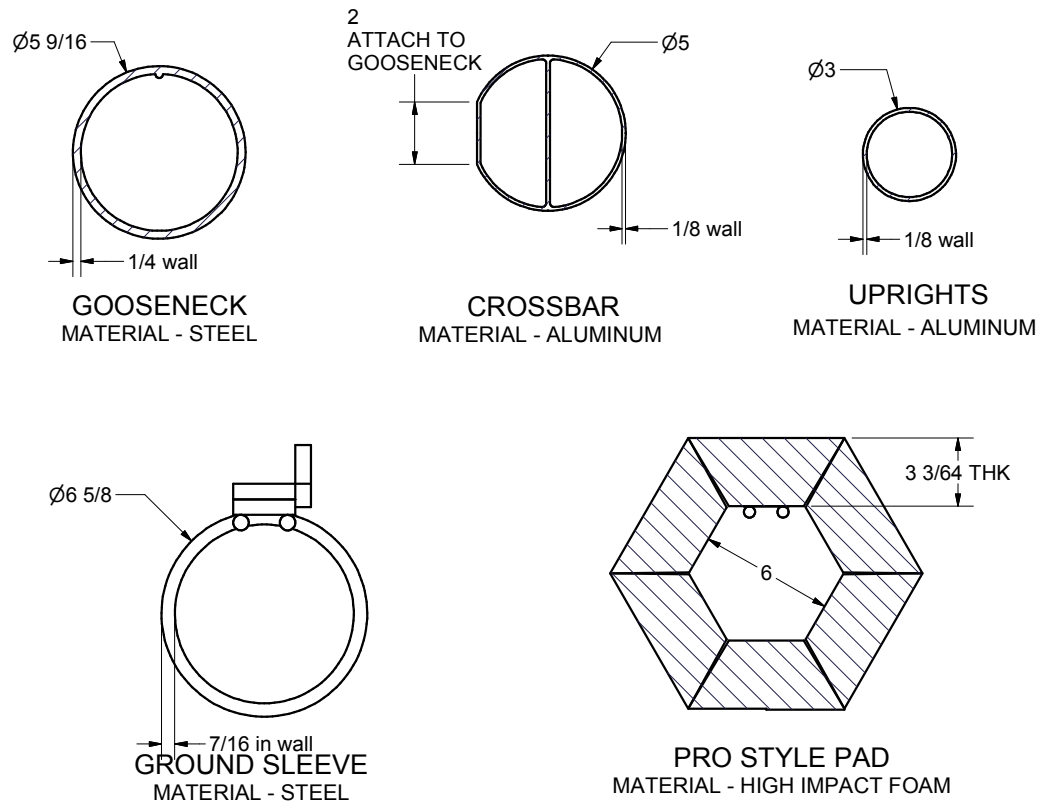
Revision #: 4

Cad File: 2D501.idw

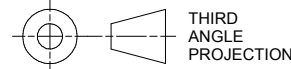
Finish Info.



MATERIAL DETAILS



Finish Info.



THIRD ANGLE PROJECTION

KWIKGOAL® 140 Pacific Drive
Quakertown, Pa. 18951

DIMENSIONS ARE IN INCHES UNLESS OTHERWISE SPECIFIED

Approved By:

Part #:

Date:

2D501

Drawn By: CSpeck

Date: 6/30/2001

Desc:

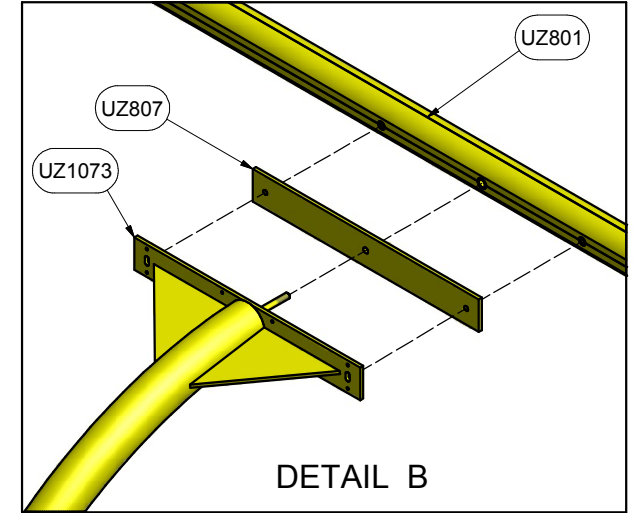
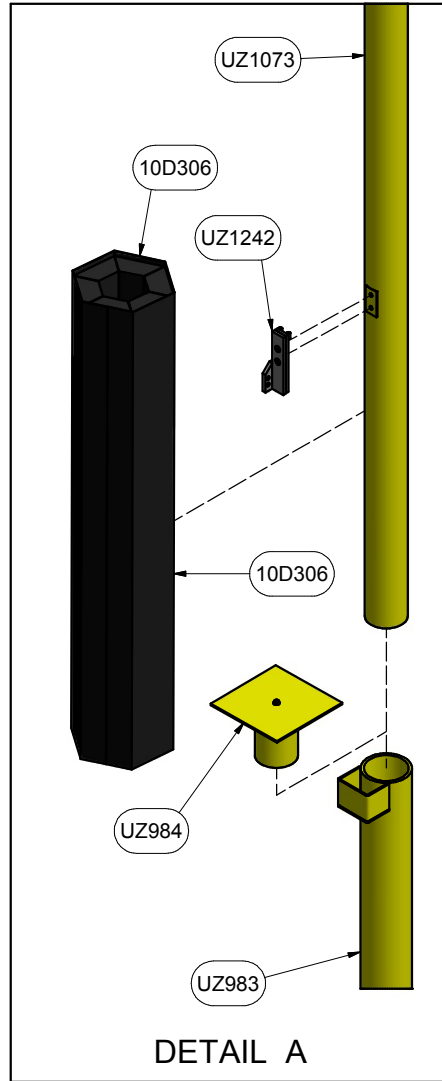
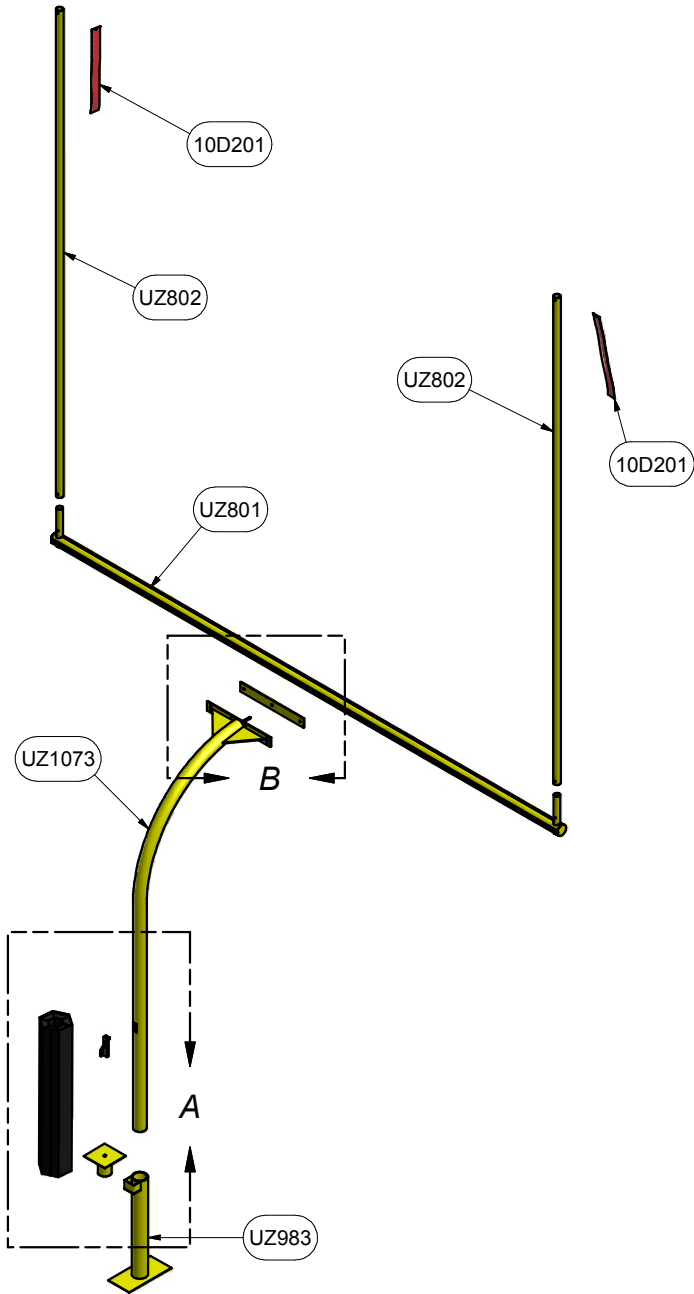
Sheet: 3 of 4

INTERSCHOLASTIC FOOTBALL GOAL WITH 5' GOOSENECK

Revision #: 4

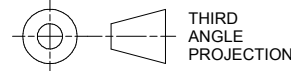
Cad File: 2D501.idw

This item is the **exclusive** property of **KWIK GOAL LTD.** Reproduction or duplication **without** the express written consent of **KWIK GOAL LTD.** is **strictly forbidden.**



Parts List		
Part #	Qty	Description
UZ1073	1	GOOSENECK ASSEMBLY, CUSTOM
UZ1242	1	ANTI-SPIN DEVICE
UZ801	1	RAIL, INTERSCHOLASTIC FOOTBALL GOALS
UZ802	2	2D282 UPRIGHT
UZ807	1	CROSSBAR PLATE, FOOTBALL GOALS
UZ983	1	GROUND SLEEVE, 2D401
UZ984	1	GROUND SLEEVE CAP, 2D401
10D201	2	WIND FLAG
10D306	1	6" PRO-STYLE FOOTBALL PAD

Finish Info.



THIRD ANGLE PROJECTION

DIMENSIONS ARE IN INCHES UNLESS OTHERWISE SPECIFIED

This item is the **exclusive** property of **KWIK GOAL LTD.** Reproduction or duplication **without** the express written consent of **KWIK GOAL LTD.** is **strictly forbidden.**



Approved By:

Date:

Drawn By: CSpeck

Date: 6/30/2001

Sheet: 4 of 4

Revision #: 4

Cad File: 2D501.idw

Part #: 2D501

Date:

Drawn By: CSpeck

Date: 6/30/2001

Sheet: 4 of 4

Revision #: 4

Cad File: 2D501.idw

Desc: INTERSCHOLASTIC FOOTBALL GOAL WITH 5' GOOSENECK