

FEATURES:

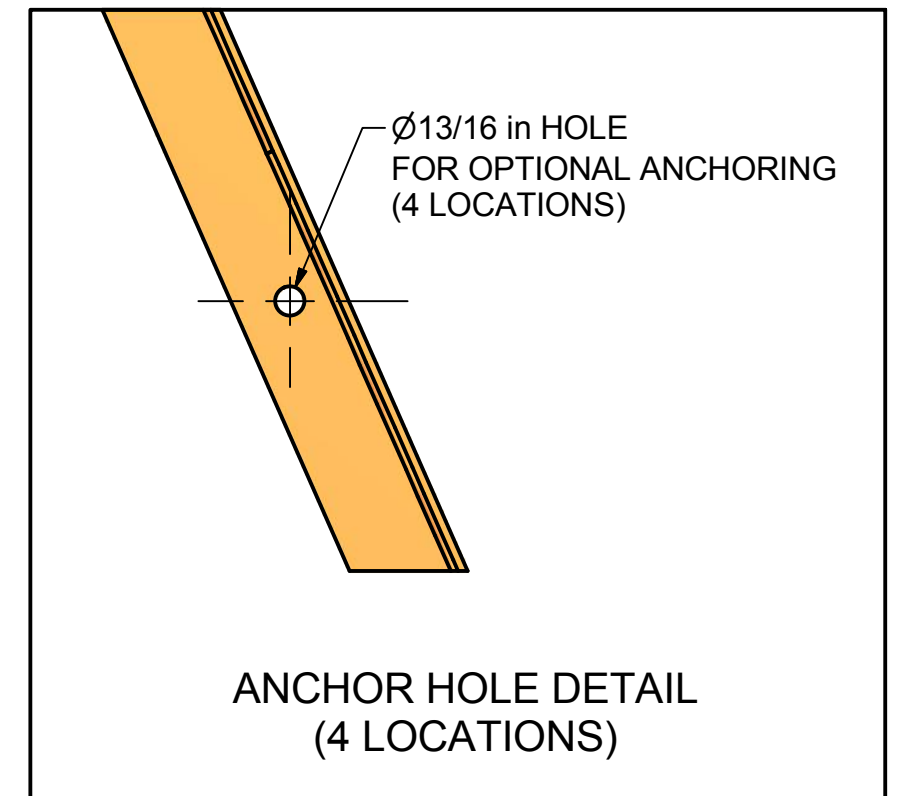
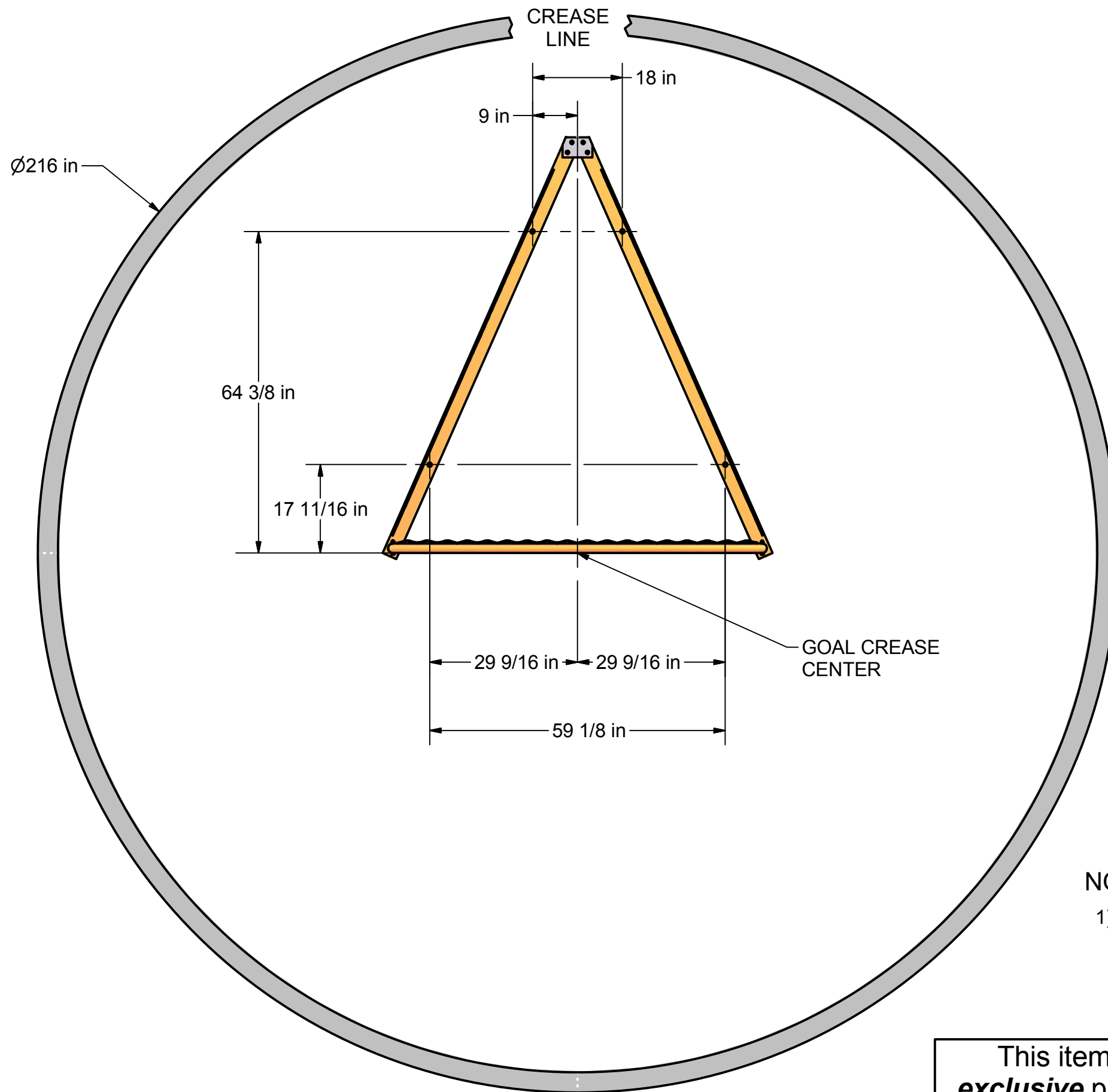
- 1) STEEL GOAL FRAME
- 2) FINISH: ORANGE POWDER COAT
- 3) INCLUDED:
 - 3 mm, WHITE NET
 - NET RAIL SYSTEM
 - FLAT BASE BARS
- 4) ASSEMBLED GOAL WEIGHT: 123 LBS.
- 5) EXCEEDS:
 - NCAA SPECIFICATIONS
 - NFSHSA SPECIFICATIONS

Finish Info.

This item is the **exclusive** property of **KWIK GOAL LTD.** Reproduction or duplication **without** the express written consent of **KWIK GOAL LTD.** is **strictly forbidden.**

		140 Pacific Drive Quakertown, Pa. 18951
Approved By:	2E201	
Date:		
Drawn By: BRush	Desc: 6' x 6' OFFICIAL LACROSSE GOAL	
Date: 5/12/2003		
Sheet: 1 of 4		
Revision #: 1		
Cad File: 2E201.idw		

OVERHEAD VIEW



NOTES:

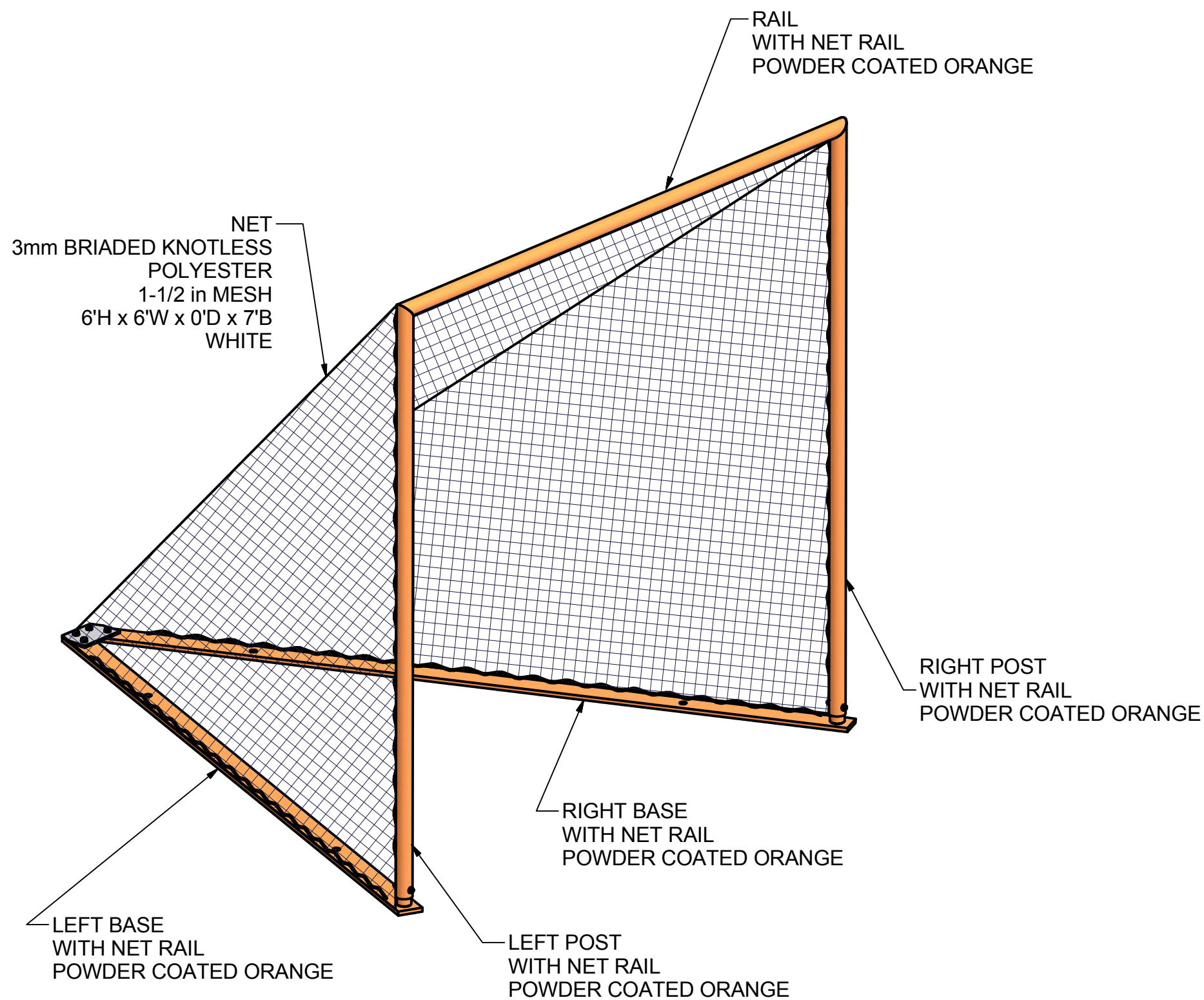
- 1) DIMENSIONS ARE FOR PLANNING PURPOSES. INSTALLATION MUST BE IN ACCORDANCE WITH INSTALLATION INSTRUCTIONS.

Finish Info.

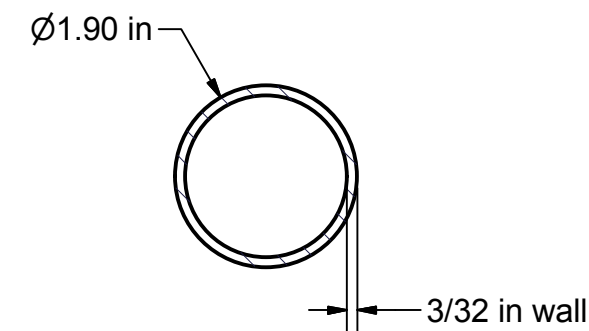
This item is the **exclusive** property of **KWIK GOAL LTD.** Reproduction or duplication **without** the express written consent of **KWIK GOAL LTD.** is **strictly forbidden.**

KWIKGOAL® 140 Pacific Drive
Quakertown, Pa. 18951

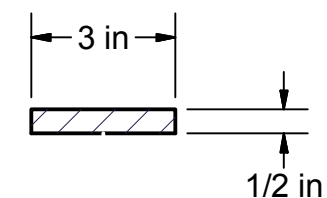
Approved By:	Part #:
Date:	2E201
Drawn By: BRush	
Date: 5/12/2003	Desc:
Sheet: 2 of 4	6' x 6'
Revision #: 1	OFFICIAL LACROSSE GOAL
Cad File: 2E201.idw	



MATERIAL DETAILS



POST & RAIL
MATERIAL - STEEL



BASE
MATERIAL - STEEL

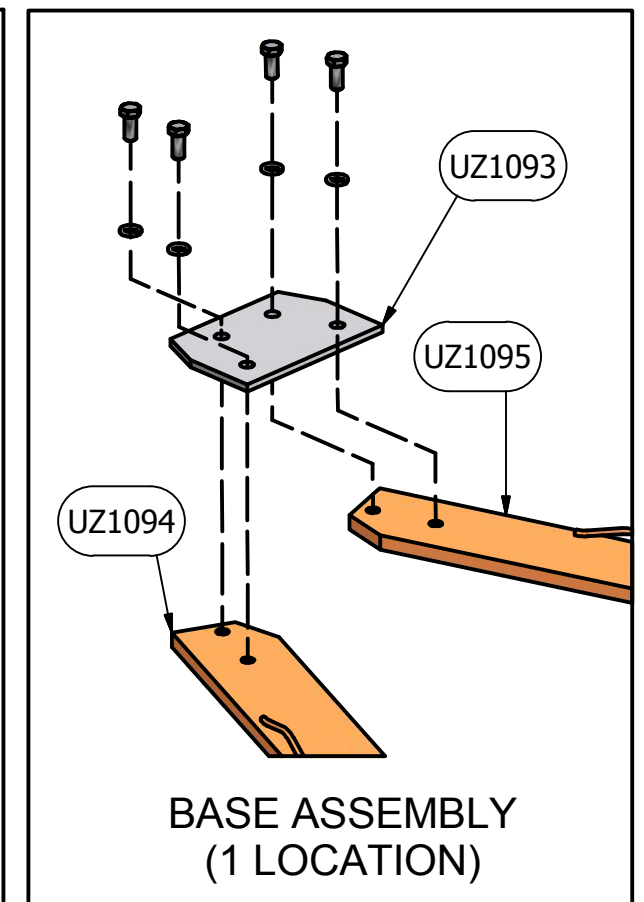
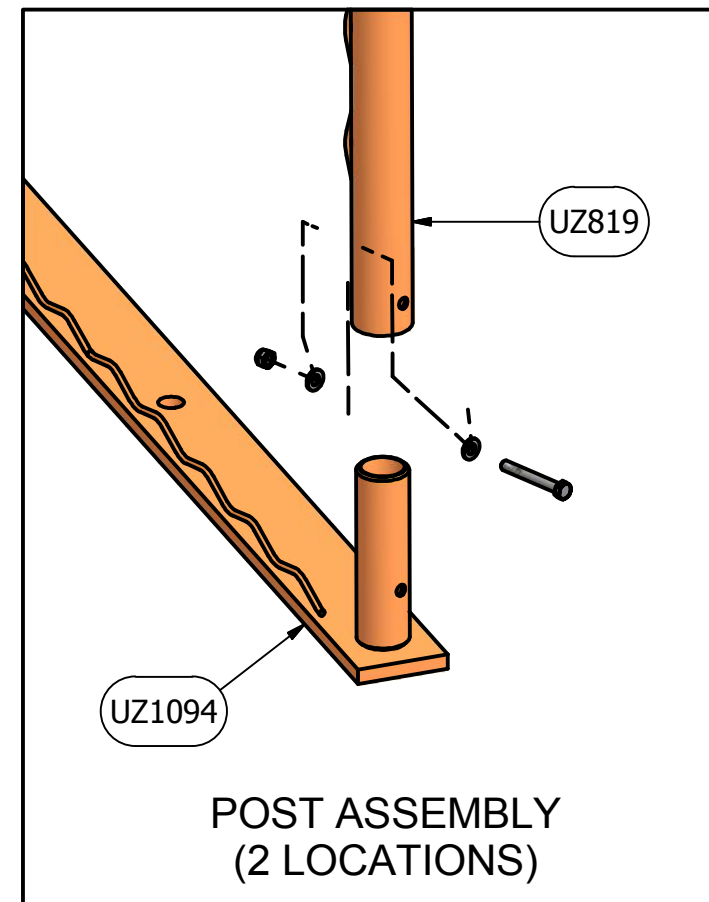
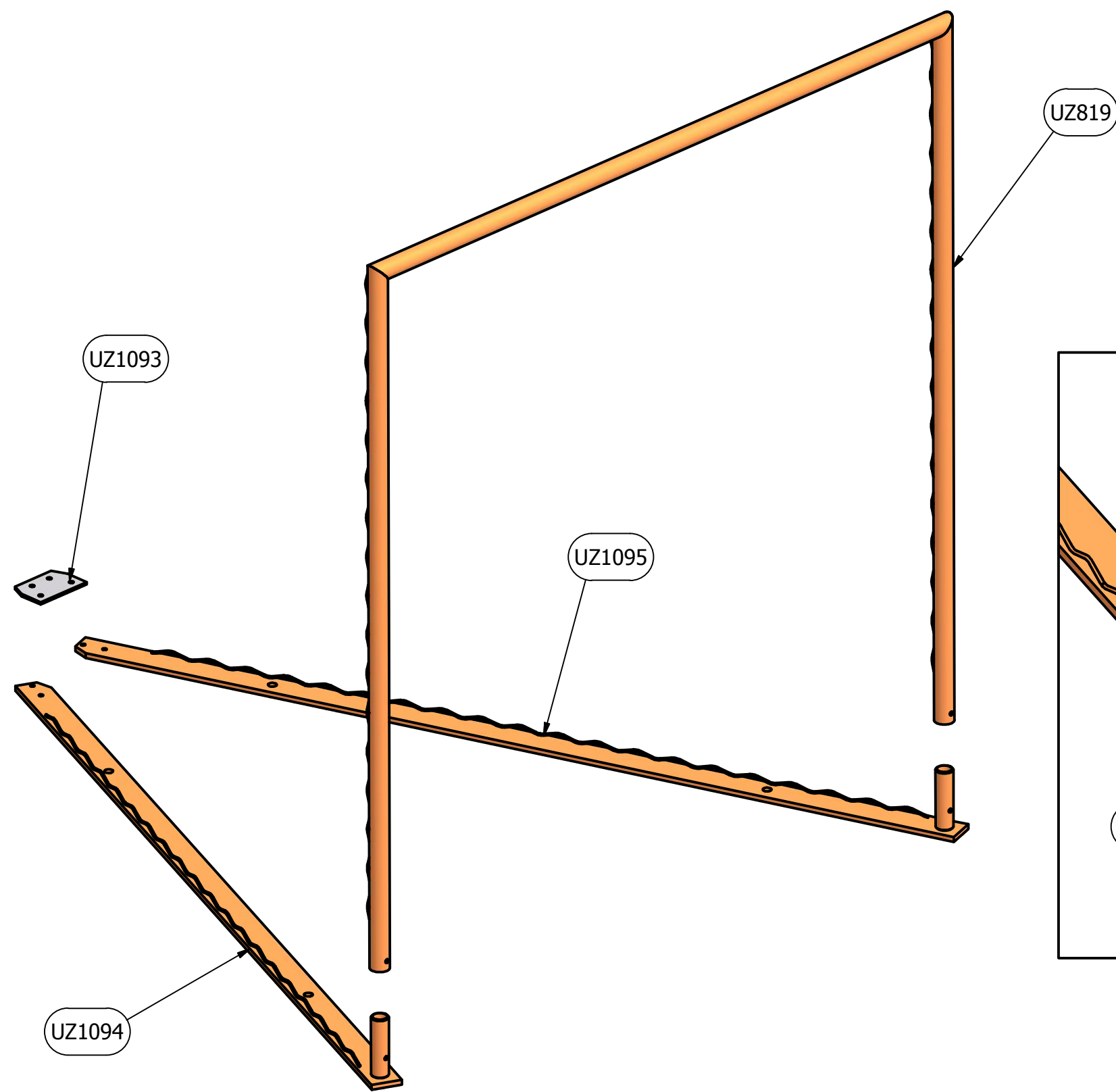
Finish Info.

This item is the **exclusive** property of **KWIK GOAL LTD.** Reproduction or duplication **without** the express written consent of **KWIK GOAL LTD.** is **strictly forbidden.**

KWIKGOAL® 140 Pacific Drive
Quakertown,
Pa. 18951

Approved By:	Part #:
Date:	2E201
Drawn By: BRush	Desc:
Date: 5/12/2003	6' x 6'
Sheet: 3 of 4	OFFICIAL LACROSSE GOAL
Revision #: 1	
Cad File: 2E201.idw	

Parts List		
Part #	Qty	Description
UZ819	1	2E201 Upright
UZ1093	1	CONNECTOR PLATE
UZ1095	1	2E201 BASE, RIGHT
UZ1094	1	2E201 BASE, LEFT
LCN-300	1	NET, 3MM ROPE, 1-1/2" MESH

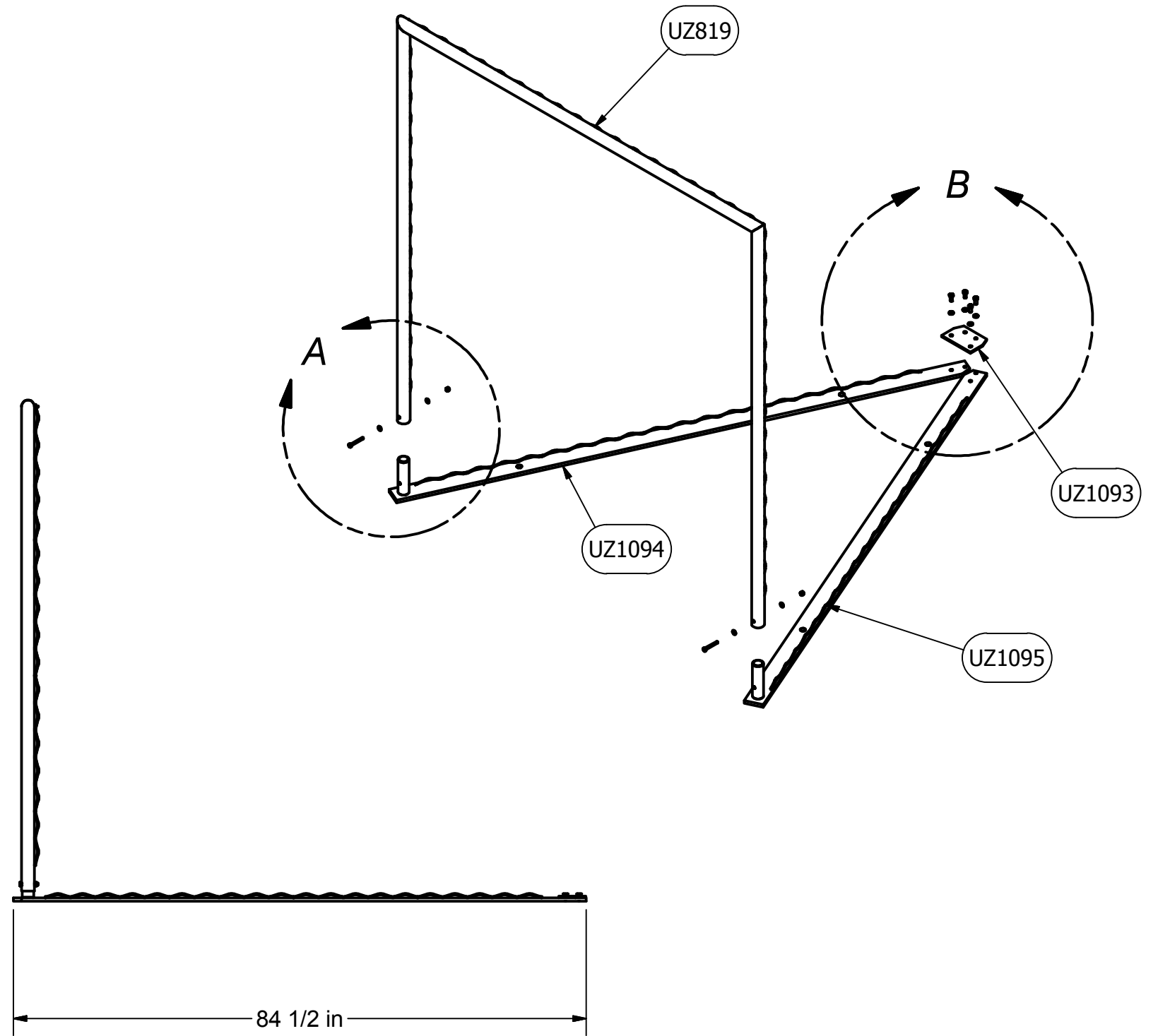
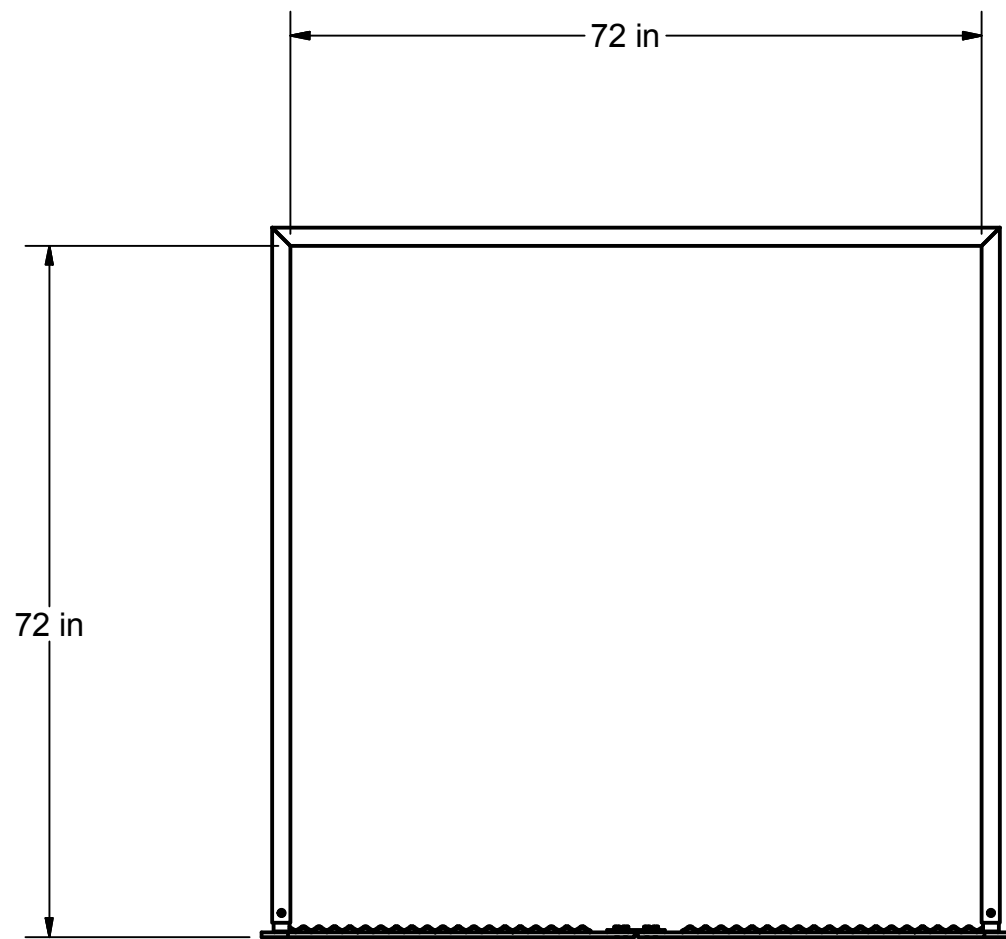


Finish Info.

This item is the **exclusive** property of **KWIK GOAL LTD.** Reproduction or duplication **without** the express written consent of **KWIK GOAL LTD.** is **strictly forbidden.**

KWIKGOAL® 140 Pacific Drive
Quakertown,
Pa. 18951

Approved By:	Part #: 2E201
Date:	
Drawn By: BRush	Desc: 6' x 6' OFFICIAL LACROSSE GOAL
Date: 5/12/2003	
Sheet: 4 of 4	
Revision #: 1	
Cad File: 2E201.idw	

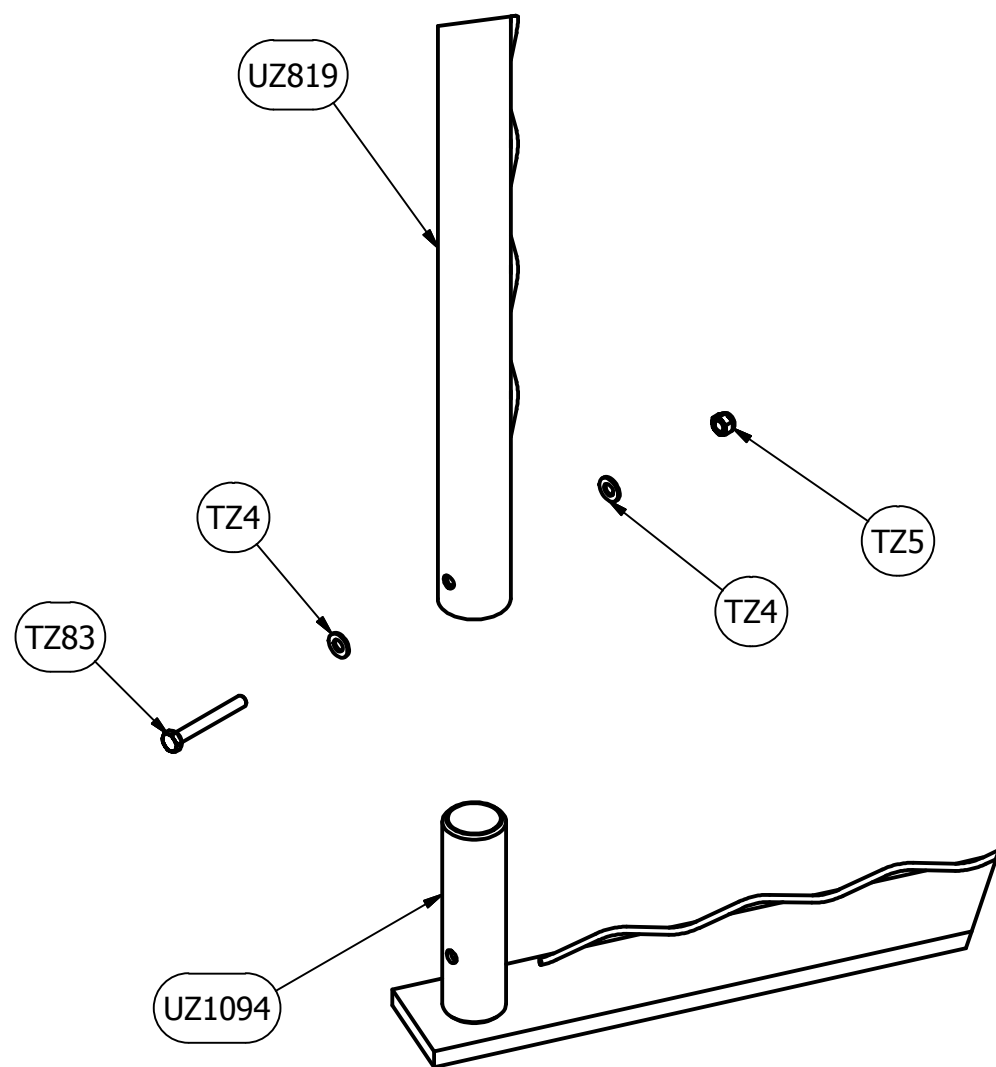


Finish Info.

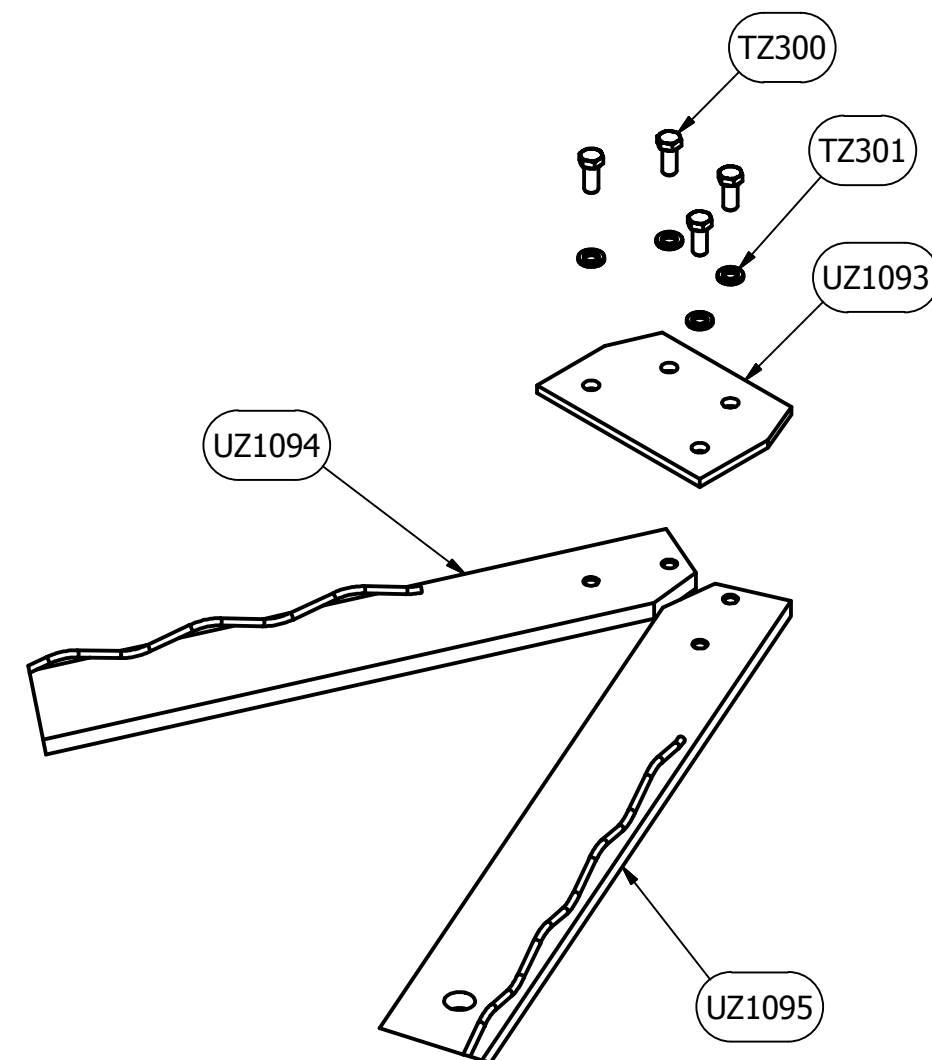
This item is the **exclusive** property of **KWIK GOAL LTD.** Reproduction or duplication **without** the express written consent of **KWIK GOAL LTD.** is **strictly forbidden.**

		140 Pacific Drive Quakertown, Pa. 18951	
		Approved By:	Part #:
Date:	2E201		
Drawn By: BRush			
Date: 5/12/2003	Desc:		
Sheet: of 4	6' x 6' OFFICIAL LACROSSE GOAL		
Revision #: 1			
Cad File: 2E201.idw			

Parts List			
Part #	Qty	Description	Material
UZ819	1	2E201 Upright	STEEL
UZ1095	1	2E201 BASE, RIGHT	STEEL
UZ1094	1	2E201 BASE, LEFT	STEEL
UZ1093	1	CONNECTOR PLATE	ALUMINUM
TZ83	2	5/16-18 x 2 1/2 Hex Bolt	Zinc Plated Steel
TZ5	2	5/16-18 Lock Nut	Zinc Plated Steel
TZ4	4	5/16 Flat Washer	Zinc Plated Steel
TZ301	4	3/8 Lock Washer	Zinc Plated Steel
TZ300	4	3/8-16 x 7/8 Hex Bolt	Zinc Plated Steel
LCN-300	1	NET, 3MM ROPE, 1-1/2" MESH	POLYESTER, WHITE



DETAIL A



DETAIL B

Finish Info.

This item is the **exclusive** property of **KWIK GOAL LTD.** Reproduction or duplication **without** the express written consent of **KWIK GOAL LTD.** is **strictly forbidden.**



Approved By:	Part #:
Date:	2E201
Drawn By: BRush	Desc:
Date: 5/12/2003	6' x 6'
Sheet: of 4	OFFICIAL LACROSSE GOAL
Revision #: 1	
Cad File: 2E201.idw	