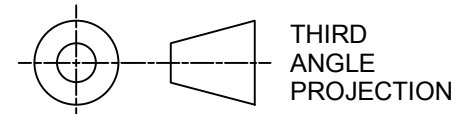


FEATURES:

- 1) STEEL GOAL FRAME
- 2) FINISH: ORANGE POWDER COAT
- 3) INCLUDED:
  - 3 mm, WHITE NET
- 4) ASSEMBLED GOAL WEIGHT: 90 LBS.
- 5) EXCEEDS:
  - NCAA SPECIFICATIONS
  - NFSHSA SPECIFICATIONS

**Finish Info.**



THIRD ANGLE PROJECTION

**KWIKGOAL**® 140 Pacific Drive  
Quakertown, Pa. 18951

DIMENSIONS ARE IN INCHES UNLESS OTHERWISE SPECIFIED

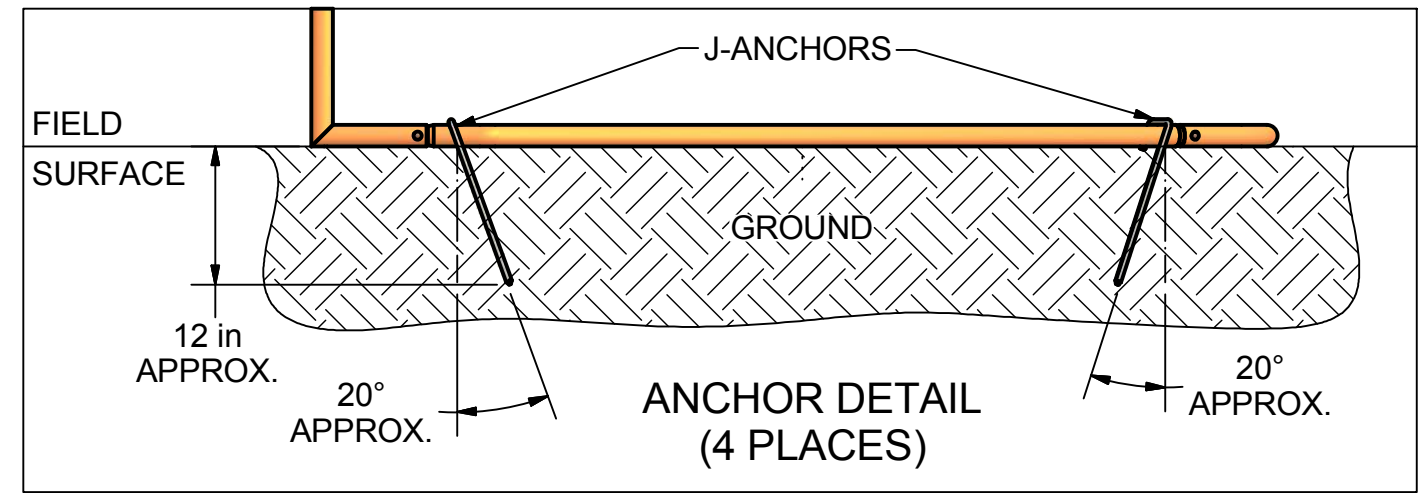
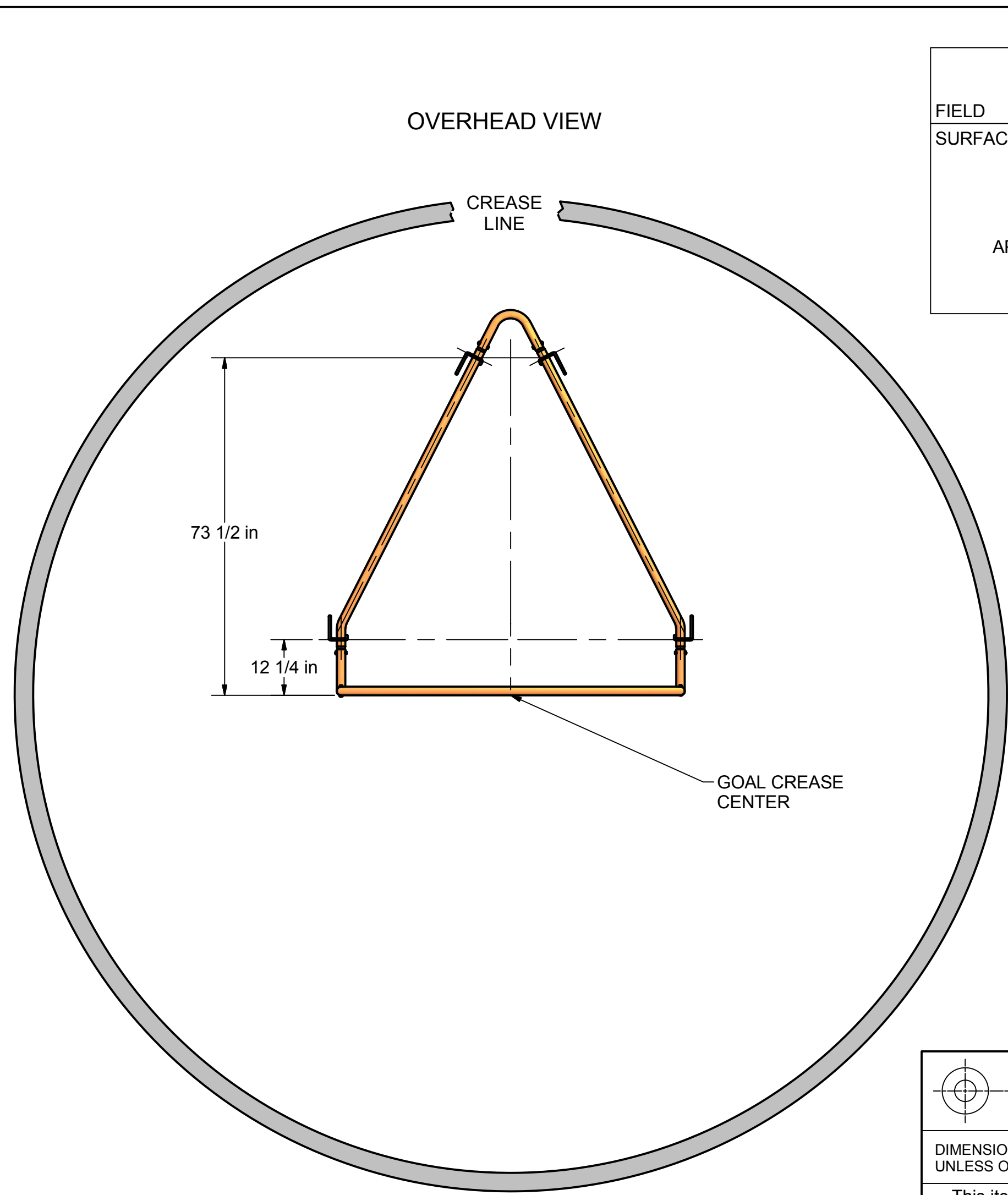
Approved By:  
Date:

Part #:  
**2E501**

This item is the **exclusive** property of **KWIK GOAL LTD.** Reproduction or duplication **without** the express written consent of **KWIK GOAL LTD.** is **strictly forbidden.**

Drawn By: cspeck  
Date: 8/5/2010  
Sheet: 1 of 4  
Revision #: 1  
Cad File: 2E501.idw

Desc:  
Lacrosse Goal Bolted

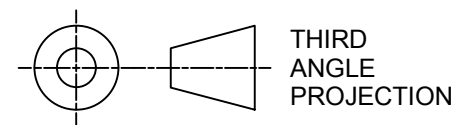
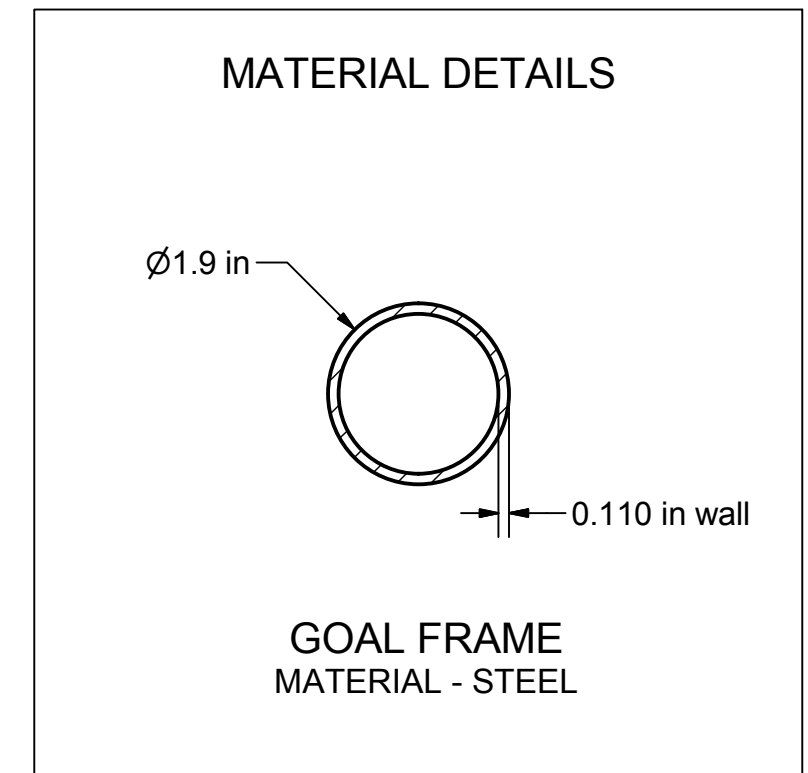
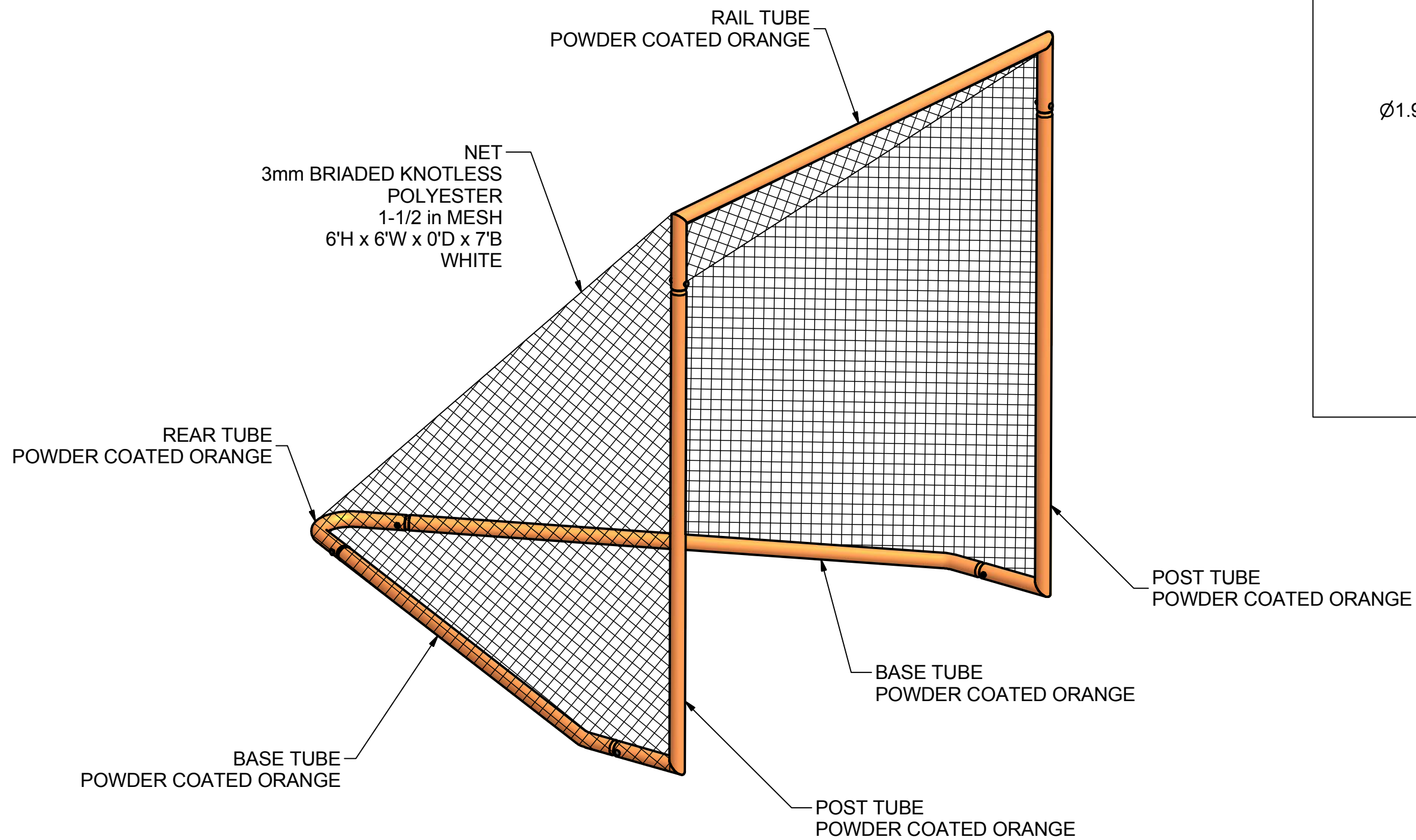


**NOTES:**

- 1) DIMENSIONS ARE FOR PLANNING PURPOSES. INSTALLATION MUST BE IN ACCORDANCE WITH INSTALLATION INSTRUCTIONS.

**Finish Info.**

<p>THIRD ANGLE PROJECTION</p>	<p>140 Pacific Drive Quakertown, Pa. 18951</p>	
	<p>DIMENSIONS ARE IN INCHES UNLESS OTHERWISE SPECIFIED</p>	<p>Approved By:</p> <p>Date:</p>
<p>This item is the <b>exclusive</b> property of <b>KWIK GOAL LTD.</b> Reproduction or duplication <b>without</b> the express written consent of <b>KWIK GOAL LTD.</b> is <b>strictly forbidden.</b></p>	<p>Drawn By: cspeck</p> <p>Date: 8/5/2010</p> <p>Sheet: 2 of 4</p> <p>Revision #: 1</p> <p>Cad File: 2E501.idw</p>	<p>Desc:</p> <p>Lacrosse Goal Bolted</p>



**KWIKGOAL**® 140 Pacific Drive  
Quakertown,  
Pa. 18951

DIMENSIONS ARE IN INCHES  
UNLESS OTHERWISE SPECIFIED

Approved By:  
Date:

Part #:  
**2E501**

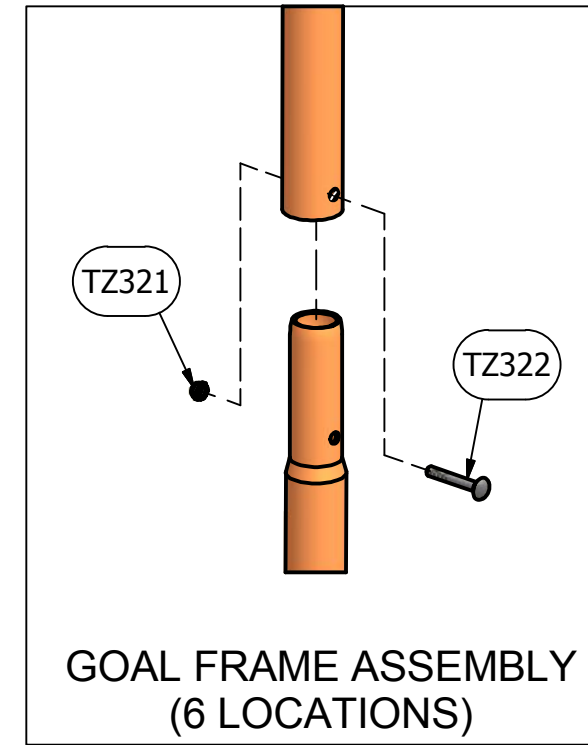
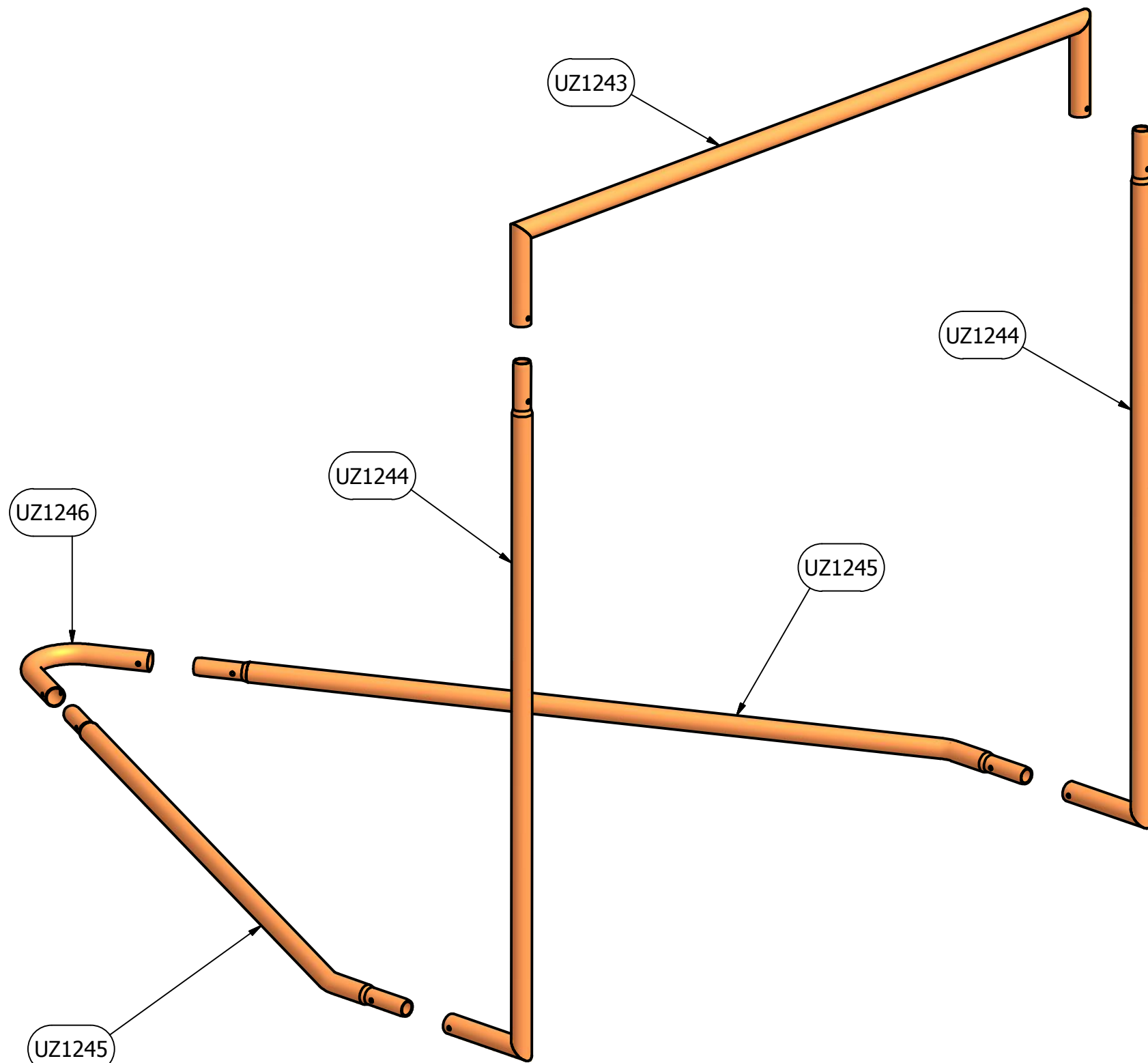
This item is the **exclusive**  
property of **KWIK GOAL LTD.**  
Reproduction or duplication  
**without** the express written  
consent of **KWIK GOAL LTD.**  
is **strictly forbidden.**

Drawn By: cspeck  
Date: 8/5/2010  
Sheet: 3 of 4  
Revision #: 1  
Cad File: 2E501.idw

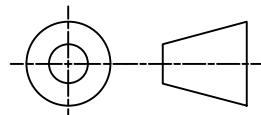
Desc:  
Lacrosse Goal Bolted


**Finish Info.**

Parts List		
Part #	Qty	Description
UZ1246	1	REAR CONNECTOR TUBE
UZ1245	2	RIGHT BASE TUBE
UZ1244	2	FRONT POST TUBE
UZ1243	1	TOP TUBE
UZ1029	4	ANCHOR PEG, J-STYLE
TZ322	6	5/16-18 x 2 1/4 Carriage Bolt
TZ321	6	5/16-18 Thin Lock Nut
LCN-300	1	NET, 3MM ROPE, 1 1/2" MESH



**Finish Info.**


 THIRD ANGLE PROJECTION  
 DIMENSIONS ARE IN INCHES UNLESS OTHERWISE SPECIFIED  
 This item is the **exclusive** property of **KWIK GOAL LTD.** Reproduction or duplication **without** the express written consent of **KWIK GOAL LTD.** is **strictly forbidden.**


**KWIKGOAL**® 140 Pacific Drive  
 Quakertown, Pa. 18951

Approved By:	Part #: <b>2E501</b>
Date:	
Drawn By: cspeck	Desc: Lacrosse Goal Bolted
Date: 8/5/2010	
Sheet: 4 of 4	
Revision #: 1	
Cad File: 2E501.idw	