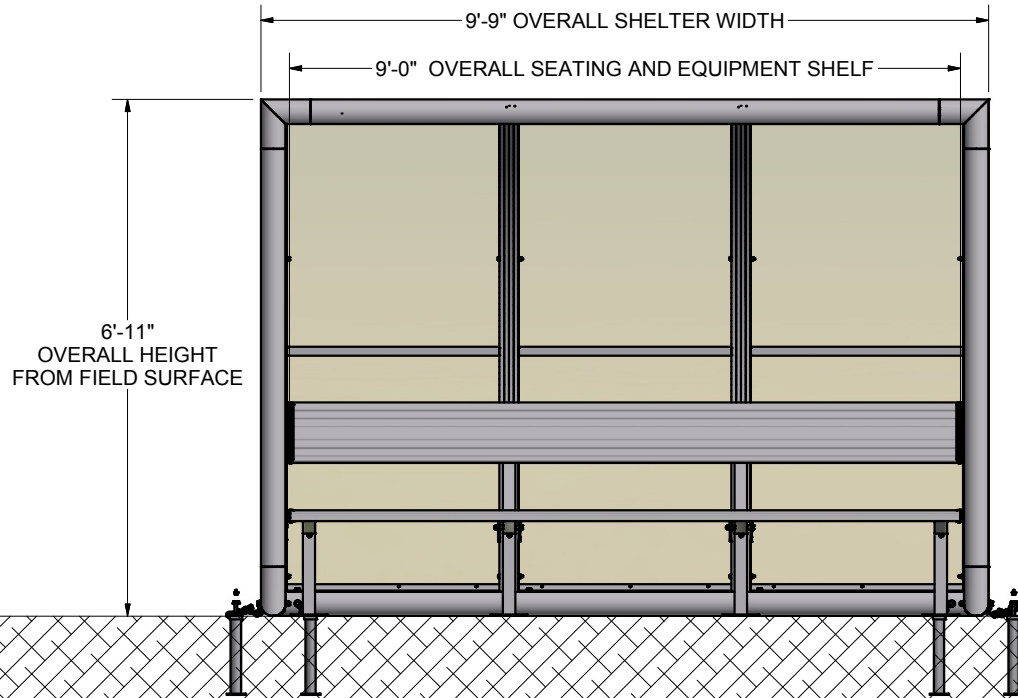
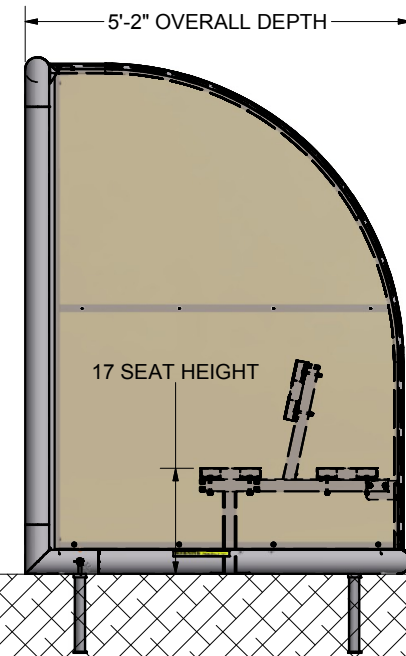


FRONT VIEW



SIDE VIEW



GROUND

FEATURES:

1) MATERIAL:

ALUMINUM - FRAME, PANEL FRAMES AND BENCH PLANKS
SMOKE COLORED LEXAN® POLYCARBONATE PANELS

2) FINISH:

FRAME - POWDER COATED IN CHOICE OF COLOR
LEXAN - UV RESISTANT COATING
BENCH PLANKS - CLEAR ANODIZED
BENCH FRAMES - PLAIN ALUMINUM

3) INCLUDED:

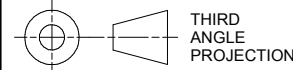
9' BENCH WITH EQUIPMENT SHELF
SEMI PERMANENT GROUND ANCHORS (4)

4) ASSEMBLED WEIGHT: 396 LBS.

Finish Info.

WARNING

THIS EQUIPMENT MUST BE STORED IN A SECURE, SHELTERED AREA WHEN NOT IN USE OR IN THE THREAT OF HIGH WINDS. ANY WEATHER DAMAGE TO THIS EQUIPMENT WILL NOT BE COVERED UNDER KWIK GOAL'S LIFETIME GUARANTEE. DO NOT LEAVE THIS EQUIPMENT UNATTENDED.



THIRD
ANGLE
PROJECTION

KWIKGOAL® 140 Pacific Drive
Quakertown,
Pa. 18951

DIMENSIONS ARE IN INCHES
UNLESS OTHERWISE SPECIFIED

This item is the **exclusive** property of **KWIK GOAL LTD.** Reproduction or duplication **without** the express written consent of **KWIK GOAL LTD.** is **strictly forbidden.**

Approved By:

Date:

Drawn By: cspeck

Date: 7/27/2009

Sheet: 1 of 4

Revision #: 1

Cad File: 9B1101.idw

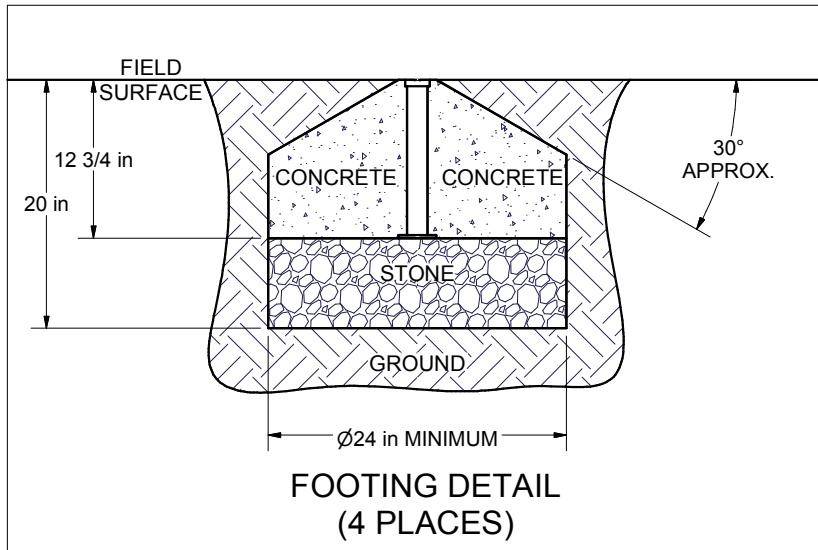
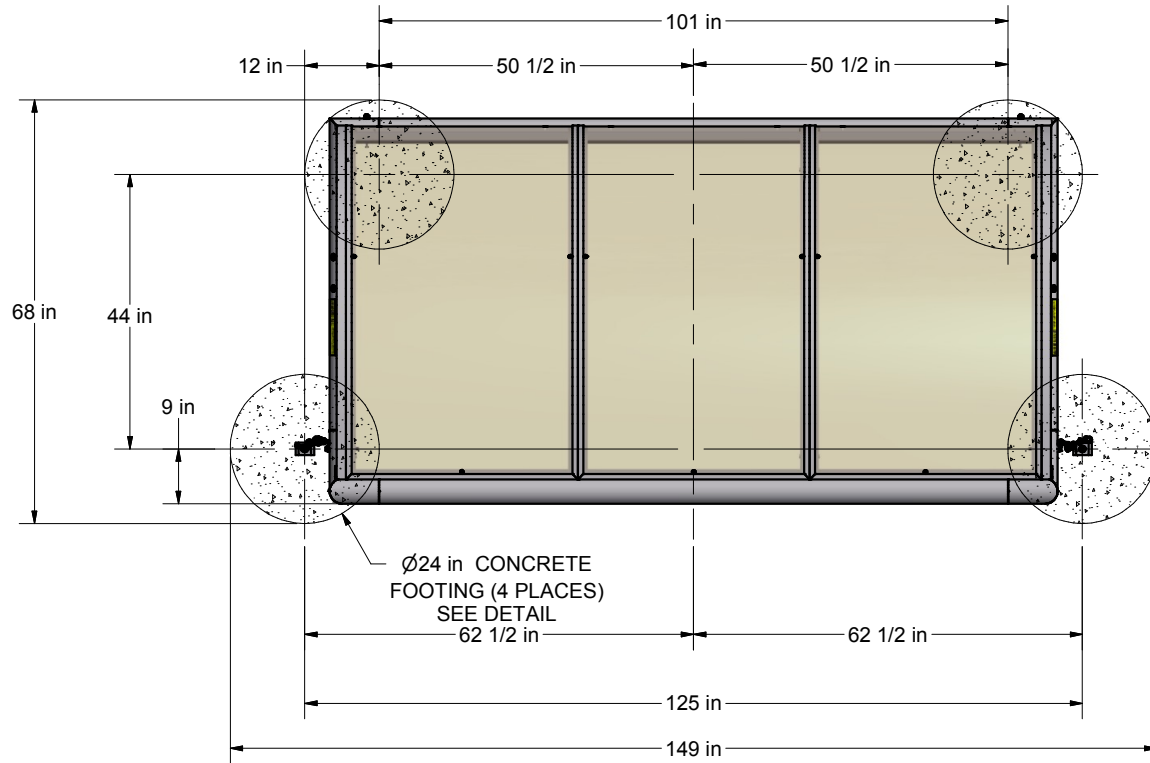
Part #:

9B1101

Desc:

ELITE REFEREE SHELTER

TOP VIEW

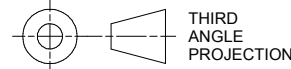


NOTES:

1) DIMENSIONS ARE FOR PLANNING PURPOSES. INSTALLATION MUST BE IN ACCORDANCE WITH INSTALLATION INSTRUCTIONS.

MATERIAL REQUIRED, BUT **NOT** SUPPLIED

0.5 cubic yard - CONCRETE
 0.3 cubic yard - CLEAN STONE (1/4" - 3/4")
 ABOVE AMOUNTS ARE PER UNIT INSTALLATION



THIRD ANGLE PROJECTION

KWIKGOAL® 140 Pacific Drive
 Quakertown, Pa. 18951

DIMENSIONS ARE IN INCHES UNLESS OTHERWISE SPECIFIED

Approved By:

Part #:

Date:

9B1101

This item is the **exclusive** property of **KWIK GOAL LTD.** Reproduction or duplication **without** the express written consent of **KWIK GOAL LTD.** is **strictly forbidden.**

Drawn By: cspeck

Date: 7/27/2009

Desc:

Sheet: 2 of 4

ELITE REFEREE SHELTER

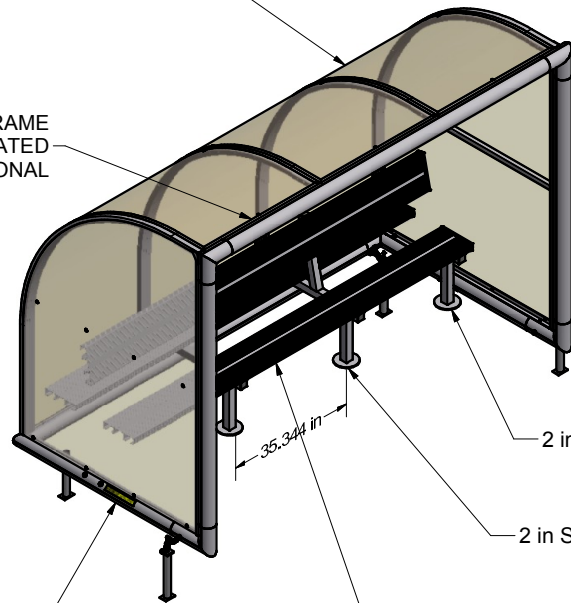
Revision #: 1

Cad File: 9B1101.idw

Finish Info.

LEXAN® PANEL
1/8 in thk SMOKE COLORED
WITH UV PROTECTIVE COATING

CROSSBAR FRAME
POWDER COATED
COLOR - OPTIONAL



UPRIGHT FRAME
POWDER COATED
COLOR - OPTIONAL

SEAT SUPPORT (2)
2 in SQUARE ALUMINUM TUBE
PLAIN FINISH

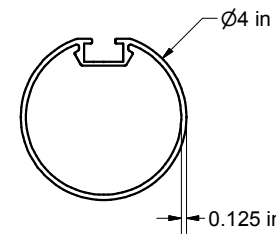
BENCH FRAMES (2)
2 in SQUARE ALUMINUM TUBE
PLAIN FINISH

BENCH PLANKS (3)
CLEAR ANODIZED

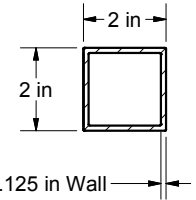
GROUND FRAME
POWDER COATED
COLOR - OPTIONAL

35.344 in

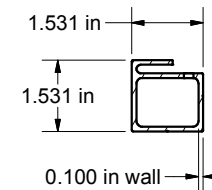
MATERIAL DETAILS



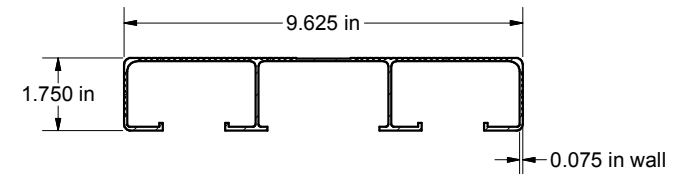
FRAME
MATERIAL - ALUMINUM



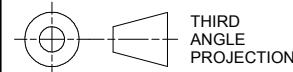
BENCH FRAME &
SEAT SUPPORT
MATERIAL - ALUMINUM



PANEL FRAME
MATERIAL - ALUMINUM



SEAT, BACK & SHELF BENCH PLANK
MATERIAL - ALUMINUM



THIRD
ANGLE
PROJECTION

KWIKGOAL® 140 Pacific Drive
Quakertown,
Pa. 18951

DIMENSIONS ARE IN INCHES
UNLESS OTHERWISE SPECIFIED

This item is the **exclusive**
property of **KWIK GOAL LTD.**
Reproduction or duplication
without the express written
consent of **KWIK GOAL LTD.**
is **strictly forbidden.**

Approved By:

Date:

Drawn By: cspeck

Date: 7/27/2009

Sheet: 3 of 4

Revision #: 1

Cad File: 9B1101.idw

Part #:

9B1101

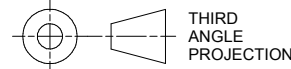
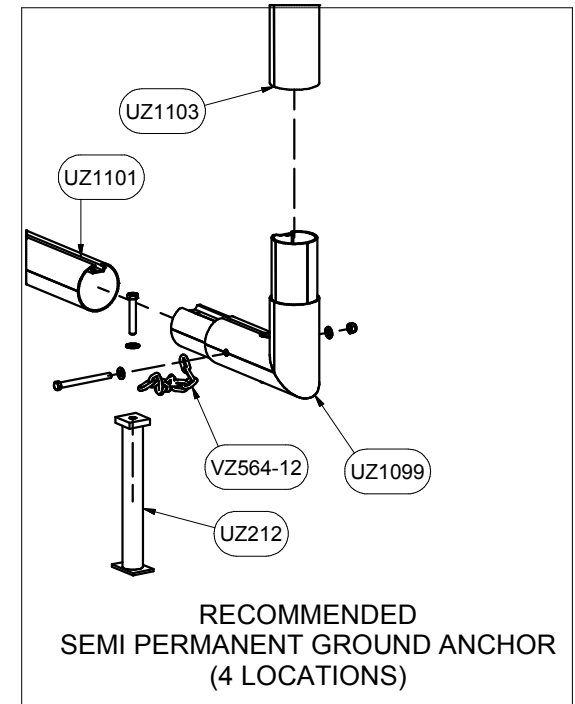
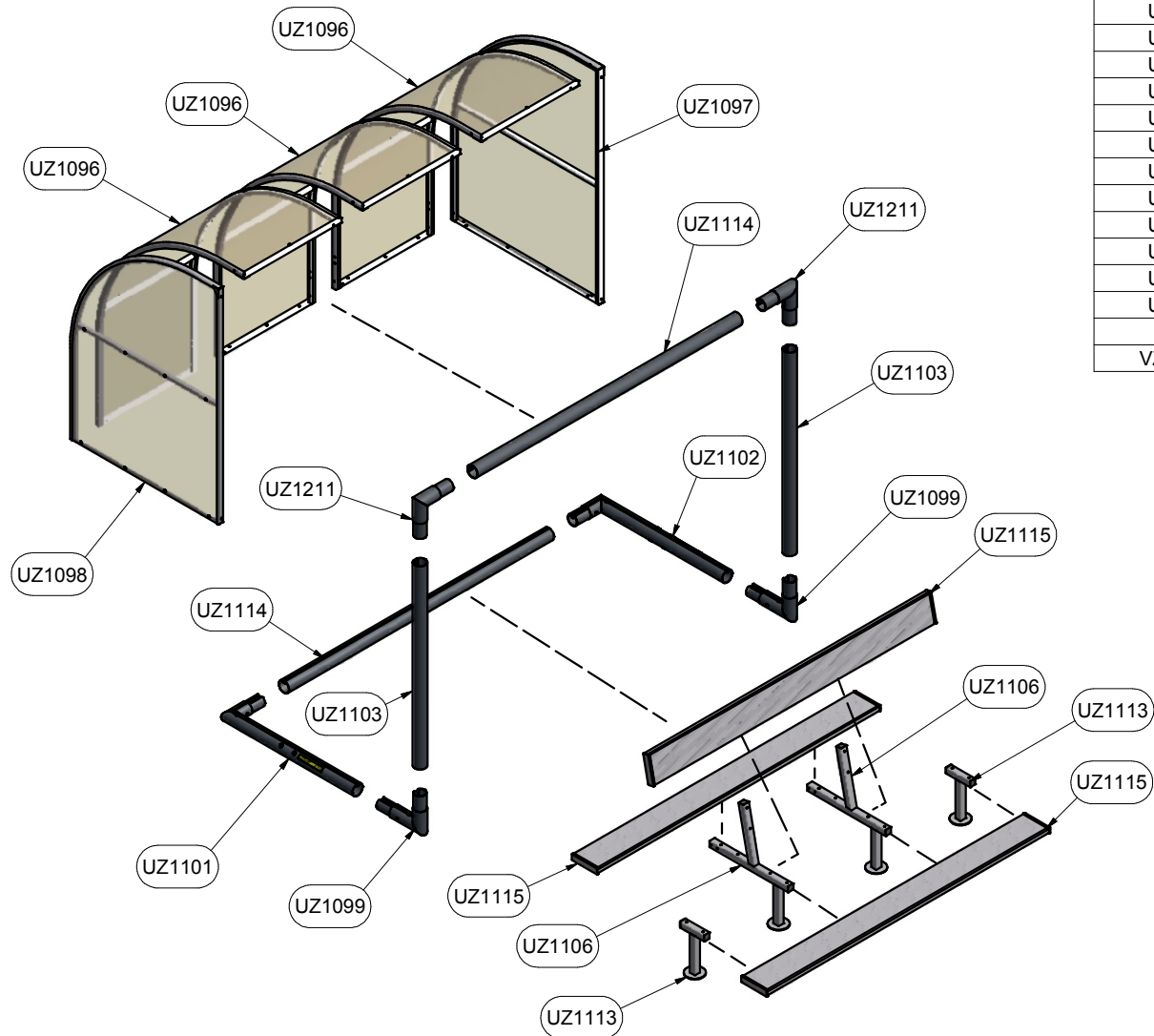
Desc:

ELITE REFEREE SHELTER

Finish Info.

Parts List

Part #	Qty	Description
UZ1103	2	POST, 4 RND V-TRACK2
UZ1099	2	POST CORNER, 4 RND V-TRACK2
UZ1102	1	BASE, SHELTER, 4 RND V-TRACK2 - RIGHT
UZ1101	1	BASE, SHELTER, 4 RND V-TRACK2 - LEFT
UZ1114	2	RAIL, 4 RND V-TRACK2
UZ1211	2	RAIL CORNER, 4 RND V-TRACK2
UZ1096	3	PANEL, REAR, 9B1001
UZ1097	1	SHELTER PANEL, RIGHT
UZ1098	1	SHELTER PANEL, LEFT
UZ1106	2	BENCH FRAME
UZ1113	2	9B1001 BENCH SUPPORT
UZ1115	3	BENCH SEAT (9')
UZ212	4	GROUND ANCHOR ASSEMBLY
VZ564-12	4	1/4" Chain X 12- 1/2" OAL



THIRD ANGLE PROJECTION

KWIKGOAL® 140 Pacific Drive
Quakertown, Pa. 18951

DIMENSIONS ARE IN INCHES UNLESS OTHERWISE SPECIFIED

This item is the **exclusive** property of **KWIK GOAL LTD.** Reproduction or duplication **without** the express written consent of **KWIK GOAL LTD.** is **strictly forbidden.**

Approved By:
Date:
Drawn By: cspeck
Date: 7/27/2009
Sheet: 4 of 4
Revision #: 1
Cad File: 9B1101.idw

Part #:
9B1101
Desc:
ELITE REFEREE SHELTER

Finish Info.