



All Kwik Goal products carry a **Lifetime Guarantee**. For help with guarantee issues, visit kwikgoal.com and click on the **Lifetime Guarantee** logo or contact customer service at 1-800-531-4252.

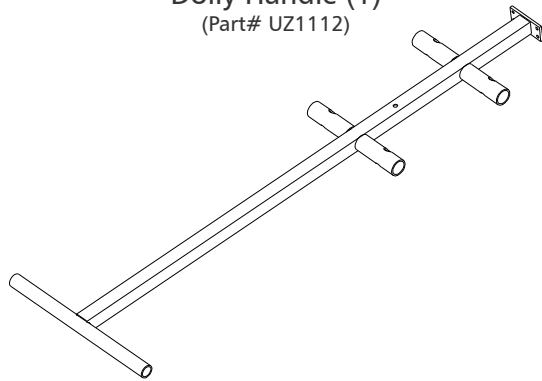
ASSEMBLY INSTRUCTIONS FOR 9B1201 ELITE SHELTER DOLLY

SHELTERS MUST BE ANCHORED AT ALL TIMES WITH PERMANENT GROUND ANCHORS.

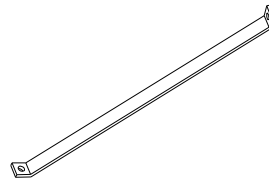
1. Unpack all parts and check for damage that may have occurred during shipping. If damage has occurred, notify trucking company immediately. Lay out all parts. Remove all cardboard and packaging immediately. Wet or damp packaging may damage contents.
2. Read through entire instruction before beginning assembly and installation.

Parts

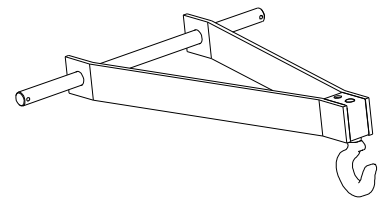
Dolly Handle (1)
(Part# UZ1112)



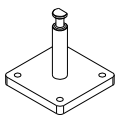
Handle Support Brace (1)
(Part# UZ1110)



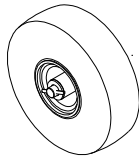
Dolly Axle Assembly (1)
(Part# UZ1111)



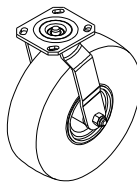
Swivel Tire Mount Assembly (4)
(Part# UZ1104)



Dolly Tire (2)
(Part# VZ421)



Swivel Tire (4)
(Part# VZ541)



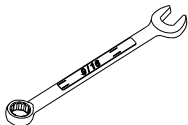
Hardware

Note: Hardware may be packaged separately in one or more boxes. Open all packages before beginning assembly.

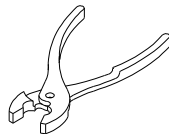
- 3/16" X 1 1/2" Cotter Pin (Part# Tz310) (2)
- 1/4" U-Bolt (Part# TZ309) (2)
- 1/4" Flat Washer (Part# TZ147) (4)
- 1/4" Lock Nut (Part# TZ19) (4)
- 5/16" X 1 1/4" Hex Bolt (Part# TZ311) (16)
- 5/16" Flat Washer (Part# TZ4) (16)
- 5/16" Lock Nut (Part# TZ5) (16)
- 3/8" X 2 1/2" Hex Bolt (Part# TZ165) (1)
- 3/8" X 3" Hex Bolt (Part# TZ325) (1)
- 3/8" Flat Washer (Part# TZ189) (4)
- 3/8" Lock Nut (Part# TZ197) (2)
- 3/4" Flat Washer (Part# TZ2) (4)

Assembly Tools

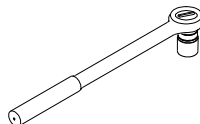
7/16", 1/2" & 9/16" Wrenches



Pliers



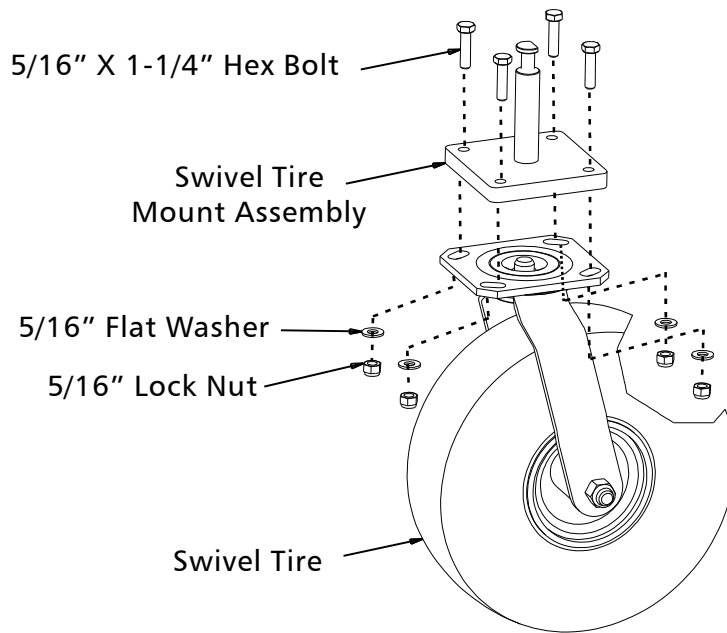
Ratchet with 7/16", 1/2" & 9/16" Sockets



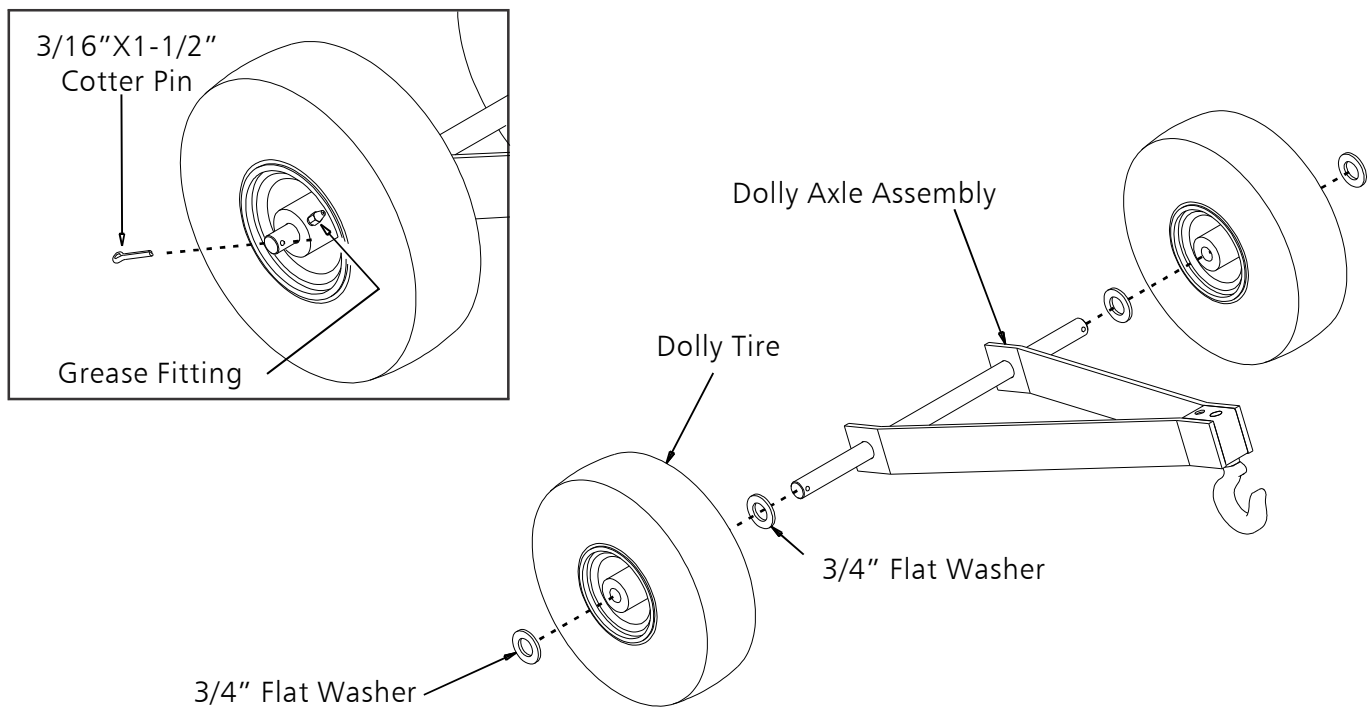
WARNING DISASSEMBLE OR STORE IN SHELTERED AREA DURING THREAT OF HIGH WINDS

140 Pacific Drive Quakertown, PA 18951
(P) 215- 536-2200 / (P) 800-531-4252 / (F) 215-536-4309 / (F) 800-778-8869
Visit our website @ kwikgoal.com

3. Assemble all 4 swivel tires as shown.

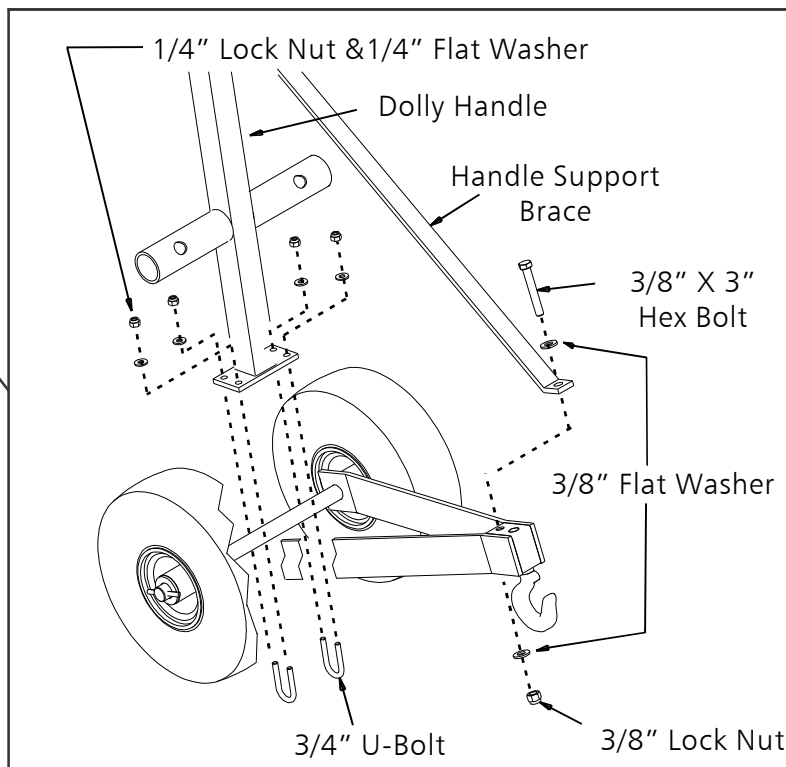
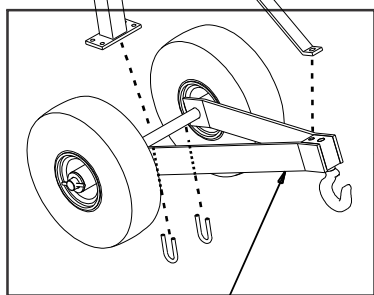
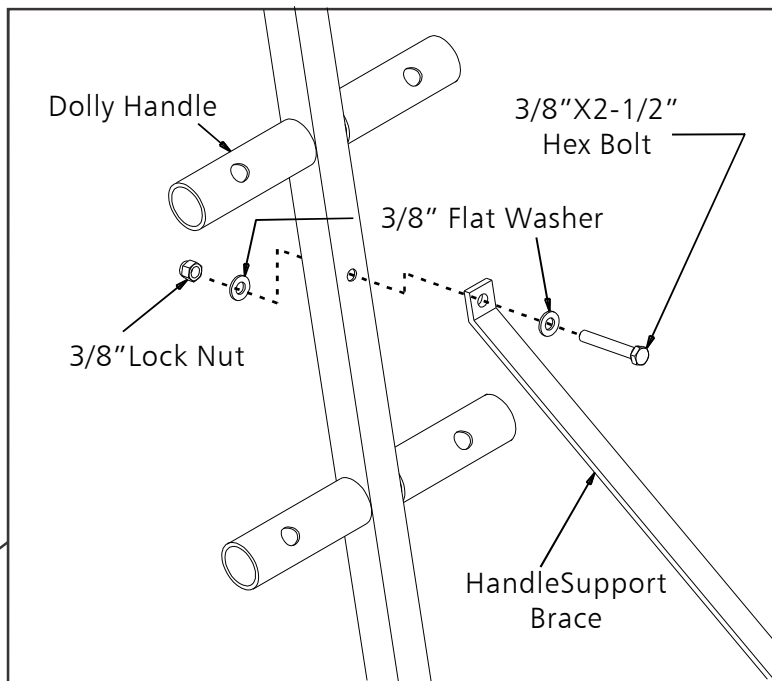
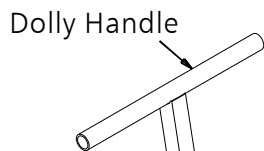


4. Attach tires to dolly axle assembly and secure on axle with cotter pin.
Be sure that grease fittings are facing out. Apply 5 "pumps" of grease to the grease fitting on each of the six tires.



WARNING DISASSEMBLE OR STORE IN SHELTERED AREA DURING THREAT OF HIGH WINDS

5. Complete the assembly of dolly as shown but do NOT tighten bolt until all parts are attached. Note the orientation of holes in dolly handle.



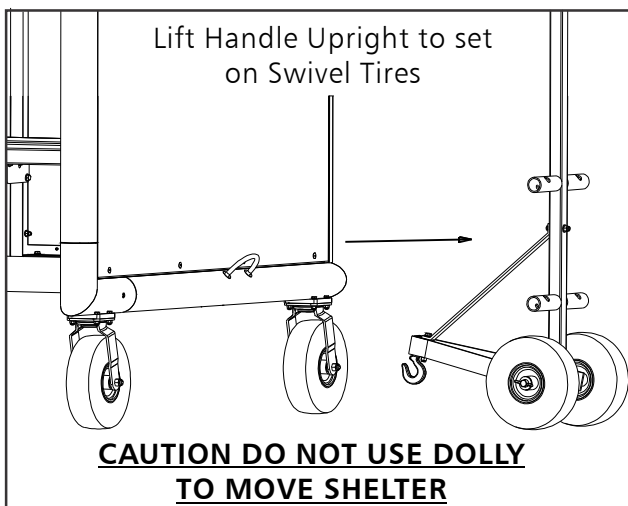
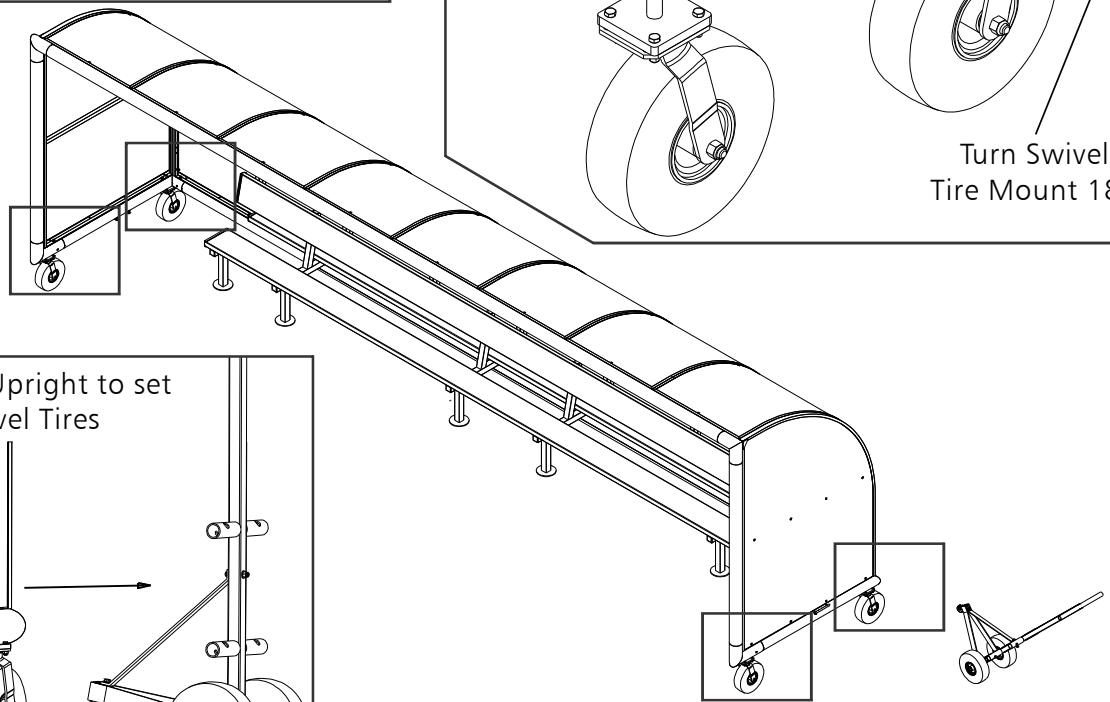
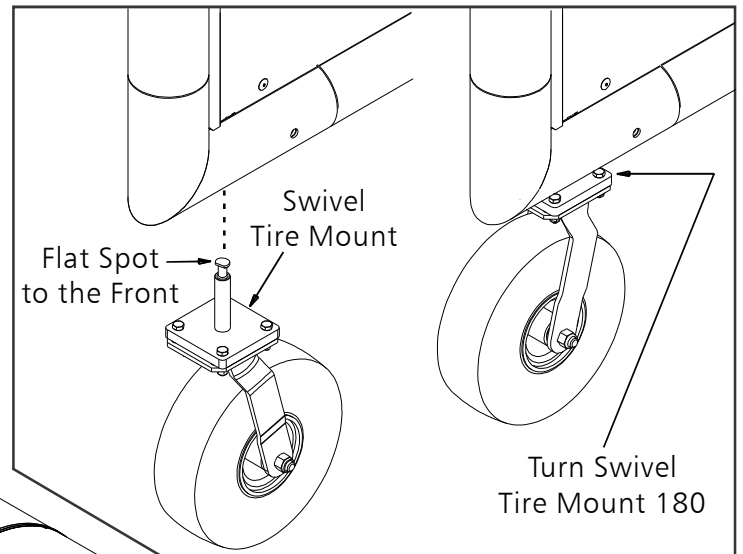
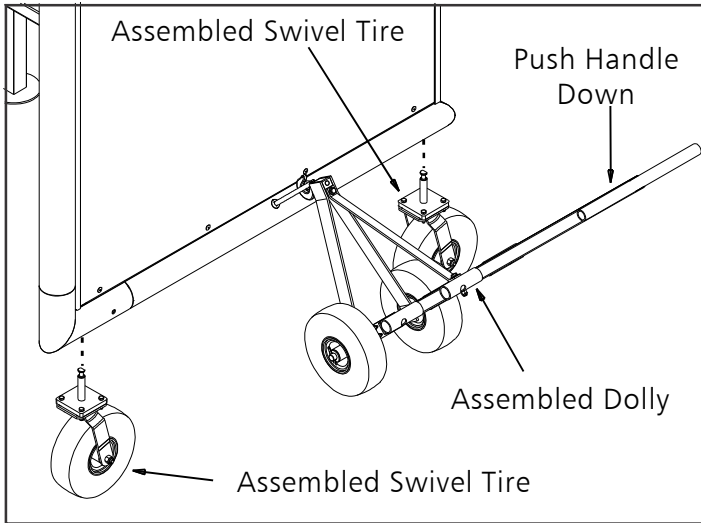
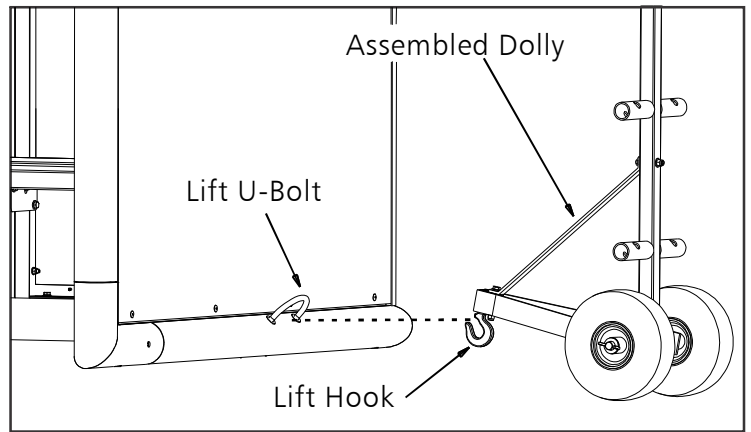
WARNING DISASSEMBLE OR STORE IN SHELTERED AREA DURING THREAT OF HIGH WINDS



IMPORTANT SAFETY INSTRUCTIONS
READ CAREFULLY

1. Lifting and moving heavy field equipment can be dangerous if not done properly. All Kwik Goal Elite Shelters must be moved by qualified personnel who are experienced in moving large, heavy field equipment. Kwik Goal recommends storing dolly and tires in a secure area to prevent unauthorized use.
2. A minimum of four qualified, experienced people are required to install wheels and move shelters.
3. Do not attempt to lift, move, or remove anchors from any shelter in windy conditions.
4. Shelters must NOT be left unattended when swivel tires are installed.
5. Shelter must be on level, flat ground to use dolly handle and/or swivel tires.
6. Dolly is to be used as a tire transport/storage and shelter lifting device. Do not use dolly to move shelter.
7. Use extreme caution when pushing shelter. Excessive force can overturn shelter. Always push as low as possible.
8. Do not push shelter directly from front to rear or rear to front. Push from end to end. (Refer to 9B1201 - Elite Shelter Dolly instructions for details.)
9. Always use two people to lift shelter with dolly. With one person maintaining light pressure on the handle, the second may insert tires into shelter. Install both tires before resting shelter on the ground. (Refer to 9B1201 - Elite Shelter Dolly instructions for details.)
NEVER LOWER SHELTER WITH ONLY ONE TIRE INSTALLED.

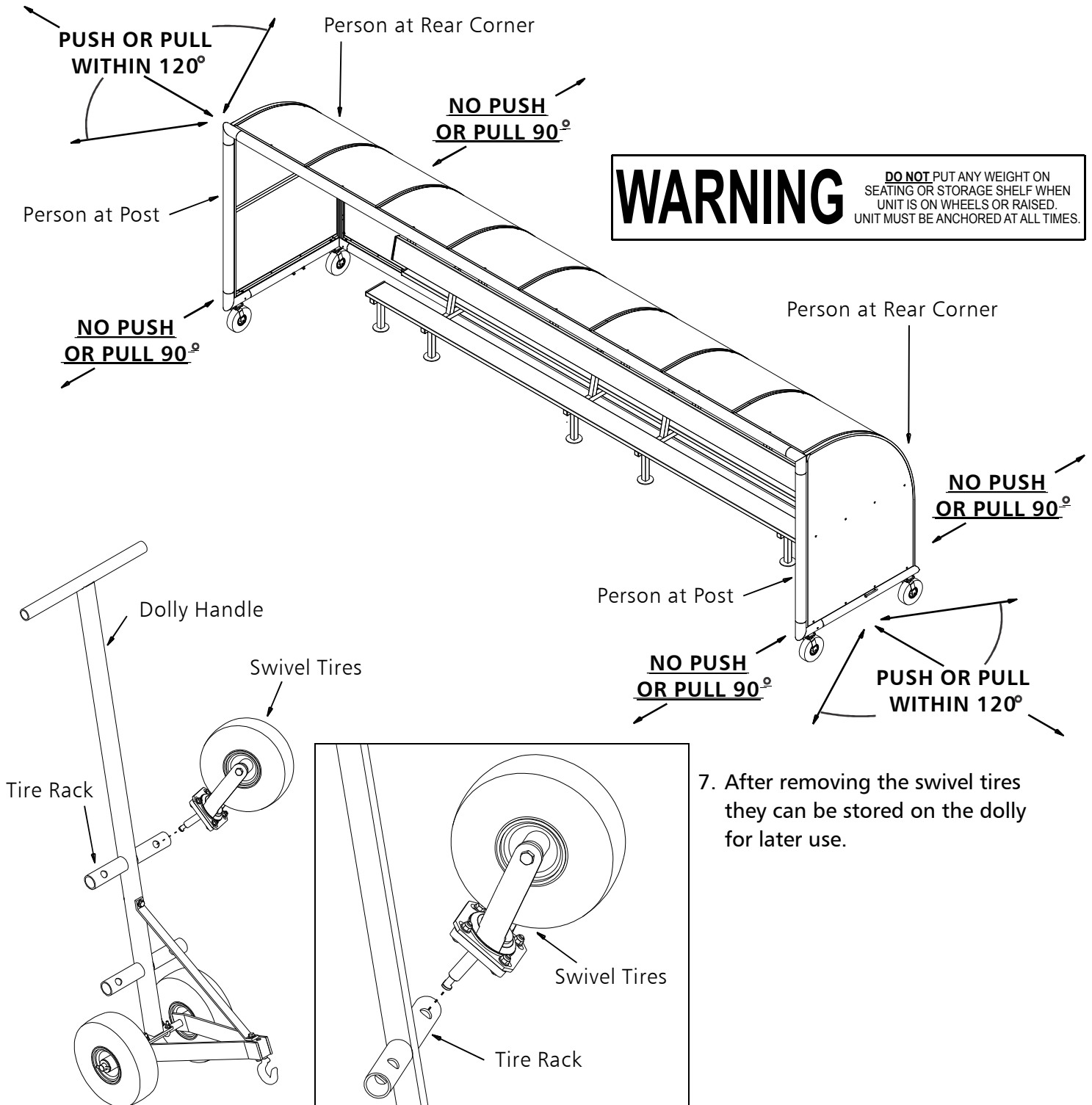
6. To lift shelter, insert hook of dolly under lift U-bolt, and with two people, push handle down to ground. With one person maintaining light pressure on the handle, the second may insert tires into shelter. With flat of pin facing forward, insert pin completely into hole in underside of shelter frame and rotate swivel tire mount 1/2 turn to lock tire into place. After installing both tires, use two people to raise dolly handle and rest tires onto ground. **NEVER LOWER SHELTER WITH ONLY ONE TIRE**



WARNING DISASSEMBLE OR STORE IN SHELTERED AREA DURING THREAT OF HIGH WINDS

7. All 4 swivel tires must be locked into frame before attempting to move shelter. A minimum of 4 people are needed to move one shelter. One person on each corner is recommended. Push from end to end, note acceptable directions to push below.

WARNING: DO NOT ATTEMPT TO MOVE SHELTER WITH DOLLY. MOVING SHELTER WITH DOLLY WILL CAUSE INJURY AND/OR DAMAGE.



7. After removing the swivel tires they can be stored on the dolly for later use.

WARNING DISASSEMBLE OR STORE IN SHELTERED AREA DURING THREAT OF HIGH WINDS