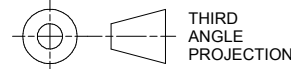


FEATURES:

- 1) ALLOWS SHELTERS TO BE MOVED WITH AS FEW AS 2 PEOPLE.
- 2) INCLUDES:
 - BRACKETS FOR WHEEL STORAGE
 - SWIVEL RELIANCE TURF PRO NO-FLAT TIRES
 - STEEL DOLLY CONSTRUCTION WITH WHEELS
- 3) TOTAL WEIGHT: 95lbs

Finish Info.



KWIKGOAL® 140 Pacific Drive
Quakertown,
Pa. 18951

DIMENSIONS ARE IN INCHES
UNLESS OTHERWISE SPECIFIED

Approved By:

Part #:

Date:

9B1201

This item is the **exclusive**
property of **KWIK GOAL LTD.**
Reproduction or duplication
without the express written
consent of **KWIK GOAL LTD.**
is **strictly forbidden.**

Drawn By: cspeck

Date: 7/23/2009

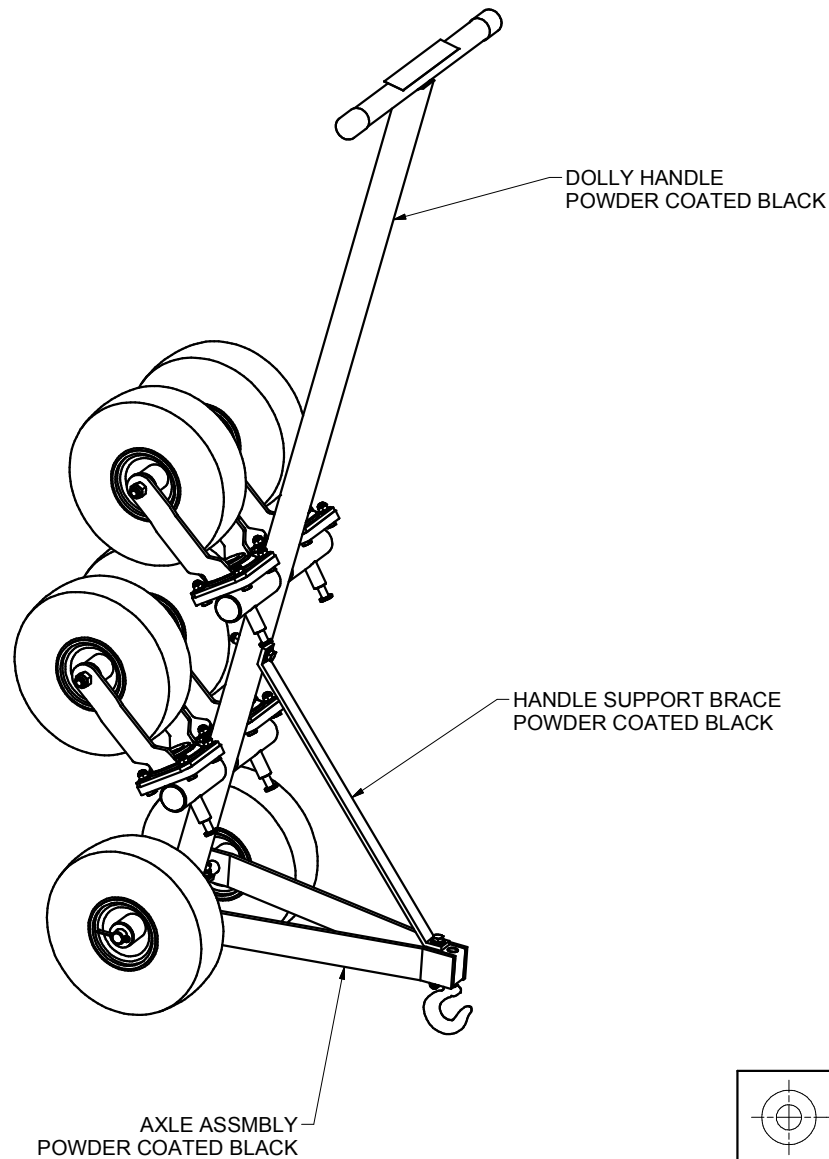
Desc:

Sheet: 1 of 4

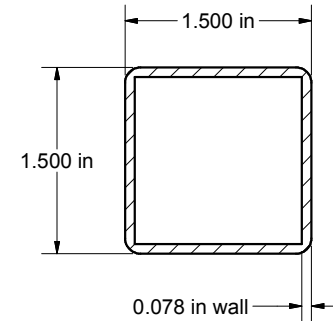
Revision #: -

9B1001 DOLLY

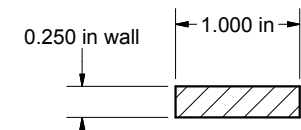
Cad File: 9B1201.idw



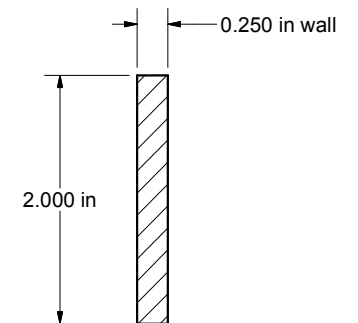
MATERIAL DETAIL



DOLLY HANDLE
(MATERIAL - STEEL)

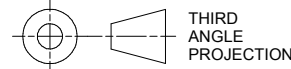


HANDEL SUPPORT BRACE
(MATERIAL - STEEL)



AXLE ASSEMBLY
(MATERIAL - STEEL)

Finish Info.



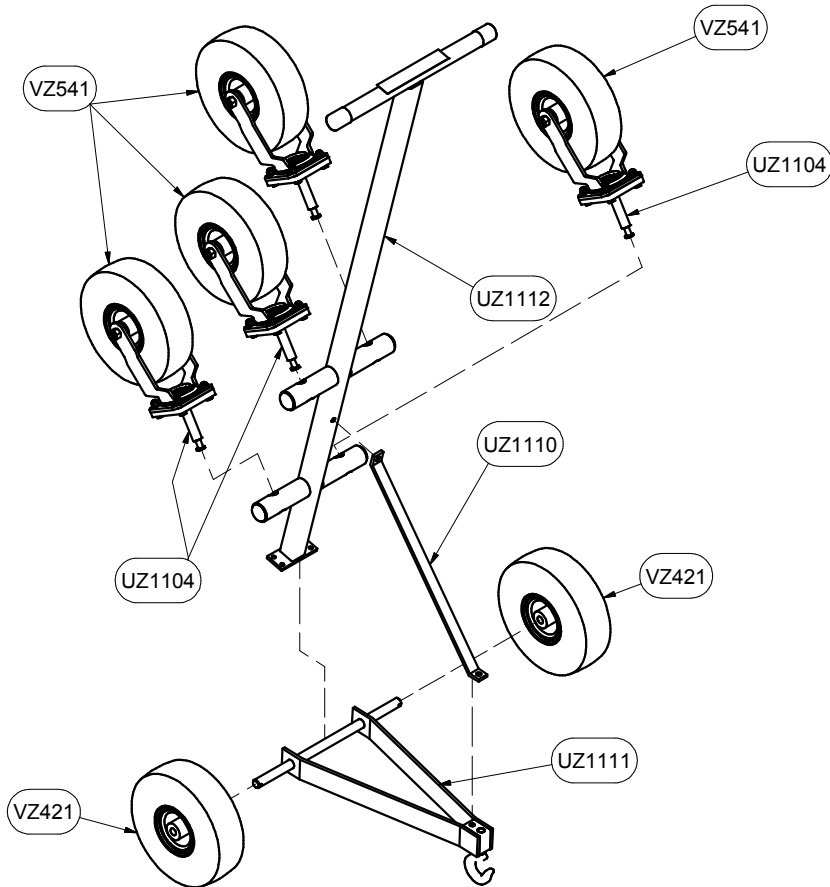
DIMENSIONS ARE IN INCHES
UNLESS OTHERWISE SPECIFIED

This item is the **exclusive**
property of **KWIK GOAL LTD.**
Reproduction or duplication
without the express written
consent of **KWIK GOAL LTD.**
is **strictly forbidden.**

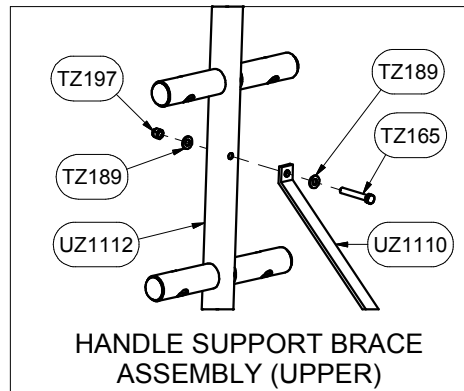
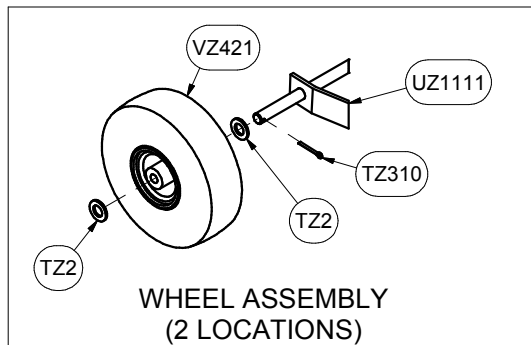
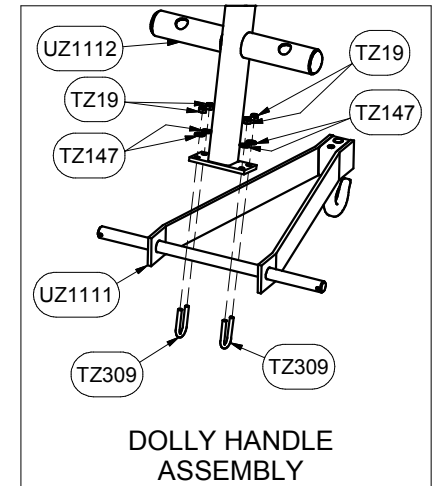
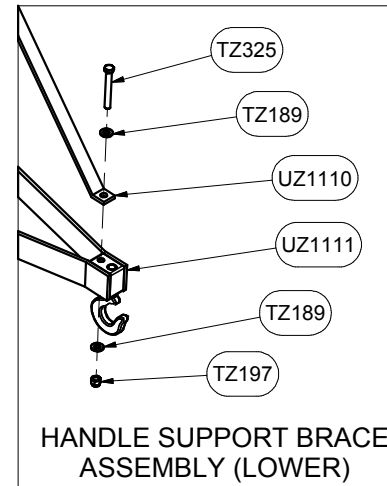


Approved By:
Date:
Drawn By: cspeck
Date: 7/23/2009
Sheet: 3 of 4
Revision #: -
Cad File: 9B1201.idw

Part #:
9B1201
Desc:
9B1001 DOLLY



Parts List			
Part #	Qty	Description	Material
VZ421	2	DOLLY WHEEL	Rubber
TZ2	4	3/4 Flat Washer	Zinc Plated Steel
TZ189	4	3/8 Flat Washer	Zinc Plated Steel
TZ197	2	3/8-16 Lock Nut	Zinc Plated Steel
VZ541	4	WHEEL	Rubber
UZ1104	4	SWIVEL WHEEL MOUNTING ASSEMBLY	STEEL
UZ1110	1	HANDLE SUPPORT BRACE	STEEL
UZ1111	1	9B1201 AXLE ASSEMBLY	STEEL
UZ1112	1	HANDLE, 9B1201 SHELTER DOLLY	STEEL
TZ165	1	3/8-16 x 2 1/2 Hex Bolt	Zinc Plated Steel
TZ309	2	U-BOLT, 3/4 ID, 1/4-20 THD	Zinc Plated Steel
TZ147	4	1/4 Flat Washer	Zinc Plated Steel
TZ19	4	1/4-20 Lock Nut	Zinc Plated Steel
TZ310	2	Cotter Pin Sqr Cut	Steel
TZ325	1	3/8-16 x 3 Hex Bolt	Stainless Steel, 316



Finish Info.

<p>THIRD ANGLE PROJECTION</p>	140 Pacific Drive Quakertown, Pa. 18951	
	<p>DIMENSIONS ARE IN INCHES UNLESS OTHERWISE SPECIFIED</p>	<p>Approved By:</p> <p>Date:</p>
<p>This item is the exclusive property of KWIK GOAL LTD. Reproduction or duplication without the express written consent of KWIK GOAL LTD. is strictly forbidden.</p>	<p>Drawn By: cspeck</p> <p>Date: 7/23/2009</p> <p>Sheet: 4 of 4</p> <p>Revision #: -</p> <p>Cad File: 9B1201.idw</p>	<p>Desc:</p> <p>9B1001 DOLLY</p>