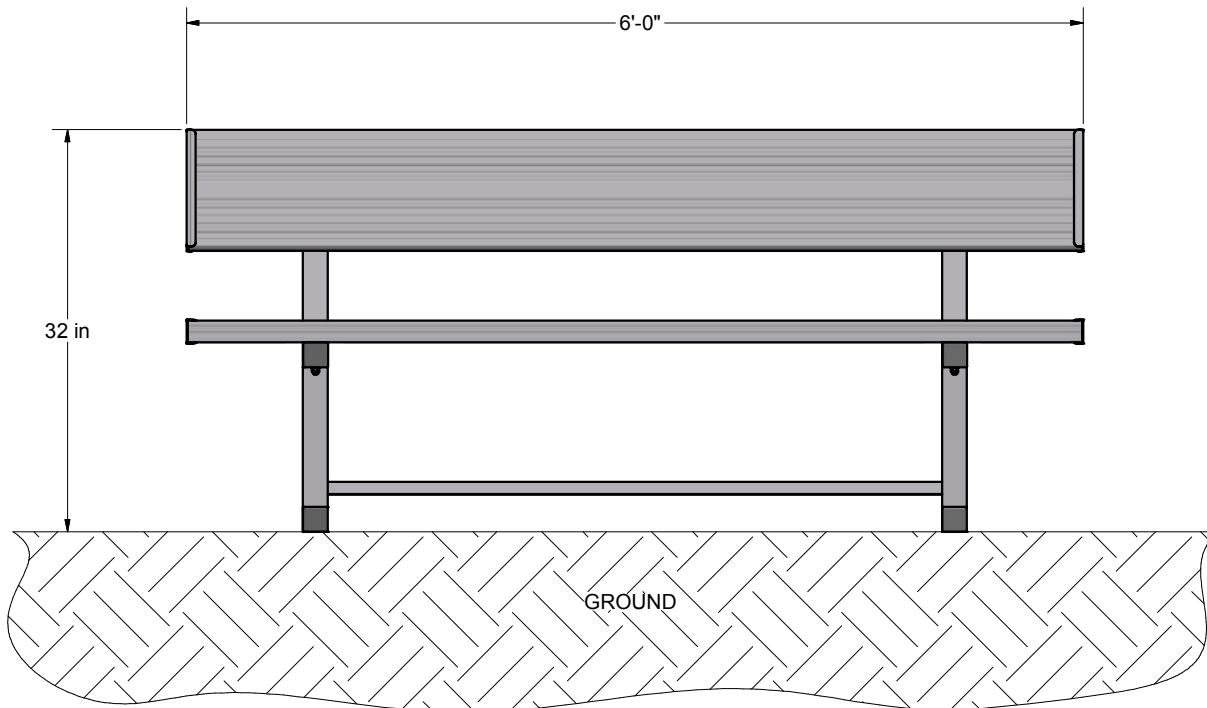
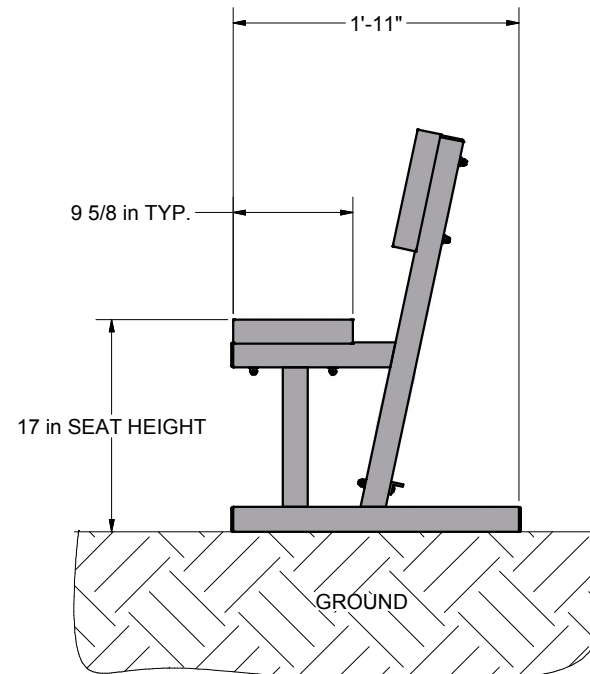


FRONT VIEW



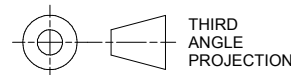
SIDE VIEW



FEATURES:

- 1) MATERIAL:
ALUMINUM FRAMES AND BENCH PLANKS
- 2) FINISH:
FRAMES - PLAIN
BENCH PLANKS - CLEAR ANODIZED
- 3) ASSEMBLED WEIGHT: 42 LBS.

Finish Info.



THIRD ANGLE PROJECTION



140 Pacific Drive
Quakertown,
Pa. 18951

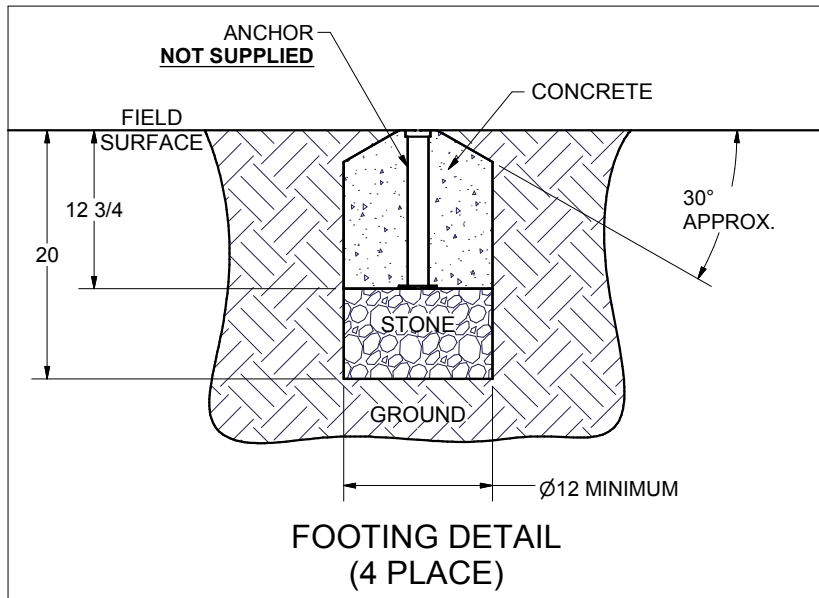
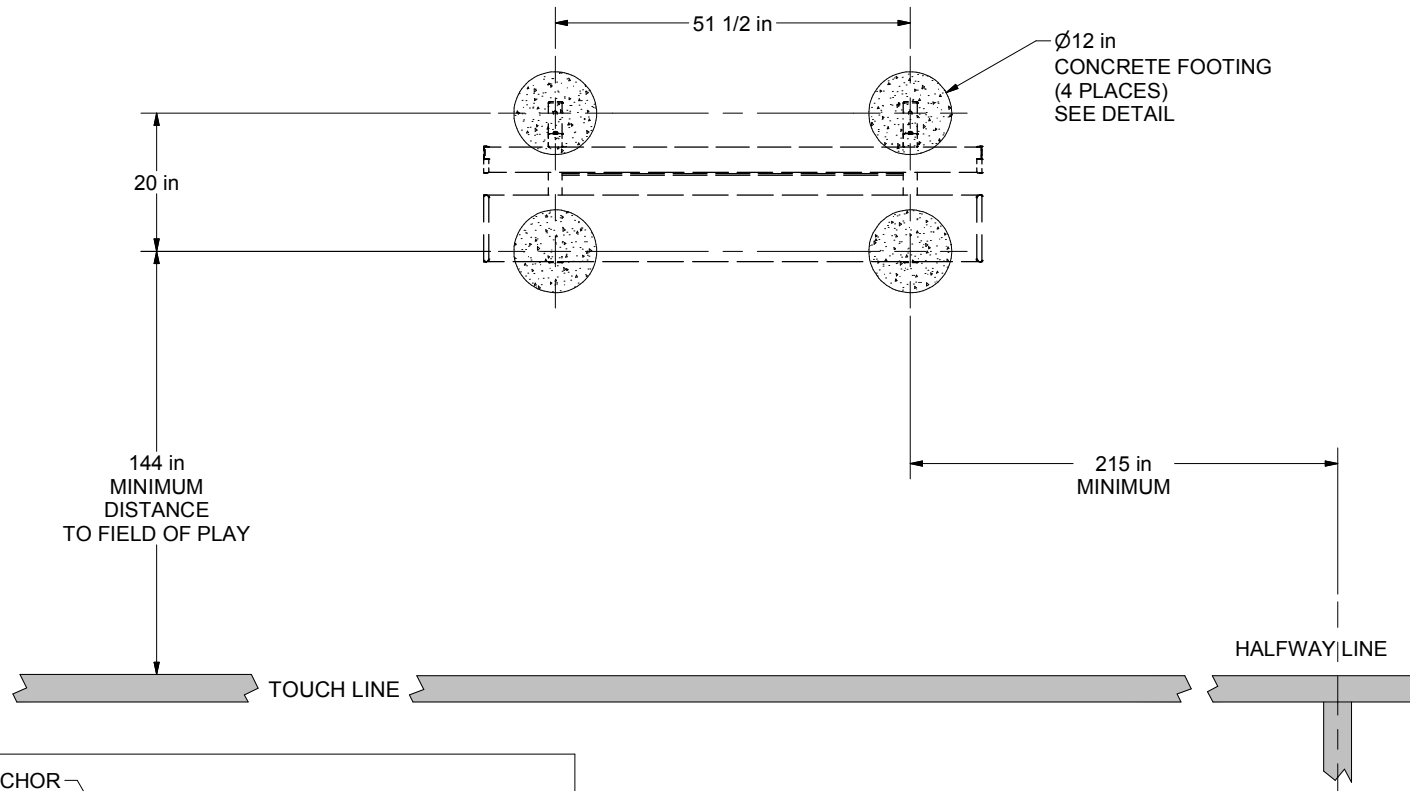
DIMENSIONS ARE IN INCHES
UNLESS OTHERWISE SPECIFIED

This item is the **exclusive** property of **KWIK GOAL LTD.** Reproduction or duplication **without** the express written consent of **KWIK GOAL LTD.** is **strictly forbidden.**

Approved By:
Date:
Drawn By: KFrish
Date: 11/1/2010
Sheet: 1 of 4
Revision #: -
Cad File: 9B21.idw

Part #: **9B21**
Desc: 6' BENCH WITH BACK

OVERHEAD VIEW

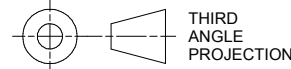


NOTES:

- 1) ANCHORS RECOMENDED, BUT **NOT** SUPPLIED.
- 2) DIMENSIONS ARE FOR PLANNING PURPOSES. INSTALLATION MUST BE IN ACCORDANCE WITH INSTALLATION INSTRUCTIONS.

MATERIAL REQUIRED, BUT **NOT** SUPPLIED

- 0.3 cubic yard - CONCRETE
- 0.2 cubic yard - CLEAN STONE (1/4" - 3/4")
- ABOVE AMOUNTS ARE PER UNIT INSTALLATION



DIMENSIONS ARE IN INCHES
UNLESS OTHERWISE SPECIFIED

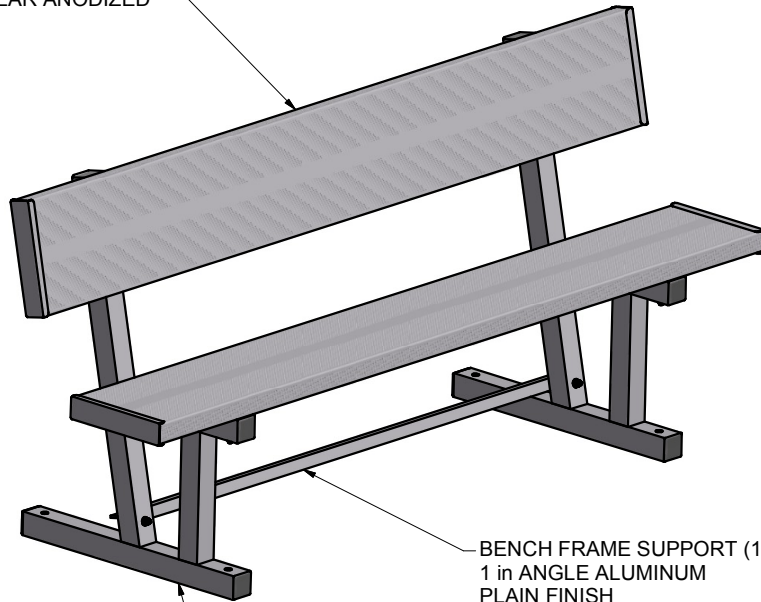
This item is the **exclusive** property of **KWIK GOAL LTD.** Reproduction or duplication **without** the express written consent of **KWIK GOAL LTD.** is **strictly forbidden.**

Approved By:
Date:
Drawn By: KFRisch
Date: 11/1/2010
Sheet: 2 of 4
Revision #: -
Cad File: 9B21.idw

Part #:
9B21
Desc:
6' BENCH WITH BACK

Finish Info.

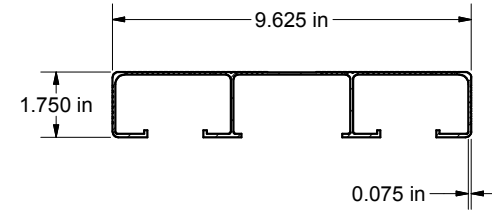
BENCH PLANKS (2)
CLEAR ANODIZED



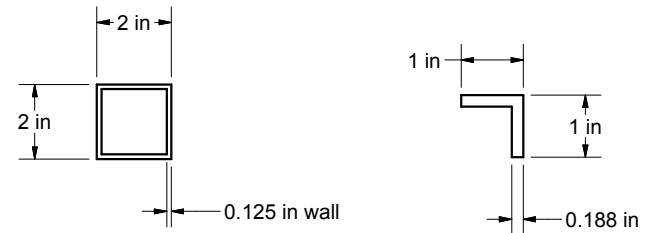
BENCH FRAME SUPPORT (1)
1 in ANGLE ALUMINUM
PLAIN FINISH

BENCH FRAMES (2)
2 in SQUARE ALUMINUM TUBE
PLAIN FINISH

MATERIAL DETAILS



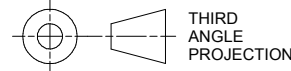
SEAT & BACK BENCH PLANK
MATERIAL - ALUMINUM



BENCH FRAME
MATERIAL - ALUMINUM

BENCH FRAME SUPPORT
MATERIAL - ALUMINUM

Finish Info.



THIRD
ANGLE
PROJECTION

KWIKGOAL® 140 Pacific Drive
Quakertown,
Pa. 18951

DIMENSIONS ARE IN INCHES
UNLESS OTHERWISE SPECIFIED

Approved By:

Part #:

Date:

9B21

This item is the **exclusive**
property of **KWIK GOAL LTD.**
Reproduction or duplication
without the express written
consent of **KWIK GOAL LTD.**
is **strictly forbidden.**

Drawn By: KFrish

Date: 11/1/2010

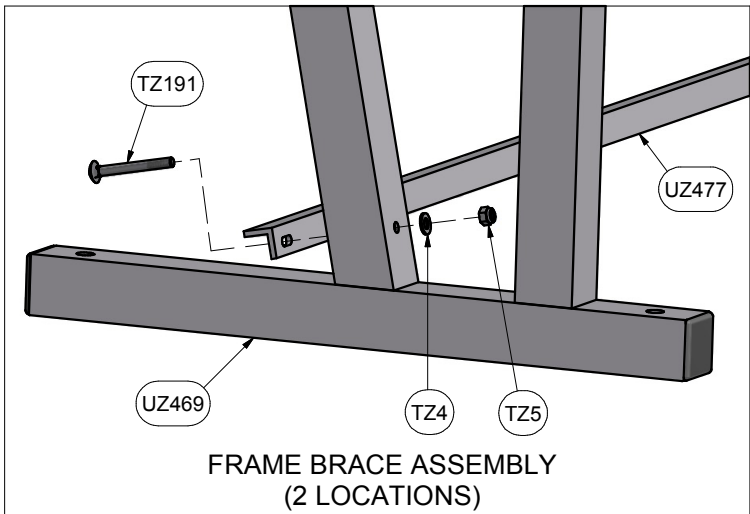
Sheet: 3 of 4

Revision #: -

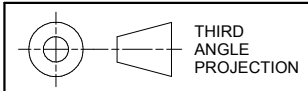
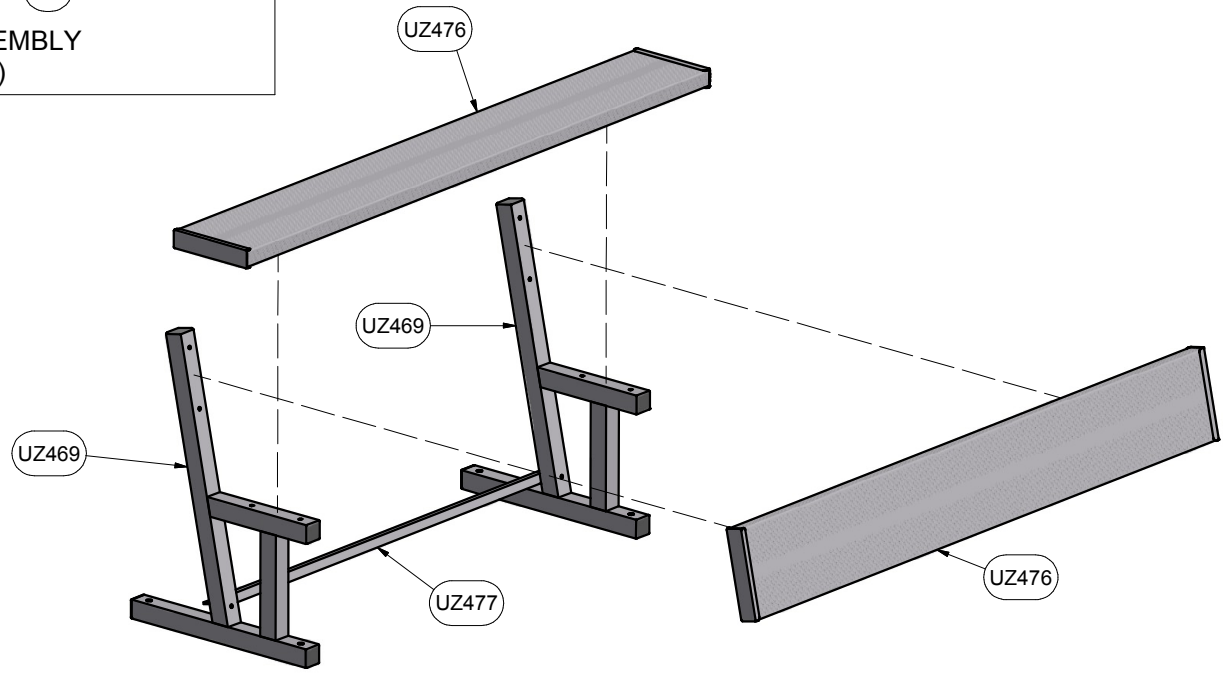
Cad File: 9B21.idw

Desc:

6' BENCH WITH BACK



Parts List		
Part #	Qty	Description
UZ469	2	BENCH FRAME WITH BACK
UZ477	1	BENCH SUPPORT
UZ476	2	BENCH SEAT (6')
UZ475	8	BENCH HOLD DOWN
TZ172	8	5/16-18 x 3 Carriage Bolt
TZ4	10	5/16 Flat Washer
TZ5	10	5/16-18 Lock Nut
TZ191	2	5/16-18 x 2 3/4 Carriage Bolt



KWIKGOAL® 140 Pacific Drive
Quakertown,
Pa. 18951

DIMENSIONS ARE IN INCHES
UNLESS OTHERWISE SPECIFIED

This item is the **exclusive** property of **KWIK GOAL LTD.** Reproduction or duplication **without** the express written consent of **KWIK GOAL LTD.** is **strictly forbidden.**

Approved By:
Date:
Drawn By: KFRisch
Date: 11/1/2010
Sheet: 4 of 4
Revision #: -
Cad File: 9B21.idw

Part #:
9B21
Desc:
6' BENCH WITH BACK

Finish Info.