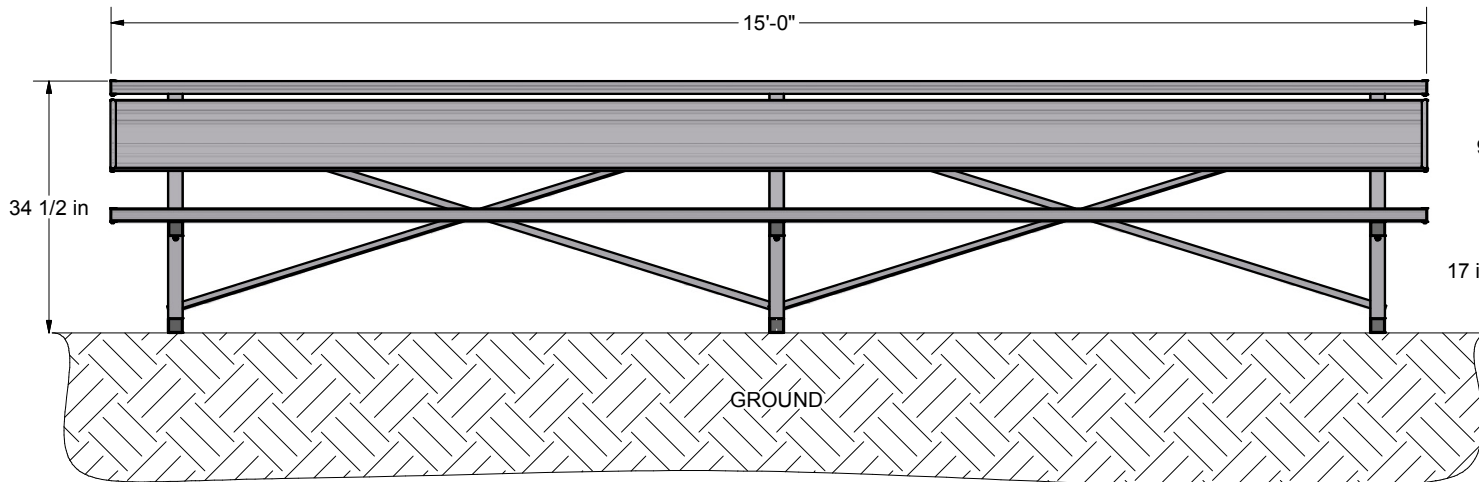
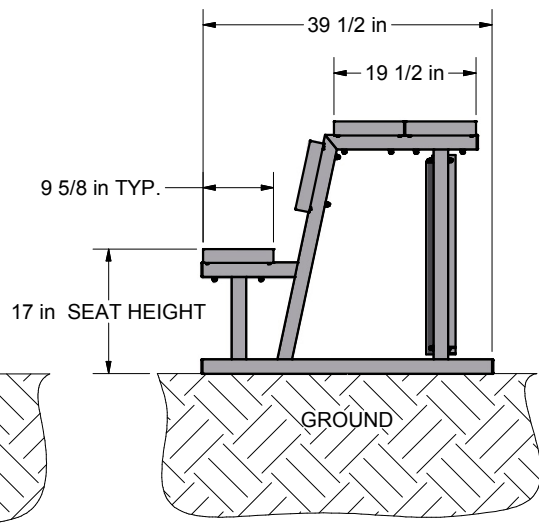


FRONT VIEW



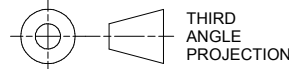
SIDE VIEW



FEATURES:

- 1) MATERIAL:
ALUMINUM FRAMES AND BENCH PLANKS
- 2) FINISH:
FRAMES - PLAIN
BENCH PLANKS - CLEAR ANODIZED
- 3) ASSEMBLED WEIGHT: 172 LBS.

Finish Info.



THIRD ANGLE PROJECTION



DIMENSIONS ARE IN INCHES UNLESS OTHERWISE SPECIFIED

This item is the **exclusive** property of **KWIK GOAL LTD.** Reproduction or duplication **without** the express written consent of **KWIK GOAL LTD.** is **strictly forbidden.**

Approved By:

Date:

Drawn By: cspeck

Date: 4/27/2010

Sheet: 1 of 4

Revision #: -

Cad File: 9B315.idw

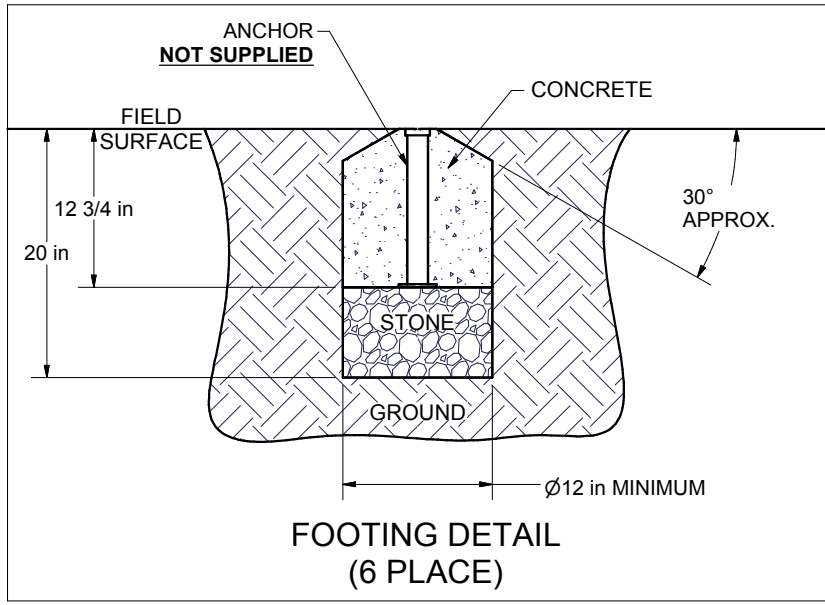
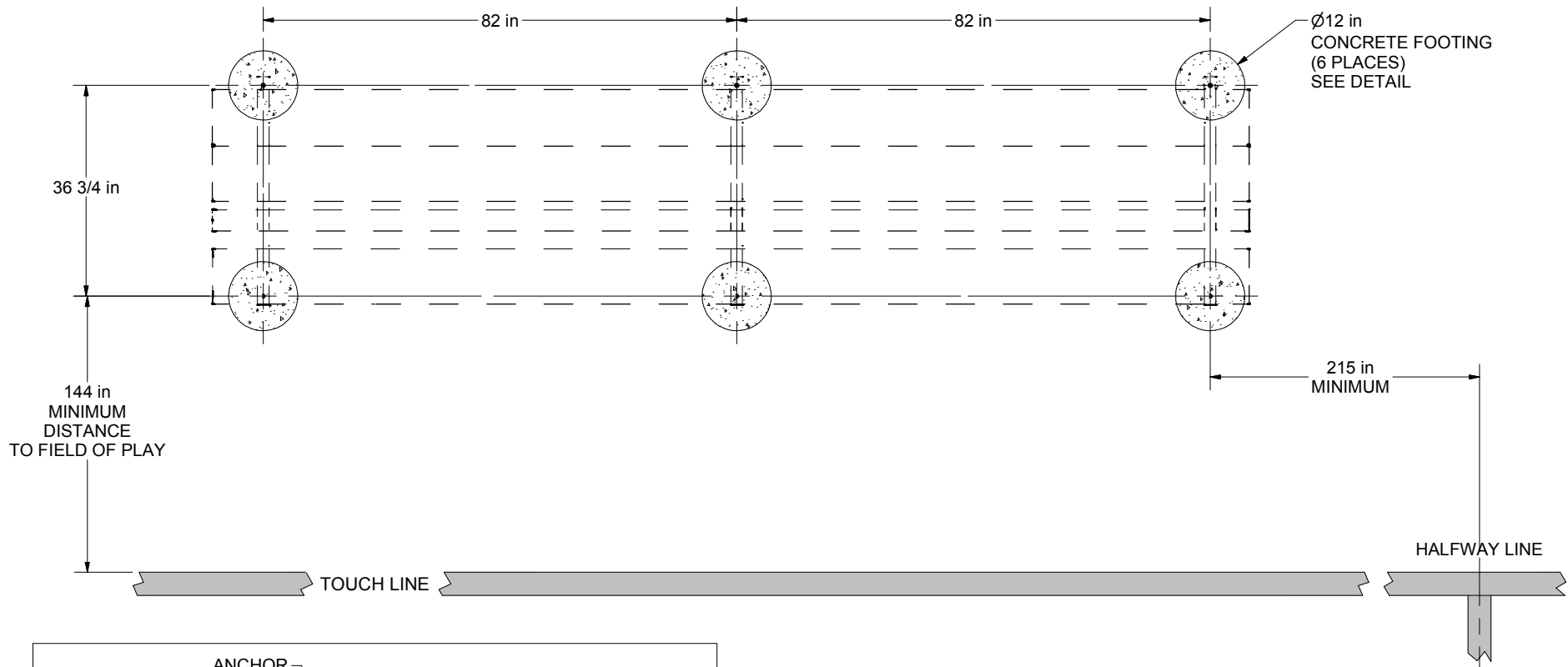
Part #:

9B315

Desc:

15' BENCH WITH SHELF

OVERHEAD VIEW



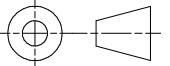

NOTES:

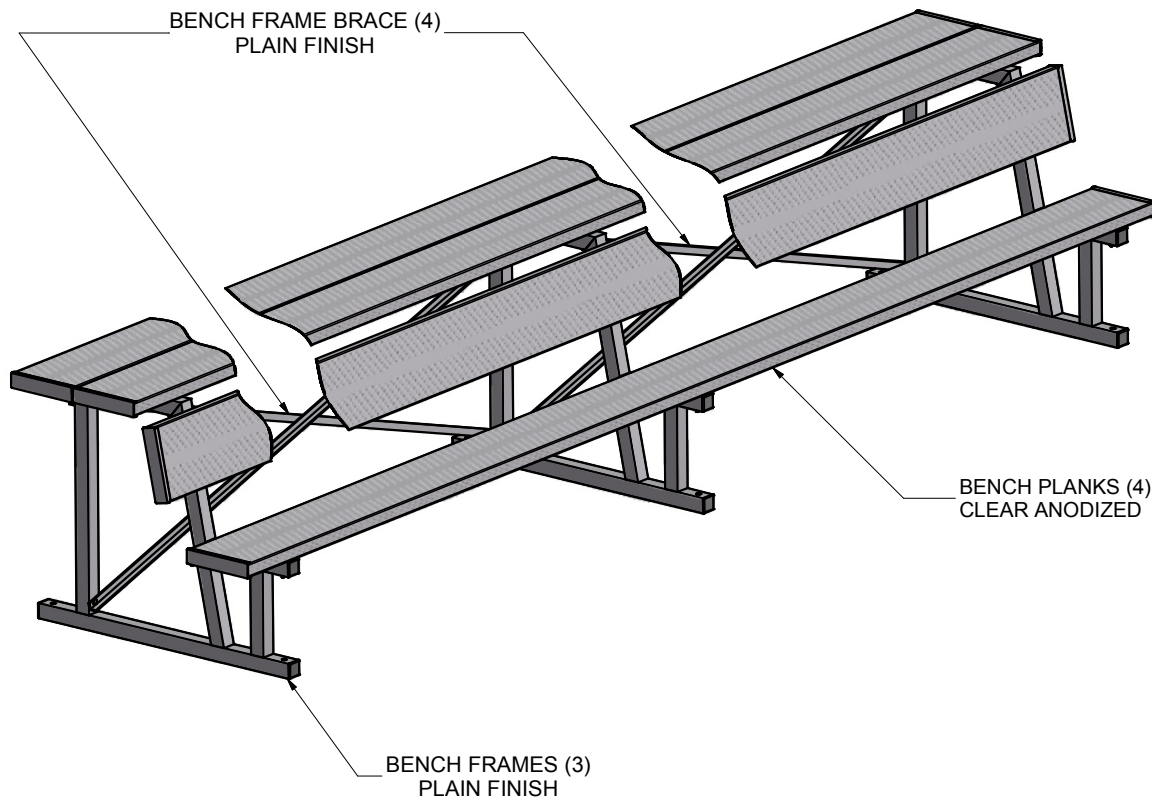
- 1) ANCHORS RECOMENDED, BUT **NOT** SUPPLIED.
- 2) DIMENSIONS ARE FOR PLANNING PURPOSES. INSTALLATION MUST BE IN ACCORDANCE WITH INSTALLATION INSTRUCTIONS.

MATERIAL REQUIRED, BUT **NOT** SUPPLIED

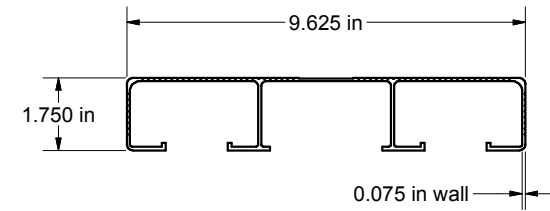
0.2 cubic yard - CONCRETE
 0.1 cubic yard - CLEAN STONE (1/4" - 3/4")
 ABOVE AMOUNTS ARE PER UNIT INSTALLATION

Finish Info.

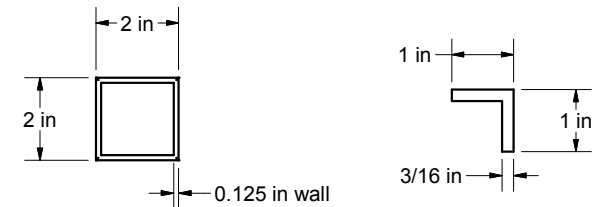
 THIRD ANGLE PROJECTION	 140 Pacific Drive Quakertown, Pa. 18951	
	DIMENSIONS ARE IN INCHES UNLESS OTHERWISE SPECIFIED	Approved By:
This item is the exclusive property of KWIK GOAL LTD. Reproduction or duplication without the express written consent of KWIK GOAL LTD. is strictly forbidden.	Date:	9B315
	Drawn By: cspeck	
	Date: 4/27/2010	Desc:
	Sheet: 2 of 4 Revision #: - Cad File: 9B315.idw	15' BENCH WITH SHELF



MATERIAL DETAILS

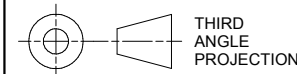


SEAT & BACK BENCH PLANK MATERIAL - ALUMINUM



BENCH FRAME
MATERIAL - ALUMINUM

BENCH FRAME BRACE
MATERIAL - ALUMINUM



THIRD
ANGLE
PROJECTION



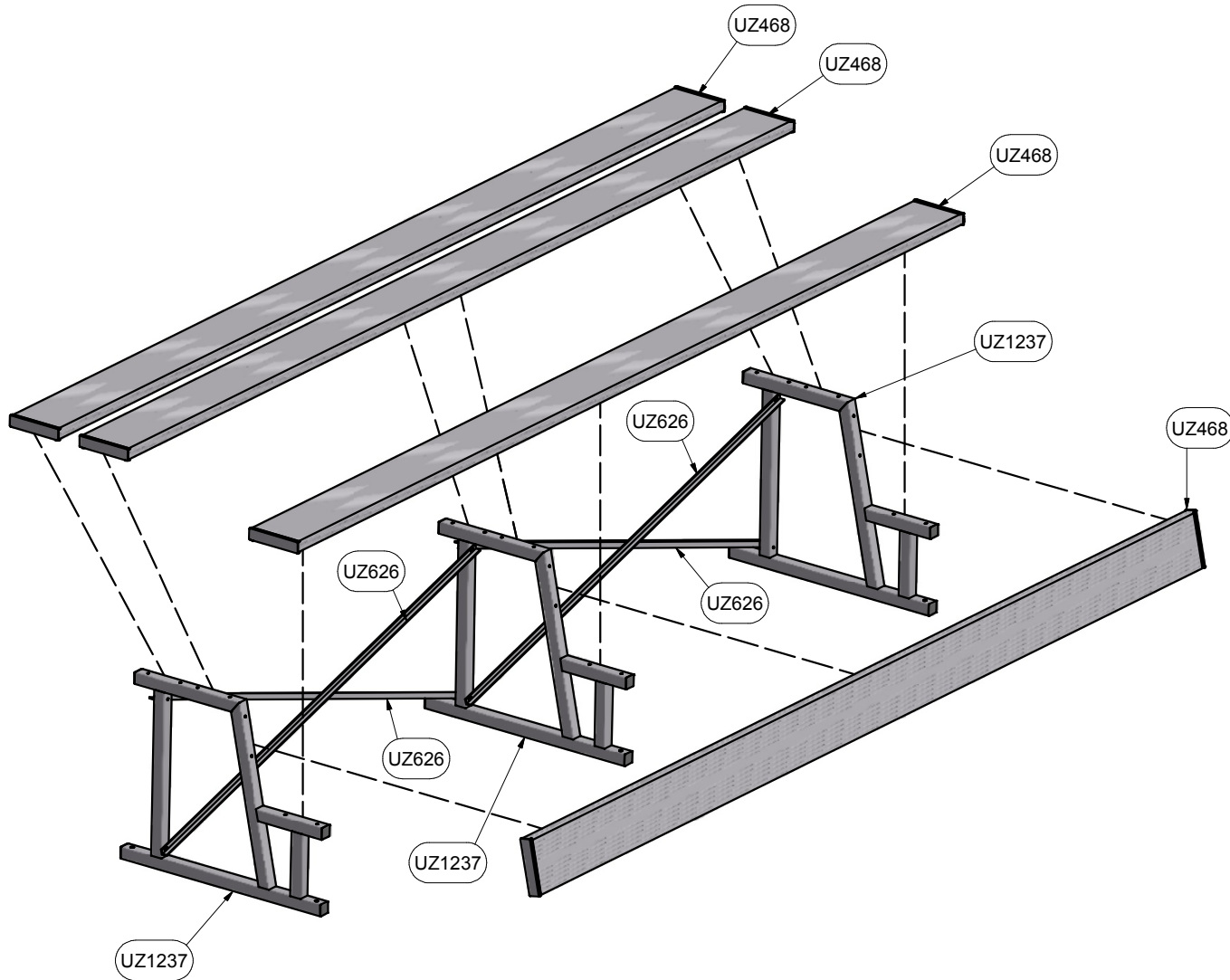
DIMENSIONS ARE IN INCHES
UNLESS OTHERWISE SPECIFIED

This item is the **exclusive** property of **KWIK GOAL LTD.** Reproduction or duplication **without** the express written consent of **KWIK GOAL LTD.** is **strictly forbidden.**

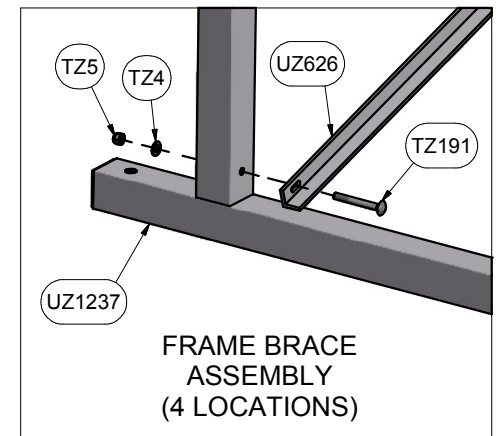
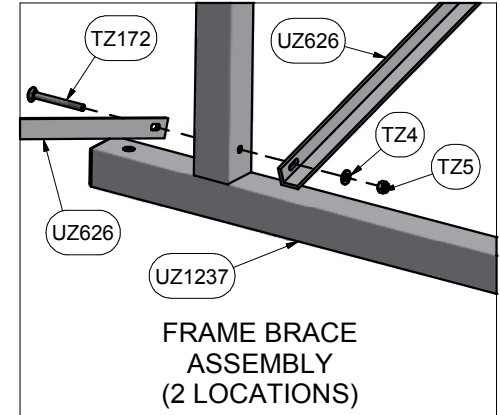
Approved By:
Date:
Drawn By: cspeck
Date: 4/27/2010
Sheet: 3 of 4
Revision #: -
Cad File: 9B315.idw

Part #:
9B315
Desc:
15' BENCH WITH SHELF

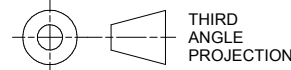
Finish Info.



Parts List		
Part #	Qty	Description
UZ626	4	BRACE, BLEACHER FRAME
UZ475	24	BENCH HOLD DOWN
UZ468	4	BENCH SEAT (15')
UZ1237	3	COMPONENT BENCH FRAME WITH BACK
TZ5	30	5/16-18 Lock Nut
TZ4	30	5/16 Flat Washer
TZ191	4	5/16-18 x 2 3/4 Carriage Bolt



Finish Info.



DIMENSIONS ARE IN INCHES
UNLESS OTHERWISE SPECIFIED

This item is the **exclusive** property of **KWIK GOAL LTD.** Reproduction or duplication **without** the express written consent of **KWIK GOAL LTD.** is **strictly forbidden.**



Approved By:

Date:

Drawn By: cspeck

Date: 4/27/2010

Sheet: 4 of 4

Revision #: -

Cad File: 9B315.idw

Part #:

9B315

Desc:

15' BENCH WITH SHELF