



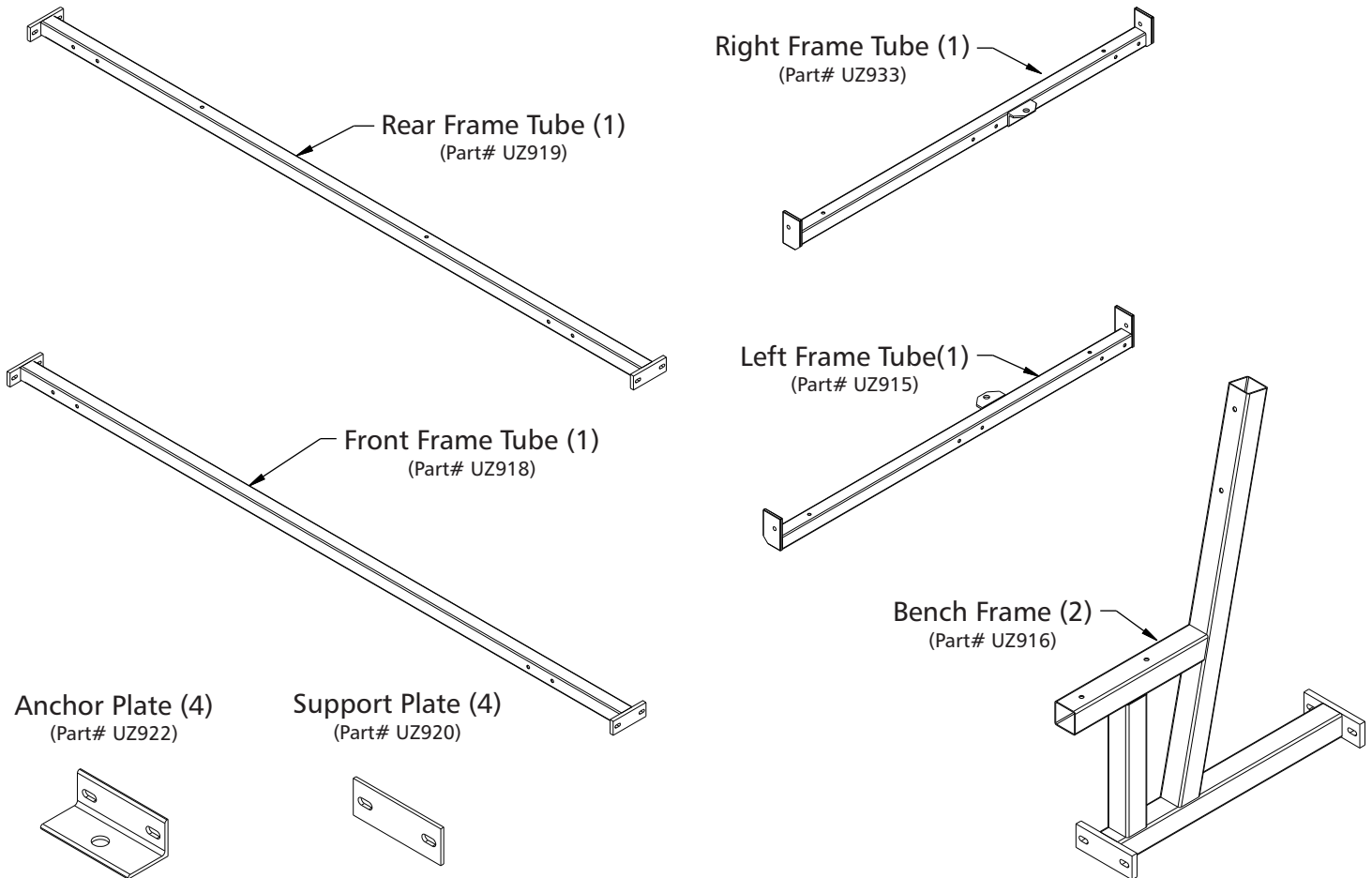
All Kwik Goal products carry a **Lifetime Guarantee**. For help with guarantee issues visit [kwikgoal.com](http://kwikgoal.com) and click on the **Lifetime Guarantee** logo or contact customer service at 1-800-531-4252.

### ASSEMBLY INSTRUCTIONS FOR 9B701 REFEREE SHELTER

**\*THIS MUST BE ASSEMBLED BY A MINIMUM OF TWO QUALIFIED PERSONS\***

1. Unpack all parts and check for damage which may have occurred during shipping. If damage has occurred, notify trucking company immediately. Lay out all parts. Remove all cardboard or packaging immediately, wet or damp packaging may damage contents.

### Parts



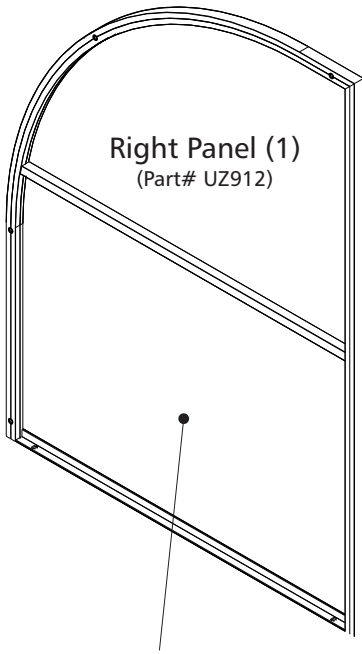
**THIS UNIT MUST BE ANCHORED ACCORDING TO THESE INSTRUCTIONS AT ALL TIMES**

## **WARNING**

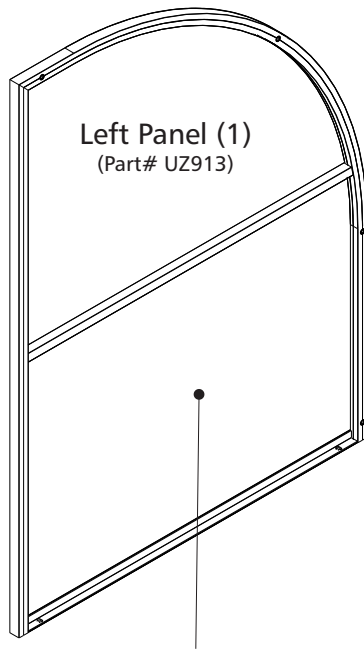
**THIS EQUIPMENT MUST BE STORED IN A SECURE, SHELTERED AREA WHEN NOT IN USE OR IN THE THREAT OF HIGH WINDS. ANY WEATHER DAMAGE TO THIS EQUIPMENT WILL NOT BE COVERED UNDER KWIK GOAL'S LIFETIME GUARANTEE. DO NOT LEAVE THIS EQUIPMENT UNATTENDED.**

140 Pacific Drive Quakertown, PA 18951  
(P) 215-536-2200 / (P) 800-531-4252 / (F) 215-536-4309 / (F) 800-778-8869  
Visit our website @ [kwikgoal.com](http://kwikgoal.com)  
© 2004, Rev 2008 Kwik Goal Ltd.

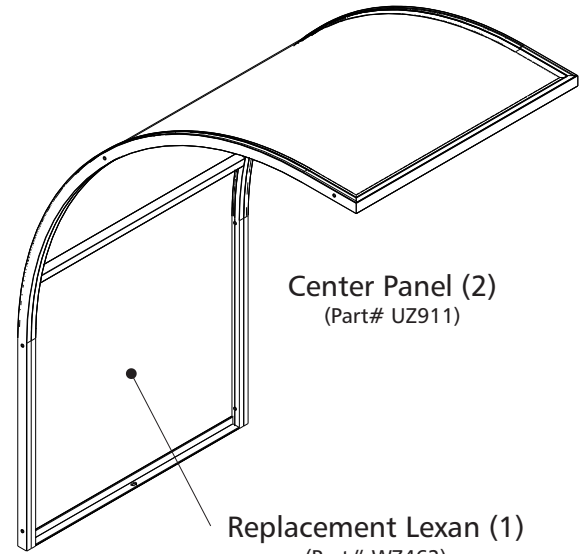
Parts continued



Right Panel (1)  
(Part# UZ912)



Left Panel (1)  
(Part# UZ913)

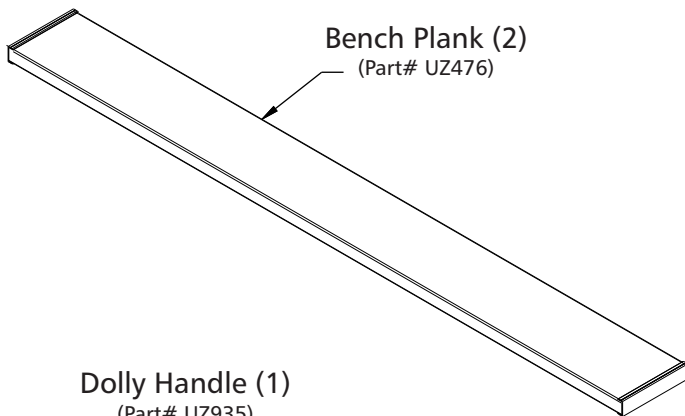


Center Panel (2)  
(Part# UZ911)

Replacement Lexan (1)  
(Part# WZ462)

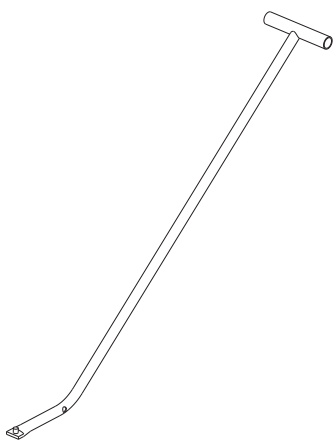
Replacement Lexan (1)  
(Part# WZ464)

Replacement Lexan (1)  
(Part# WZ510)

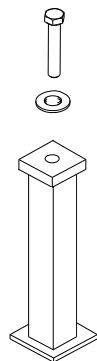


Bench Plank (2)  
(Part# UZ476)

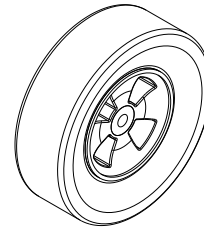
Dolly Handle (1)  
(Part# UZ935)



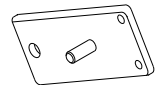
Ground Anchor (4)  
(Part# UZ212)



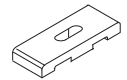
Tire (4)  
(Part# VZ349)



Stop Plate (2)  
(Part# UZ658)



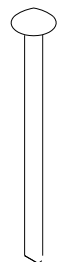
Bench Hold Down (8)  
(Part# UZ475)



Anchor Bags (4)  
(Part# 10B1605)



Ground Anchor Peg (4)  
(Part# UZ352)



**THIS UNIT MUST BE ANCHORED ACCORDING TO THESE INSTRUCTIONS AT ALL TIMES**

# WARNING

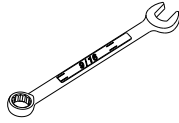
**THIS EQUIPMENT MUST BE STORED IN A SECURE, SHELTERED AREA WHEN NOT IN USE OR IN THE THREAT OF HIGH WINDS. ANY WEATHER DAMAGE TO THIS EQUIPMENT WILL NOT BE COVERED UNDER KWIK GOAL'S LIFETIME GUARANTEE. DO NOT LEAVE THIS EQUIPMENT UNATTENDED.**

### Hardware

5/16" X 3" Carriage Bolt (Part# TZ172)	(8)	3/8" Lock Nut (Part#TZ197)	(24)
5/16" X 2-1/4" Hex Bolt (Part# TZ251)	(2)	3/8" Flat Washer (Part#TZ189)	(22)
5/16" X 3-3/4" Hex Bolt (Part# TZ264)	(3)	1/2" Lock Nut (Part#TZ28)	(2)
5/16" X 3" Threaded Stud (Part# TZ273)	(6)	1/2" Large Nylon Washer (Part#TZ204)	(2)
5/16" Lock Nut (Part# TZ5)	(19)	1/2" Flat Washer (Part#TZ297)	(2)
5/16" Flat Washer (Part# TZ4)	(24)	5/8" X 3-3/4" Hex Bolt (Part#TZ124)	(2)
3/8" X 2-3/4" Carriage Bolt (Part# TZ103)	(6)	5/8" Threaded Rod (Part#TZ119)	(1)
3/8" X 3-1/4" Carriage Bolt (Part# TZ102)	(16)	5/8" Lock Nut (Part#TZ110)	(4)
3/8" X 3/4" Socket Head Bolt (Part# TZ208)	(2)	5/8" Jam Nut (Part#TZ108)	(4)
		Anti-Seize Compound (Part# VZ327)	(1)

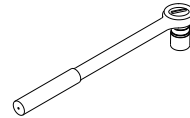
### Assembly Tools

1/2", 9/16", 3/4" & 15/16"  
Wrenches



AND

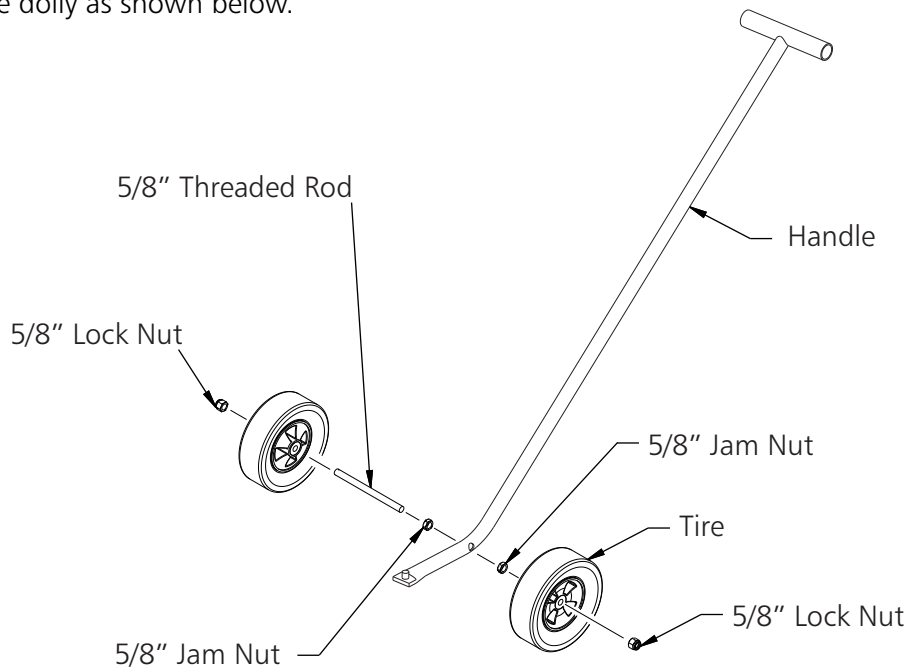
Ratchet with  
1/2", 9/16", 3/4" & 15/16"  
Sockets



**\*\*\*CAUTION\*\*\***

**ALL SPORTS EQUIPMENT MUST BE ANCHORED AT ALL TIMES. SPORTS EQUIPMENT NOT IN USE MUST BE DISASSEMBLED AND STORED IN A SAFE PLACE. ASSEMBLED SPORTS EQUIPMENT SHOULD NOT BE LEFT UNATTENDED. DO NOT USE EQUIPMENT DURING THE THREAT OF HIGH WINDS. SPORTS EQUIPMENT SHOULD BE CHECKED FOR SAFETY ON A REGULAR BASIS. ANY MODIFICATIONS TO THIS OR ANY KWIK GOAL PRODUCT WILL VOID ANY AND ALL WARRANTIES.**

2. Assemble dolly as shown below.

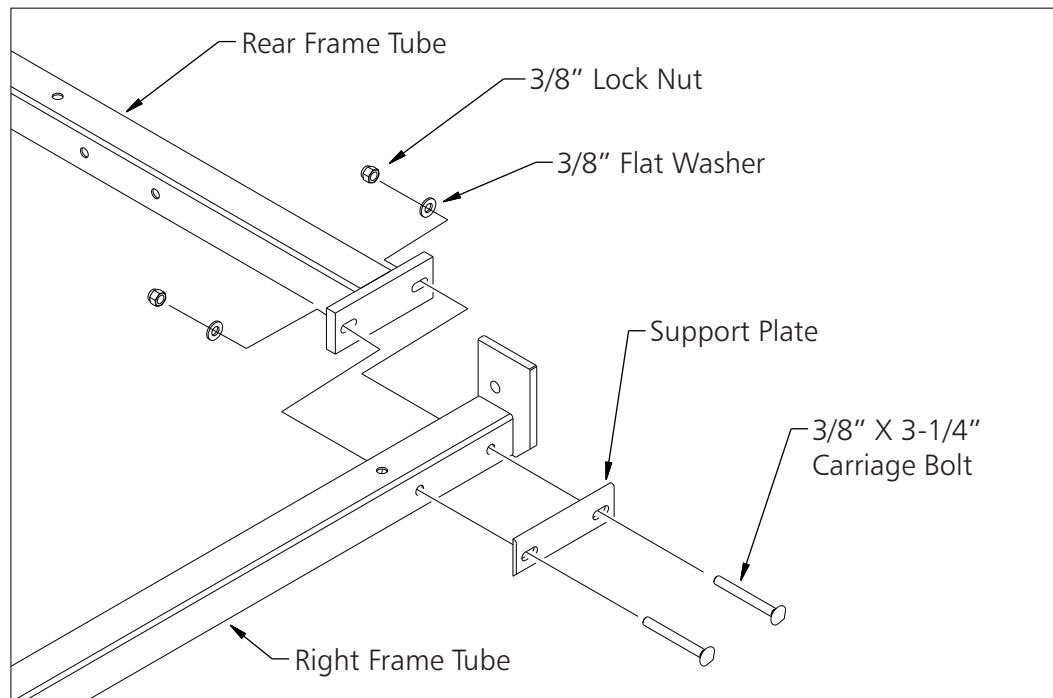
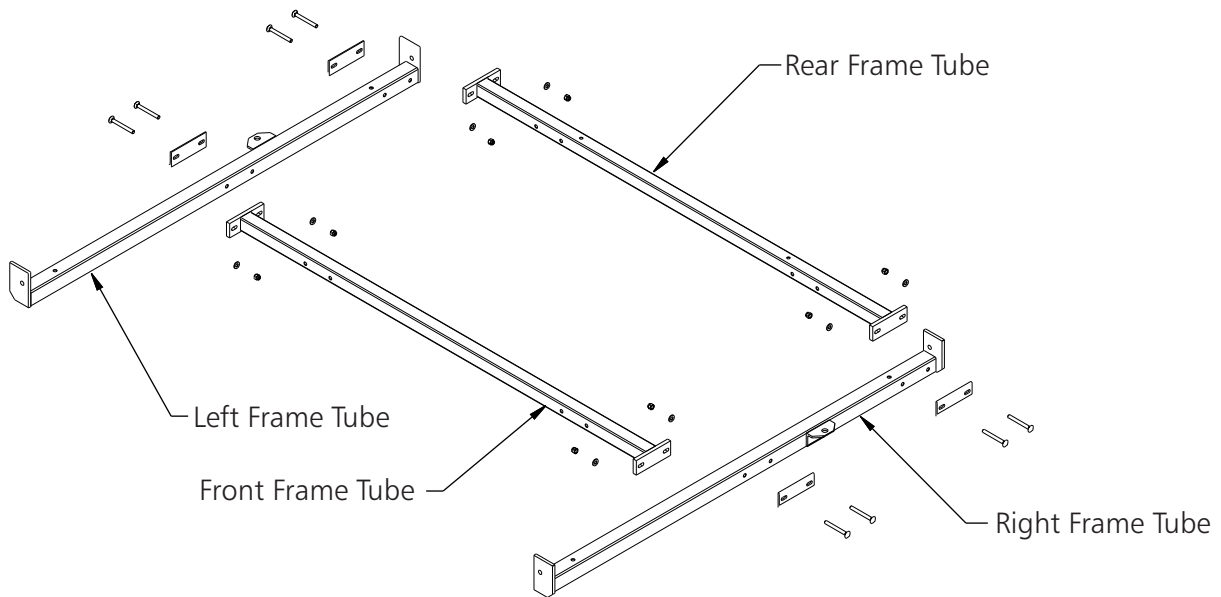


**THIS UNIT MUST BE ANCHORED ACCORDING TO THESE INSTRUCTIONS AT ALL TIMES**

## **WARNING**

**THIS EQUIPMENT MUST BE STORED IN A SECURE, SHELTERED AREA WHEN NOT IN USE OR IN THE THREAT OF HIGH WINDS. ANY WEATHER DAMAGE TO THIS EQUIPMENT WILL NOT BE COVERED UNDER KWIK GOAL'S LIFETIME GUARANTEE. DO NOT LEAVE THIS EQUIPMENT UNATTENDED.**

3. Assemble frame base with specified hardware.  
**NOTE: DO NOT TIGHTEN BOLTS AT THIS TIME.**



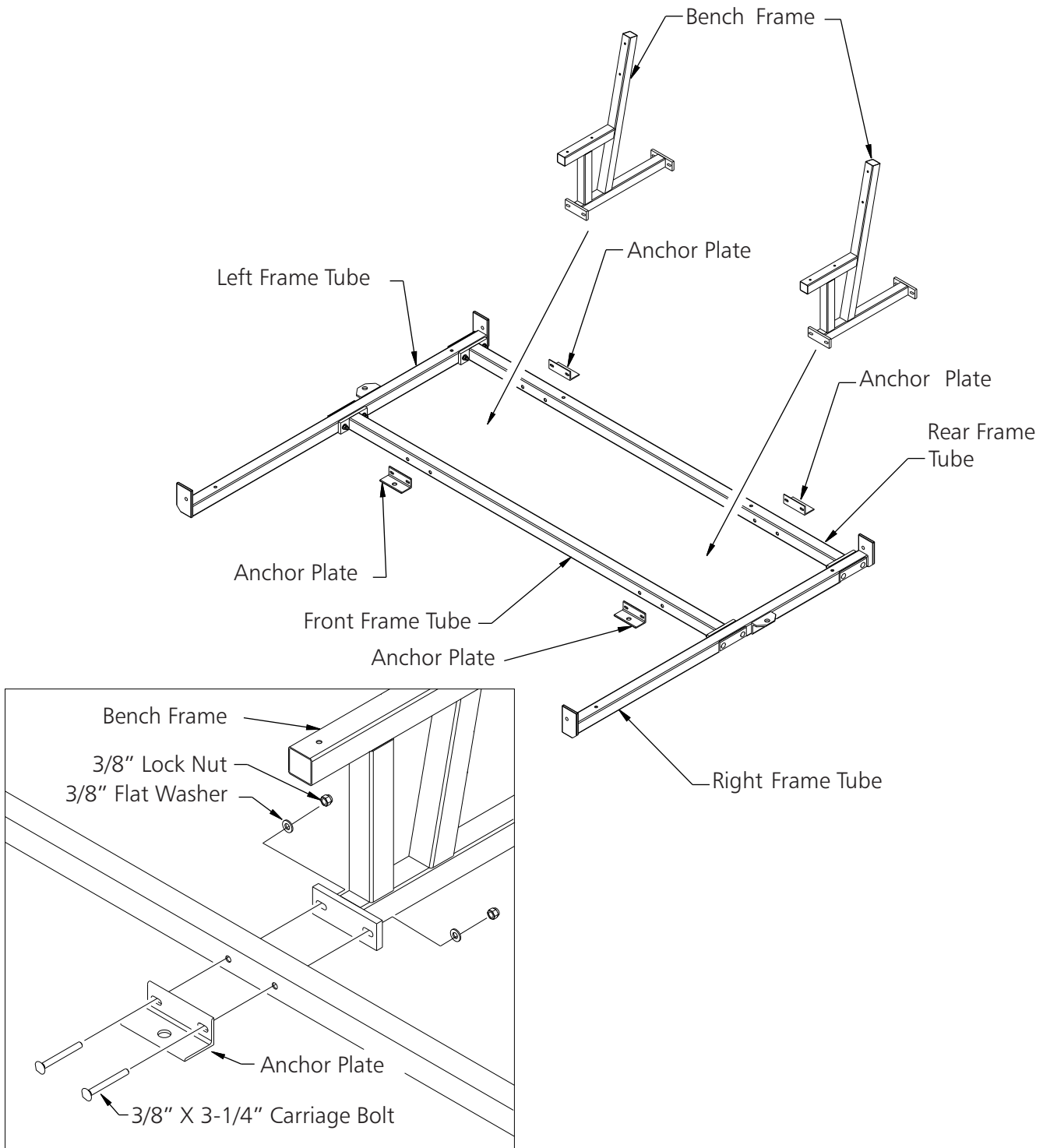
**NOTE: DO NOT TIGHTEN ANY BOLTS AT THIS TIME.**

**THIS UNIT MUST BE ANCHORED ACCORDING TO THESE INSTRUCTIONS AT ALL TIMES**

## **WARNING**

**THIS EQUIPMENT MUST BE STORED IN A SECURE, SHELTERED AREA WHEN NOT IN USE OR IN THE THREAT OF HIGH WINDS.  
ANY WEATHER DAMAGE TO THIS EQUIPMENT WILL NOT BE COVERED UNDER KWIK GOAL'S LIFETIME GUARANTEE.  
DO NOT LEAVE THIS EQUIPMENT UNATTENDED.**

4. Attach bench frames to assembled frame base and tighten bolts.  
**(DO NOT TIGHTEN LEFT AND RIGHT FRAME TUBE AT THIS TIME)**  
NOTE: DO NOT OVER-TIGHTEN. OVER-TIGHTENING WILL CAUSE DAMAGE.



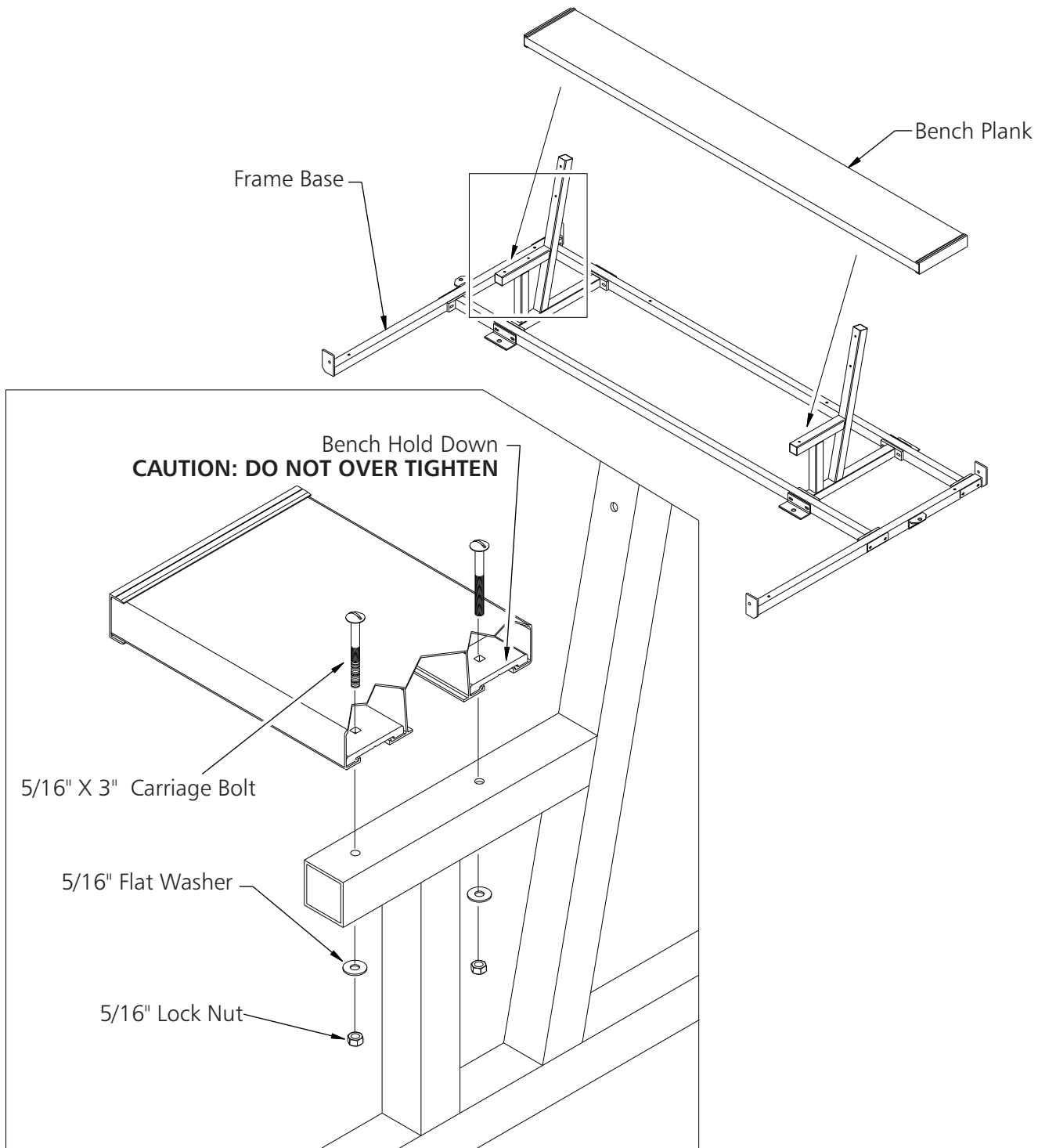
**THIS UNIT MUST BE ANCHORED ACCORDING TO THESE INSTRUCTIONS AT ALL TIMES**

## **WARNING**

**THIS EQUIPMENT MUST BE STORED IN A SECURE, SHELTERED AREA WHEN NOT IN USE OR IN THE THREAT OF HIGH WINDS.  
ANY WEATHER DAMAGE TO THIS EQUIPMENT WILL NOT BE COVERED UNDER KWIK GOAL'S LIFETIME GUARANTEE.  
DO NOT LEAVE THIS EQUIPMENT UNATTENDED.**

5. Add bench plank to frame base, making sure bench plank is centered on frame base. Once bench plank is centered, tighten bolts.

**NOTE: DO NOT OVER-TIGHTEN. OVER-TIGHTENING WILL CAUSE DAMAGE.**



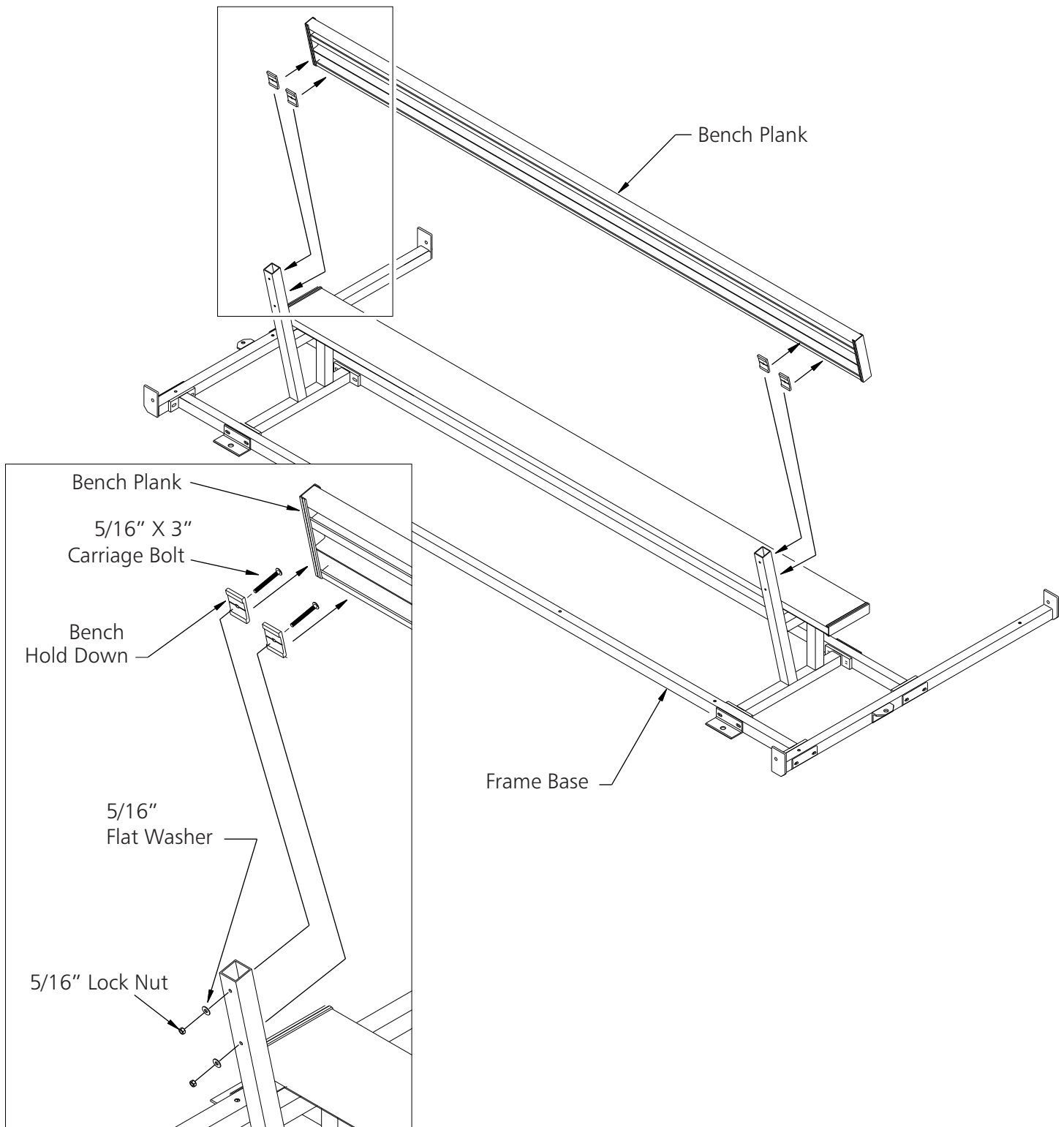
**NOTE: DO NOT TIGHTEN ANY BOLTS AT THIS TIME.**

**THIS UNIT MUST BE ANCHORED ACCORDING TO THESE INSTRUCTIONS AT ALL TIMES**

## **WARNING**

**THIS EQUIPMENT MUST BE STORED IN A SECURE, SHELTERED AREA WHEN NOT IN USE OR IN THE THREAT OF HIGH WINDS.  
ANY WEATHER DAMAGE TO THIS EQUIPMENT WILL NOT BE COVERED UNDER KWIK GOAL'S LIFETIME GUARANTEE.  
DO NOT LEAVE THIS EQUIPMENT UNATTENDED.**

6. Add top bench plank to frame base, making sure bench plank is centered on frame base. Once bench plank is centered, tighten bolts.  
**NOTE: DO NOT OVER-TIGHTEN. OVER-TIGHTENING WILL CAUSE DAMAGE.**

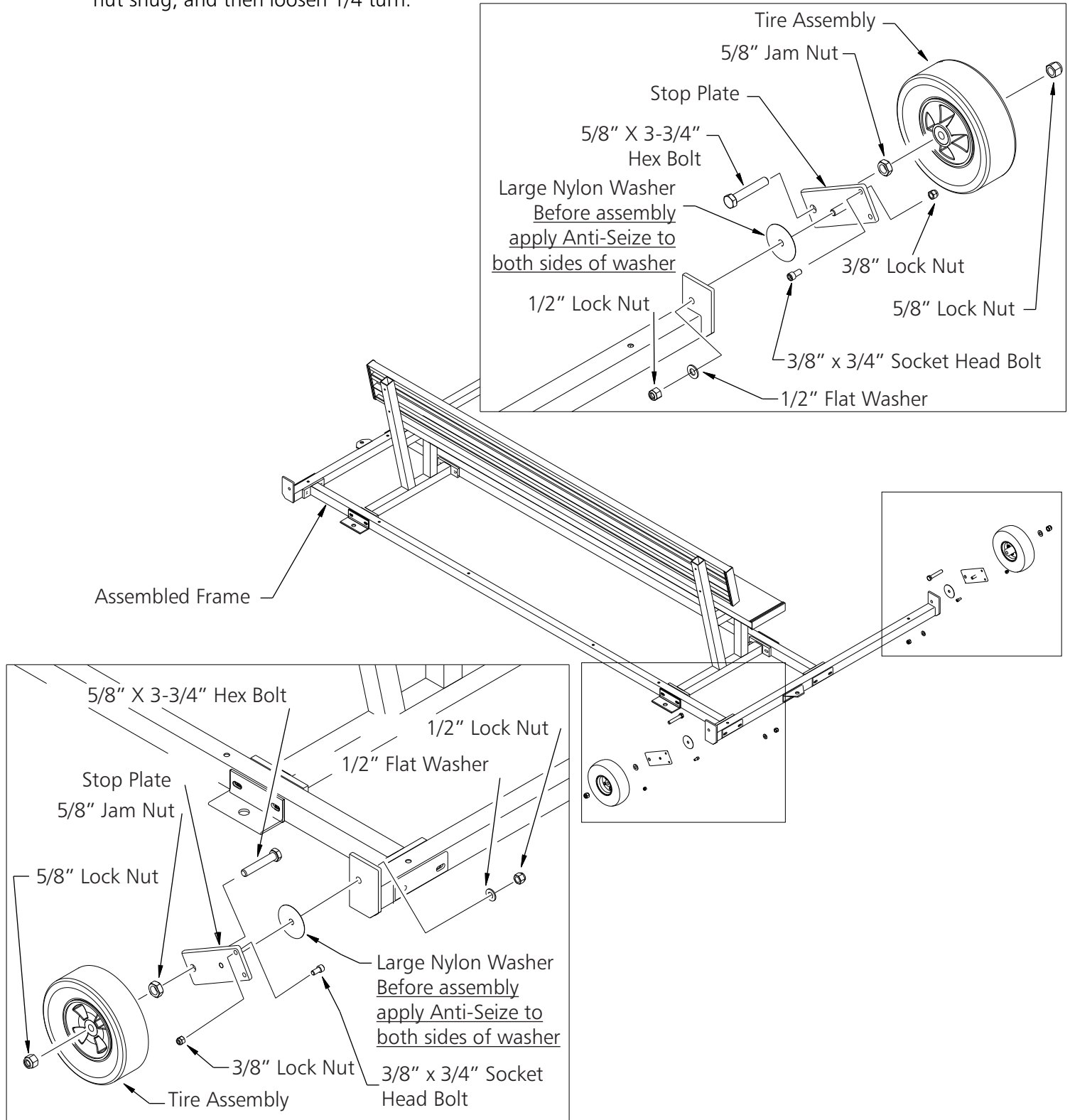


**THIS UNIT MUST BE ANCHORED ACCORDING TO THESE INSTRUCTIONS AT ALL TIMES**

## **WARNING**

**THIS EQUIPMENT MUST BE STORED IN A SECURE, SHELTERED AREA WHEN NOT IN USE OR IN THE THREAT OF HIGH WINDS. ANY WEATHER DAMAGE TO THIS EQUIPMENT WILL NOT BE COVERED UNDER KWIK GOAL'S LIFETIME GUARANTEE. DO NOT LEAVE THIS EQUIPMENT UNATTENDED.**

7. Attach tires on assembled frame base at desired end of shelter.  
 Stop plate must rotate freely on frame tube. Tighten 1/2" lock nut snug, and then loosen 1/4 turn.

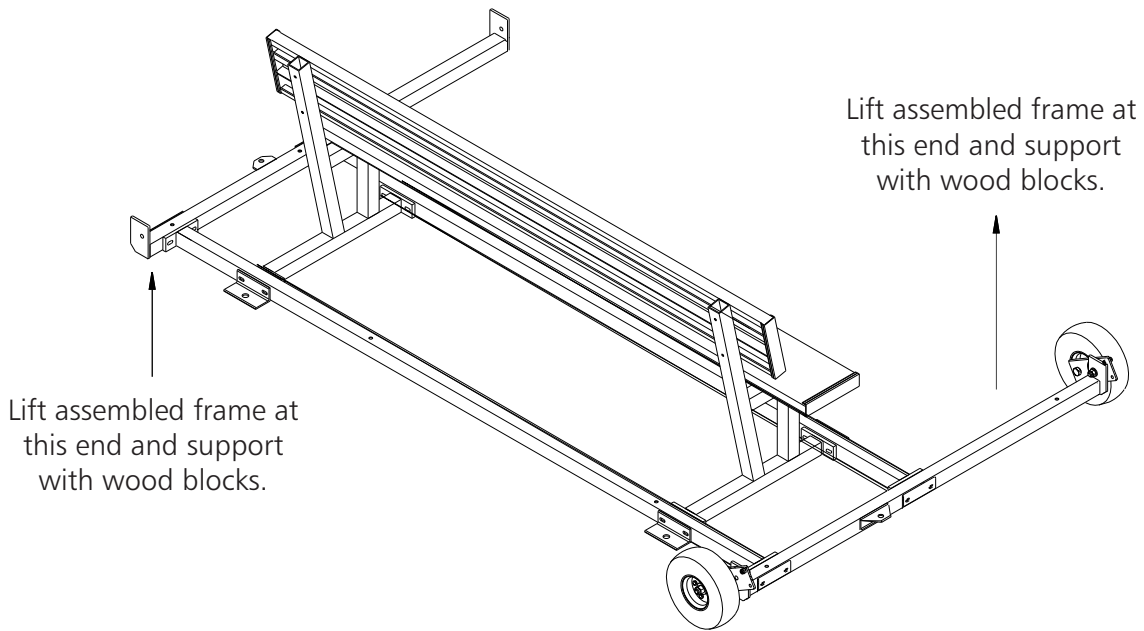


**THIS UNIT MUST BE ANCHORED ACCORDING TO THESE INSTRUCTIONS AT ALL TIMES**

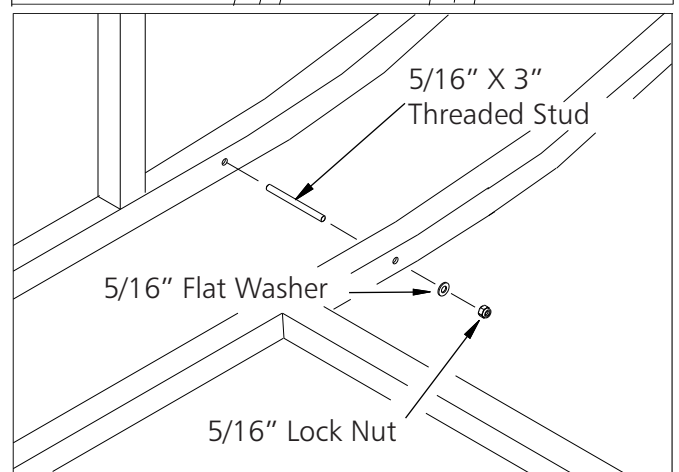
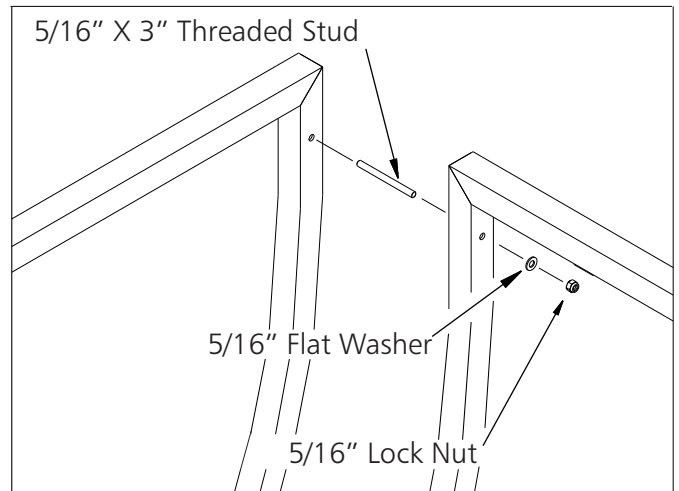
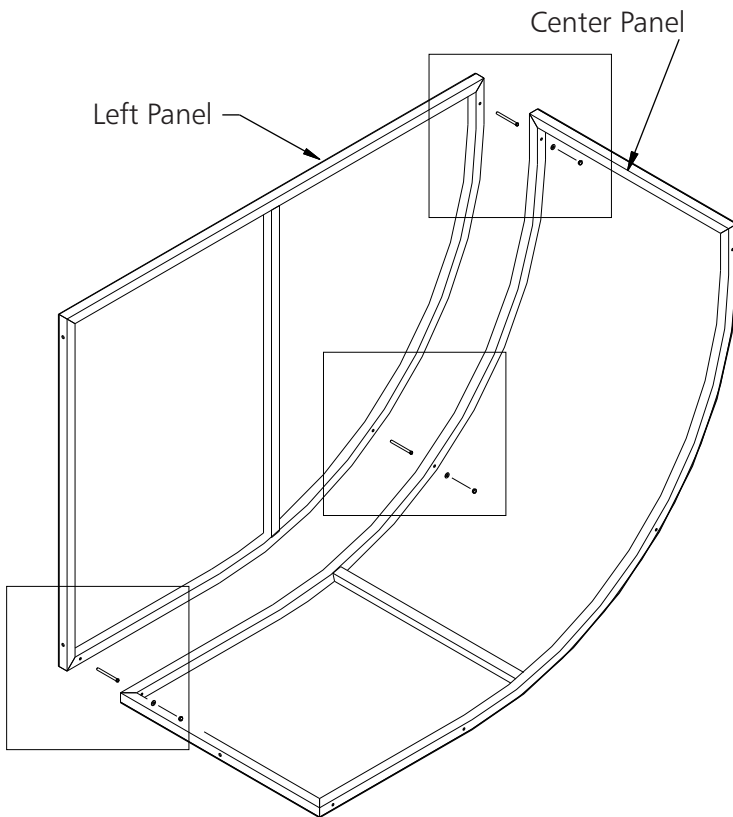
# **WARNING**

**THIS EQUIPMENT MUST BE STORED IN A SECURE, SHELTERED AREA WHEN NOT IN USE OR IN THE THREAT OF HIGH WINDS. ANY WEATHER DAMAGE TO THIS EQUIPMENT WILL NOT BE COVERED UNDER KWIK GOAL'S LIFETIME GUARANTEE. DO NOT LEAVE THIS EQUIPMENT UNATTENDED.**

8. Raise frame base off ground with blocks of wood to attach shelter panels.



9. Install 5/16" x 3" threaded studs into left panel. Screw studs into panel by hand, until they stop. Assemble left side panel and center panel using hardware shown.

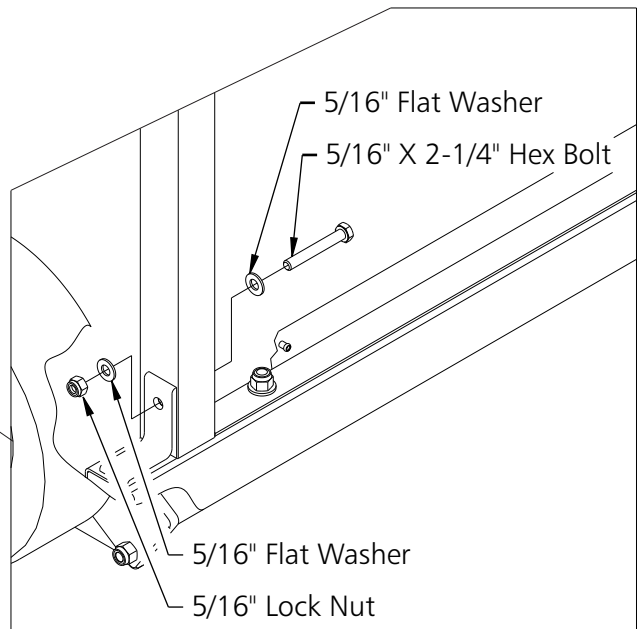
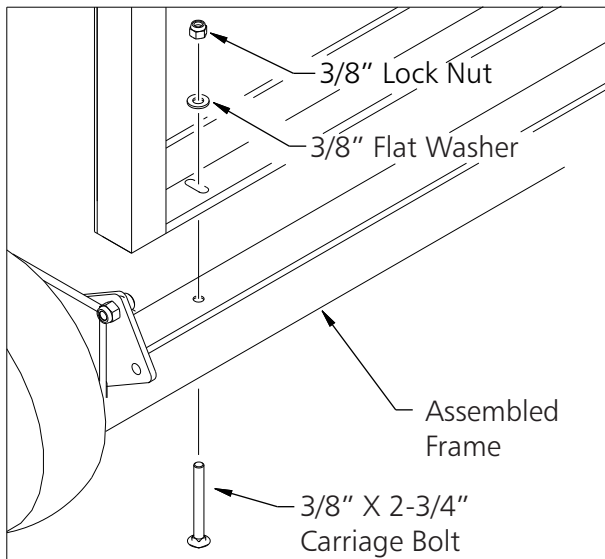
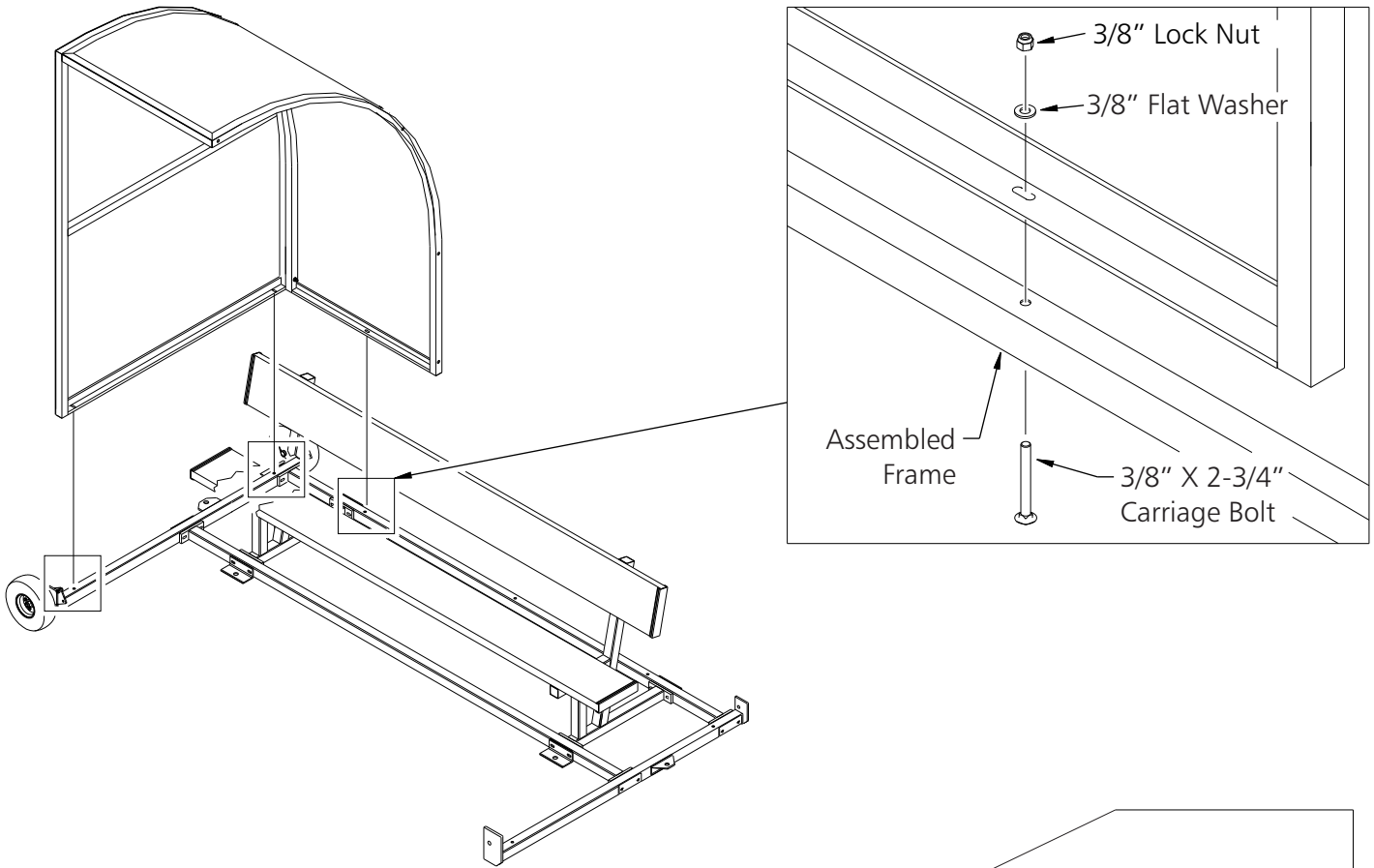


**THIS UNIT MUST BE ANCHORED ACCORDING TO THESE INSTRUCTIONS AT ALL TIMES**

## **WARNING**

**THIS EQUIPMENT MUST BE STORED IN A SECURE, SHELTERED AREA WHEN NOT IN USE OR IN THE THREAT OF HIGH WINDS. ANY WEATHER DAMAGE TO THIS EQUIPMENT WILL NOT BE COVERED UNDER KWIK GOAL'S LIFETIME GUARANTEE. DO NOT LEAVE THIS EQUIPMENT UNATTENDED.**

10. Attach assembled panels to assembled frame base.  
 (NOTE: IF NECESSARY LEFT AND RIGHT FRAME TUBE CAN SLIDE BACK AND FORTH TO LINE UP HOLES OF SIDE PANELS).  
 NOTE: DO NOT TIGHTEN ANY BOLTS AT THIS TIME.



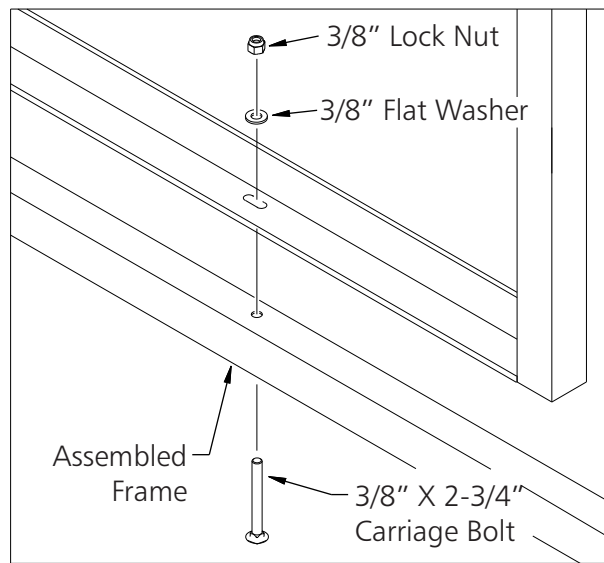
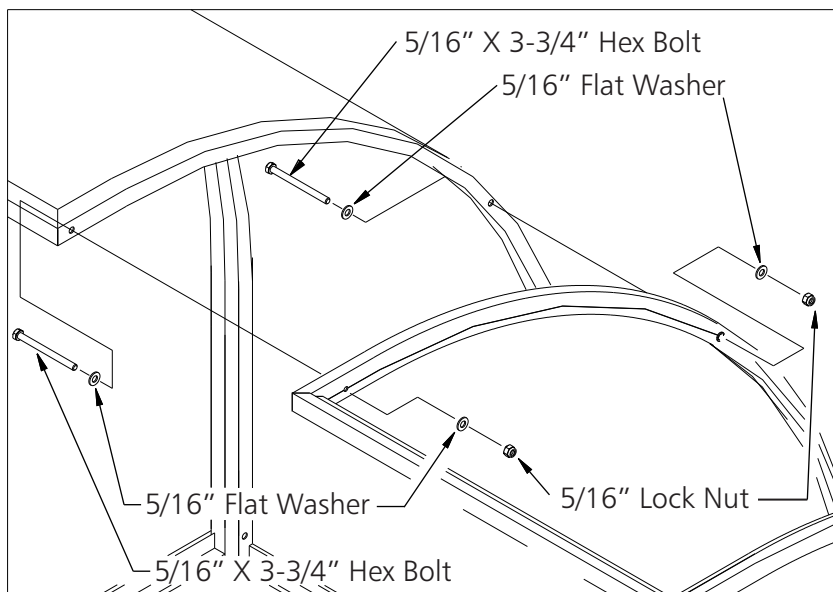
**THIS UNIT MUST BE ANCHORED ACCORDING TO THESE INSTRUCTIONS AT ALL TIMES**

## **WARNING**

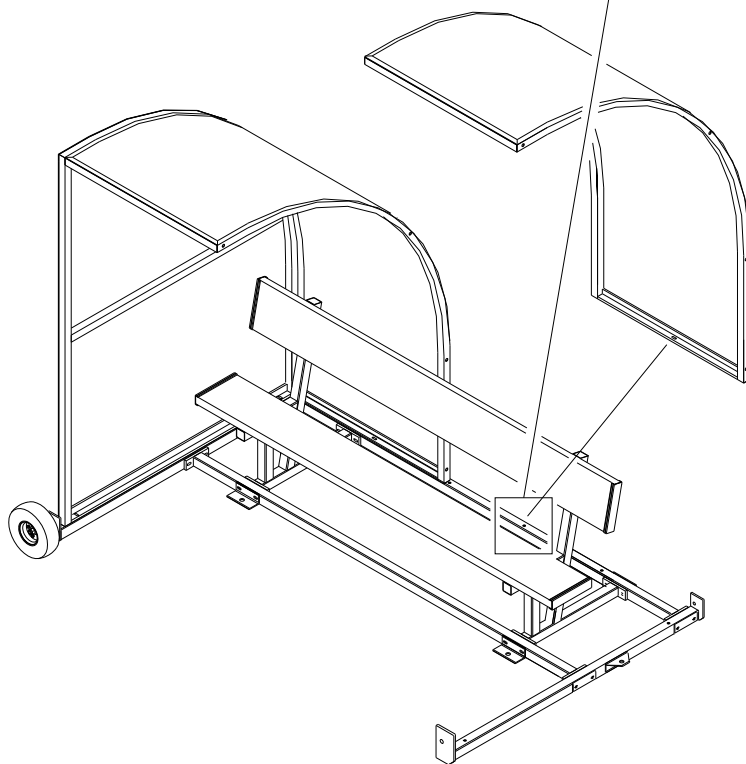
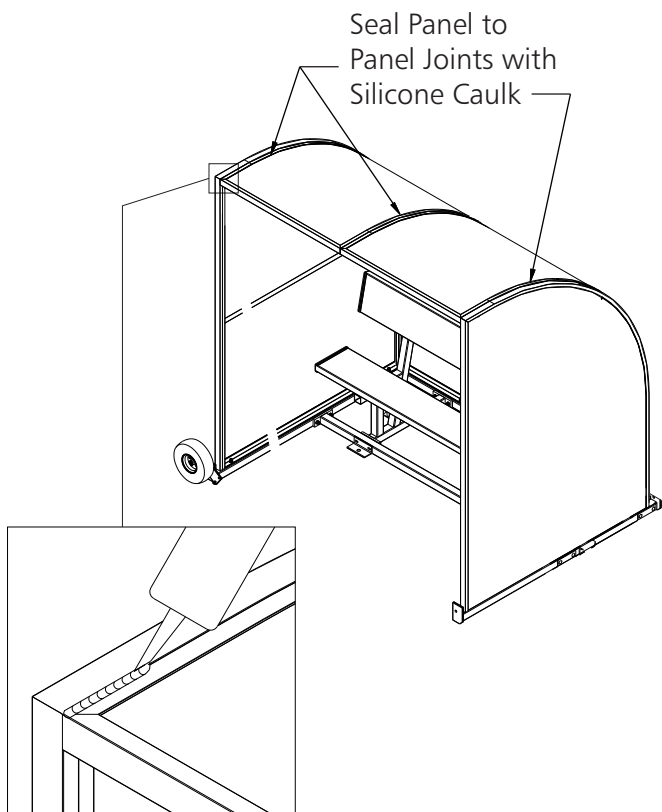
**THIS EQUIPMENT MUST BE STORED IN A SECURE, SHELTERED AREA WHEN NOT IN USE OR IN THE THREAT OF HIGH WINDS.  
 ANY WEATHER DAMAGE TO THIS EQUIPMENT WILL NOT BE COVERED UNDER KWIK GOAL'S LIFETIME GUARANTEE.  
 DO NOT LEAVE THIS EQUIPMENT UNATTENDED.**

11. Add remaining center panel and right side panel to assembled frame base.  
 After all panels are attached tighten bolts on panels and frame.

**NOTE: DO NOT OVER-TIGHTEN. OVER-TIGHTENING WILL CAUSE DAMAGE.**



12. If desired, shelter panel joints may be sealed with a small bead of silicone caulk.

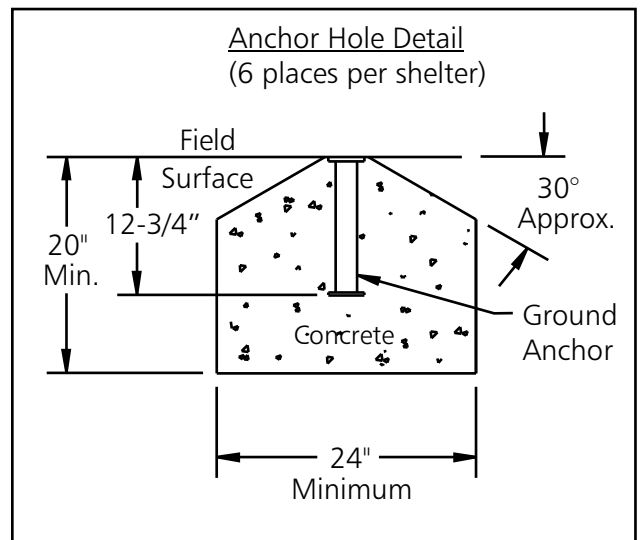
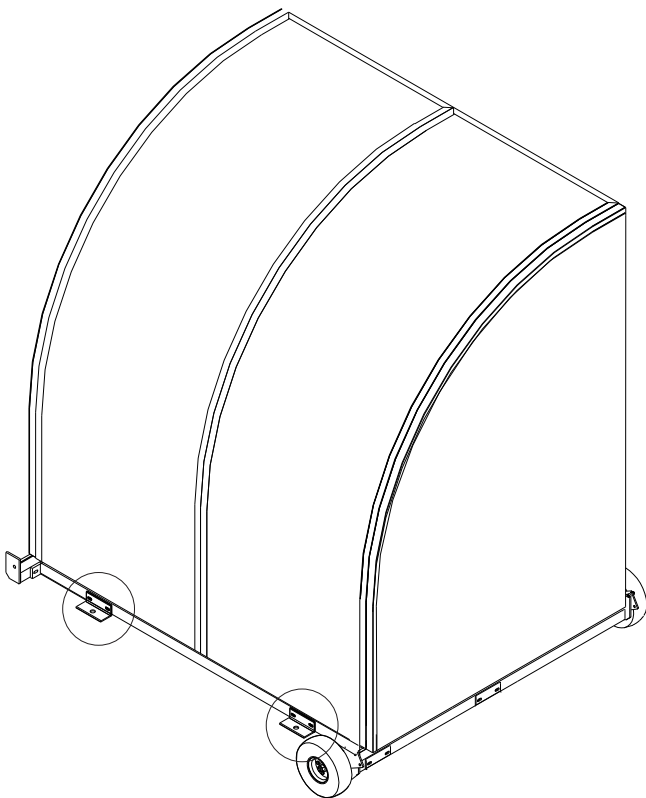
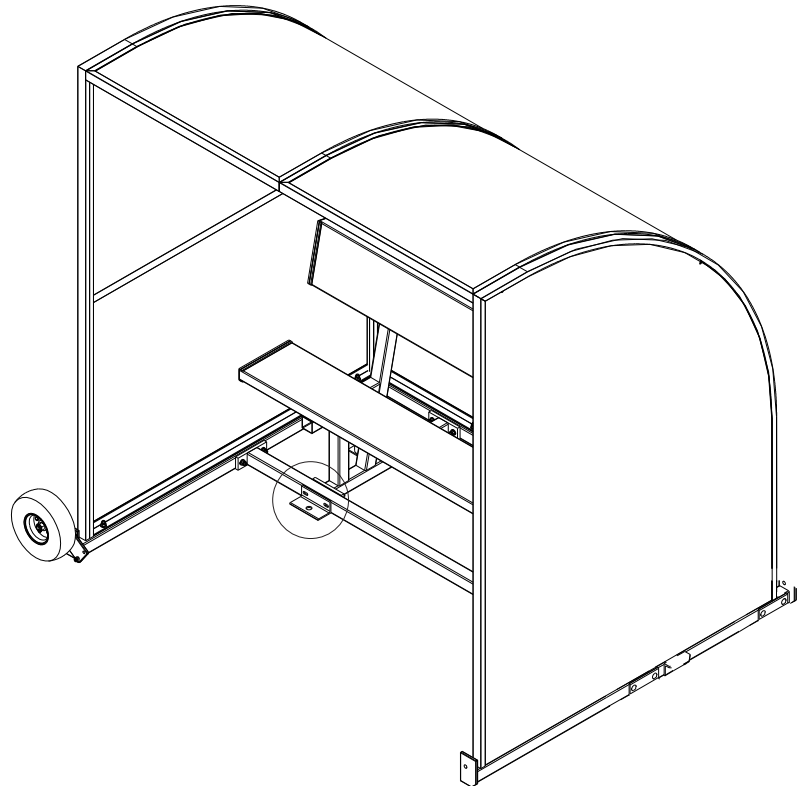
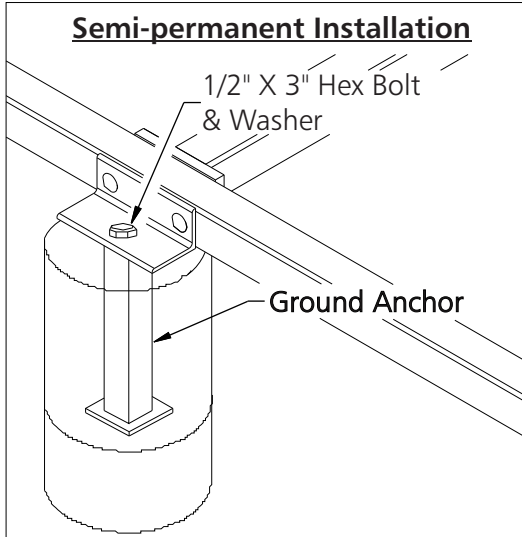


**THIS UNIT MUST BE ANCHORED ACCORDING TO THESE INSTRUCTIONS AT ALL TIMES**

## **WARNING**

**THIS EQUIPMENT MUST BE STORED IN A SECURE, SHELTERED AREA WHEN NOT IN USE OR IN THE THREAT OF HIGH WINDS.  
 ANY WEATHER DAMAGE TO THIS EQUIPMENT WILL NOT BE COVERED UNDER KWIK GOAL'S LIFETIME GUARANTEE.  
 DO NOT LEAVE THIS EQUIPMENT UNATTENDED.**

13. For permanent / semi-permanent installation with ground anchors, move Referee Shelter to desired location and mark ground anchor hole locations. Move shelter and dig four anchor holes a minimum of 24" in diameter and 20" deep. Areas subject to heavy ground frost may go as deep as 36". Set Shelter in installation location over anchor holes. Apply anti-seize compound to ground anchor bolts and attach ground anchors to anchor frame. Fill holes surrounding anchors with concrete. At this time be sure shelter is level and let concrete cure.

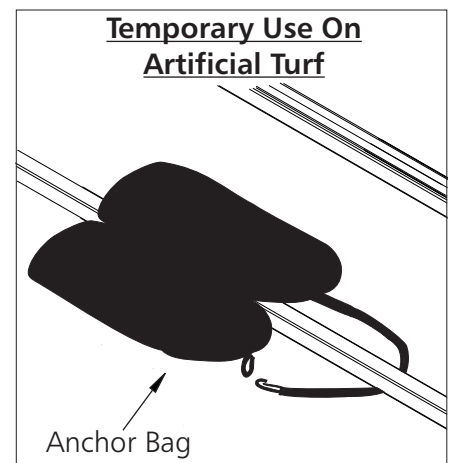
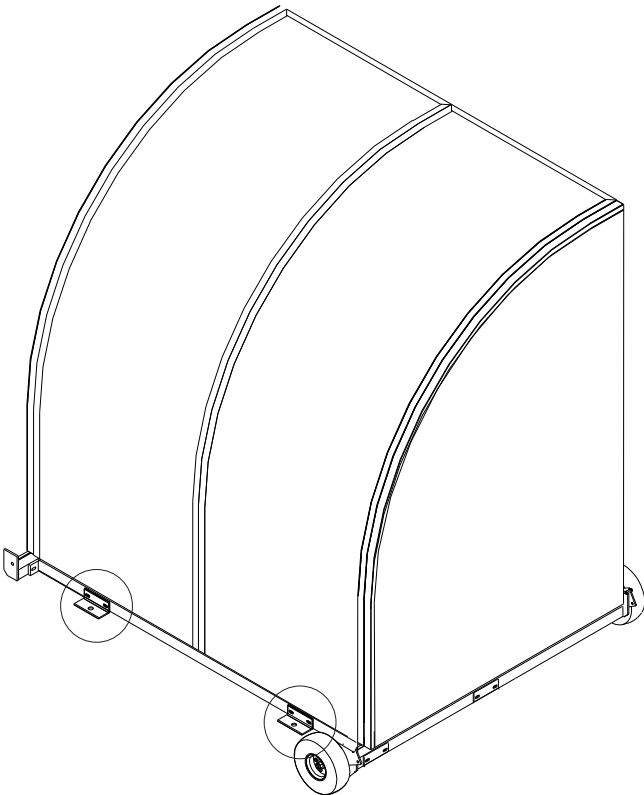
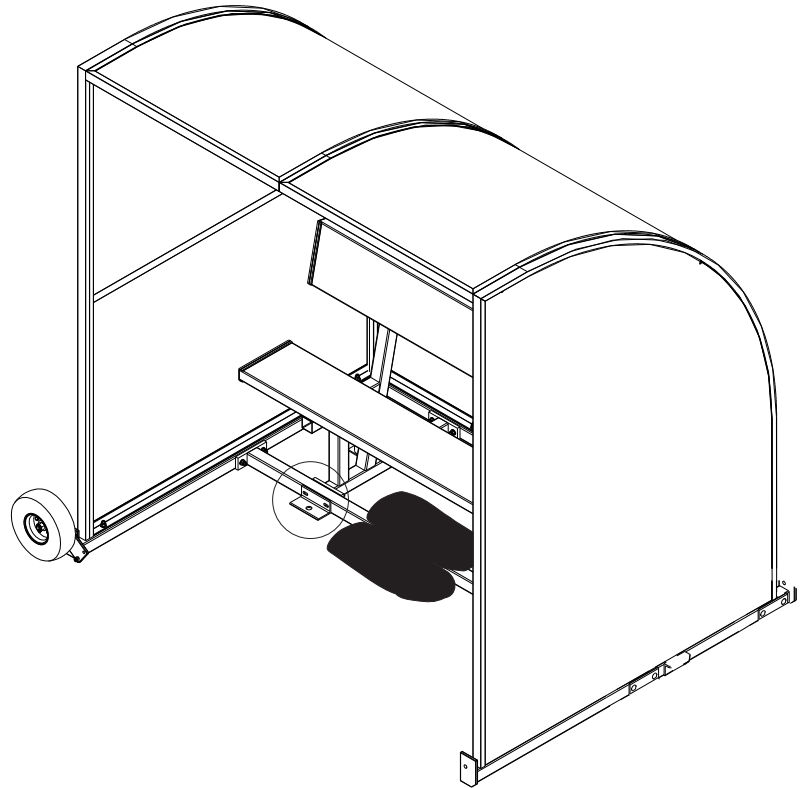
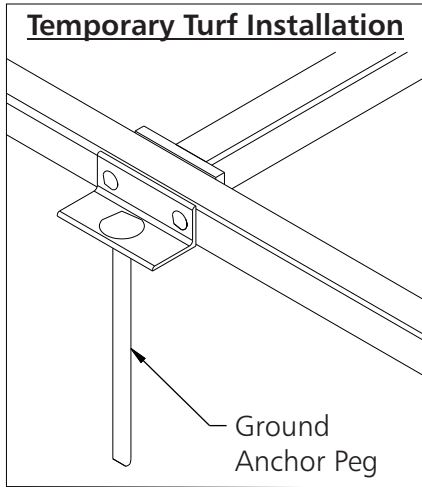


**THIS UNIT MUST BE ANCHORED ACCORDING TO THESE INSTRUCTIONS AT ALL TIMES**

## **WARNING**

**THIS EQUIPMENT MUST BE STORED IN A SECURE, SHELTERED AREA WHEN NOT IN USE OR IN THE THREAT OF HIGH WINDS. ANY WEATHER DAMAGE TO THIS EQUIPMENT WILL NOT BE COVERED UNDER KWIK GOAL'S LIFETIME GUARANTEE. DO NOT LEAVE THIS EQUIPMENT UNATTENDED.**

14. For **temporary** anchoring under **supervised** conditions, Anchor Bags and/or Ground Anchor Pegs may be used.

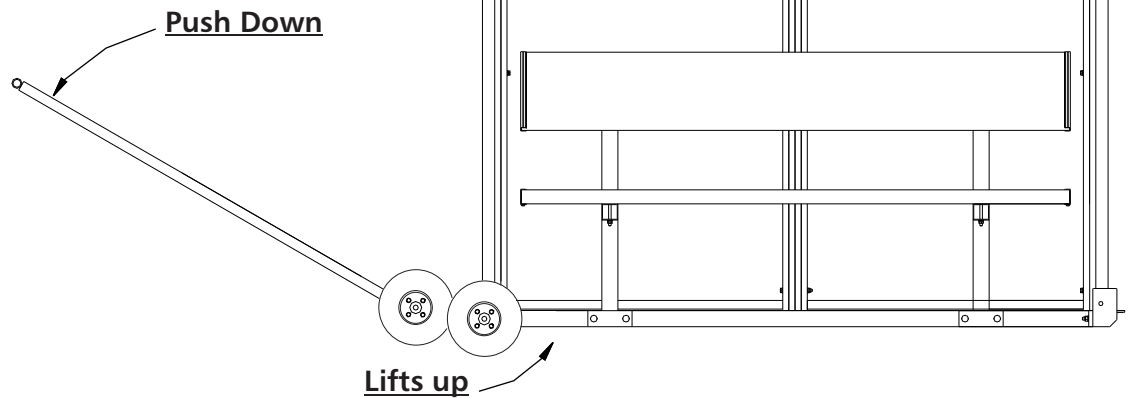
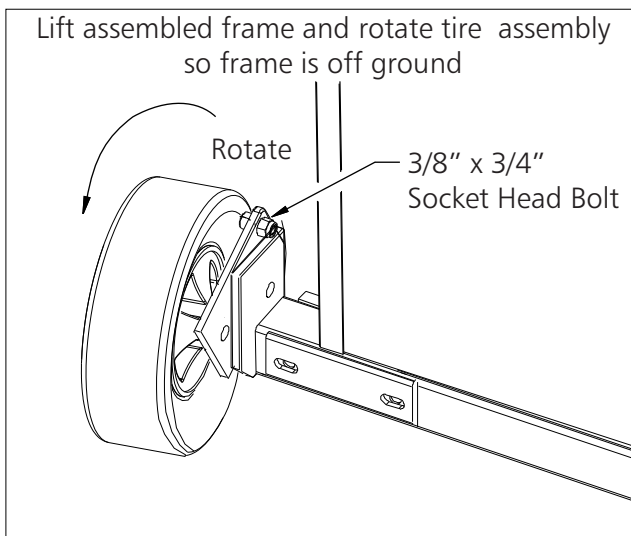
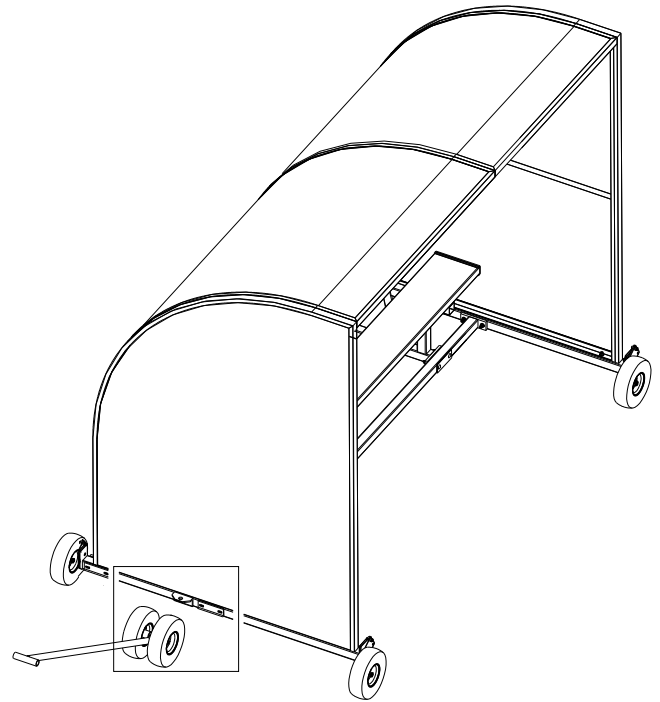
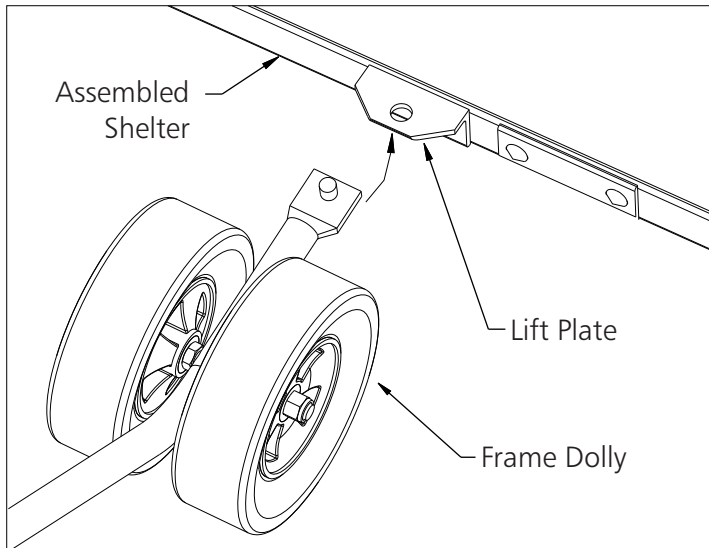


**THIS UNIT MUST BE ANCHORED ACCORDING TO THESE INSTRUCTIONS AT ALL TIMES**

## **WARNING**

**THIS EQUIPMENT MUST BE STORED IN A SECURE, SHELTERED AREA WHEN NOT IN USE OR IN THE THREAT OF HIGH WINDS. ANY WEATHER DAMAGE TO THIS EQUIPMENT WILL NOT BE COVERED UNDER KWIK GOAL'S LIFETIME GUARANTEE. DO NOT LEAVE THIS EQUIPMENT UNATTENDED.**

15. To move shelter, remove anchor bolts or pegs. Use frame dolly to lift end with tires and flip tires so frame is off the ground.

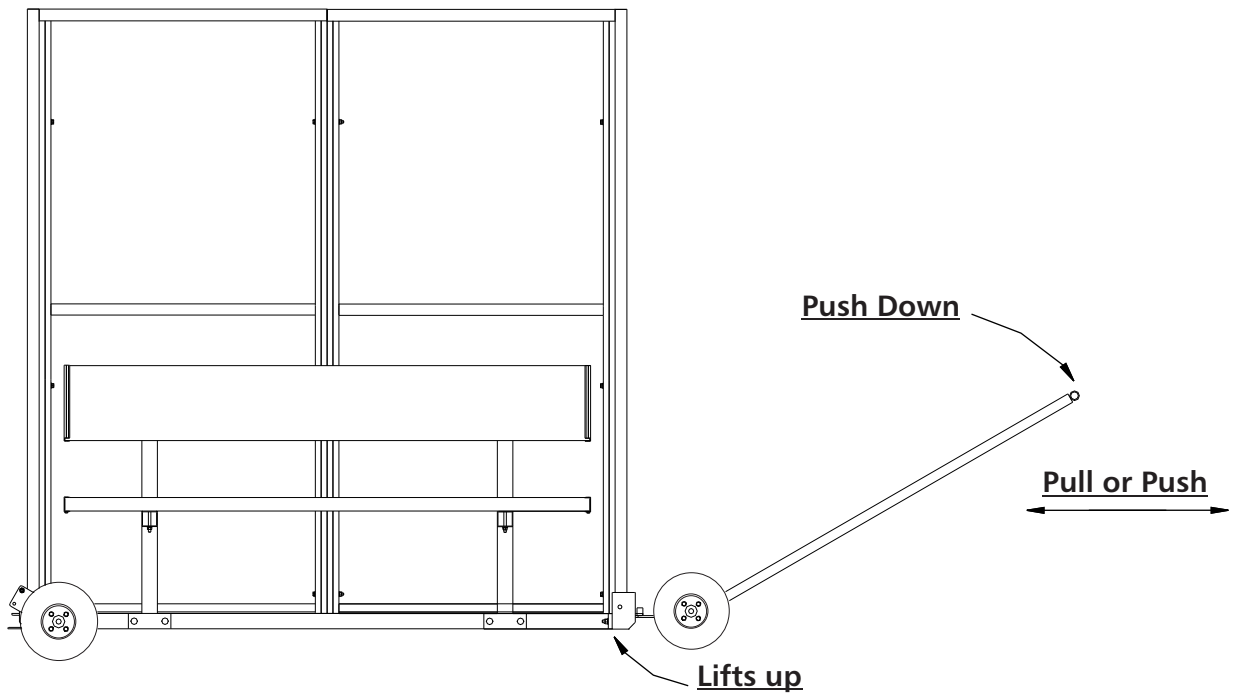
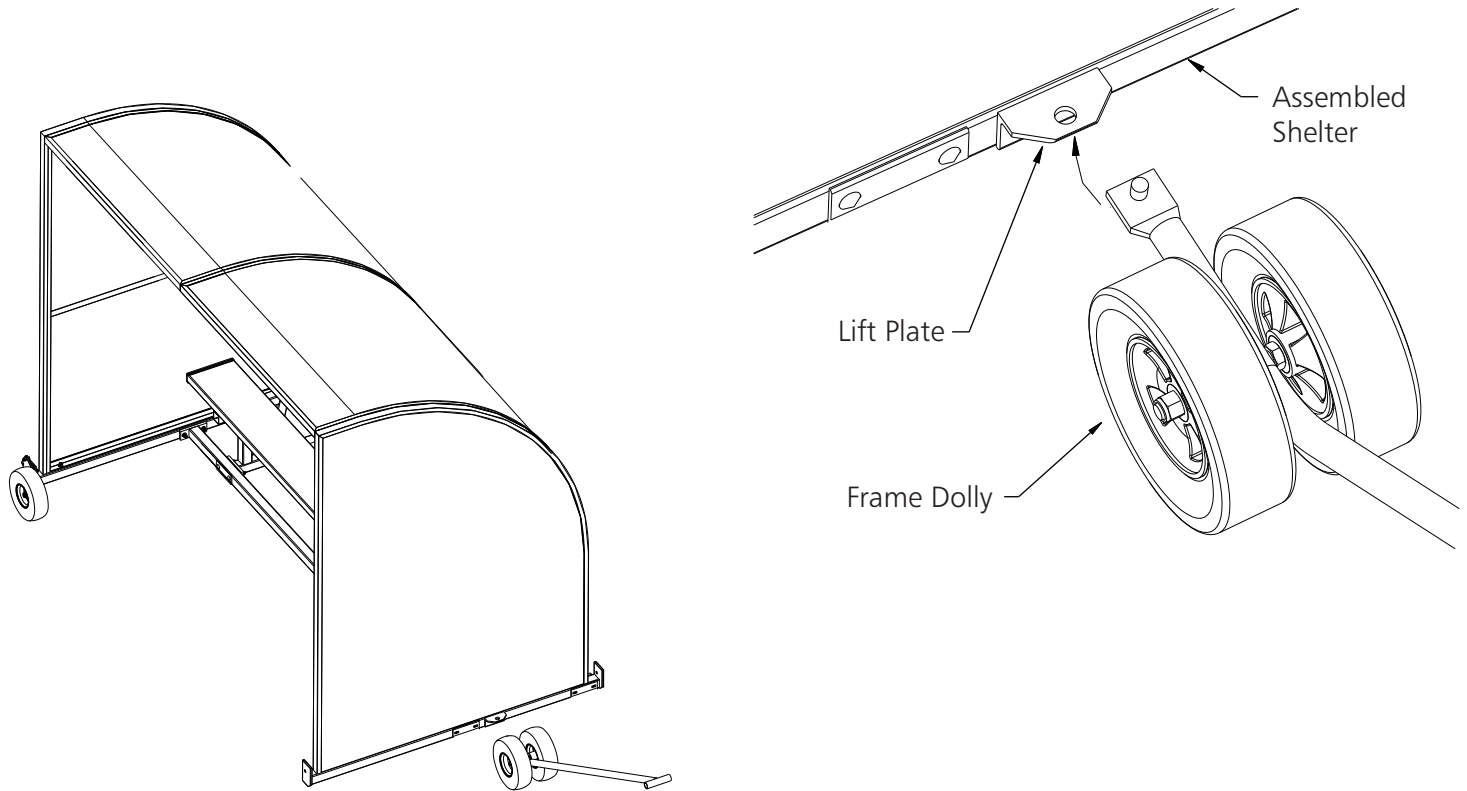


**THIS UNIT MUST BE ANCHORED ACCORDING TO THESE INSTRUCTIONS AT ALL TIMES**

## **WARNING**

**THIS EQUIPMENT MUST BE STORED IN A SECURE, SHELTERED AREA WHEN NOT IN USE OR IN THE THREAT OF HIGH WINDS. ANY WEATHER DAMAGE TO THIS EQUIPMENT WILL NOT BE COVERED UNDER KWIK GOAL'S LIFETIME GUARANTEE. DO NOT LEAVE THIS EQUIPMENT UNATTENDED.**

16. Remove frame dolly and lift opposite end of shelter and push or pull shelter as needed.



**THIS UNIT MUST BE ANCHORED ACCORDING TO THESE INSTRUCTIONS AT ALL TIMES**

## **WARNING**

**THIS EQUIPMENT MUST BE STORED IN A SECURE, SHELTERED AREA WHEN NOT IN USE OR IN THE THREAT OF HIGH WINDS. ANY WEATHER DAMAGE TO THIS EQUIPMENT WILL NOT BE COVERED UNDER KWIK GOAL'S LIFETIME GUARANTEE. DO NOT LEAVE THIS EQUIPMENT UNATTENDED.**