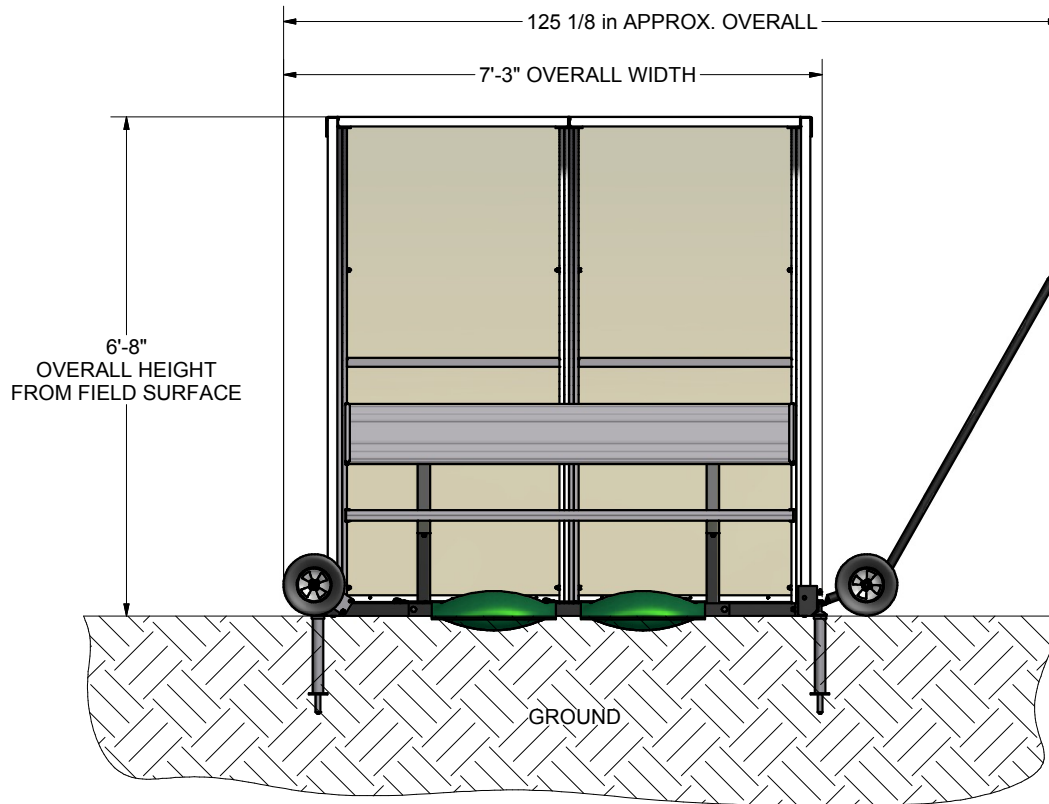
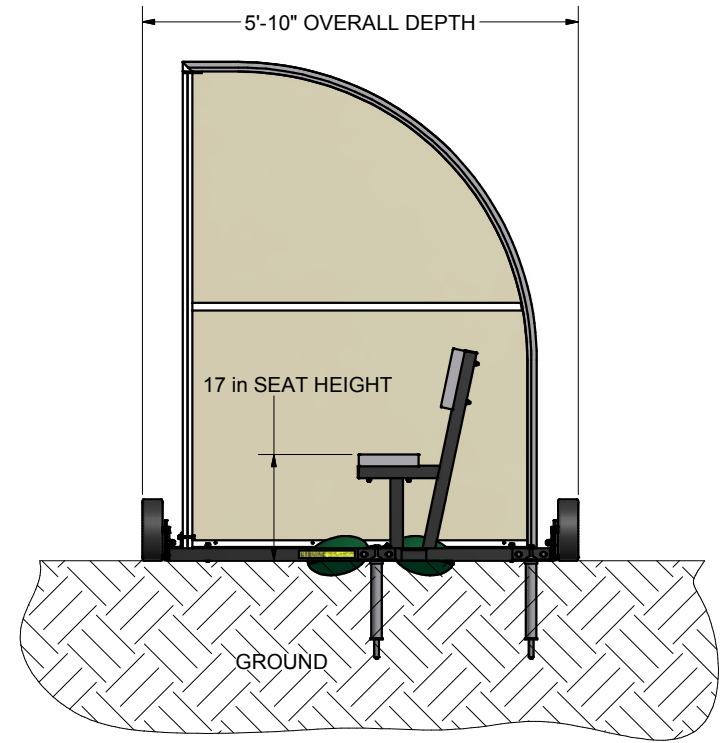


FRONT VIEW



SIDE VIEW



FEATURES:

1) MATERIAL:

- ALUMINUM PANEL FRAMES AND BENCH PLANKS
- STEEL GROUND FRAME, BENCH FRAMES, AND DOLLY
- SMOKE COLORED LEXAN® POLYCARBONATE PANELS

2) FINISH:

- PANELS - UV RESISTANT COATING, WHITE POWDER COAT FRAMES
- BENCH PLANKS - CLEAR ANODIZED
- GROUND AND BENCH FRAMES - BLACK POWDER COAT

3) INCLUDED:

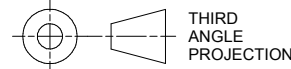
- 6' BENCH WITH BACK
- DOLLY WITH WHEELS
- SEMI PERMANENT GROUND ANCHORS (4)
- 16" GROUND ANCHOR PEGS (4)
- SADDLE ANCHOR BAGS (2)
- RELIANCE TURF PRO NO-FLAT TIRES (2-SHELTER FRAME, 2- DOLLY)

4) ASSEMBLED WEIGHT: 330 LBS.

Finish Info. POWDER COAT - BLACK GROUND FRAME, WHITE PANEL FRAME
LEXAN - SMOKE

WARNING

THIS EQUIPMENT MUST BE STORED IN A SECURE, SHELTERED AREA WHEN NOT IN USE OR IN THE THREAT OF HIGH WINDS. ANY WEATHER DAMAGE TO THIS EQUIPMENT WILL NOT BE COVERED UNDER KWIK GOAL'S LIFETIME GUARANTEE. DO NOT LEAVE THIS EQUIPMENT UNATTENDED.



THIRD ANGLE PROJECTION

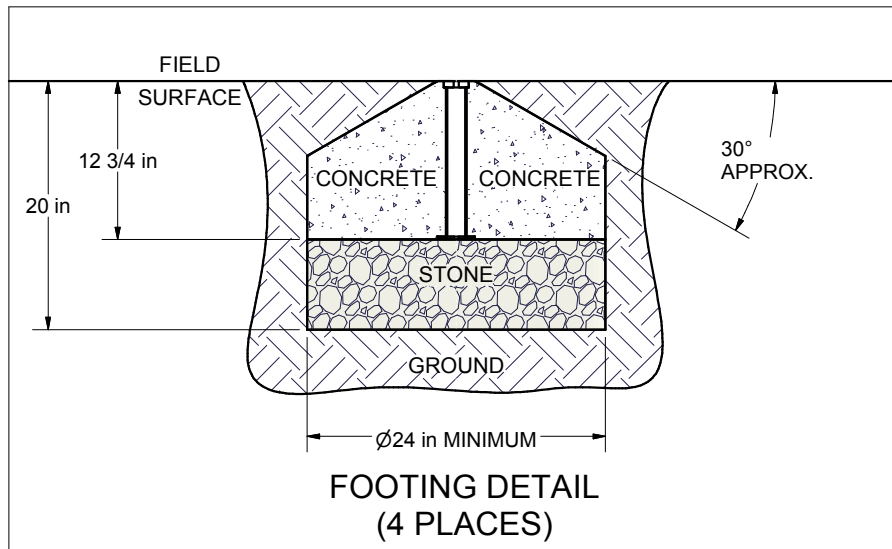
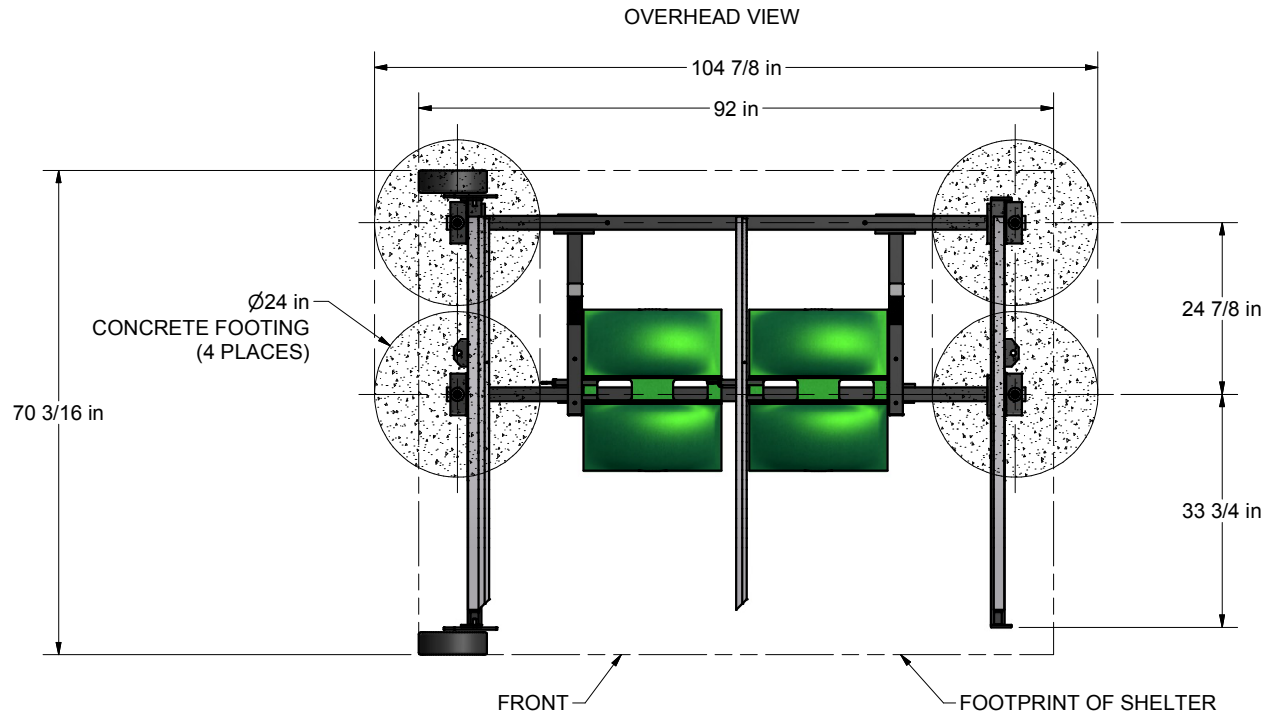
KWIKGOAL® 140 Pacific Drive
Quakertown, Pa. 18951

DIMENSIONS ARE IN INCHES UNLESS OTHERWISE SPECIFIED

This item is the **exclusive** property of **KWIK GOAL LTD.** Reproduction or duplication **without** the express written consent of **KWIK GOAL LTD.** is **strictly forbidden.**

Approved By:
Date:
Drawn By: cspeck
Date: 7/16/2003
Sheet: 1 of 4
Revision #: 4
Cad File: 9B701.idw

Part #: **9B701**
Desc: REFEREE SHELTER



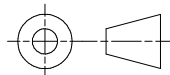

NOTES:

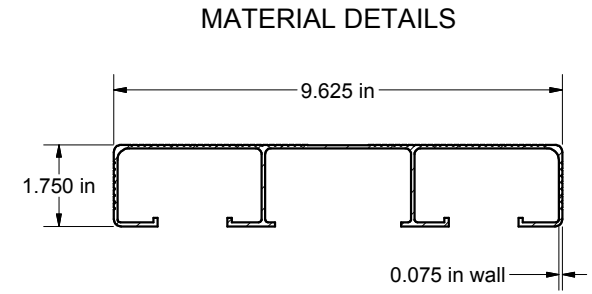
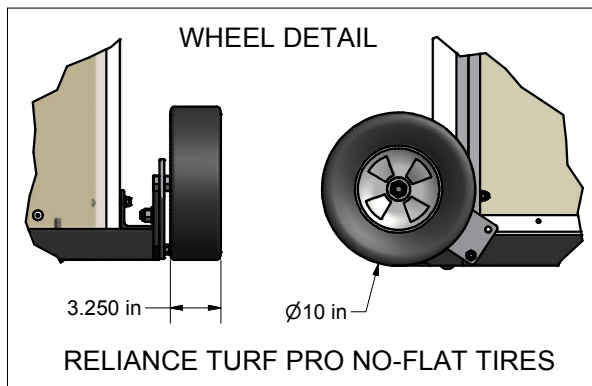
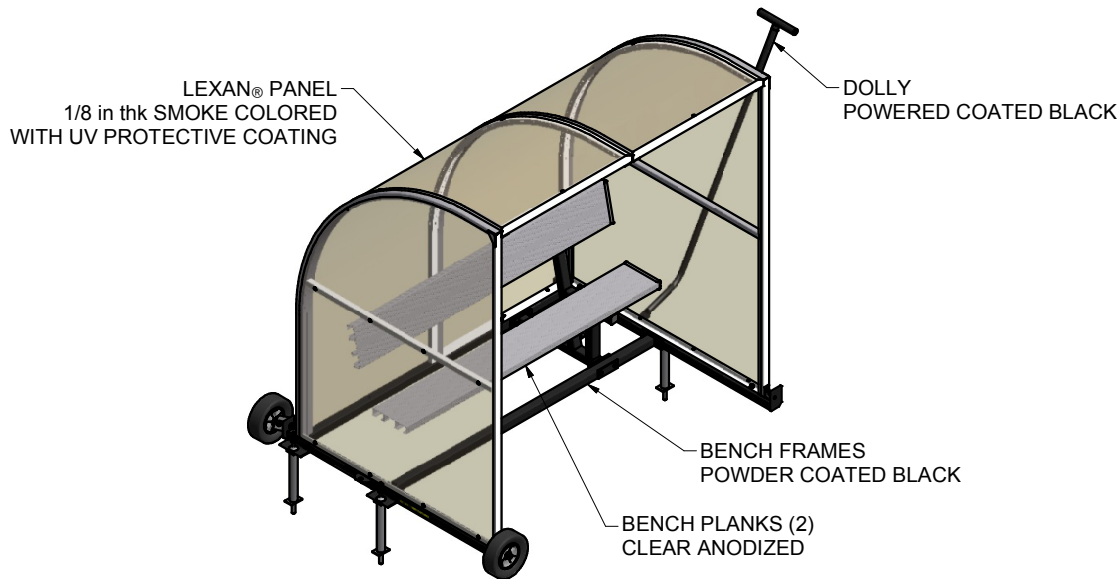
1) DIMENSIONS ARE FOR PLANNING PURPOSES. INSTALLATION MUST BE IN ACCORDANCE WITH INSTALLATION INSTRUCTIONS.

MATERIAL REQUIRED, BUT NOT SUPPLIED

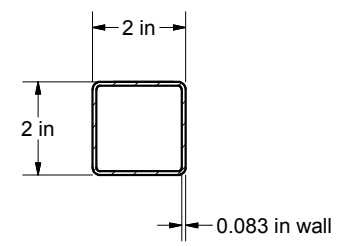
0.4 cubic yard - CONCRETE
0.3 cubic yard - CLEAN STONE (1/4" - 3/4")
ABOVE AMOUNTS ARE PER UNIT INSTALLATION

Finish Info. POWDER COAT - BLACK GROUND FRAME, WHITE PANEL FRAME
LEXAN - SMOKE

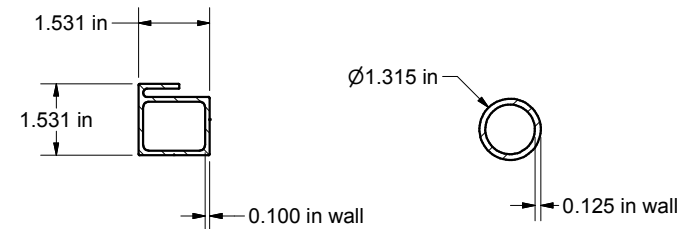
| | | |
|---|---|-------------------------------------|
|  THIRD ANGLE PROJECTION |  140 Pacific Drive Quakertown, Pa. 18951 | |
| DIMENSIONS ARE IN INCHES UNLESS OTHERWISE SPECIFIED | <i>Approved By:</i> | <i>Part #:</i> 9B701 |
| | <i>Date:</i> | |
| This item is the exclusive property of KWIK GOAL LTD. Reproduction or duplication without the express written consent of KWIK GOAL LTD. is strictly forbidden. | <i>Drawn By:</i> cspeck | <i>Desc:</i> REFEREE SHELTER |
| | <i>Date:</i> 7/16/2003 | |
| | <i>Sheet:</i> 2 of 4 | |
| | <i>Revision #:</i> 4 | |
| | <i>Cad File:</i> 9B701.idw | |



SEAT & BACK BENCH PLANK
MATERIAL - ALUMINUM



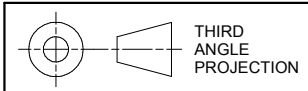
GROUND & BENCH FRAME
MATERIAL - STEEL



PANEL FRAME
MATERIAL - ALUMINUM

DOLLY
MATERIAL - STEEL

Finish Info. POWDER COAT - BLACK GROUND FRAME, WHITE PANEL FRAME
LEXAN - SMOKE



DIMENSIONS ARE IN INCHES
UNLESS OTHERWISE SPECIFIED

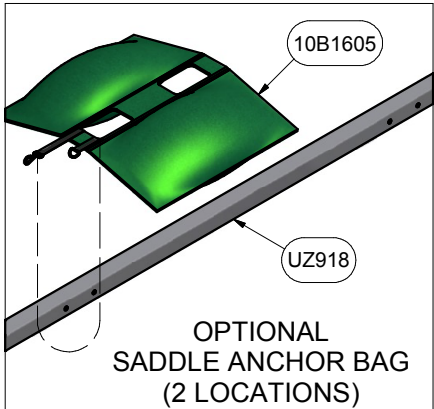
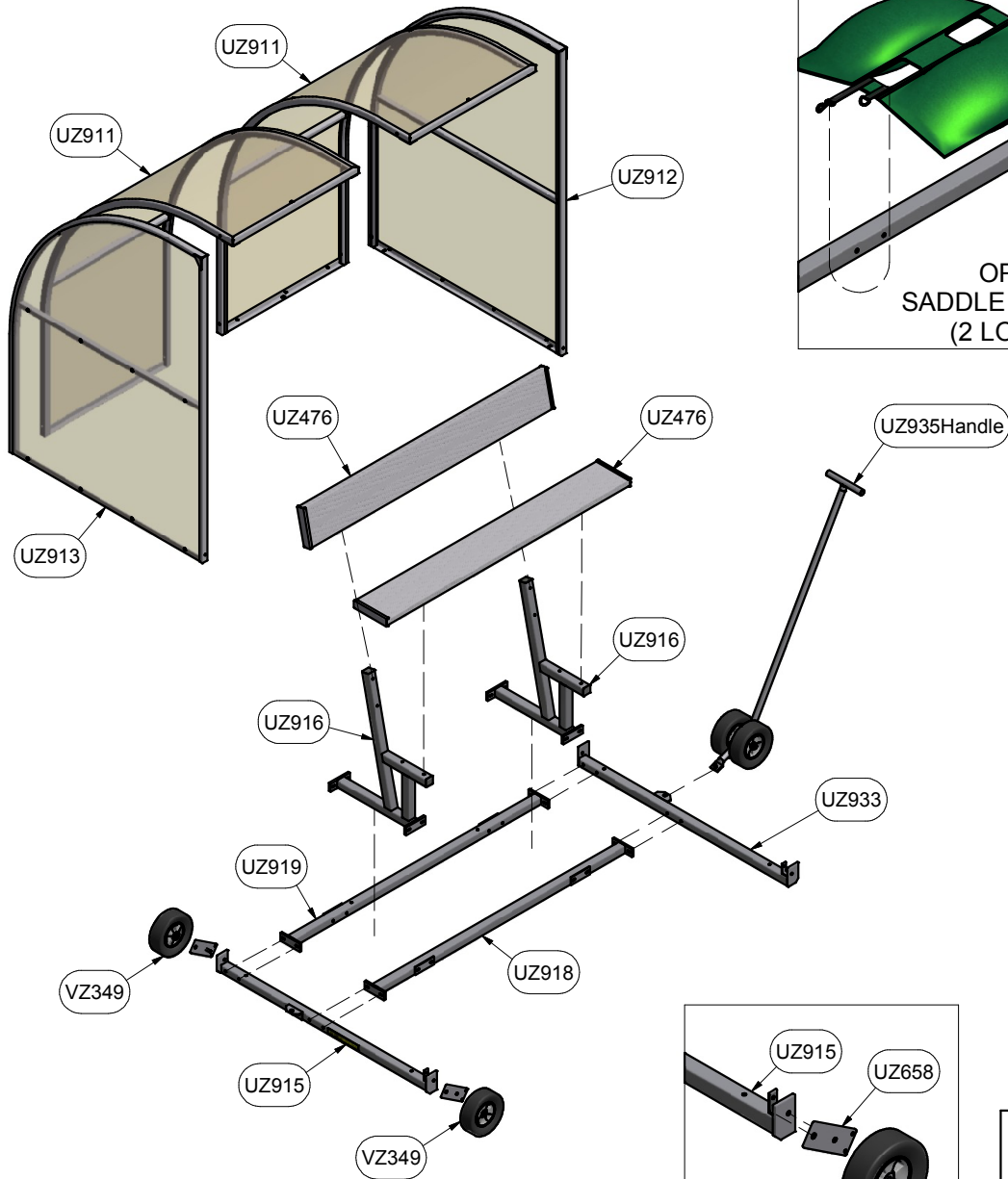
Approved By:
Date:

Part #:
9B701

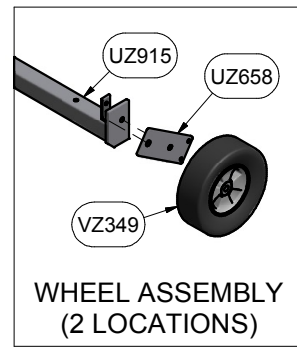
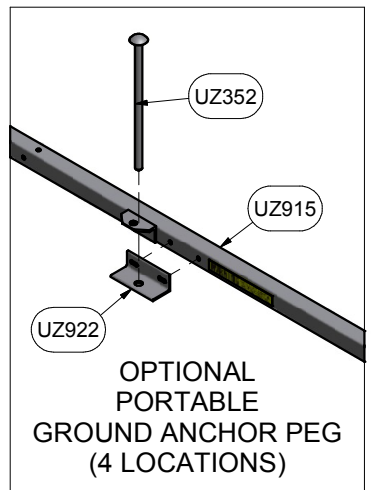
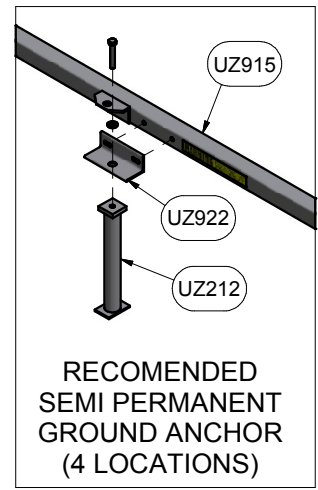
This item is the **exclusive** property of **KWIK GOAL LTD.** Reproduction or duplication **without** the express written consent of **KWIK GOAL LTD.** is **strictly forbidden.**

Drawn By: cspeck
Date: 7/16/2003
Sheet: 3 of 4
Revision #: 4
Cad File: 9B701.idw

Desc:
REFEREE SHELTER



| Parts List | | |
|-------------|-----|----------------------------------|
| Part # | Qty | Description |
| UZ911 | 2 | PANEL, REAR, 9B401 & 9B701 |
| UZ912 | 1 | PANEL, RIGHT, 9B401 & 9B701 |
| UZ913 | 1 | PANEL, LEFT, 9B401 & 9B701 |
| UZ915 | 1 | FRAME TUBE, LEFT, 9B401 & 9B701 |
| UZ918 | 1 | FRAME TUBE, FRONT, 9B701 |
| UZ919 | 1 | FRAME TUBE, REAR, 9B701 |
| UZ920 | 4 | FRAME PLATE, SHELTER |
| UZ922 | 4 | ANCHOR ANGLE, SHELTER |
| UZ933 | 1 | FRAME TUBE, RIGHT, 9B401 & 9B701 |
| UZ658 | 2 | PLATE, WHEEL STOP |
| UZ212 | 4 | GROUND ANCHOR |
| UZ935Handle | 1 | SHELTER DOLLY |
| VZ349 | 2 | FLAT PROOF TIRE |
| UZ352 | 4 | 16" GROUND ANCHOR PEG |
| 10B1605 | 2 | SADDLE ANCHOR BAG |
| UZ916 | 2 | BENCH FRAME, 9B401 & 9B701 |
| UZ476 | 2 | BENCH SEAT (6') |



Finish Info. POWDER COAT - BLACK GROUND FRAME, WHITE PANEL FRAME
LEXAN - SMOKE

THIRD ANGLE PROJECTION

DIMENSIONS ARE IN INCHES UNLESS OTHERWISE SPECIFIED

This item is the **exclusive** property of **KWIK GOAL LTD.** Reproduction or duplication **without** the express written consent of **KWIK GOAL LTD.** is **strictly forbidden.**

KWIKGOAL® 140 Pacific Drive
Quakertown,
Pa. 18951

Approved By: _____
Date: _____

Part #: **9B701**

Drawn By: cspeck
Date: 7/16/2003
Sheet: 4 of 4
Revision #: 4

Desc: REFEREE SHELTER

Cad File: 9B701.idw