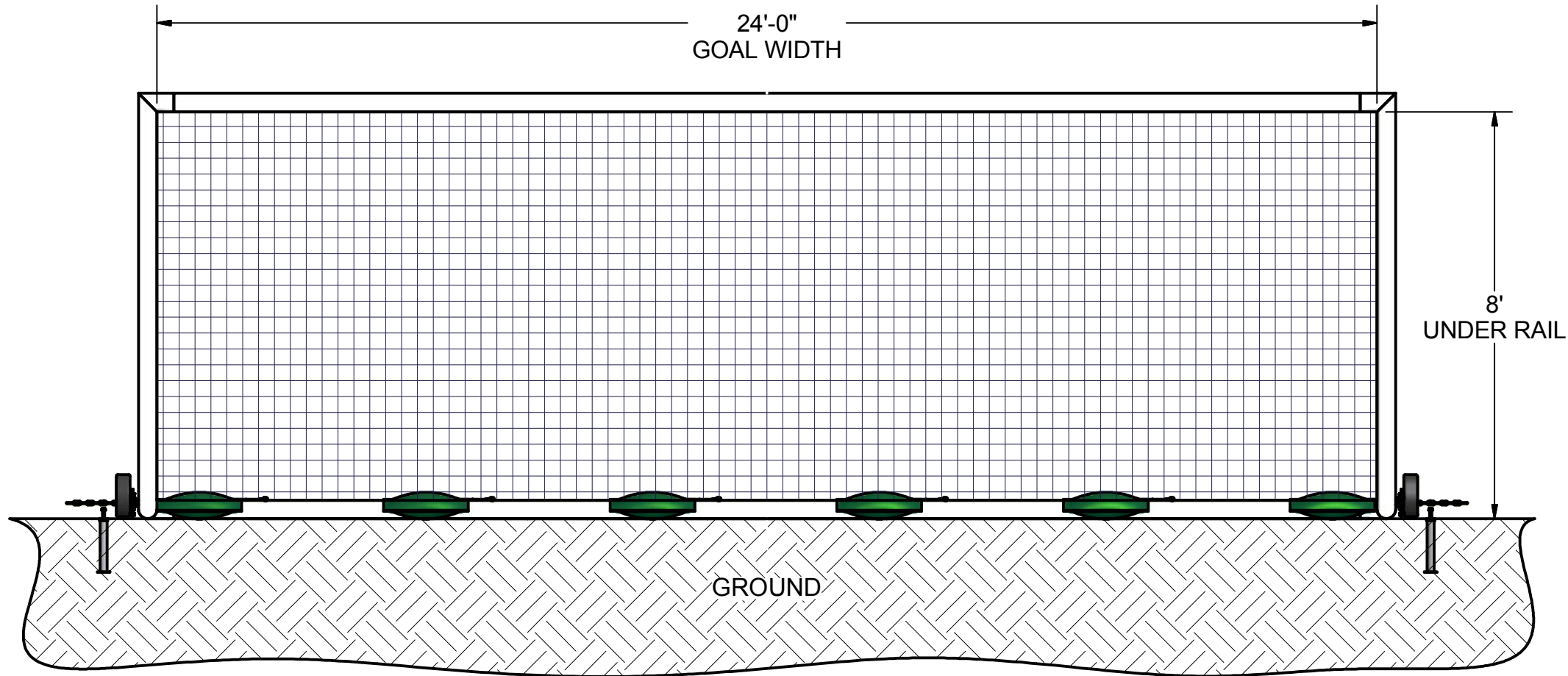
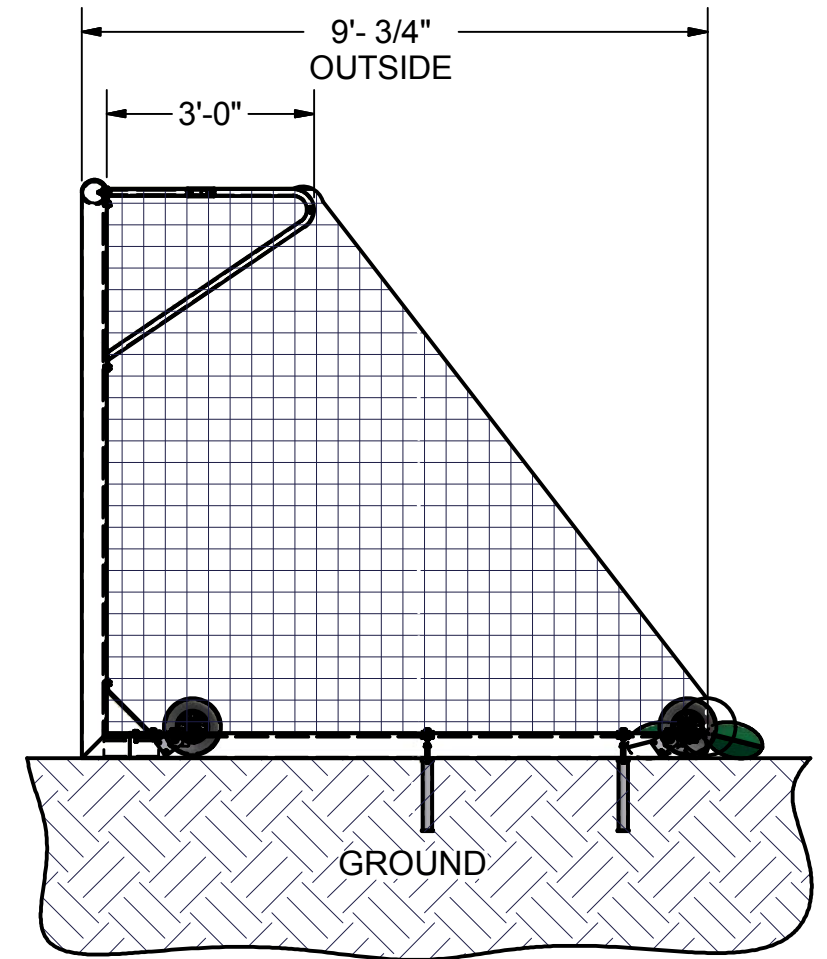


FRONT VIEW



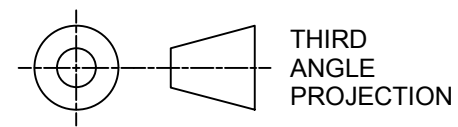
SIDE VIEW



FEATURES:

- 1) ALUMINUM GOAL FRAME AND BACKDROPS
- 2) FINISH: WHITE POWDER COAT
- 3) INCLUDED:
 - SEMI PERMANENT GROUND ANCHORS
 - 3 mm, WHITE NET
 - KWIK LOCK NET CLIPS
 - 4 RELIANCE TURF PRO NO-FLAT TIRES
 - 6 - SADDLE ANCHOR BAGS
- 4) ASSEMBLED GOAL WEIGHT: 258 LBS.
- 5) EXCEEDS:
 - NCAA SPECIFICATIONS
 - NFSHSA SPECIFICATIONS
 - ASTM F2056-00 STANDARDS

Finish Info.



KWIKGOAL® 140 Pacific Drive
Quakertown, Pa. 18951

DIMENSIONS ARE IN INCHES UNLESS OTHERWISE SPECIFIED

Approved By:
Date:

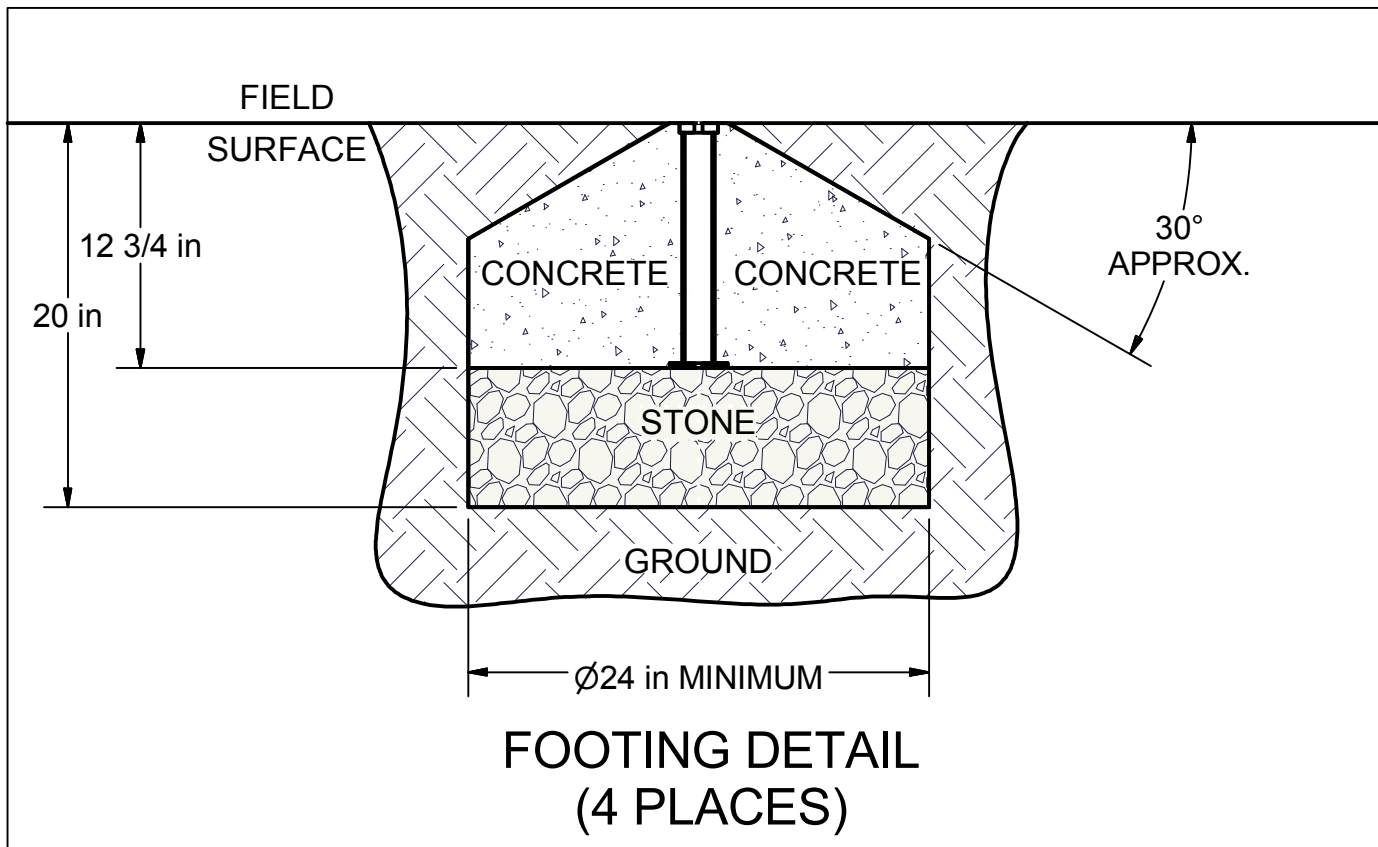
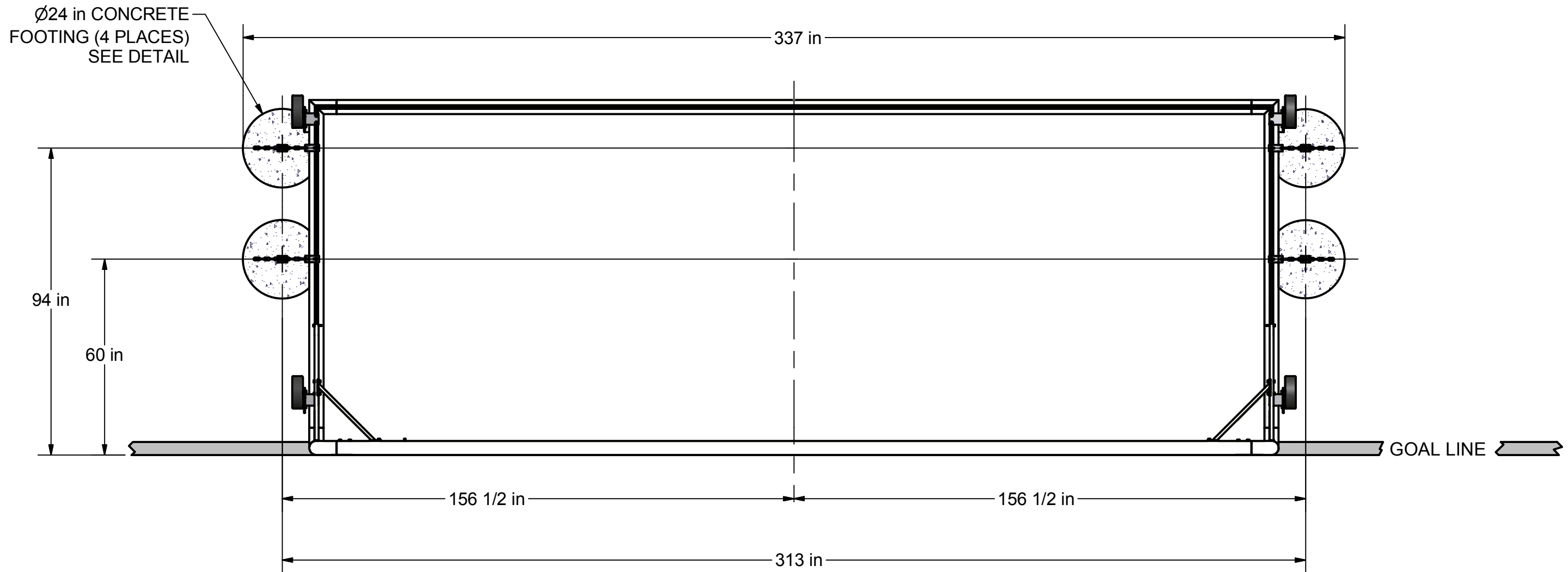
Part #:
2B2001

This item is the **exclusive** property of **KWIK GOAL LTD.** Reproduction or duplication **without** the express written consent of **KWIK GOAL LTD.** is **strictly forbidden.**

Drawn By: brush
Date: 3/5/2003
Sheet: 1 of 4
Revision #: 2
Cad File: 2B2001.idw

Desc:
8' X 24' PRO PREMIER EUROPEAN MATCH GOAL

OVERHEAD VIEW



NOTES:

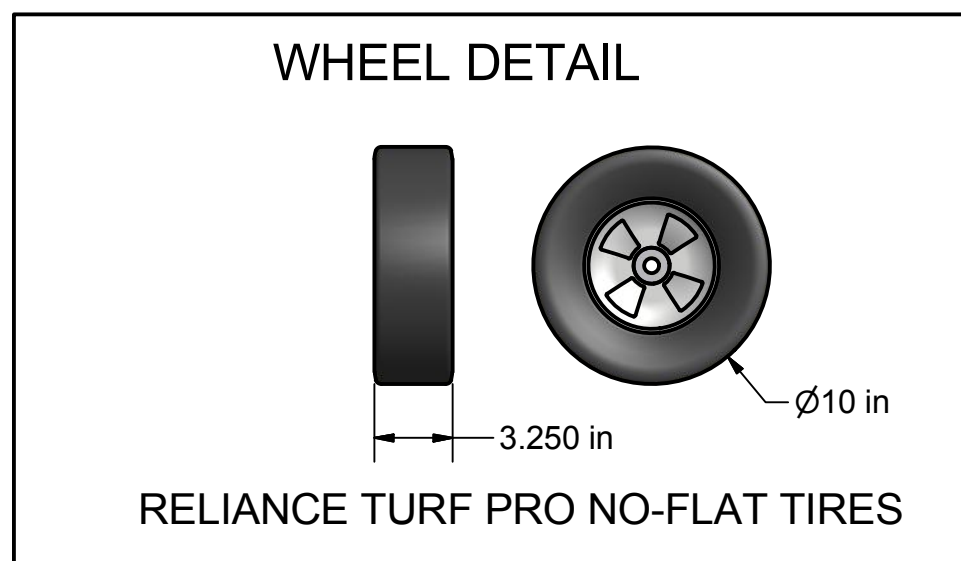
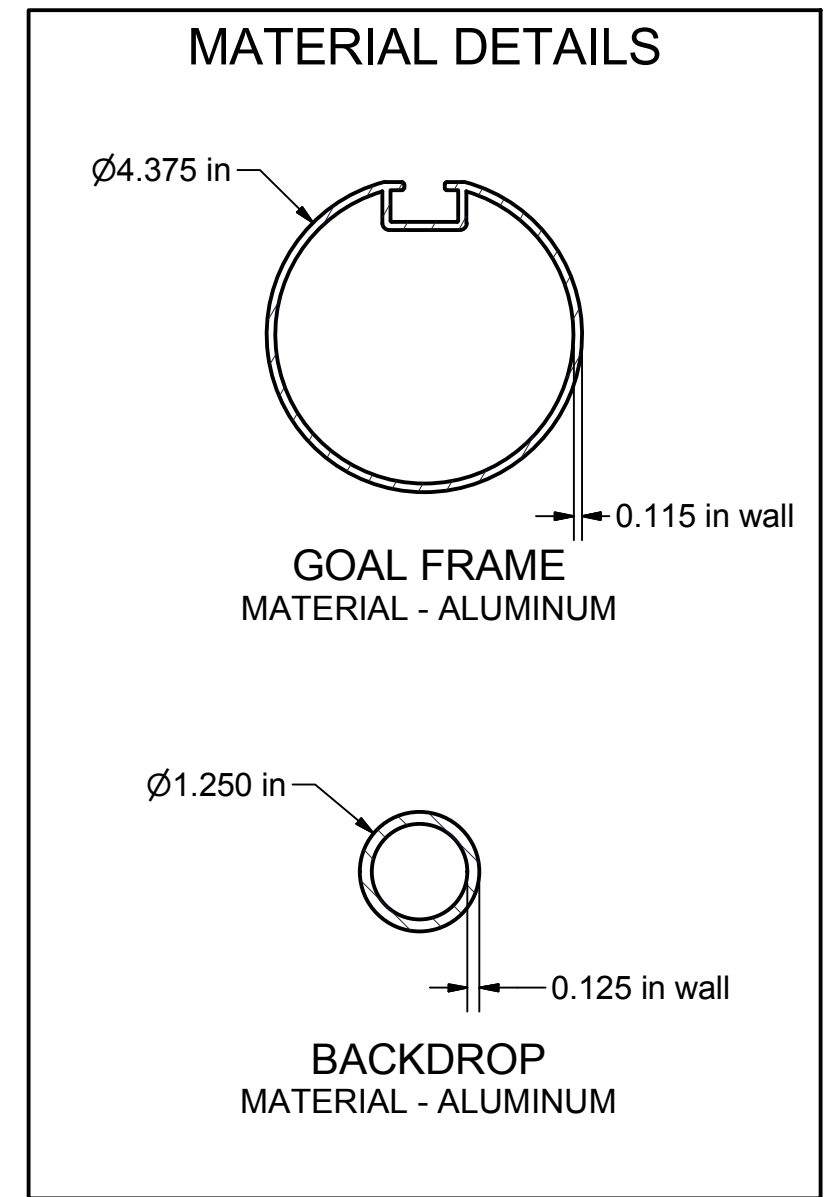
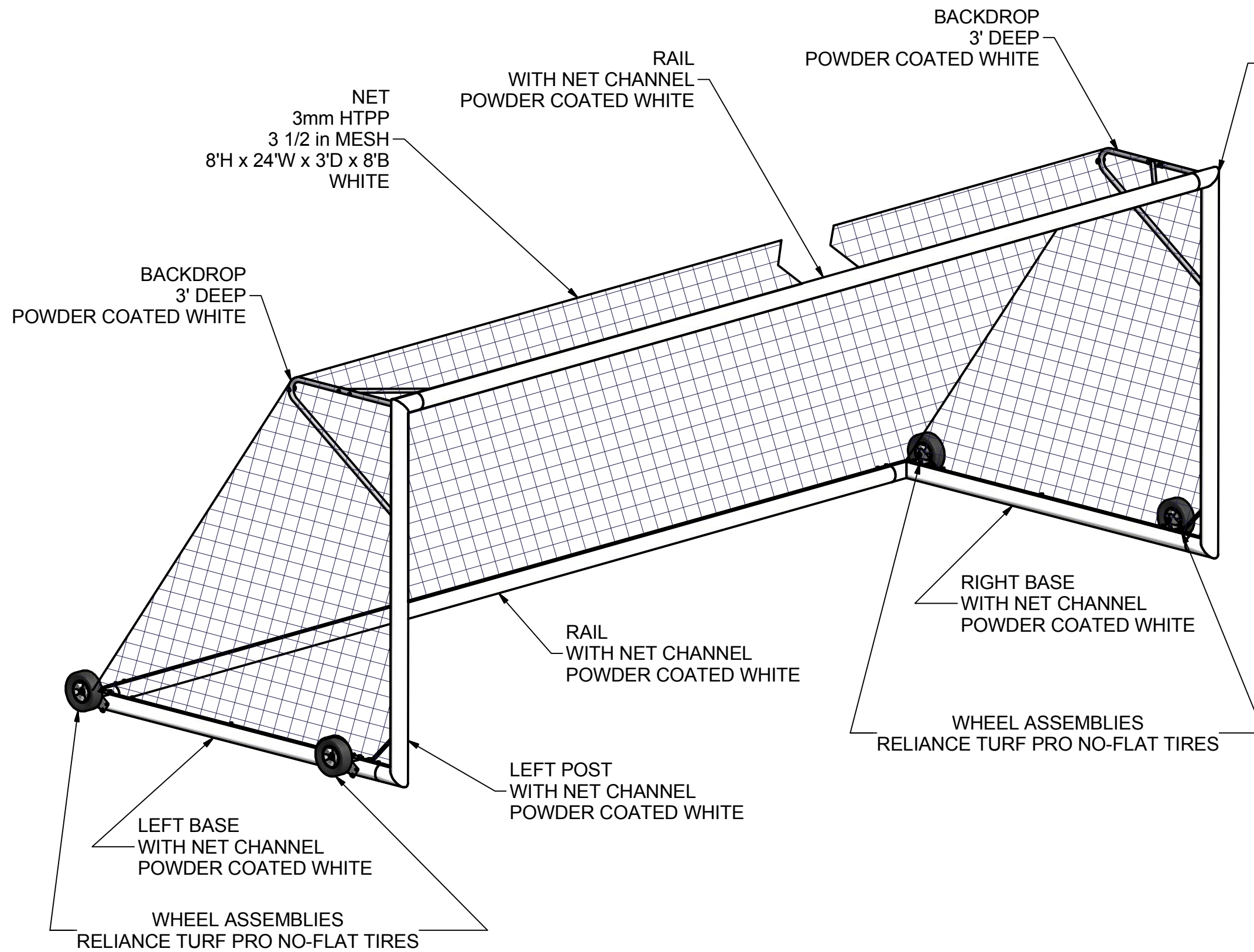
- 1) DIMENSIONS ARE FOR PLANNING PURPOSES. INSTALLATION MUST BE IN ACCORDANCE WITH INSTALLATION INSTRUCTIONS.

MATERIAL REQUIRED, BUT **NOT** SUPPLIED

- 0.5 cubic yard - CONCRETE
 - 0.3 cubic yard - CLEAN STONE (1/4" - 3/4")
- ABOVE AMOUNTS ARE PER GOAL INSTALLATION

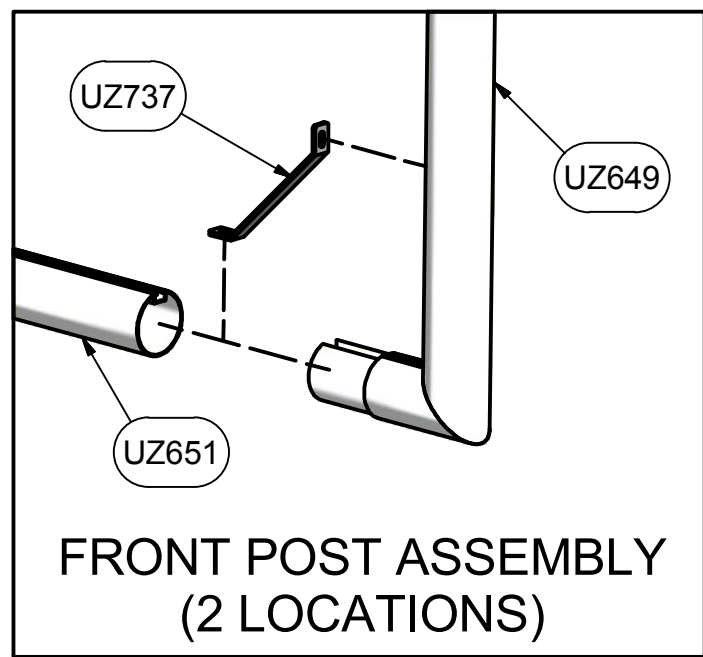
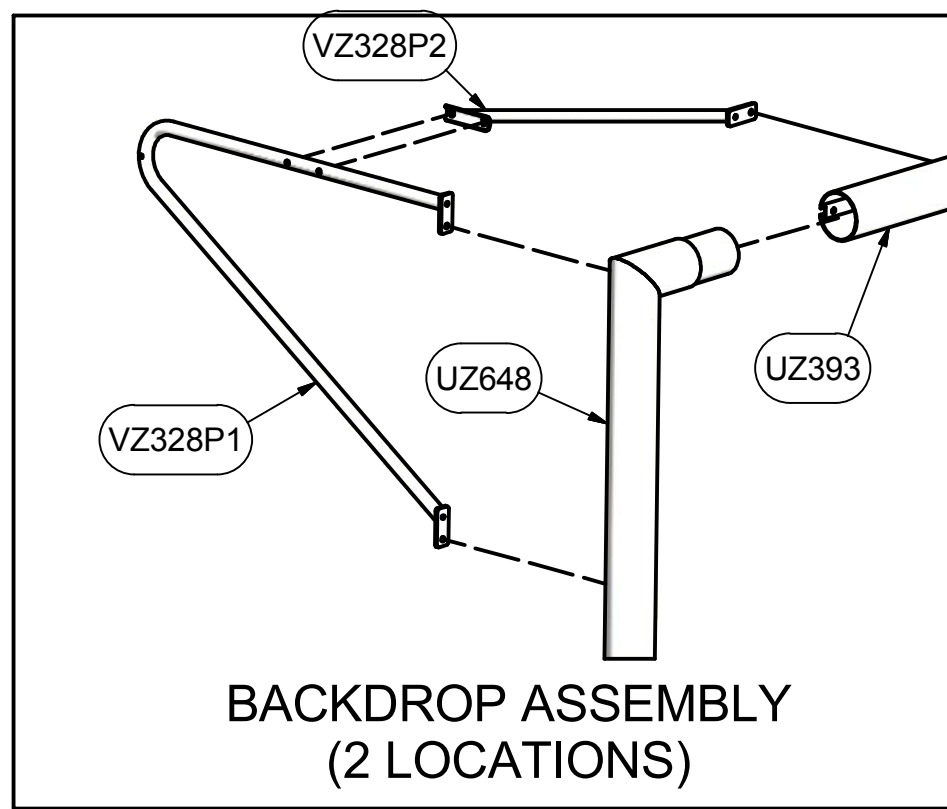
Finish Info.

<p>THIRD ANGLE PROJECTION</p>	<p>140 Pacific Drive Quakertown, Pa. 18951</p>	
	<p>DIMENSIONS ARE IN INCHES UNLESS OTHERWISE SPECIFIED</p>	<p>Approved By:</p> <p>Date:</p>
<p>This item is the exclusive property of KWIK GOAL LTD. Reproduction or duplication without the express written consent of KWIK GOAL LTD. is strictly forbidden.</p>	<p>Drawn By: brush</p> <p>Date: 3/5/2003</p> <p>Sheet: 2 of 4</p> <p>Revision #: 2</p> <p>Cad File: 2B2001.idw</p>	<p>Desc:</p> <p>8' X 24' PRO PREMIER EUROPEAN MATCH GOAL</p>

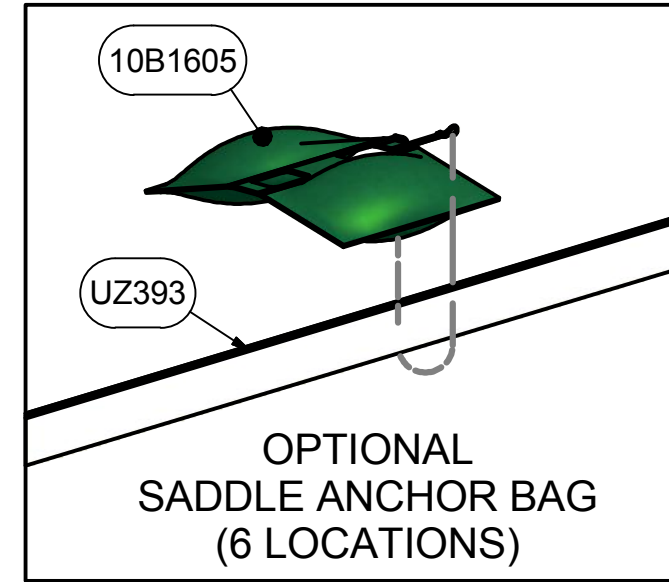
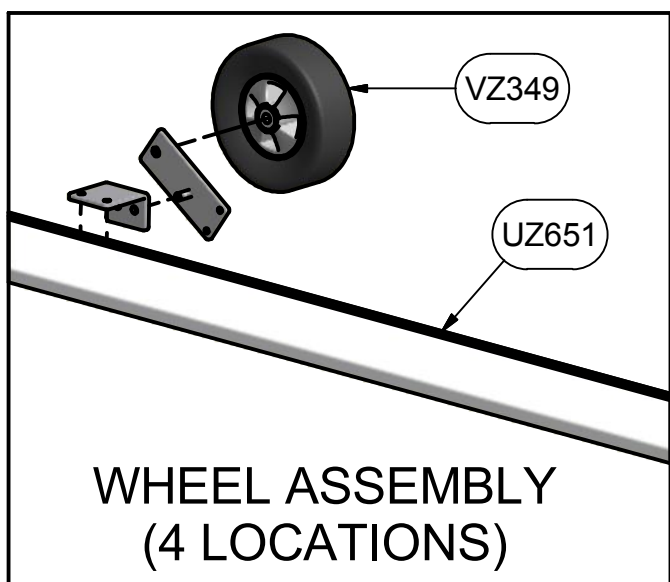
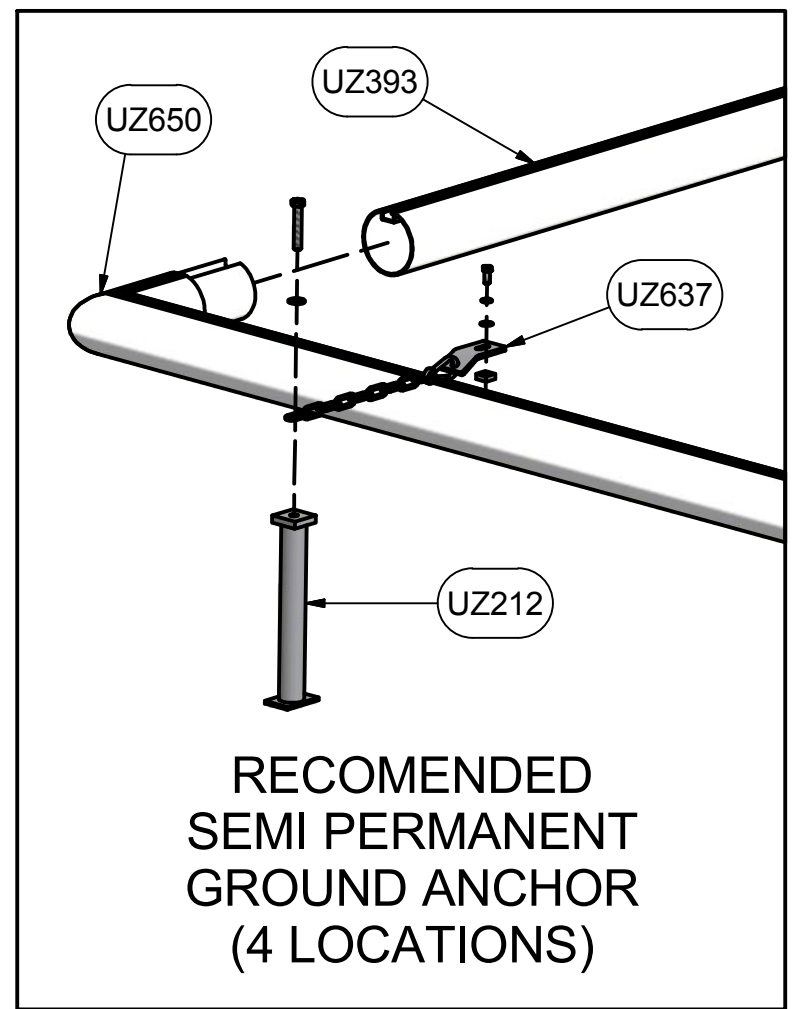
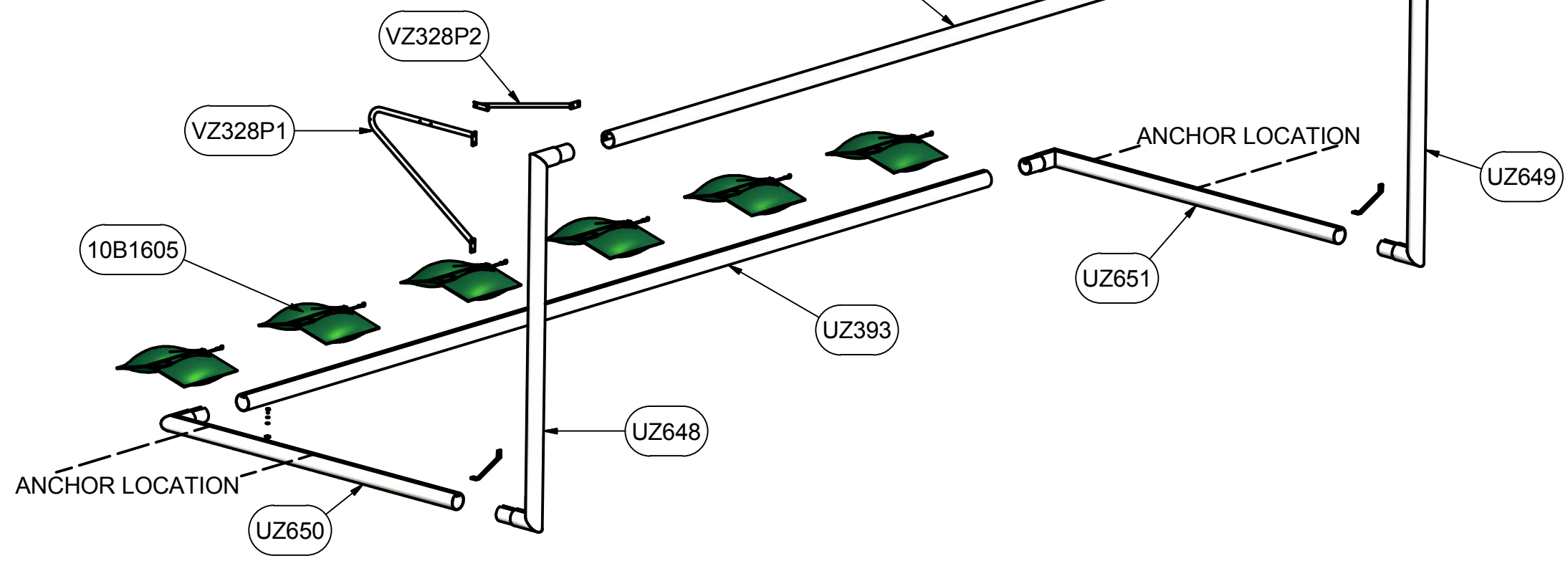


Finish Info.

<p>THIRD ANGLE PROJECTION</p>	<p>140 Pacific Drive Quakertown, Pa. 18951</p>	
	<p>DIMENSIONS ARE IN INCHES UNLESS OTHERWISE SPECIFIED</p>	<p>Approved By:</p> <p>Date:</p>
<p>This item is the exclusive property of KWIK GOAL LTD. Reproduction or duplication without the express written consent of KWIK GOAL LTD. is strictly forbidden.</p>	<p>Drawn By: brush</p> <p>Date: 3/5/2003</p> <p>Sheet: 3 of 4</p> <p>Revision #: 2</p> <p>Cad File: 2B2001.idw</p>	<p>Desc:</p> <p>8' X 24' PRO PREMIER EUROPEAN MATCH GOAL</p>



Parts List		
Part #	Qty	Description
UZ393	2	RAIL
UZ649	1	RIGHT POST, 2B2001
UZ648	1	LEFT POST, 2B2001
UZ651	1	RIGHT BASE, 2B2001
UZ650	1	LEFT BASE, 2B2001
UZ812	6	CHANNEL SPACER
UZ658	4	PLATE, WHEEL STOP
UZ846	4	CHAIN ASSEMBLY, GRND ANCHOR
VZ349	4	Flat Proof Tire
UZ737	2	Front Post Brace
VZ328P2	2	BACKSTAY BRACE
VZ328P1	2	BACKSTAY
3B6826	1	NET, 3MM ROPE, 3 1/2 in MESH
10B1605	6	SADDLE ANCHOR BAG



Finish Info.

THIRD ANGLE PROJECTION

DIMENSIONS ARE IN INCHES UNLESS OTHERWISE SPECIFIED

This item is the **exclusive** property of **KWIK GOAL LTD.** Reproduction or duplication **without** the express written consent of **KWIK GOAL LTD.** is **strictly forbidden.**

KWIKGOAL 140 Pacific Drive
Quakertown, Pa. 18951

Approved By:	Part #:
Date:	2B2001
Drawn By: brush	Desc:
Date: 3/5/2003	8' X 24' PRO PREMIER EUROPEAN MATCH GOAL
Sheet: 4 of 4	
Revision #: 2	
Cad File: 2B2001.idw	