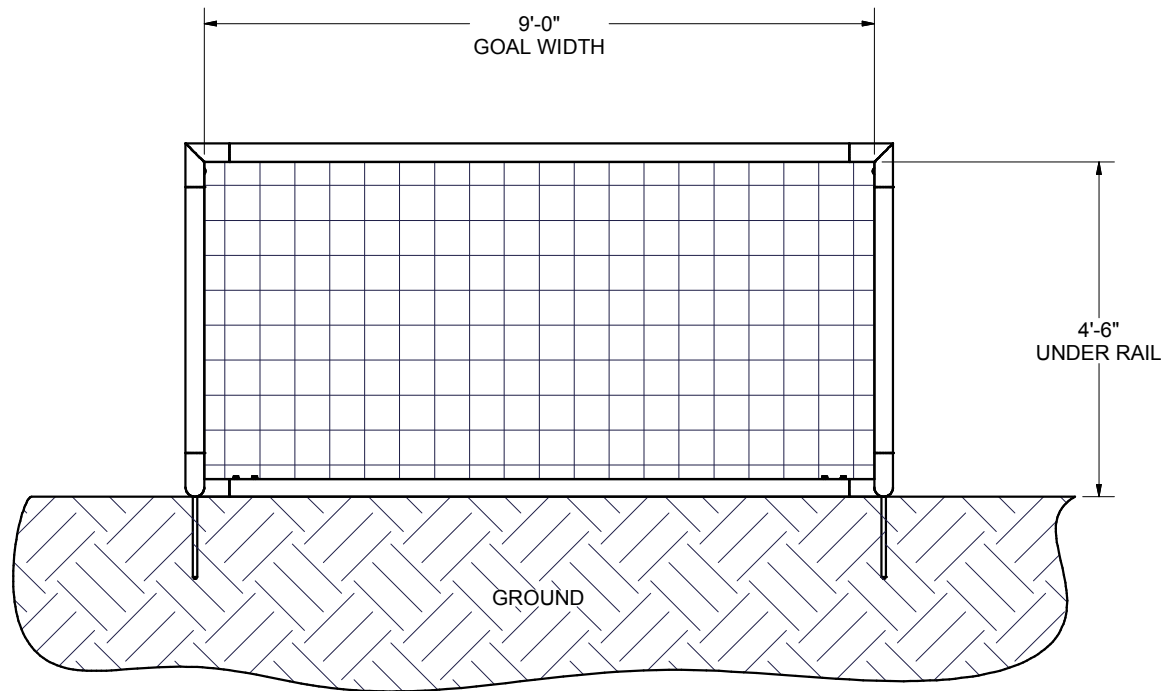
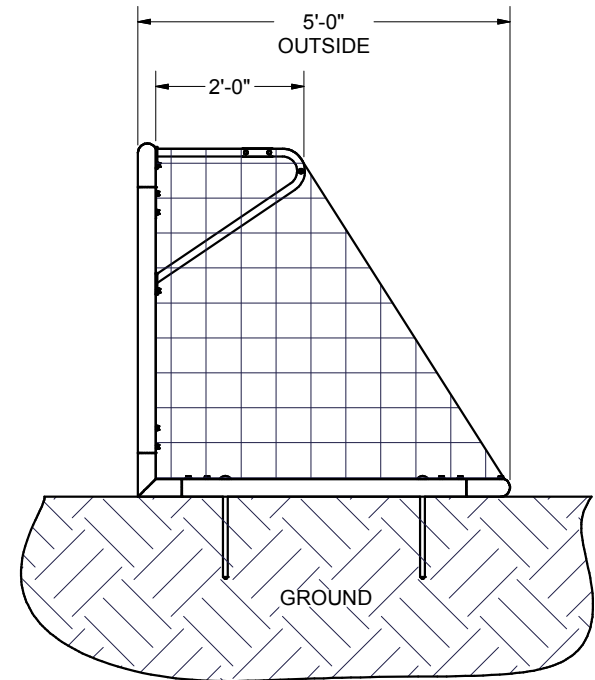


FRONT VIEW



SIDE VIEW



FEATURES:

- 1) ALUMINUM GOAL FRAME AND BACKDROPS
- 2) FINISH: WHITE POWDER COAT
- 3) INCLUDED:

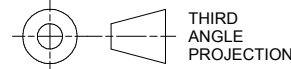
- SEMI PERMANENT GROUND ANCHORS
- 3 mm, WHITE NET
- KWIK LOCK® NET CLIPS

4) ASSEMBLED GOAL WEIGHT: 75 LBS.

5) ASTM F2056-00 STANDARDS:

THIS GOAL DOES NOT FALL UNDER THE SCOPE OF ATSM F2056-00 BECAUSE OF IT'S SIZE AND/OR WEIGHT

**Finish Info.** White Powder Coat



THIRD ANGLE PROJECTION



140 Pacific Drive  
Quakertown,  
Pa. 18951

DIMENSIONS ARE IN INCHES UNLESS OTHERWISE SPECIFIED

This item is the **exclusive** property of **KWIK GOAL LTD.** Reproduction or duplication **without** the express written consent of **KWIK GOAL LTD.** is **strictly forbidden.**

Approved By:

Date:

Drawn By: brush

Date: 3/5/2004

Sheet: 1 of 4

Revision #: 2

Cad File: 2B3002.idw

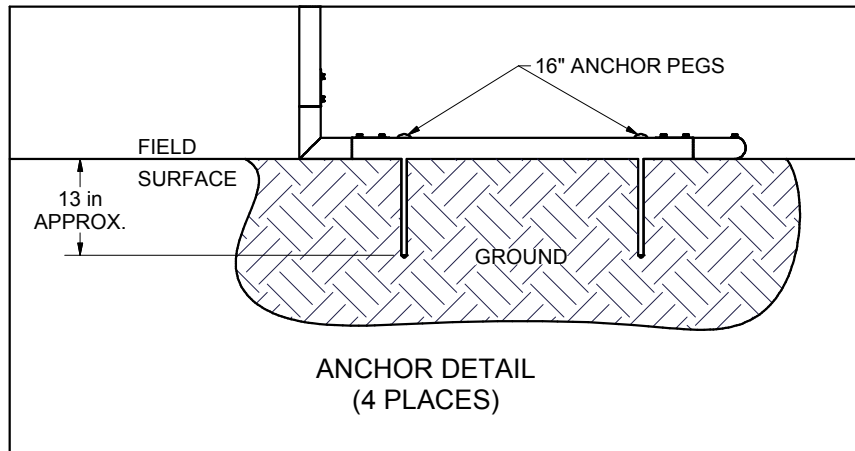
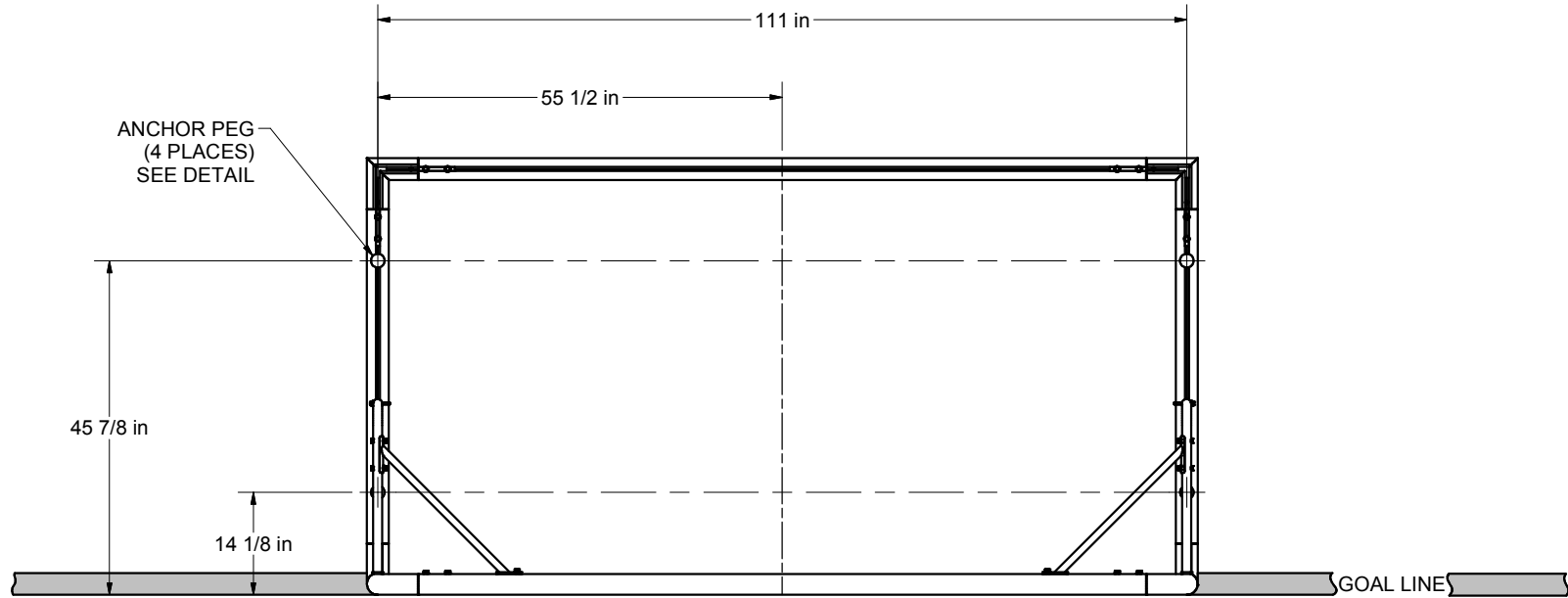
Part #:

**2B3002**

Desc:

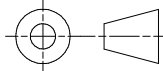

4-1/2' X 9' European Club Goal

OVERHEAD VIEW

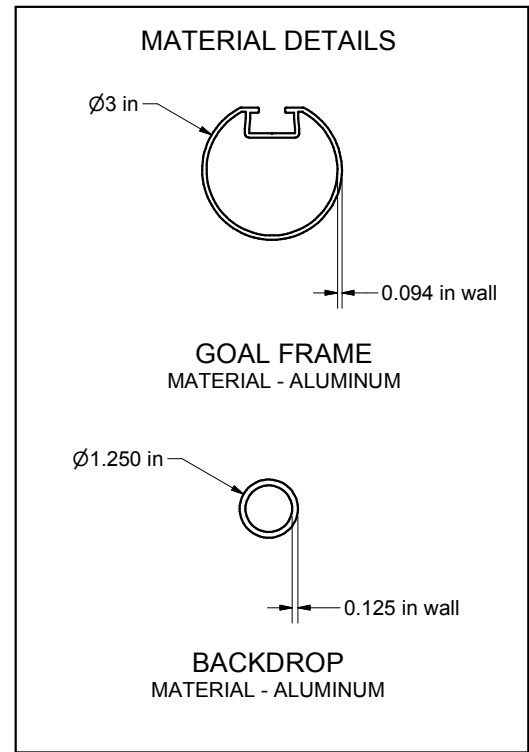
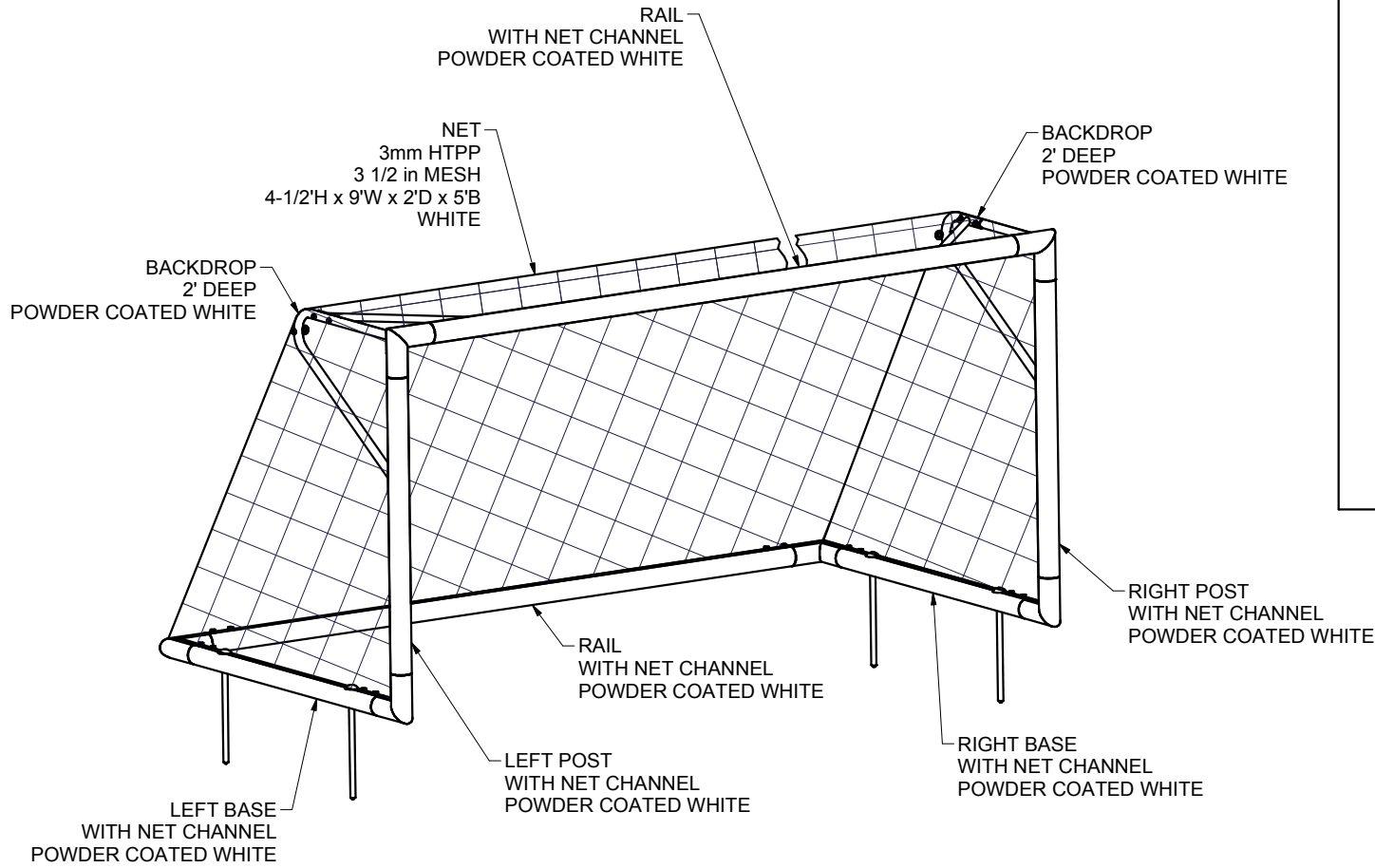


NOTES:

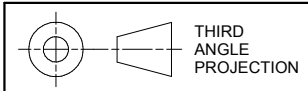
- 1) DIMENSIONS ARE FOR PLANNING PURPOSES. INSTALLATION MUST BE IN ACCORDANCE WITH INSTALLATION INSTRUCTIONS.

 <p>THIRD ANGLE PROJECTION</p>	 <p>140 Pacific Drive Quakertown, Pa. 18951</p>	
	<p>DIMENSIONS ARE IN INCHES UNLESS OTHERWISE SPECIFIED</p>	<p>Approved By:</p> <p>Date:</p>
<p>This item is the <b>exclusive</b> property of <b>KWIK GOAL LTD.</b> Reproduction or duplication <b>without</b> the express written consent of <b>KWIK GOAL LTD.</b> is <b>strictly forbidden.</b></p>	<p>Drawn By: brush</p>	<p>Desc:</p> <p>4-1/2' X 9' European Club Goal</p>
	<p>Date: 3/5/2004</p>	
	<p>Sheet: 2 of 4</p>	
	<p>Revision #: 2</p>	
<p>Cad File: 2B3002.idw</p>		

**Finish Info.** White Powder Coat



**Finish Info.** White Powder Coat



**KWIKGOAL**® 140 Pacific Drive  
Quakertown, Pa. 18951

DIMENSIONS ARE IN INCHES UNLESS OTHERWISE SPECIFIED

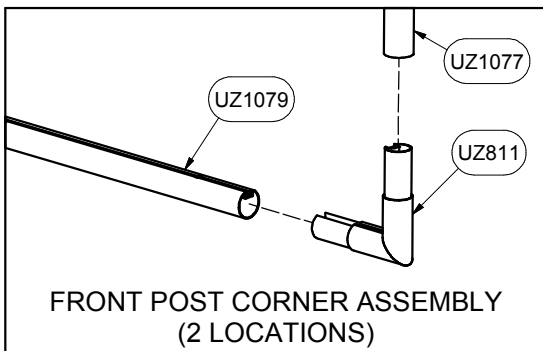
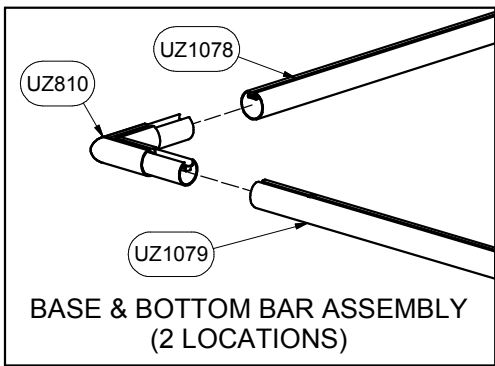
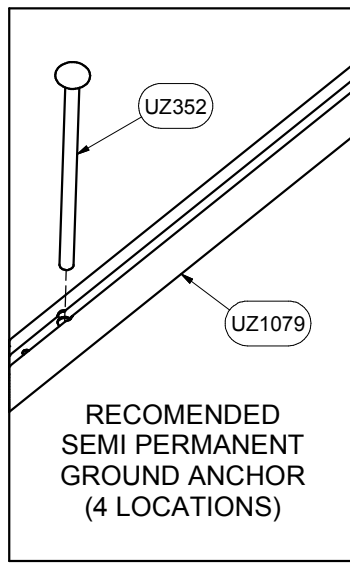
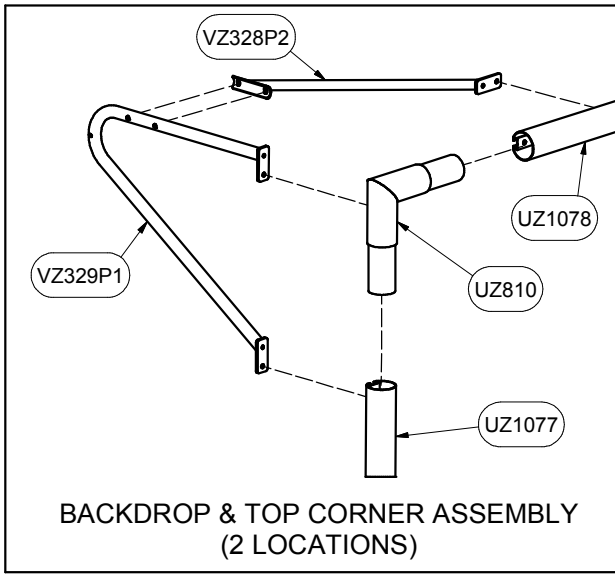
Approved By:  
Date:

Part #:  
**2B3002**

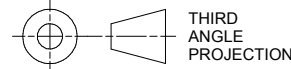
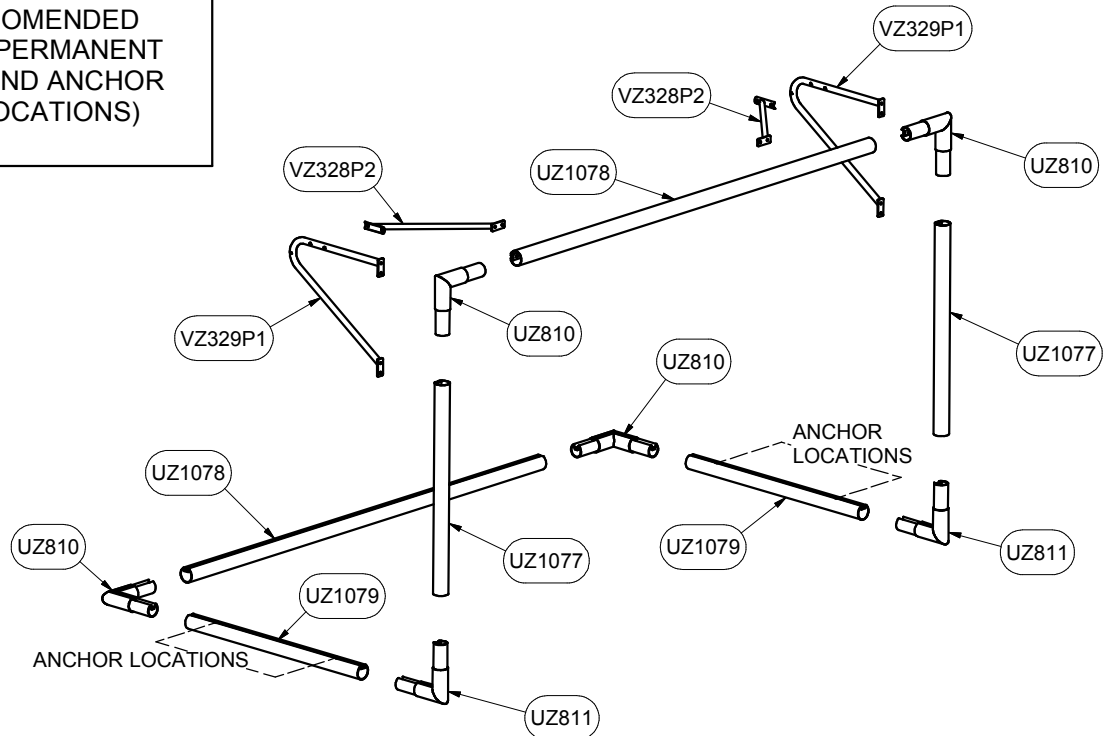
This item is the **exclusive** property of **KWIK GOAL LTD.** Reproduction or duplication **without** the express written consent of **KWIK GOAL LTD.** is **strictly forbidden.**

Drawn By: brush  
Date: 3/5/2004  
Sheet: 3 of 4  
Revision #: 2  
Cad File: 2B3002.idw

Desc:  
4-1/2' X 9' European Club Goal



Parts List		
Part #	Qty	Description
UZ810	4	RAIL CORNER, EURO CLUB
UZ811	2	POST CORNER, EURO CLUB
UZ812	12	CHANNEL SPACER
UZ352	4	16" GROUND ANCHOR PEG
UZ1079	2	Base, 2B3002
UZ1078	2	Rail, 2B3002
VZ329P1	3	BACKDROP
VZ328P2	3	BACKDROP BRACE
UZ1077	1	Front Post, 2B3002
3B6822	1	NET, 3MM ROPE, 3 1/2 in MESH



DIMENSIONS ARE IN INCHES  
UNLESS OTHERWISE SPECIFIED

This item is the **exclusive**  
property of **KWIK GOAL LTD.**  
Reproduction or duplication  
**without** the express written  
consent of **KWIK GOAL LTD.**  
is **strictly forbidden.**



Approved By:  
Date:  
Drawn By: brush  
Date: 3/5/2004  
Sheet: 4 of 4  
Revision #: 2  
Cad File: 2B3002.idw

Part #:  
**2B3002**  
Desc:  
4-1/2' X 9' European Club  
Goal

**Finish Info.** White Powder Coat