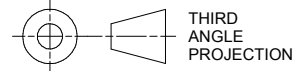


FEATURES:

- 1) ALUMINUM GOAL FRAME AND BACKDROPS
- 2) FINISH: WHITE POWDER COAT
- 3) INCLUDED:
 - SEMI PERMANENT GROUND ANCHORS
 - 3 mm, WHITE NET
 - KWIK LOCK® NET CLIPS
- 4) ASSEMBLED GOAL WEIGHT: 94 LBS.
- 5) ASTM F2056-00 STANDARDS:
 - THIS GOAL DOES NOT FALL UNDER THE SCOPE
 - OF ASTM F2056-00 BECAUSE OF IT'S SIZE AND/OR WEIGHT

Finish Info. White Powder Coat



KWIKGOAL® 140 Pacific Drive
Quakertown, Pa. 18951

DIMENSIONS ARE IN INCHES
UNLESS OTHERWISE SPECIFIED

Approved By:
Date:

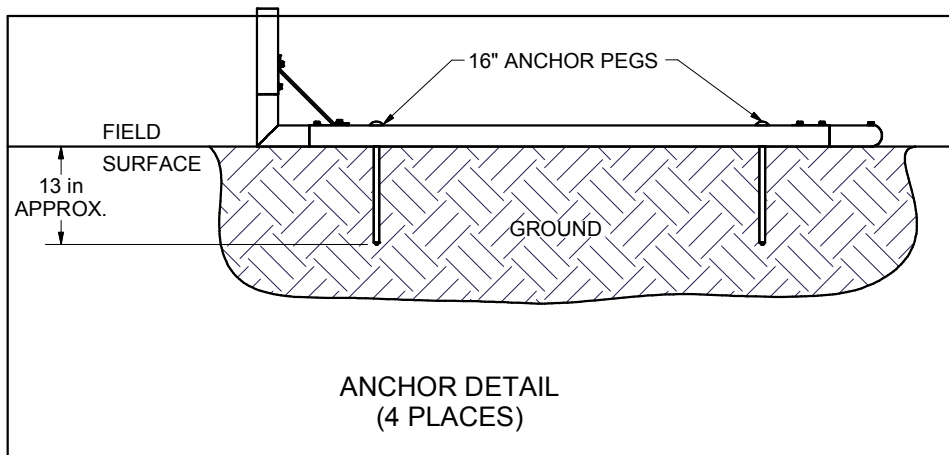
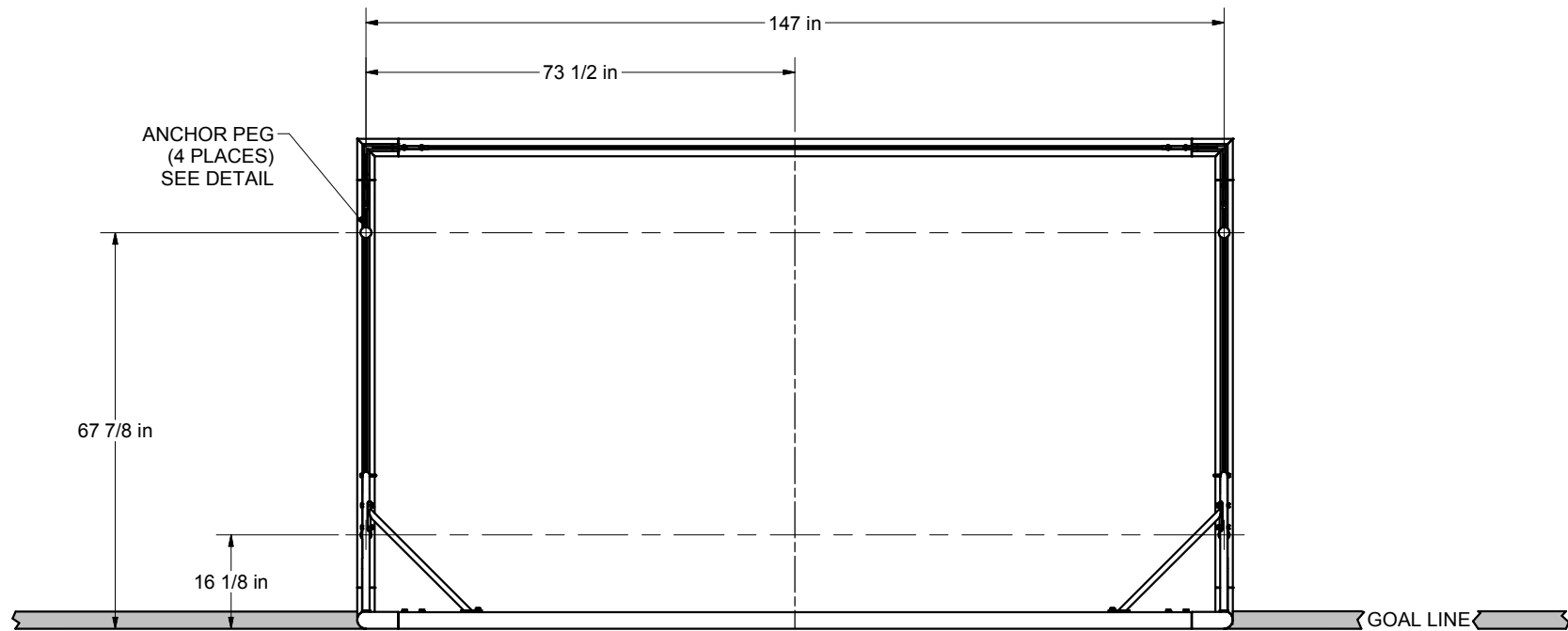
Part #:
2B3003

This item is the **exclusive** property of **KWIK GOAL LTD.** Reproduction or duplication **without** the express written consent of **KWIK GOAL LTD.** is **strictly forbidden.**

Drawn By: brush
Date: 3/5/2004
Sheet: 1 of 4
Revision #: 3
Cad File: 2B3003.idw

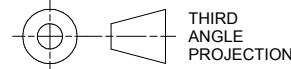
Desc:
6-1/2' X 12' European Club Goal

OVERHEAD VIEW



NOTES:

- 1) DIMENSIONS ARE FOR PLANNING PURPOSES. INSTALLATION MUST BE IN ACCORDANCE WITH INSTALLATION INSTRUCTIONS.



THIRD
ANGLE
PROJECTION

KWIKGOAL® 140 Pacific Drive
Quakertown,
Pa. 18951

DIMENSIONS ARE IN INCHES
UNLESS OTHERWISE SPECIFIED

Approved By:

Part #:

Date:

2B3003

This item is the **exclusive**
property of **KWIK GOAL LTD.**
Reproduction or duplication
without the express written
consent of **KWIK GOAL LTD.**
is **strictly forbidden.**

Drawn By: brush

Desc:

Date: 3/5/2004

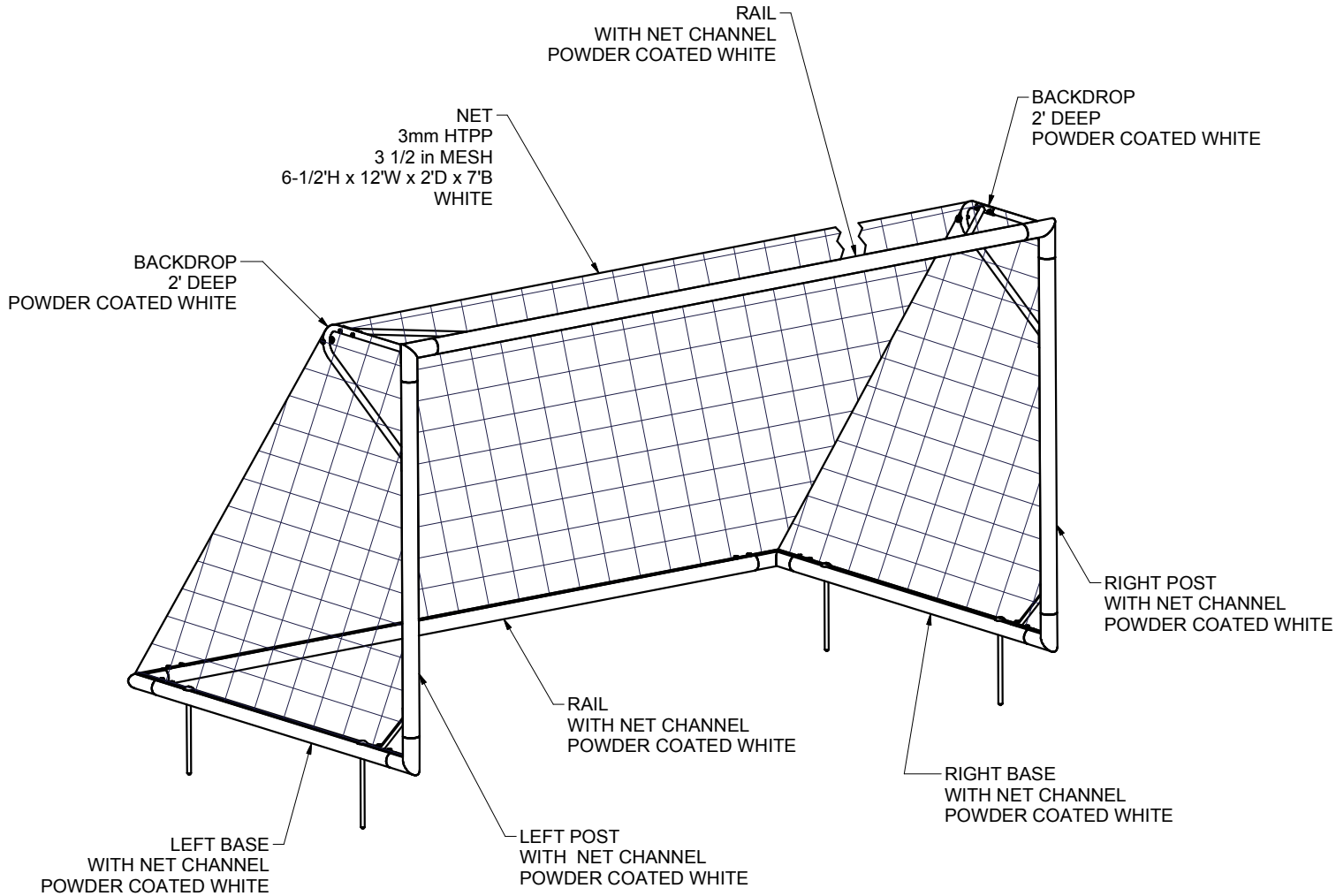
Sheet: 2 of 4

6-1/2' X 12' European Club
Goal

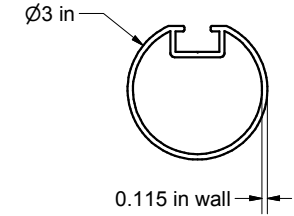
Revision #: 3

Cad File: 2B3003.idw

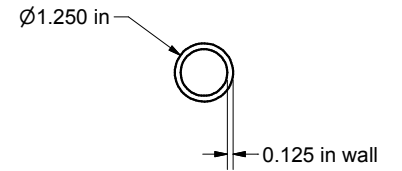
Finish Info. White Powder Coat



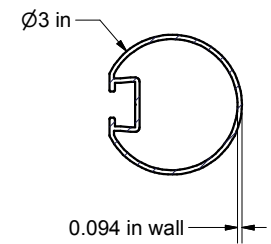
MATERIAL DETAILS



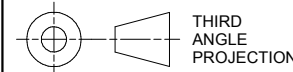
**POSTS & BASES
MATERIAL - ALUMINUM**



**BACKDROP
MATERIAL - ALUMINUM**



**RAILS
MATERIAL - ALUMINUM**



DIMENSIONS ARE IN INCHES UNLESS OTHERWISE SPECIFIED

Approved By:

Part #:

Date:

2B3003

This item is the **exclusive** property of **KWIK GOAL LTD.** Reproduction or duplication **without** the express written consent of **KWIK GOAL LTD.** is **strictly forbidden.**

Drawn By: brush

Date: 3/5/2004

Sheet: 3 of 4

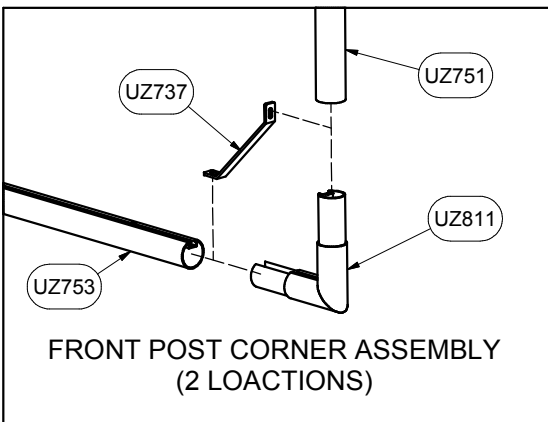
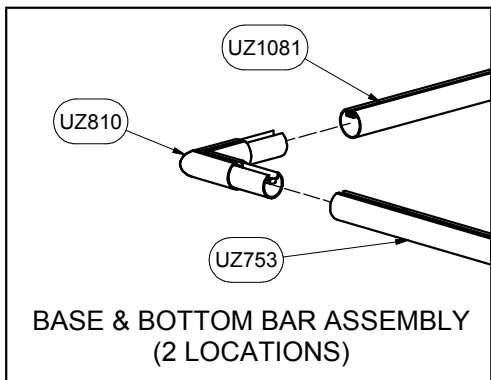
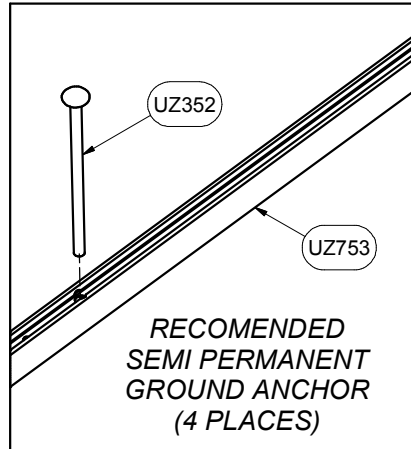
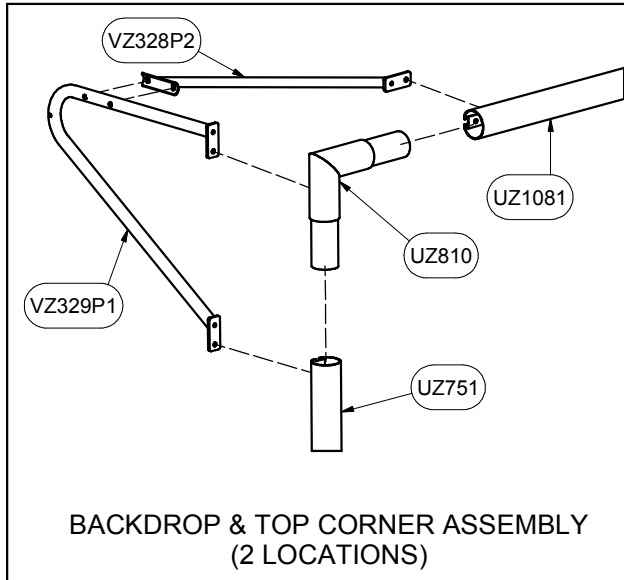
Revision #: 3

Cad File: 2B3003.idw

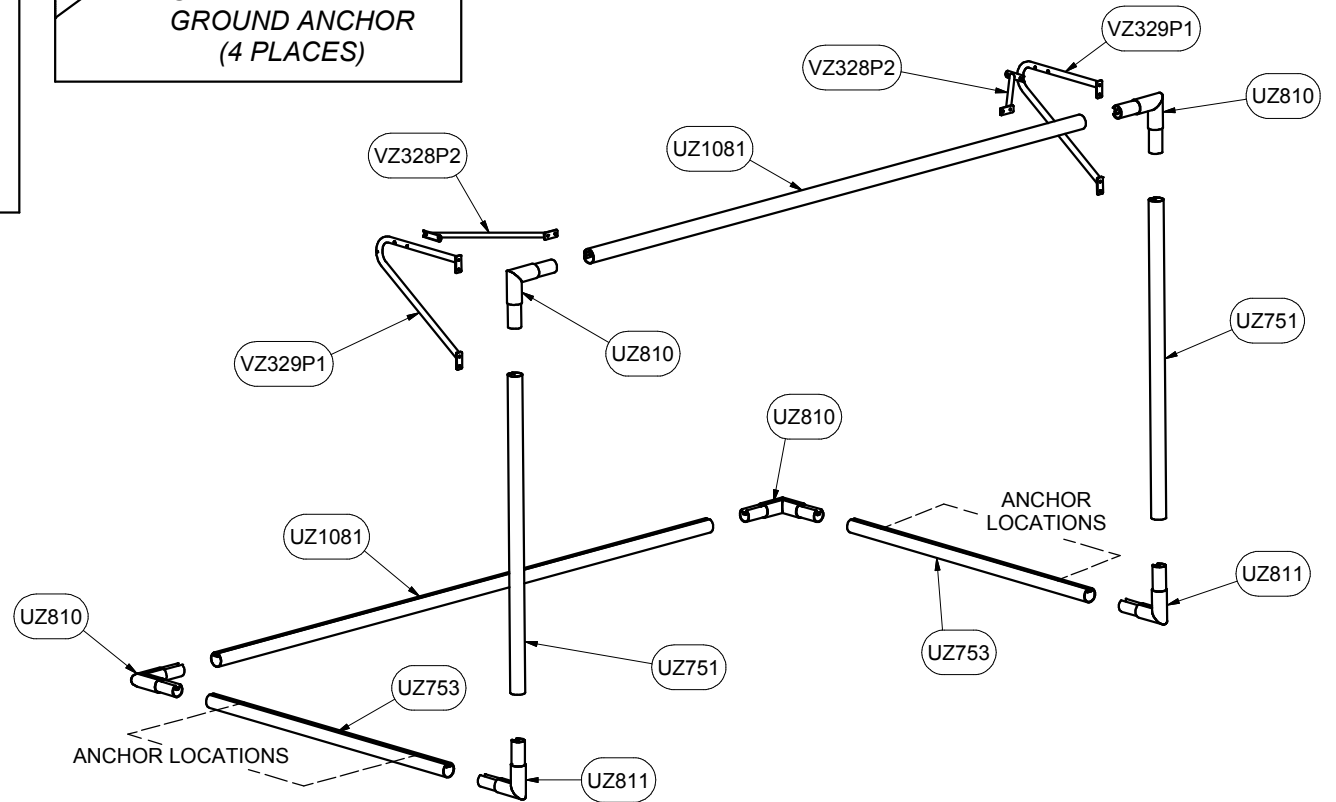
Desc:

6-1/2' X 12' European Club Goal

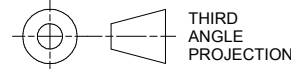
Finish Info. White Powder Coat



| Parts List | | |
|------------|-----|------------------------------|
| Part # | Qty | Description |
| UZ810 | 4 | RAIL CORNER, EURO CLUB |
| UZ811 | 2 | POST CORNER, EURO CLUB |
| UZ812 | 12 | CHANNEL SPACER |
| UZ352 | 4 | 16" GROUND ANCHOR PEG |
| UZ751 | 2 | Front Post, 2B3004, 2B3003 |
| UZ753 | 2 | Base, 2B3004, 2B3003 |
| UZ1081 | 2 | Rail, 2B3003 |
| VZ329P1 | 2 | BACKSTAY |
| VZ328P2 | 2 | BACKSTAY BRACE |
| UZ737 | 2 | Front Post Brace |
| 3B6823 | 1 | NET, 3MM ROPE, 3 1/2 in MESH |



Finish Info. White Powder Coat



DIMENSIONS ARE IN INCHES UNLESS OTHERWISE SPECIFIED

This item is the **exclusive** property of **KWIK GOAL LTD.** Reproduction or duplication **without** the express written consent of **KWIK GOAL LTD.** is **strictly forbidden.**



Approved By:
Date:
Drawn By: brush
Date: 3/5/2004
Sheet: 4 of 4
Revision #: 3
Cad File: 2B3003.idw

Part #:
2B3003
Desc:
6-1/2' X 12' European Club Goal