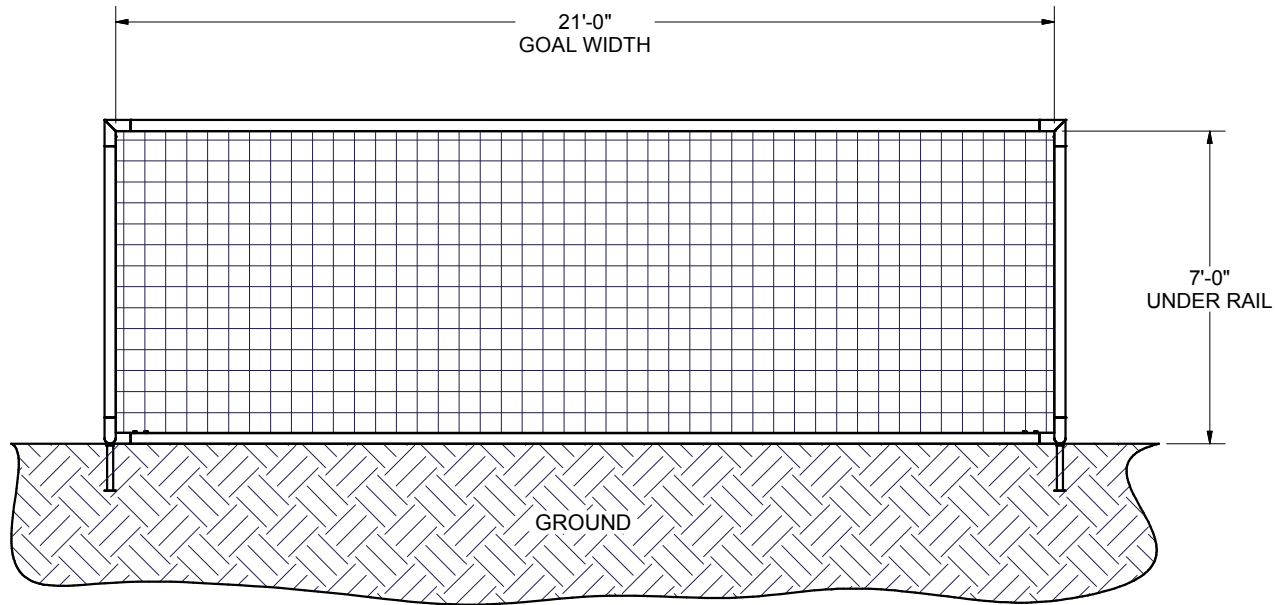
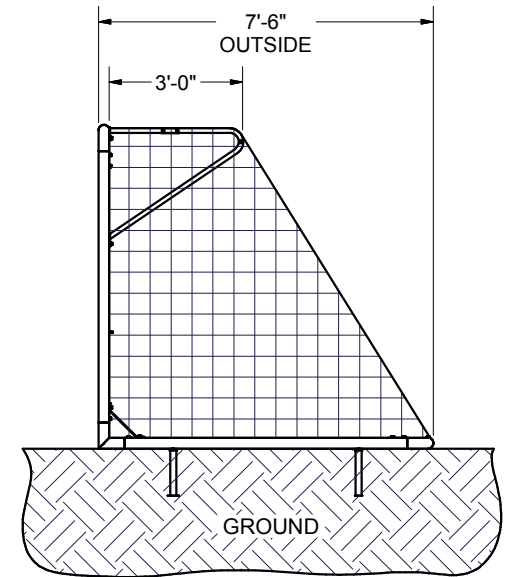


FRONT VIEW



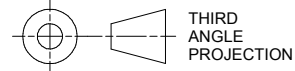
SIDE VIEW



FEATURES:

- 1) ALUMINUM GOAL FRAME AND BACKDROPS
- 2) FINISH: WHITE POWDER COAT
- 3) INCLUDED:
 - SEMI PERMANENT GROUND ANCHORS
 - 3 mm, WHITE NET
 - KWIK LOCK® NET CLIPS
- 4) ASSEMBLED GOAL WEIGHT: 127 LBS.
- 5) EXCEEDS:
 - ASTM F2056-00 STANDARDS

Finish Info. White Powder Coat



THIRD
ANGLE
PROJECTION

DIMENSIONS ARE IN INCHES
UNLESS OTHERWISE SPECIFIED

This item is the **exclusive**
property of **KWIK GOAL LTD.**
Reproduction or duplication
without the express written
consent of **KWIK GOAL LTD.**
is **strictly forbidden.**

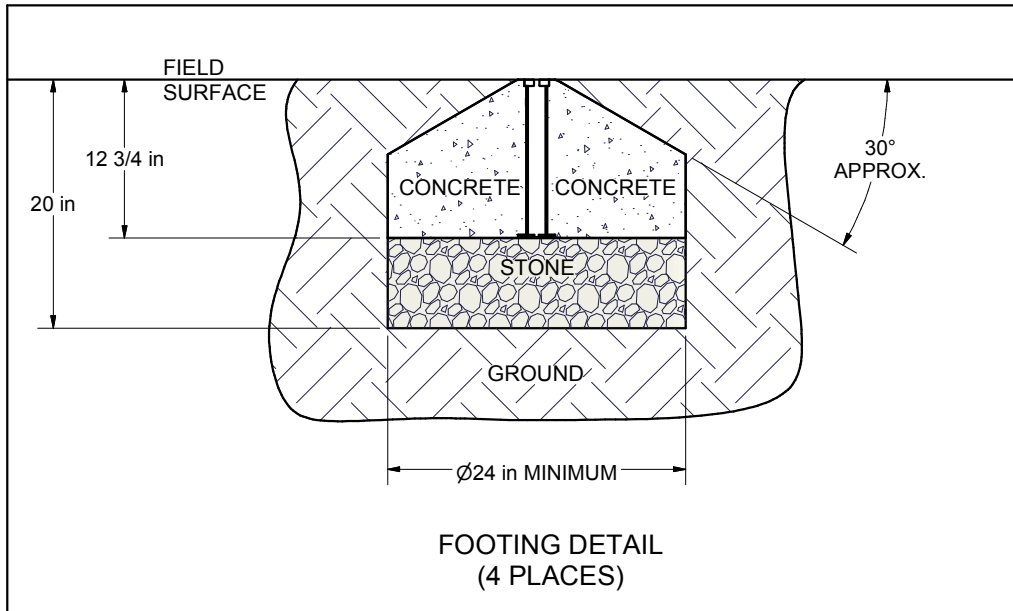
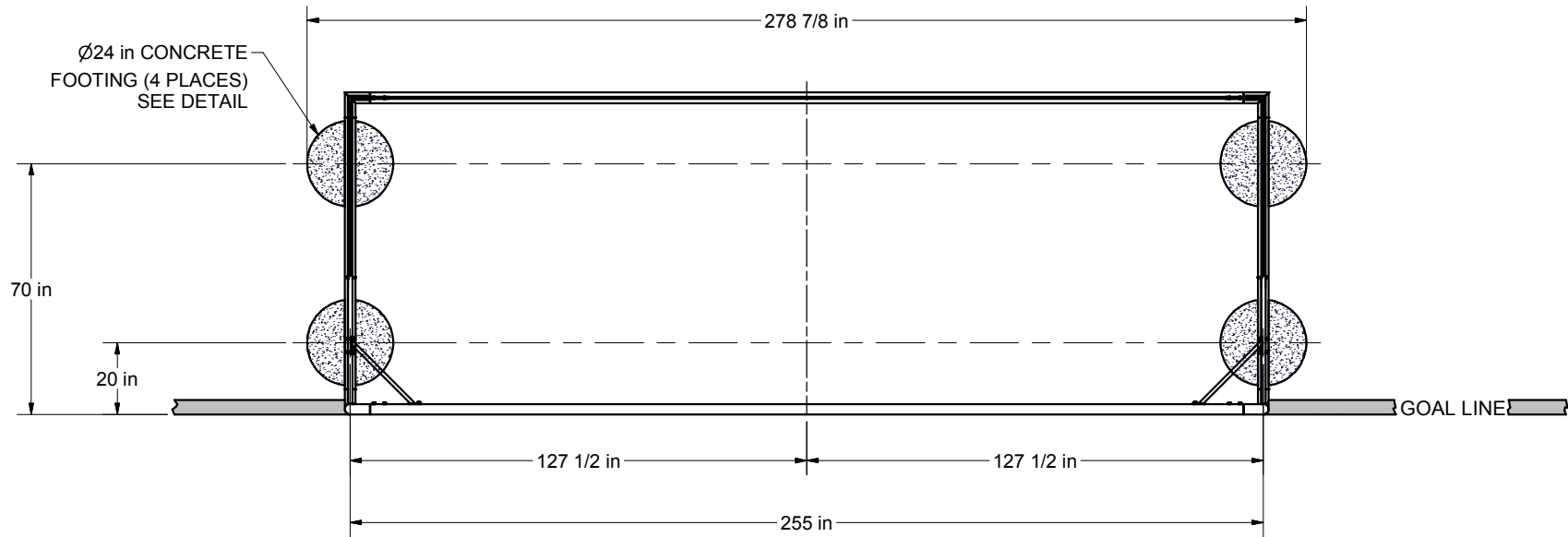


140 Pacific Drive
Quakertown,
Pa. 18951

Approved By:
Date:
Drawn By: brush
Date: 3/5/2004
Sheet: 1 of 4
Revision #: 2
Cad File: 2B3005.idw

Part #:
2B3005
Desc:
7' X 21' European Club Goal

OVERHEAD VIEW



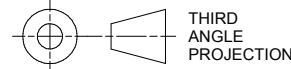
NOTES:

1) DIMENSIONS ARE FOR PLANNING PURPOSES. INSTALLATION MUST BE IN ACCORDANCE WITH INSTALLATION INSTRUCTIONS.

MATERIAL REQUIRED, BUT **NOT** SUPPLIED

0.5 cubic yard - CONCRETE
 0.3 cubic yard - CLEAN STONE (1/4" - 3/4")
 ABOVE AMOUNTS ARE PER GOAL INSTALLATION

Finish Info. White Powder Coat



THIRD ANGLE PROJECTION

KWIKGOAL® 140 Pacific Drive
 Quakertown, Pa. 18951

DIMENSIONS ARE IN INCHES UNLESS OTHERWISE SPECIFIED

Approved By:

Part #:

Date:

2B3005

This item is the **exclusive** property of **KWIK GOAL LTD.** Reproduction or duplication **without** the express written consent of **KWIK GOAL LTD.** is **strictly forbidden.**

Drawn By: brush

Date: 3/5/2004

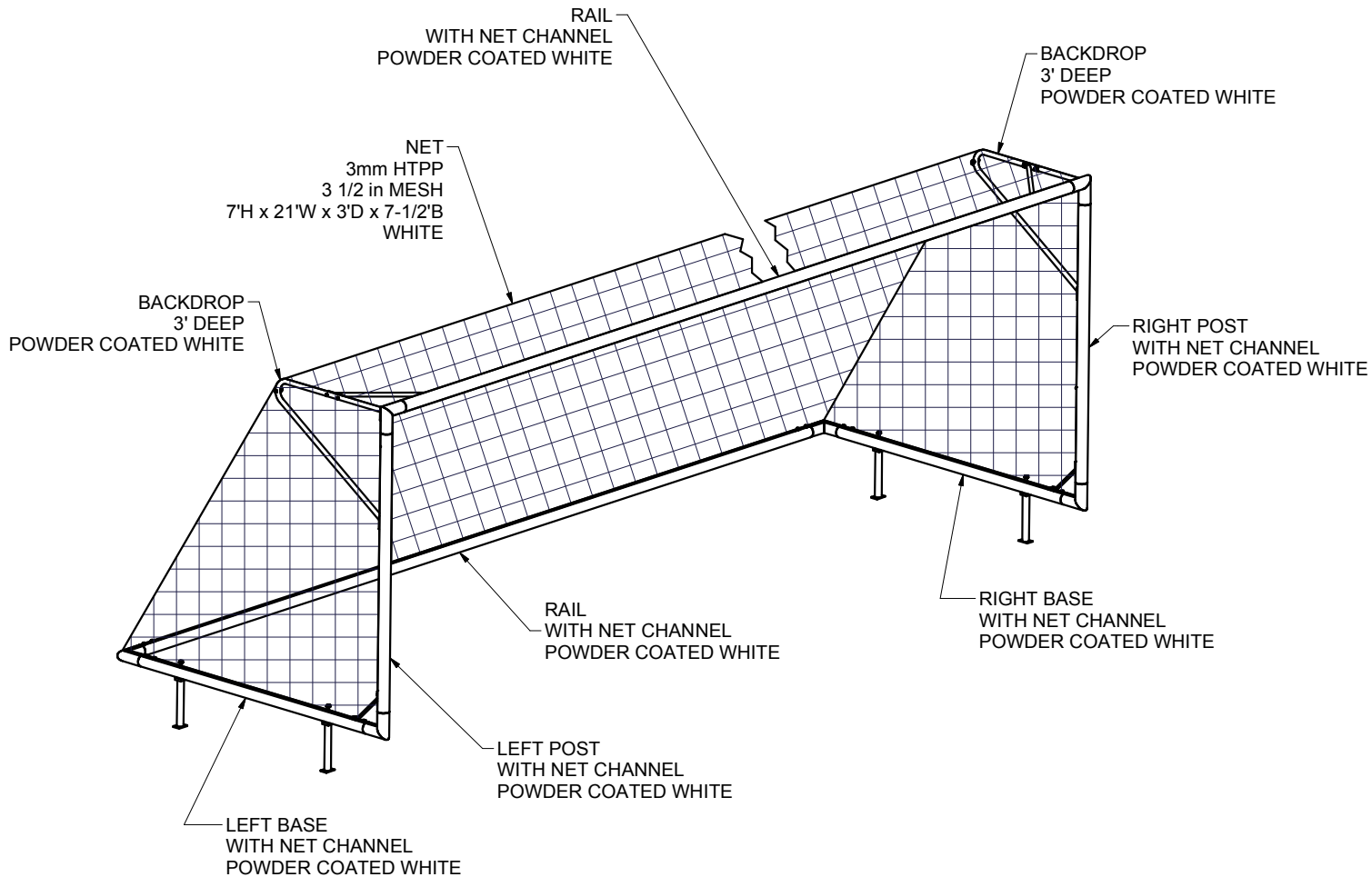
Desc:

Sheet: 2 of 4

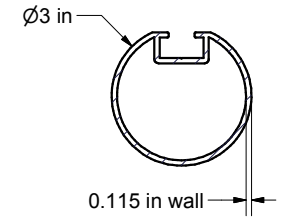
7' X 21' European Club Goal

Revision #: 2

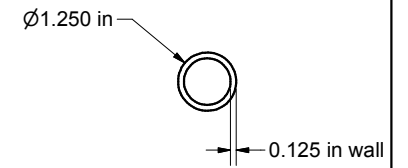
Cad File: 2B3005.idw



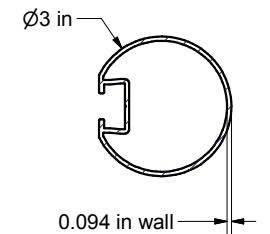
MATERIAL DETAILS



GOAL FRAME
MATERIAL - ALUMINUM

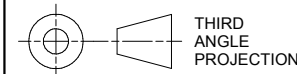


BACKDROP
MATERIAL - ALUMINUM



RAILS
MATERIAL - ALUMINUM

Finish Info. White Powder Coat



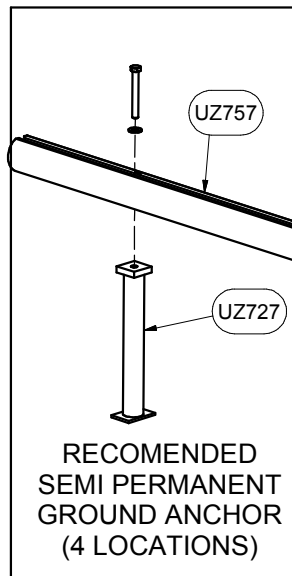
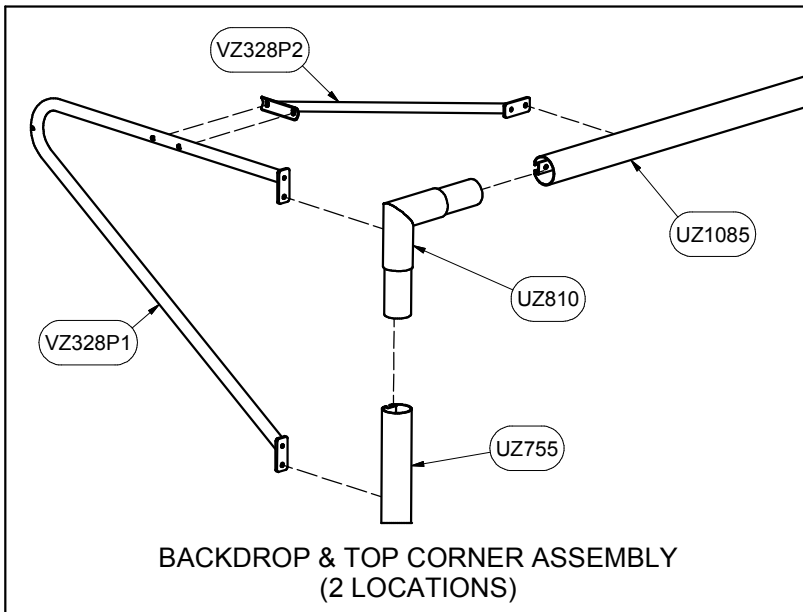
DIMENSIONS ARE IN INCHES UNLESS OTHERWISE SPECIFIED

This item is the **exclusive** property of **KWIK GOAL LTD.** Reproduction or duplication **without** the express written consent of **KWIK GOAL LTD.** is **strictly forbidden.**

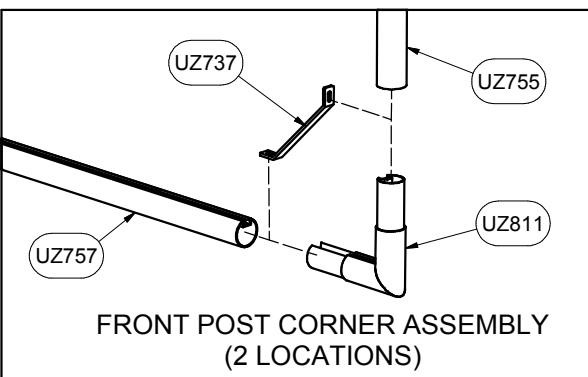
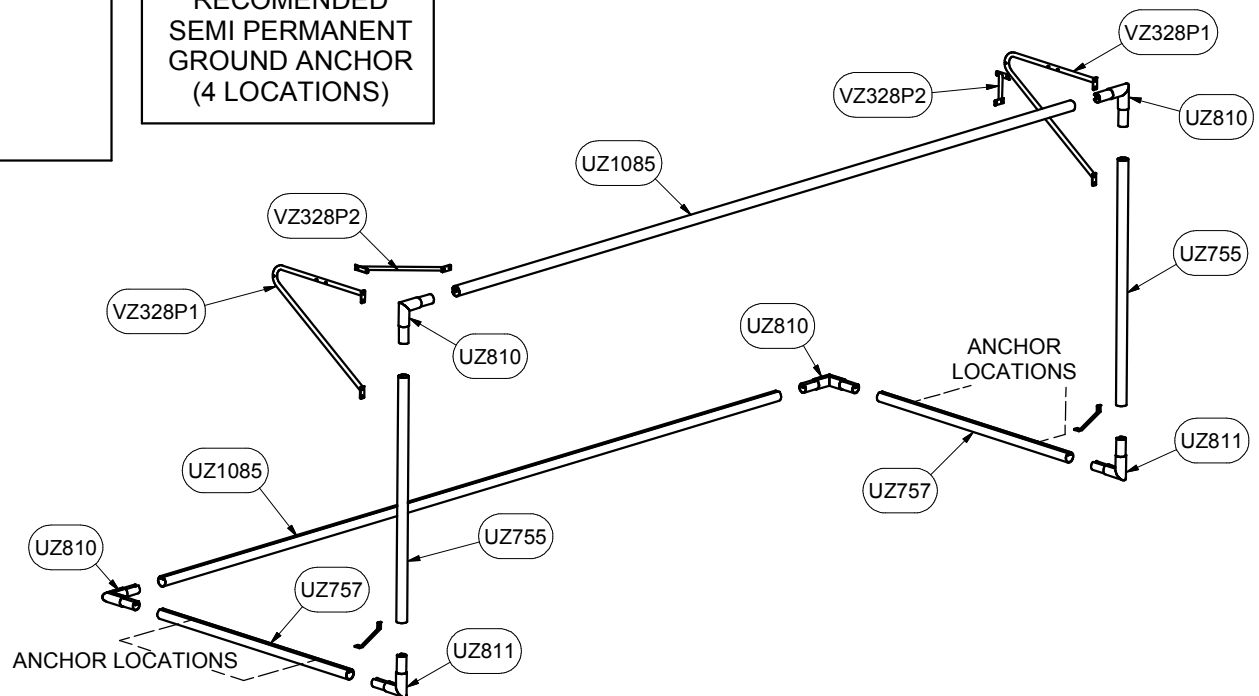
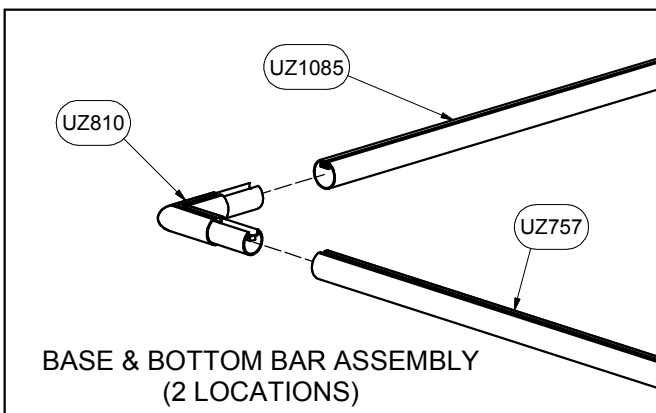


Approved By:
Date:
Drawn By: brush
Date: 3/5/2004
Sheet: 3 of 4
Revision #: 2
Cad File: 2B3005.idw

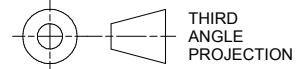
Part #: **2B3005**
Desc: 7' X 21' European Club Goal



Parts List		
Part #	Qty	Description
UZ810	4	RAIL CORNER, EURO CLUB
UZ811	2	POST CORNER, EURO CLUB
UZ812	12	CHANNEL SPACER
UZ727	4	GROUND ANCHOR ASSEMBLY
UZ737	2	Front Post Brace
UZ755	2	Post, 2B3005
UZ757	2	Base, 2B3005
UZ1085	2	Rail, 2B3005
3B6825	1	NET, 3MM ROPE, 3 1/2 in MESH
VZ328P1	3	BACKSTAY
VZ328P2	3	BACKSTAY BRACE



Finish Info. White Powder Coat



DIMENSIONS ARE IN INCHES
UNLESS OTHERWISE SPECIFIED

This item is the **exclusive**
property of **KWIK GOAL LTD.**
Reproduction or duplication
without the express written
consent of **KWIK GOAL LTD.**
is **strictly forbidden.**



Approved By:
Date:
Drawn By: brush
Date: 3/5/2004
Sheet: 4 of 4
Revision #: 2
Cad File: 2B3005.idw

Part #:
2B3005
Desc:
7' X 21' European Club Goal