



**IMPORTANT GOAL SAFETY INSTRUCTIONS**  
**READ CAREFULLY**

1. Check for structural integrity and proper connecting hardware before every use. Replace damaged or missing parts or fasteners immediately.
2. Safety/Warning labels must be clearly visible.
3. Securely anchor moveable soccer goals at ALL times.
4. Always instruct players, managers, coaches, trainers, teachers, maintenance workers and all other personnel who might come in contact with the goal, on the safe handling of and potential dangers associated with moveable soccer goals.
5. Always exercise extreme caution when moving goals and provide adequate manpower to move goals of varied sizes and weights. Moveable soccer goals should only be moved by authorized personnel.
6. NEVER allow anyone to climb on the net or goal framework.
7. Moveable soccer goals should only be used on LEVEL fields, NEVER on a slope or hill area.
8. Remove nets when goals are not in use.
9. Most of the tip-over injuries occurred when goals were unattended. Anchor or chain one goal to another or to nearby fence posts, dugouts, or any other similar sturdy fixture when not in use. If this is not practical, store moveable soccer goals in a place where children cannot have access to them.
10. Fully disassemble goals for seasonal storage.



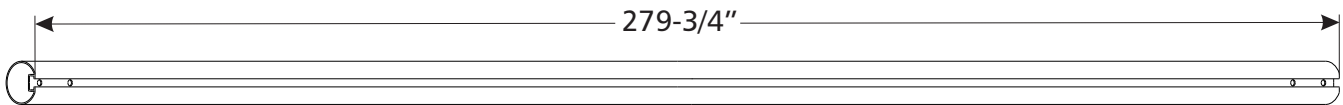
Most Kwik Goal products carry a **Lifetime Guarantee**. For details or claims, visit [kwikgoal.com](http://kwikgoal.com) or contact customer service at 1-800-531-4252.

### ASSEMBLY INSTRUCTIONS FOR EUROPEAN CLUB SOCCER GOAL 2B3006

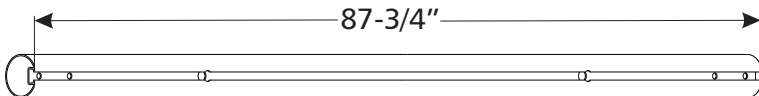
1. Unpack all parts and check for damage that may have occurred during shipping. If damage has occurred, notify trucking company immediately. Lay out all parts. Remove all cardboard or packaging immediately; Wet or damp packaging may damage contents.
2. Read through entire instruction before beginning assembly and installation.

**NOTE: Components may be packaged in one or more additional boxes.**

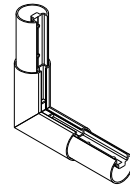
Rail (2)  
(Part# UZ1088)



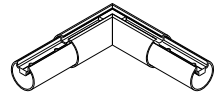
Base (2)  
(Part# UZ760)



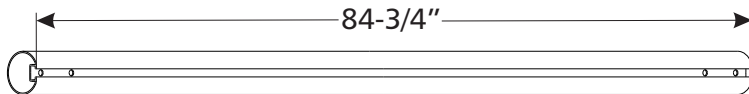
Post Corner (2)  
(Part# UZ811)



Rail Corner (4)  
(Part# UZ810)



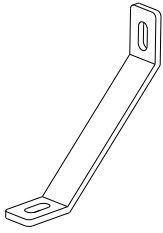
Post (2)  
(Part# UZ758)



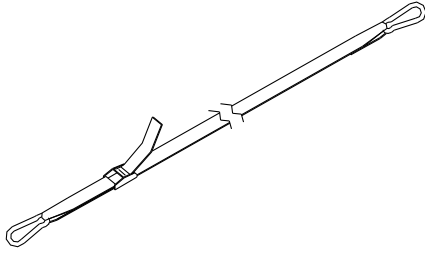
#### **\*\*\*CAUTION\*\*\***

**This goal has been designed to be used for the game of soccer only. Goal posts must be anchored AT ALL TIMES and shall be secured against overturning. Do not climb on the net or goal framework at anytime! All fastenings must be checked to insure they are fully tightened before and after each use of this product. Goal posts not in use must be disassembled and properly stored in a safe, secure area. (See included Guidelines for Moveable Soccer Goal Safety.) Assembled goal posts should not be left unattended. Remove nets when goals are not in use. Do not use this equipment during the threat of high winds. Goal posts should be checked for safety before and after each use. All warning and safety labels included with this product must be visible at all times. Any modifications to this or any Kwik Goal product will void any and all warranties.**

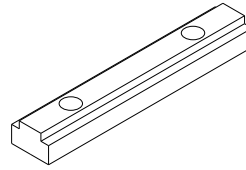
Post Braces (2)  
(Part# UZ737)



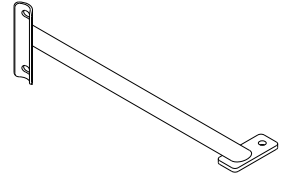
Net Strap (1)  
(Part# VZ601)



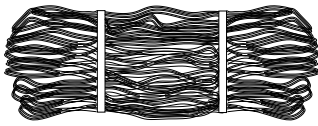
Channel Spacer (12)  
(Part# UZ812)



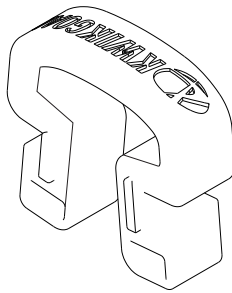
Backstay Brace (2)  
(Part# VZ328P2)



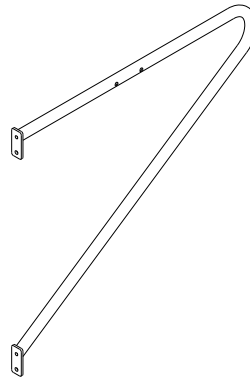
Net (1)  
(Part# 3B6826)



Net Clip (80)  
(Part# VZ116)



Backstay (2)  
(Part# VZ328P1)



Ground Anchor (4)  
w/hardware  
(Part# UZ727)



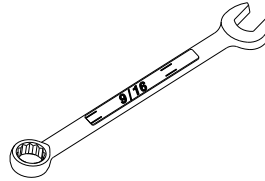
Hardware

Note: Hardware may be packaged separately in one or more boxes. Open all packages before beginning assembly.

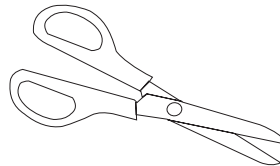
- 3/8" x 1 3/4" Hex Bolt (Part# TZ227) (28)
- 3/8" x 7/8" Hex Bolt (Part# TZ249) (6)
- 3/8" Lock Washer (Part# TZ65) (30)
- 3/8" Flat Washer (Part# TZ60) (34)
- 3/8" Lock Nut (Part# TZ197) (4)
- 3/8" Square Nut (Part# TZ247) (6)
- 5/16" Eyebolt (Part# TZ270) (2)
- 5/16" Flat Washer (Part# TZ269) (2)
- 5/16" Lock Nut (Part# TZ5) (2)

Assembly Tools

1/2", 9/16" & 3/4"  
Wrenches

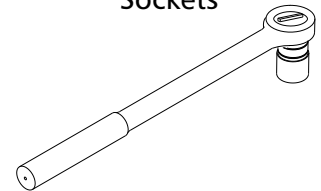


Scissors



Ratchet with  
1/2", 9/16" & 3/4"  
Sockets

AND

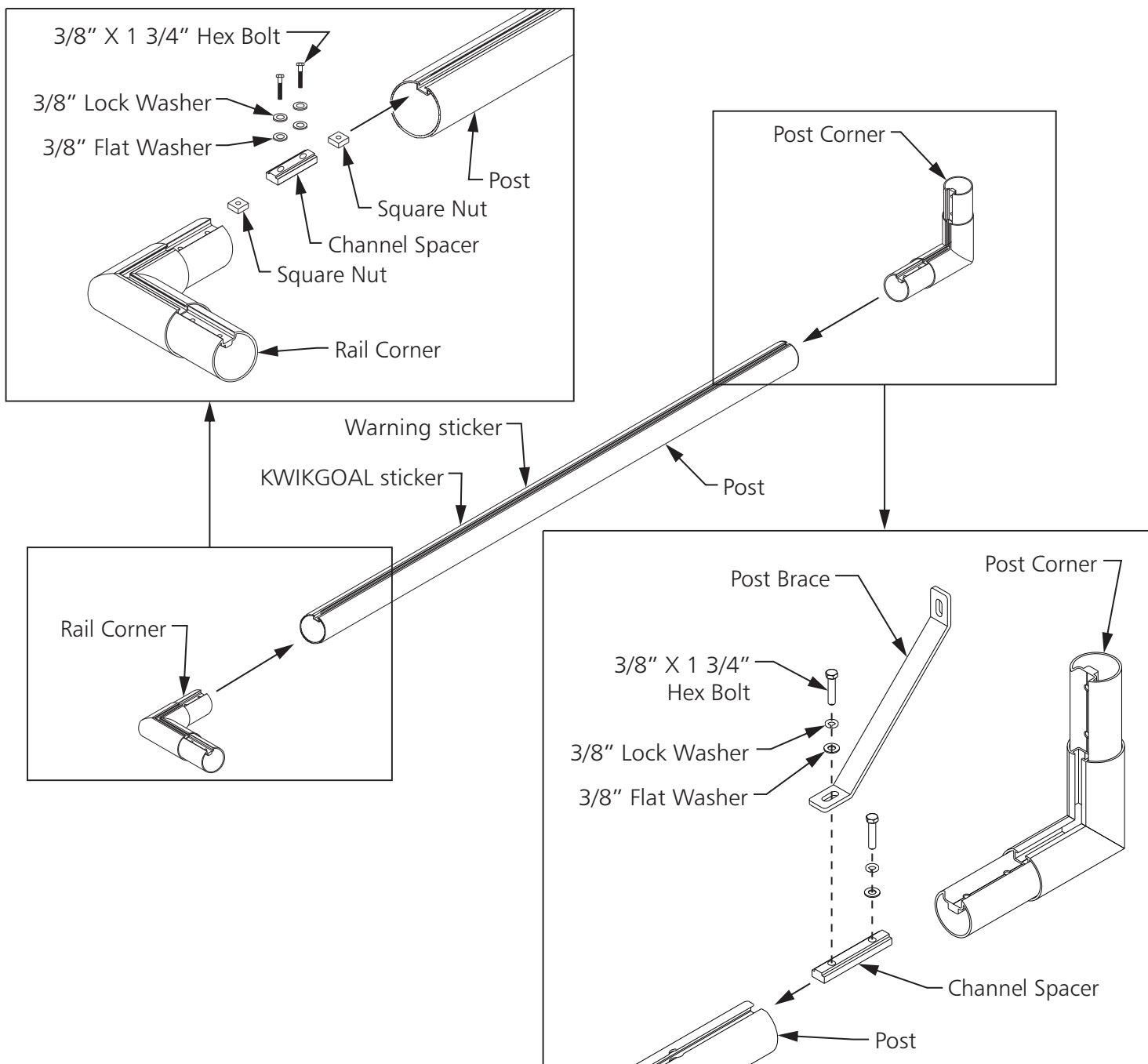


**\*\*\*CAUTION\*\*\***

**This goal has been designed to be used for the game of soccer only. Goal posts must be anchored AT ALL TIMES and shall be secured against overturning. Do not climb on the net or goal framework at anytime! All fastenings must be checked to insure they are fully tightened before and after each use of this product. Goal posts not in use must be disassembled and properly stored in a safe, secure area. (See included Guidelines for Moveable Soccer Goal Safety.) Assembled goal posts should not be left unattended. Remove nets when goals are not in use. Do not use this equipment during the threat of high winds. Goal posts should be checked for safety before and after each use. All warning and safety labels included with this product must be visible at all times. Any modifications to this or any Kwik Goal product will void any and all warranties.**

- Attach posts to rail corner and post corner as shown. Be sure connections are pressed firmly together before tightening hex bolts.

Note: Square nuts will float loose in net channel until step 6.

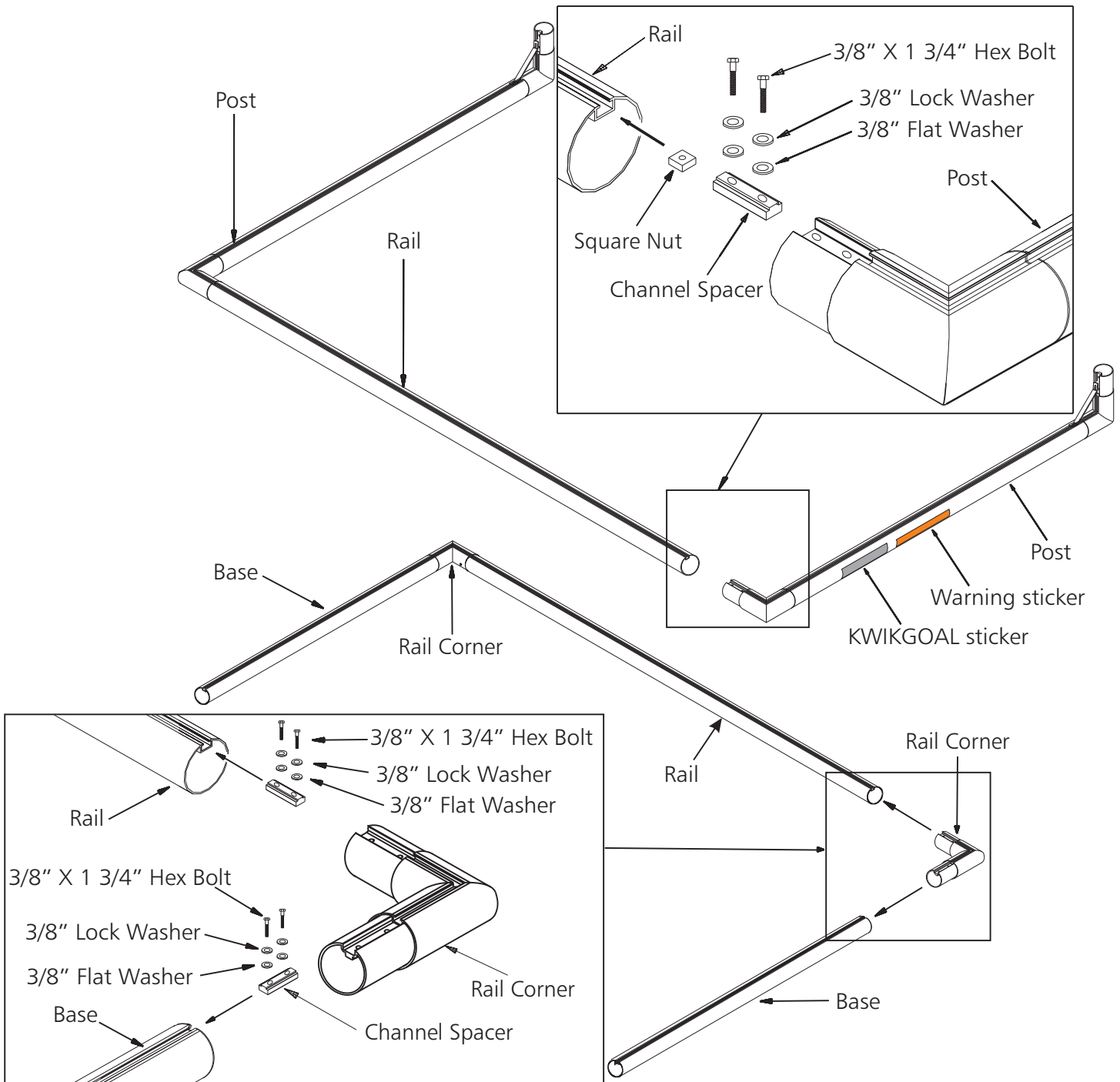


**\*\*\*CAUTION\*\*\***

**This goal has been designed to be used for the game of soccer only. Goal posts must be anchored AT ALL TIMES and shall be secured against overturning. Do not climb on the net or goal framework at anytime! All fastenings must be checked to insure they are fully tightened before and after each use of this product. Goal posts not in use must be disassembled and properly stored in a safe, secure area. (See included Guidelines for Moveable Soccer Goal Safety.) Assembled goal posts should not be left unattended. Remove nets when goals are not in use. Do not use this equipment during the threat of high winds. Goal posts should be checked for safety before and after each use. All warning and safety labels included with this product must be visible at all times. Any modifications to this or any Kwik Goal product will void any and all warranties.**

- Assemble post and bases to rails as shown. Be sure connections are pressed firmly together before tightening hex bolts.

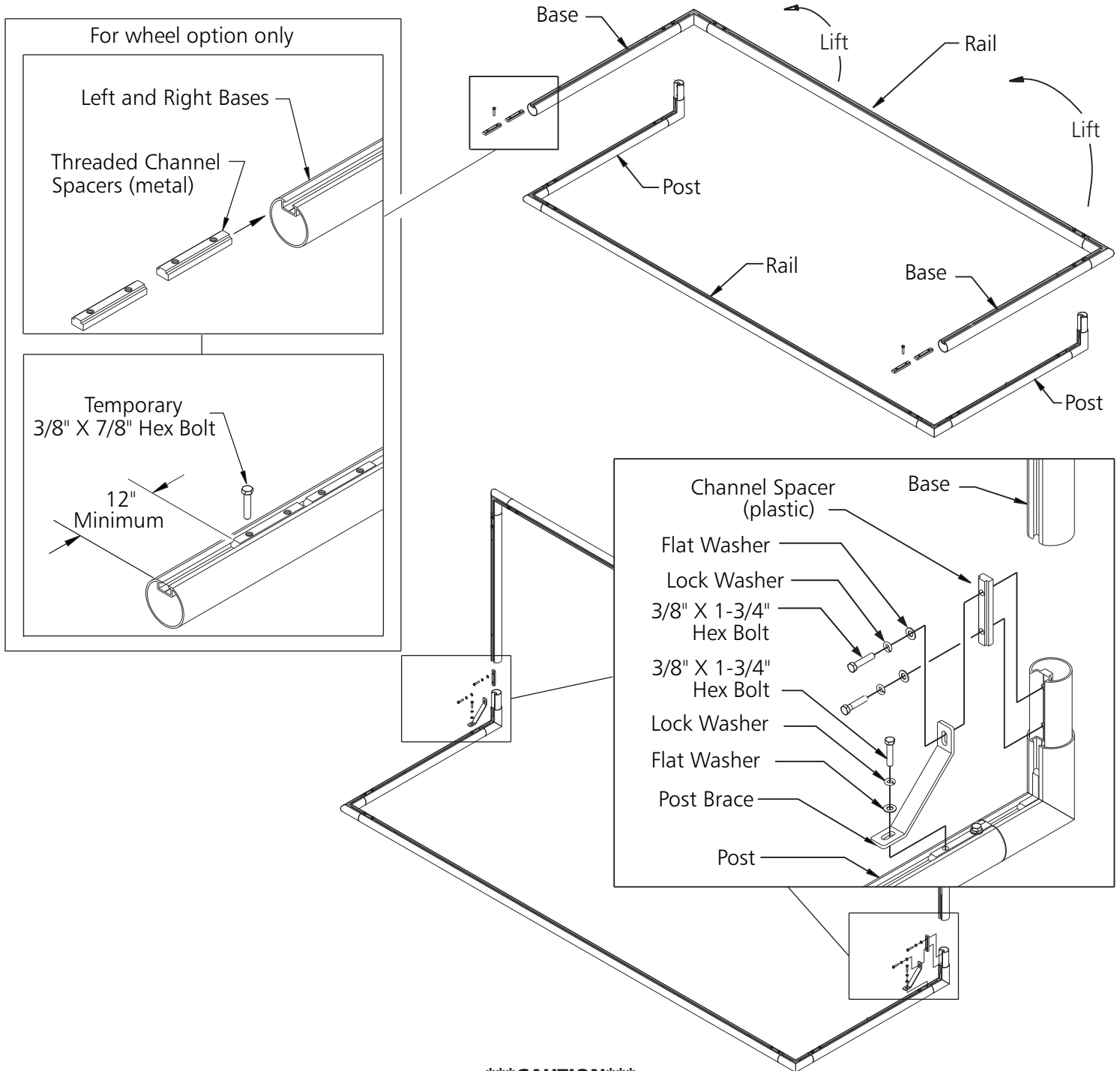
NOTE: Square nuts will float loose in net channel until step 6.



**\*\*\*CAUTION\*\*\***

**This goal has been designed to be used for the game of soccer only. Goal posts must be anchored AT ALL TIMES and shall be secured against overturning. Do not climb on the net or goal framework at anytime! All fastenings must be checked to insure they are fully tightened before and after each use of this product. Goal posts not in use must be disassembled and properly stored in a safe, secure area. (See included Guidelines for Moveable Soccer Goal Safety.) Assembled goal posts should not be left unattended. Remove nets when goals are not in use. Do not use this equipment during the threat of high winds. Goal posts should be checked for safety before and after each use. All warning and safety labels included with this product must be visible at all times. Any modifications to this or any Kwik Goal product will void any and all warranties.**

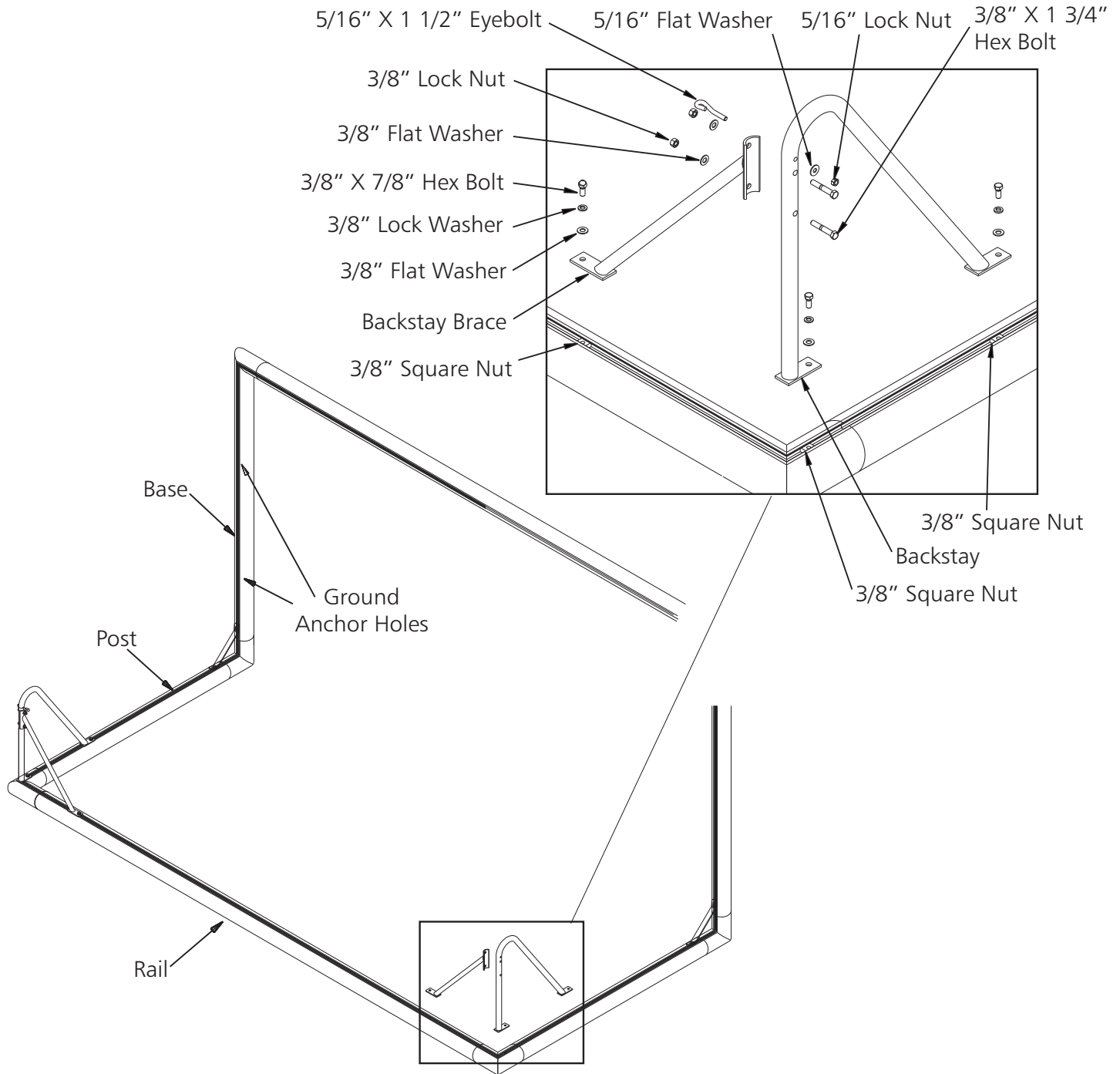
5. **NOTE: If installing optional wheels, insert a threaded channel spacers from wheel option package in each base.** To prevent threaded channel spacers from falling out during assembly, temporarily insert a 3/8" hex bolt into the threaded channel spacers and finger tighten. Lift assembled bases and insert into assembled posts. Be sure connections are pressed firmly together before tightening hex bolts.



**\*\*\*CAUTION\*\*\***

**This goal has been designed to be used for the game of soccer only. Goal posts must be anchored AT ALL TIMES and shall be secured against overturning. Do not climb on the net or goal framework at anytime! All fastenings must be checked to insure they are fully tightened before and after each use of this product. Goal posts not in use must be disassembled and properly stored in a safe, secure area. (See included Guidelines for Moveable Soccer Goal Safety.) Assembled goal posts should not be left unattended. Remove nets when goals are not in use. Do not use this equipment during the threat of high winds. Goal posts should be checked for safety before and after each use. All warning and safety labels included with this product must be visible at all times. Any modifications to this or any Kwik Goal product will void any and all warranties.**

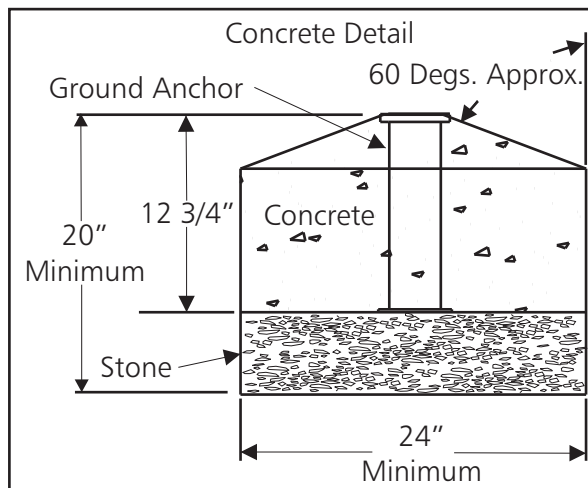
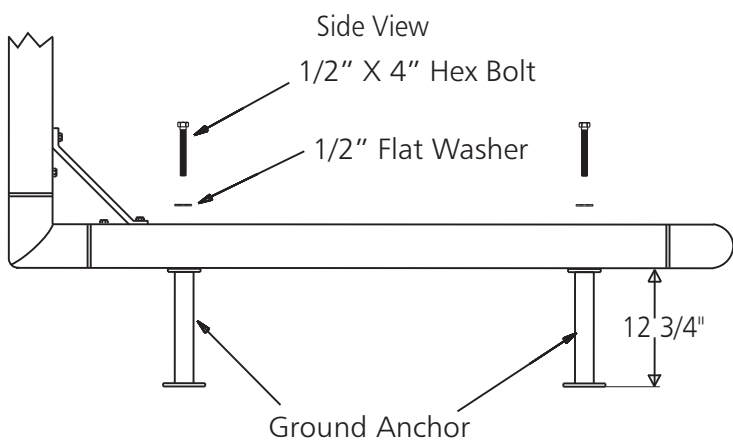
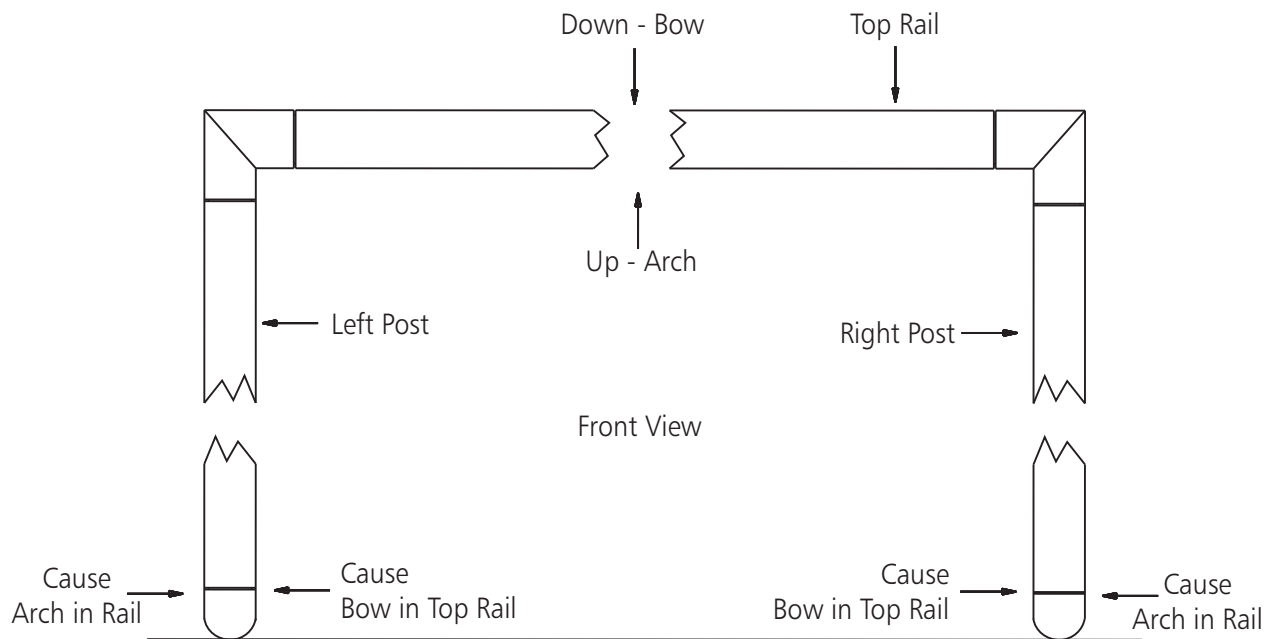
6. Remove 3/8" hex bolts used to temporarily secure channel spacers in bases. Attach backstays and backstay braces to square nuts as shown.



**\*\*\*CAUTION\*\*\***

**This goal has been designed to be used for the game of soccer only. Goal posts must be anchored AT ALL TIMES and shall be secured against overturning. Do not climb on the net or goal framework at anytime! All fastenings must be checked to insure they are fully tightened before and after each use of this product. Goal posts not in use must be disassembled and properly stored in a safe, secure area. (See included Guidelines for Moveable Soccer Goal Safety.) Assembled goal posts should not be left unattended. Remove nets when goals are not in use. Do not use this equipment during the threat of high winds. Goal posts should be checked for safety before and after each use. All warning and safety labels included with this product must be visible at all times. Any modifications to this or any Kwik Goal product will void any and all warranties.**

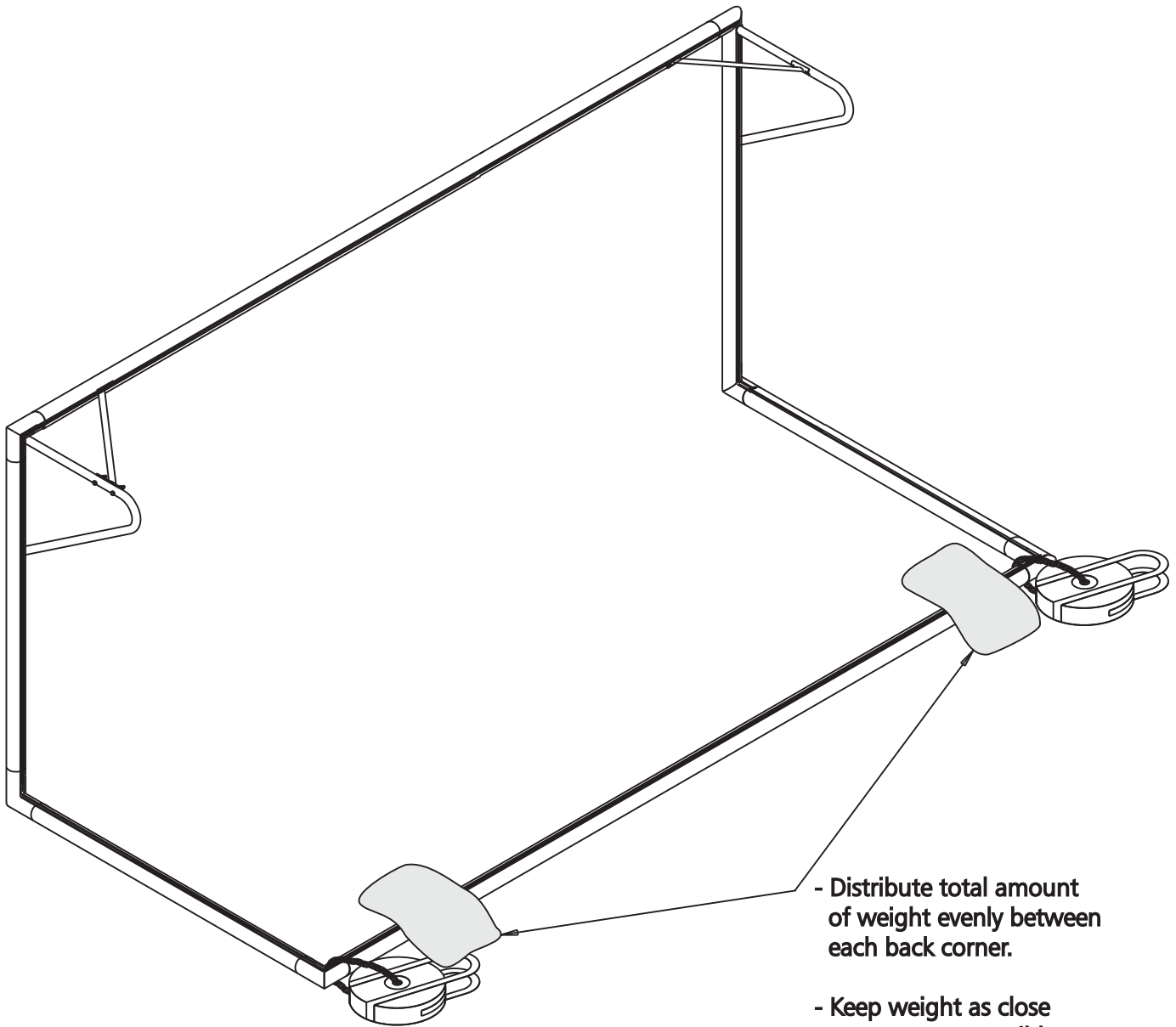
7. Set goal onto bases in desired location and mark anchor hole locations. Move goal and dig holes a minimum of 24" in diameter and 20" deep. (NOTE: Areas subject to heavy ground frost may go as deep as 36".)
8. Attach ground anchors to assembled goal. Set goal in desired installation location with anchors in holes, fill holes as shown, surrounding anchors with concrete. Make sure goal is plumb and level and let concrete cure.



**\*\*\*CAUTION\*\*\***

**This goal has been designed to be used for the game of soccer only. Goal posts must be anchored AT ALL TIMES and shall be secured against overturning. Do not climb on the net or goal framework at anytime! All fastenings must be checked to insure they are fully tightened before and after each use of this product. Goal posts not in use must be disassembled and properly stored in a safe, secure area. (See included Guidelines for Moveable Soccer Goal Safety.) Assembled goal posts should not be left unattended. Remove nets when goals are not in use. Do not use this equipment during the threat of high winds. Goal posts should be checked for safety before and after each use. All warning and safety labels included with this product must be visible at all times. Any modifications to this or any Kwik Goal product will void any and all warranties.**

9. If using counterbalance weights instead of ground anchors, the minimum amount of weight required is 200 LBS.

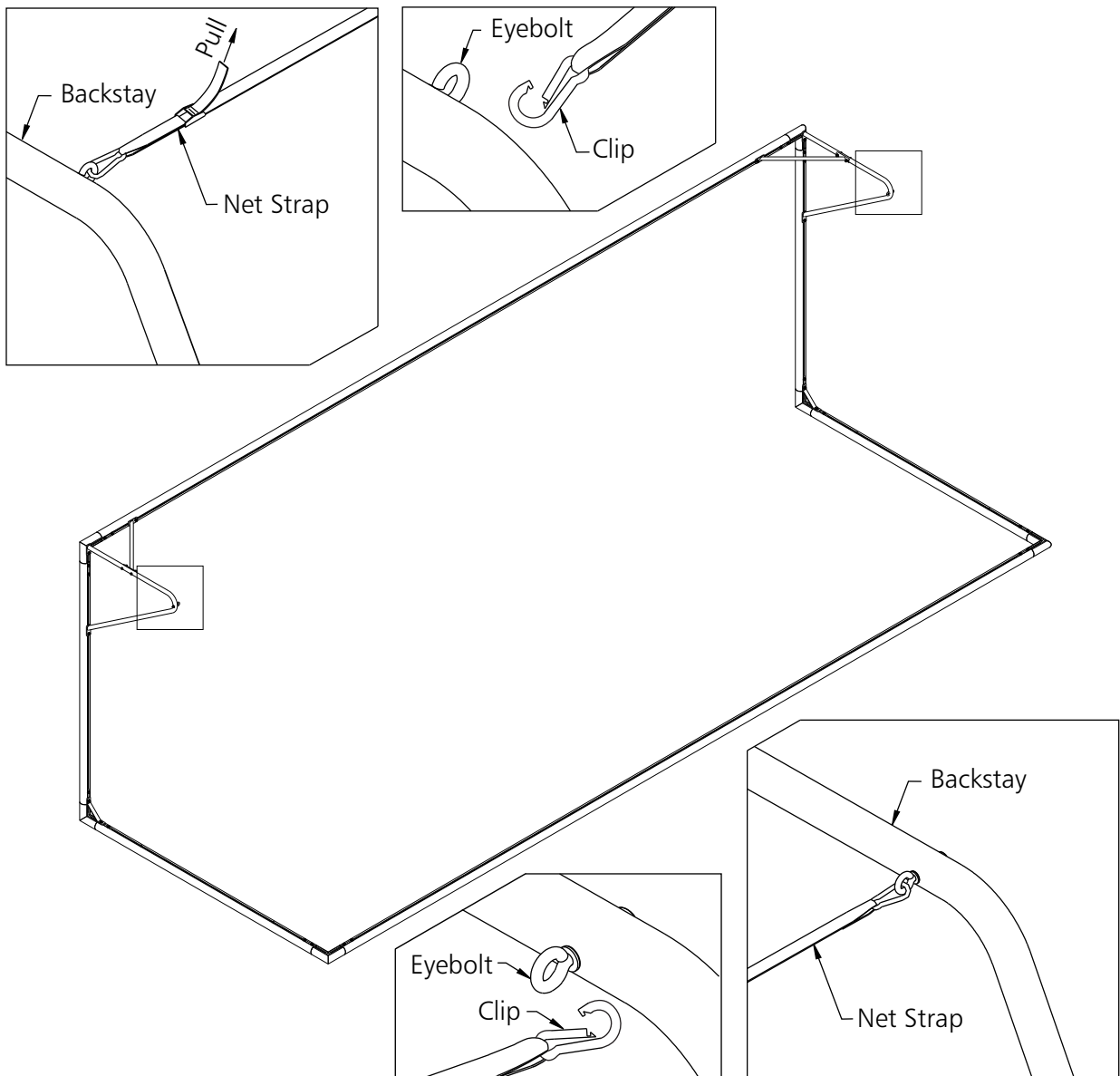


- Distribute total amount of weight evenly between each back corner.
- Keep weight as close to corners as possible.
- Always fasten weight to goal with straps or hardware.

**\*\*\*CAUTION\*\*\***

**This goal has been designed to be used for the game of soccer only. Goal posts must be anchored AT ALL TIMES and shall be secured against overturning. Do not climb on the net or goal framework at anytime! All fastenings must be checked to insure they are fully tightened before and after each use of this product. Goal posts not in use must be disassembled and properly stored in a safe, secure area. (See included Guidelines for Moveable Soccer Goal Safety.) Assembled goal posts should not be left unattended. Remove nets when goals are not in use. Do not use this equipment during the threat of high winds. Goal posts should be checked for safety before and after each use. All warning and safety labels included with this product must be visible at all times. Any modifications to this or any Kwik Goal product will void any and all warranties.**

10. Attach net strap to the eyebolts in the backstays as shown. Pull net strap tight as shown. **(NOTE: Do not over tighten net strap. Over tightening may damage goal.)** Excess strap can be trimmed to length. Leave 12" to 18" of excess strap for ease of removal and re-installation. *(Note: To keep end of adjustable strap from fraying, ends can be melted after being cut.)* Tie all excess strap to itself to prevent from hanging in goal area.

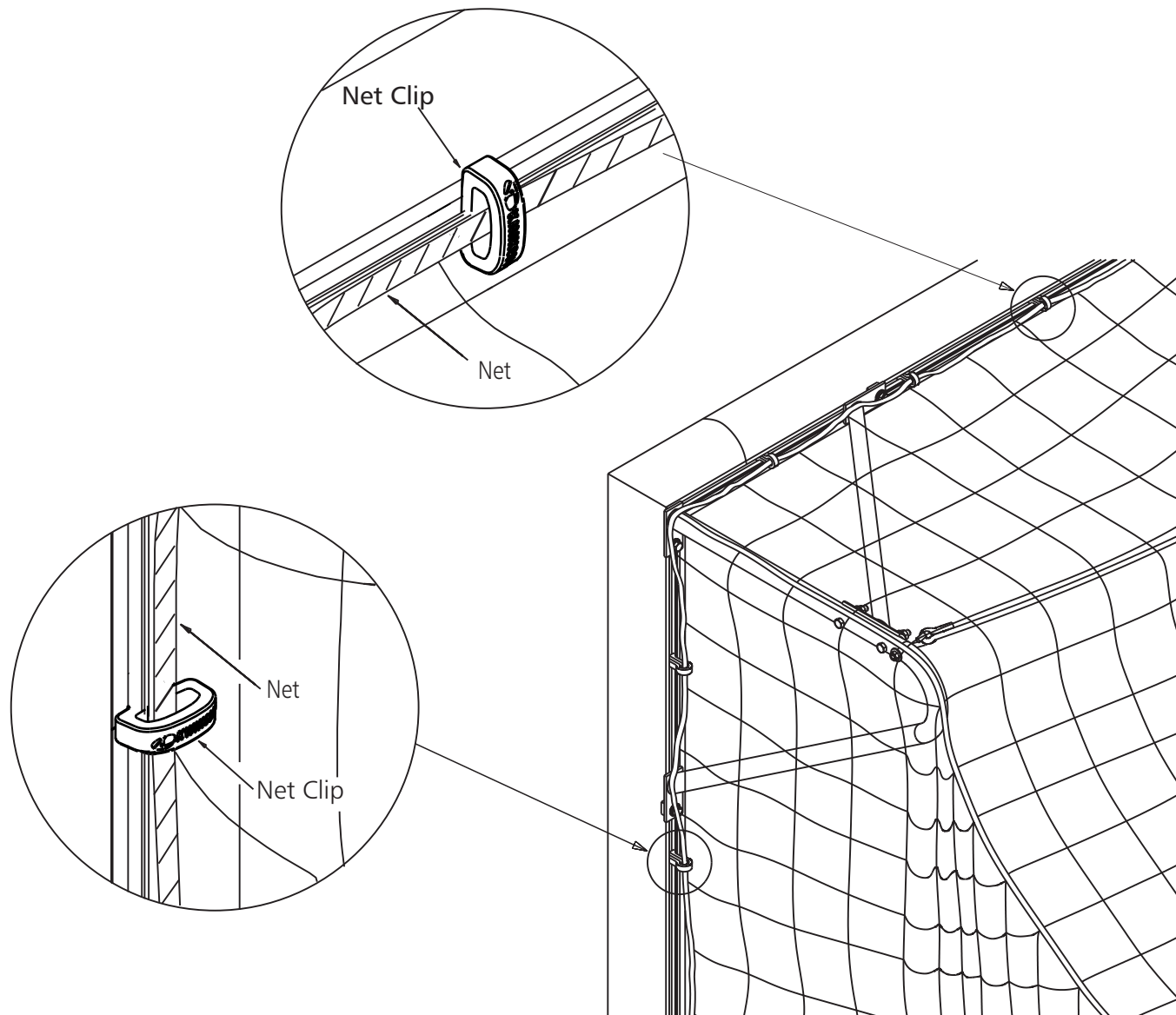


**\*\*\*CAUTION\*\*\***

**This goal has been designed to be used for the game of soccer only. Goal posts must be anchored AT ALL TIMES and shall be secured against overturning. Do not climb on the net or goal framework at anytime! All fastenings must be checked to insure they are fully tightened before and after each use of this product. Goal posts not in use must be disassembled and properly stored in a safe, secure area. (See included Guidelines for Moveable Soccer Goal Safety.) Assembled goal posts should not be left unattended. Remove nets when goals are not in use. Do not use this equipment during the threat of high winds. Goal posts should be checked for safety before and after each use. All warning and safety labels included with this product must be visible at all times. Any modifications to this or any Kwik Goal product will void any and all warranties.**

11. To attach net to goal, place base of net clip into channel and turn 90 degrees to lock into place.  
NOTE: BE SURE GOAL IS PROPERLY ANCHORED BEFORE ATTEMPTING TO ATTACH OR REMOVE NET.

**CAUTION: DO NOT ATTEMPT TO CLIMB ON GOAL WHILE ATTACHING NET.**



**\*\*\*CAUTION\*\*\***

This goal has been designed to be used for the game of soccer only. Goal posts must be anchored **AT ALL TIMES** and shall be secured against overturning. Do not climb on the net or goal framework at anytime! All fastenings must be checked to insure they are fully tightened before and after each use of this product. Goal posts not in use must be disassembled and properly stored in a safe, secure area. (See included Guidelines for Moveable Soccer Goal Safety.) Assembled goal posts should not be left unattended. Remove nets when goals are not in use. Do not use this equipment during the threat of high winds. Goal posts should be checked for safety before and after each use. All warning and safety labels included with this product must be visible at all times. Any modifications to this or any Kwik Goal product will void any and all warranties.