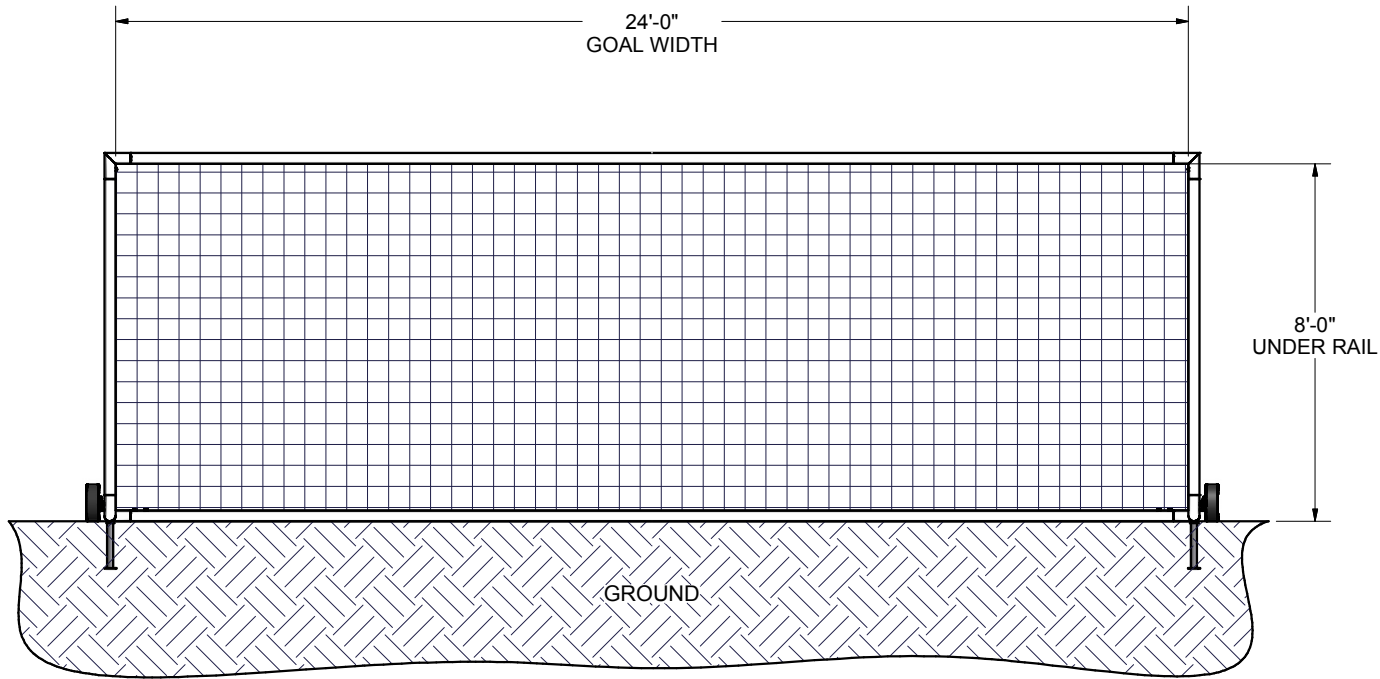
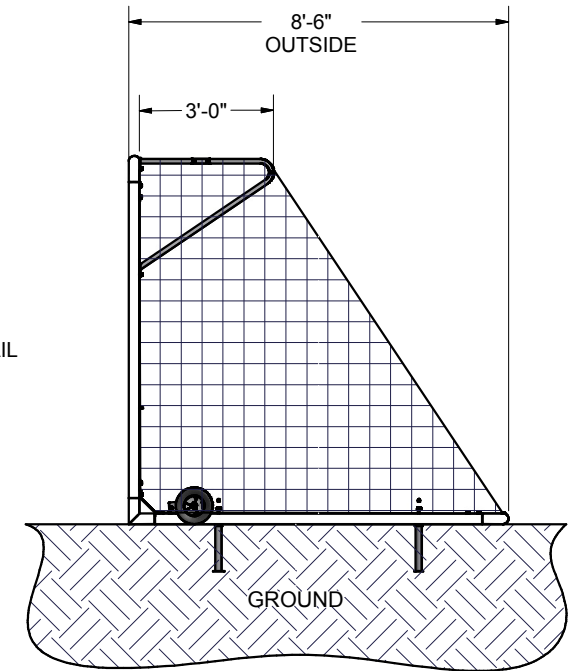


FRONT VIEW



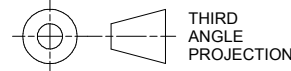
SIDE VIEW



FEATURES:

- 1) ALUMINUM GOAL FRAME AND BACKDROPS
- 2) FINISH: WHITE POWDER COAT
- 3) INCLUDED:
  - SEMI PERMANENT GROUND ANCHORS
  - 3 mm, WHITE NET
  - KWIK LOCK® NET CLIPS
  - 2 - RELIANCE TURF PRO NO-FLAT TIRES
- 4) ASSEMBLED GOAL WEIGHT: 162 LBS.
- 5) EXCEEDS:
  - NFSHSA SPECIFICATIONS
  - ASTM F2056-00 STANDARDS

**Finish Info.**



DIMENSIONS ARE IN INCHES  
UNLESS OTHERWISE SPECIFIED

This item is the **exclusive** property of **KWIK GOAL LTD.** Reproduction or duplication **without** the express written consent of **KWIK GOAL LTD.** is **strictly forbidden.**



Approved By:

Date:

Drawn By: KFrish

Date: 11/24/2010

Sheet: 1 of 4

Revision #: 1

Cad File: 2B3006W.idw

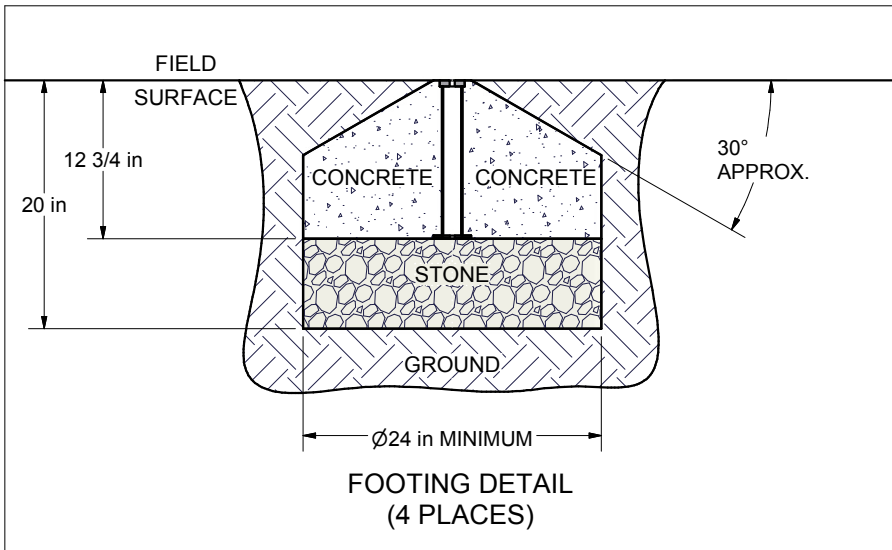
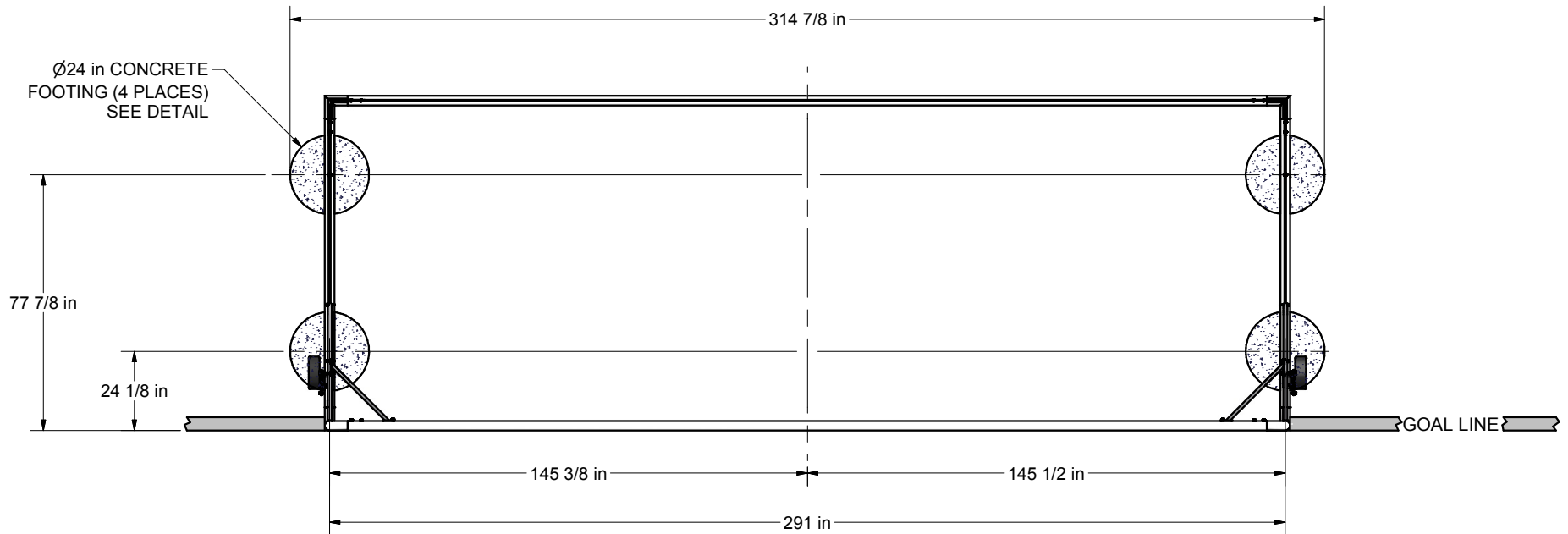
Part #:

**2B3006W**

Desc:

8' X 24' European Club Goal  
w/ Wheels

OVERHEAD VIEW



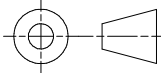

NOTES:

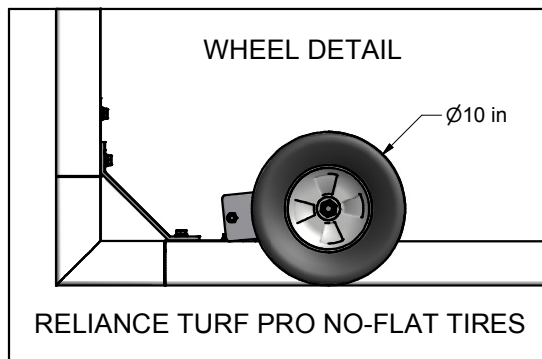
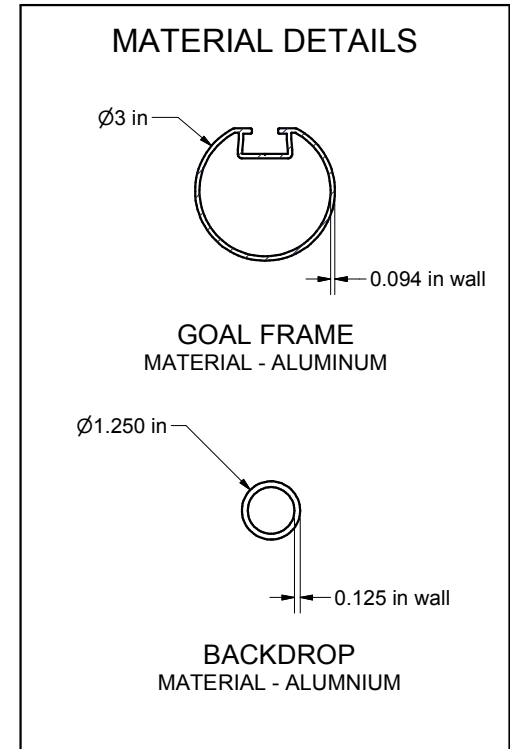
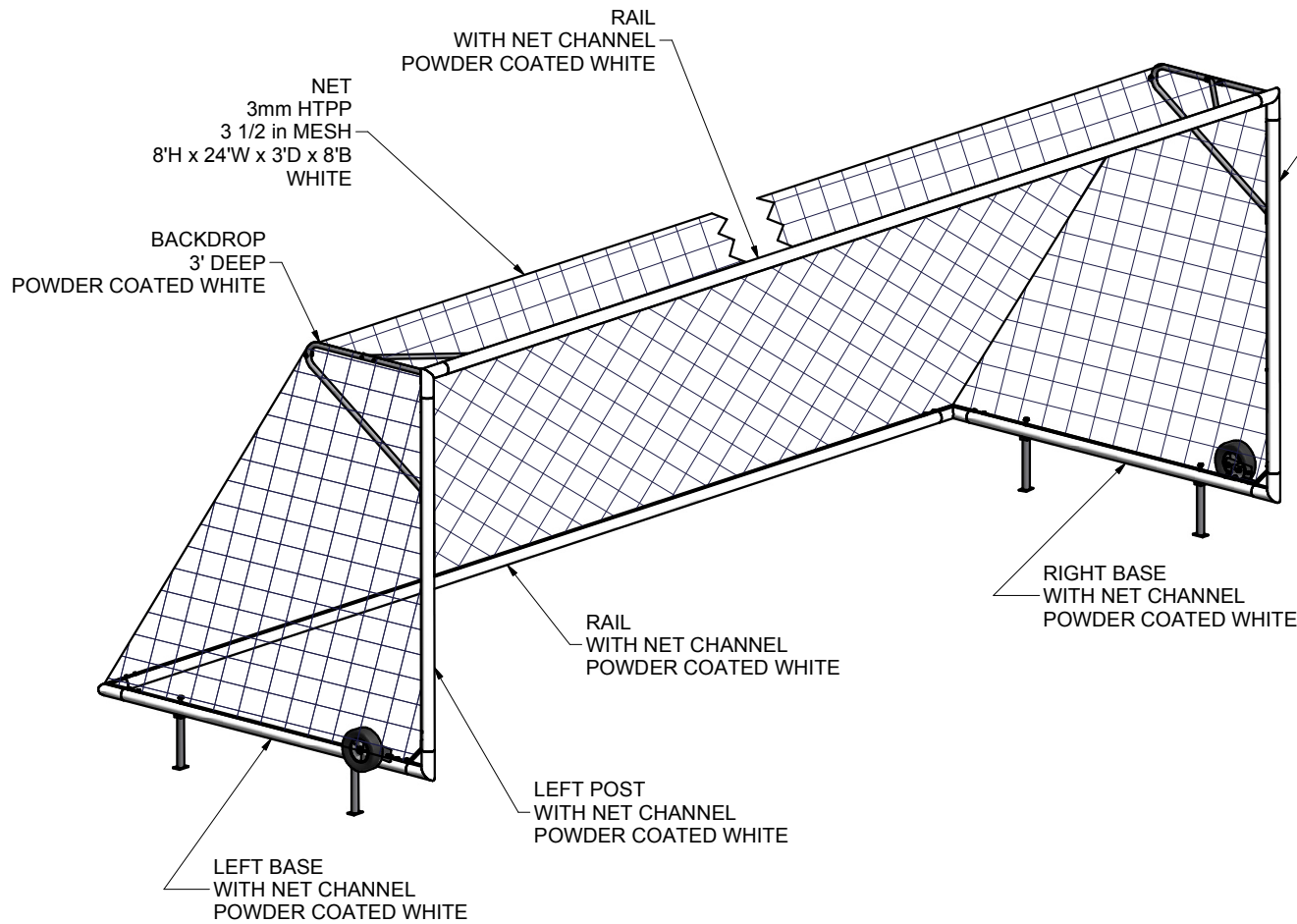
- 1) DIMENSIONS ARE FOR PLANNING PURPOSES. INSTALLATION MUST BE IN ACCORDANCE WITH INSTALLATION INSTRUCTIONS.

MATERIAL REQUIRED, BUT **NOT** SUPPLIED

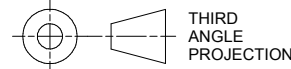
- 0.5 cubic yard - CONCRETE
  - 0.3 cubic yard - CLEAN STONE (1/4" - 3/4")
- ABOVE AMOUNTS ARE PER GOAL INSTALLATION

Finish Info.

 <p>THIRD ANGLE PROJECTION</p>	 <p>140 Pacific Drive Quakertown, Pa. 18951</p>	
	<p>DIMENSIONS ARE IN INCHES UNLESS OTHERWISE SPECIFIED</p>	<p>Approved By:</p> <p>Date:</p>
<p>This item is the <b>exclusive</b> property of <b>KWIK GOAL LTD.</b> Reproduction or duplication <b>without</b> the express written consent of <b>KWIK GOAL LTD.</b> is <b>strictly forbidden.</b></p>	<p>Drawn By: KFRisch</p> <p>Date: 11/24/2010</p> <p>Sheet: 2 of 4</p> <p>Revision #: 1</p> <p>Cad File: 2B3006W.idw</p>	<p>Desc:</p> <p>8' X 24' European Club Goal w/ Wheels</p>



**Finish Info.**



DIMENSIONS ARE IN INCHES UNLESS OTHERWISE SPECIFIED

This item is the **exclusive** property of **KWIK GOAL LTD.** Reproduction or duplication **without** the express written consent of **KWIK GOAL LTD.** is **strictly forbidden.**



Approved By:

Date:

Drawn By: KFrish

Date: 11/24/2010

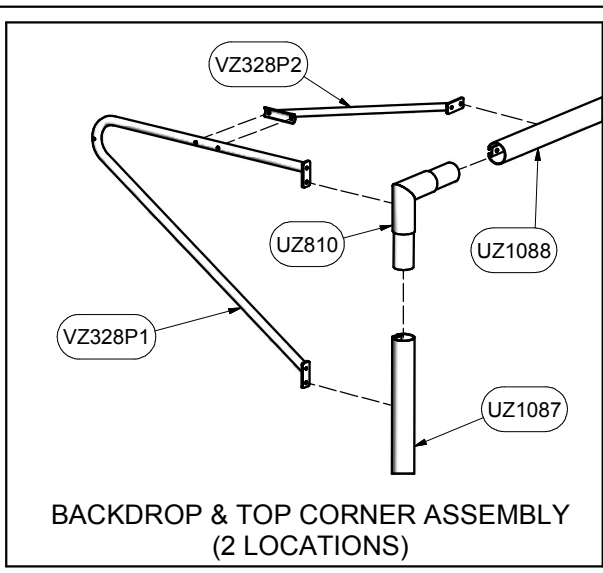
Sheet: 3 of 4

Revision #: 1

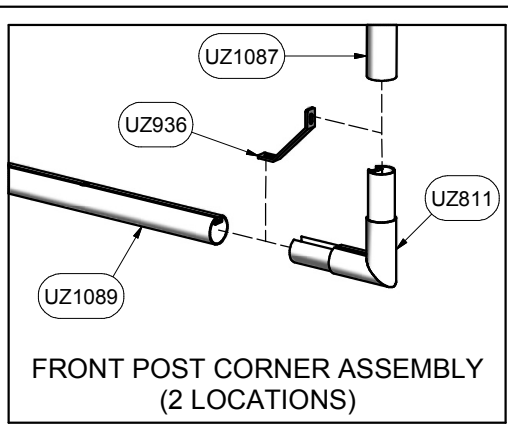
Cad File: 2B3006W.idw

Part #: **2B3006W**

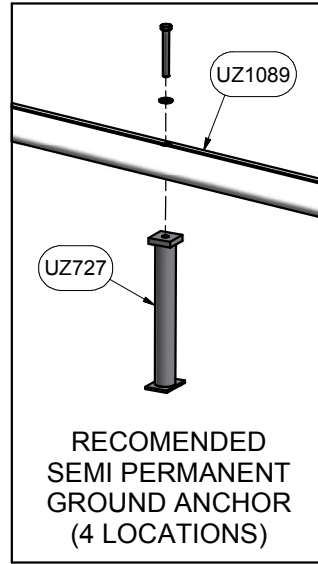
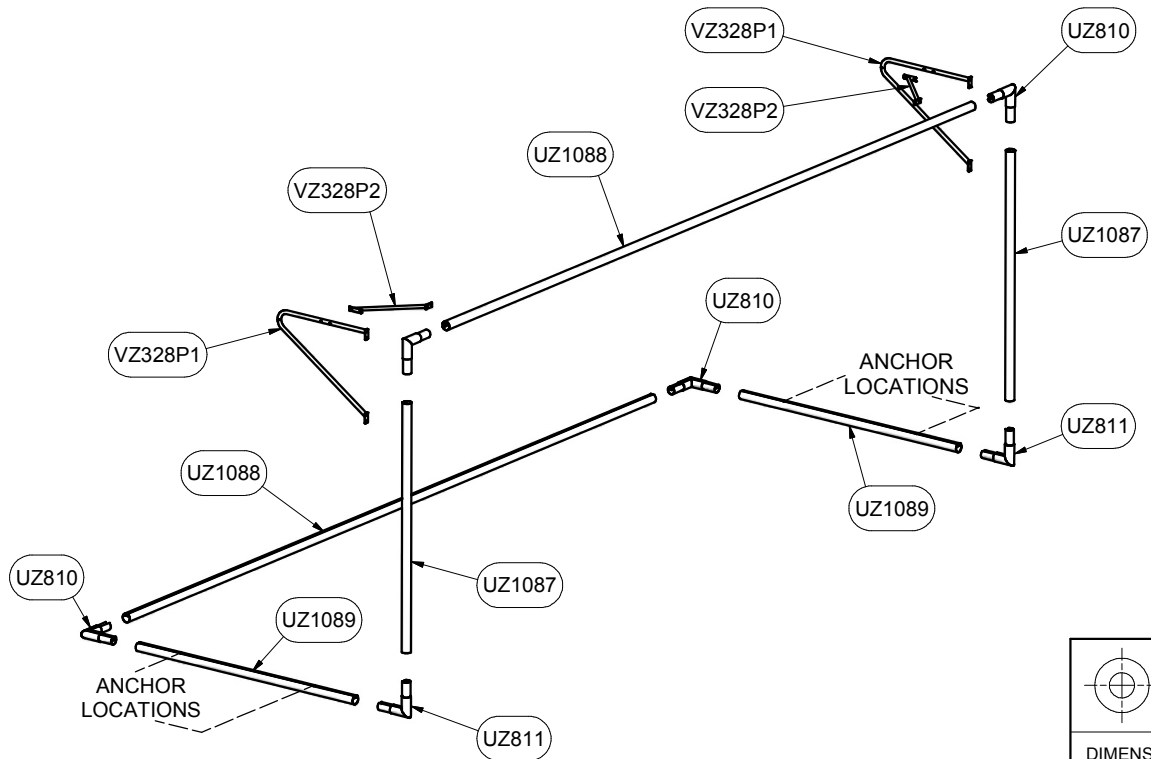
Desc: 8' X 24' European Club Goal w/ Wheels



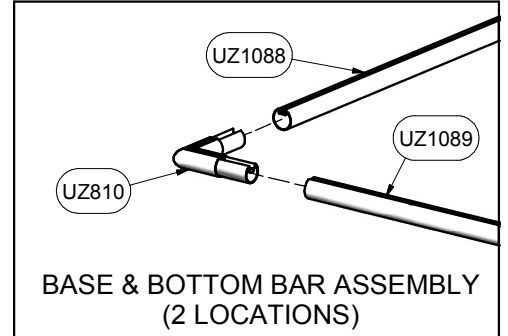
BACKDROP & TOP CORNER ASSEMBLY  
(2 LOCATIONS)



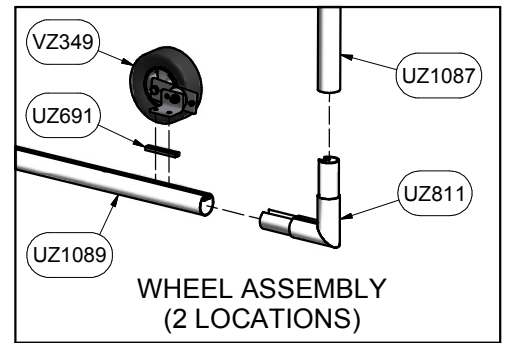
FRONT POST CORNER ASSEMBLY  
(2 LOCATIONS)



RECOMENDED  
SEMI PERMANENT  
GROUND ANCHOR  
(4 LOCATIONS)



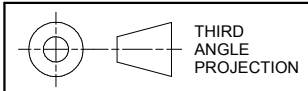
BASE & BOTTOM BAR ASSEMBLY  
(2 LOCATIONS)



WHEEL ASSEMBLY  
(2 LOCATIONS)

Parts List		
Part #	Qty	Description
UZ1088	2	Rail, 2B3006
UZ810	4	RAIL CORNER, EURO CLUB
UZ811	2	POST CORNER, EURO CLUB
UZ812	12	CHANNEL SPACER
UZ1089	2	Base, 2B3006
UZ1087	2	Front Post, 2B3006
UZ727	4	GROUND ANCHOR ASSEMBLY
UZ936	2	POST BRACE
3B6826	1	NET, 3MM ROPE, 3 1/2 in MESH
VZ328P2	2	BACKDROP BRACE
VZ328P1	2	BACKDROP
UZ691	2	Threaded Channel Spacer
VZ349	2	FLAT PROOF TIRE

Finish Info.



THIRD  
ANGLE  
PROJECTION

DIMENSIONS ARE IN INCHES  
UNLESS OTHERWISE SPECIFIED

This item is the **exclusive** property of **KWIK GOAL LTD.** Reproduction or duplication **without** the express written consent of **KWIK GOAL LTD.** is **strictly forbidden.**



Approved By:  
Date:  
Drawn By: KFRisch  
Date: 11/24/2010  
Sheet: 4 of 4  
Revision #: 1  
Cad File: 2B3006W.idw

Part #:  
**2B3006W**  
Desc:  
8' X 24' European Club Goal  
w/ Wheels