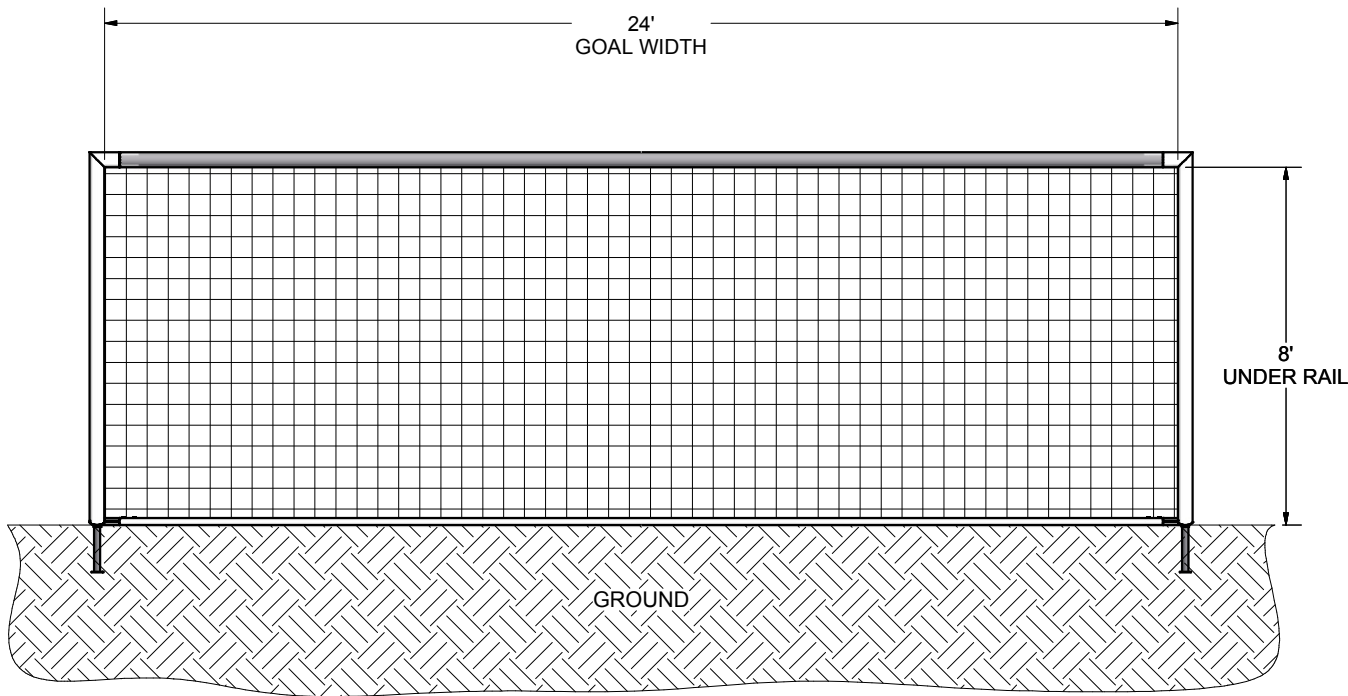
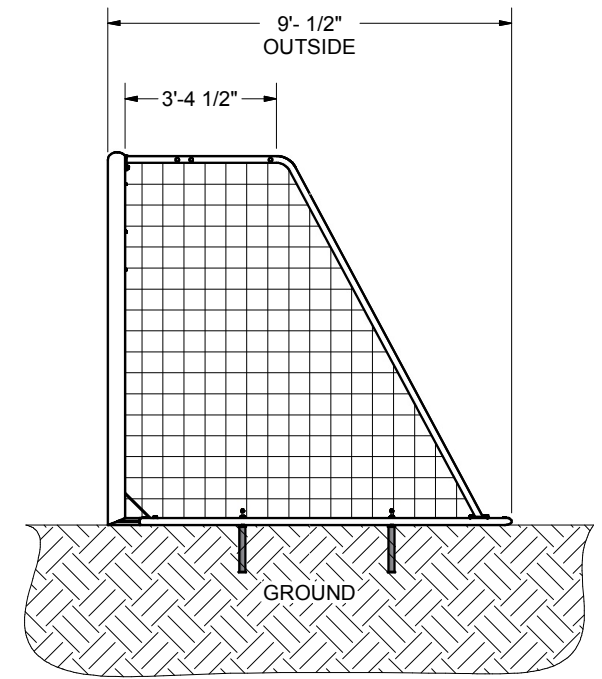


FRONT VIEW



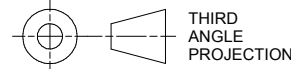
SIDE VIEW



FEATURES:

- 1) ALUMINUM GOAL FRAME AND BACKDROPS
- 2) FINISH: WHITE POWDER COAT
- 3) INCLUDED:
 - SEMI PERMANENT GROUND ANCHORS
 - 3 mm, BLACK & WHITE NET
 - KWIK LOCK NET CLIPS
- 4) ASSEMBLED GOAL WEIGHT: 195 LBS.
- 5) EXCEEDS:
 - NCAA SPECIFICATIONS
 - NFSHA SPECIFICATIONS
 - ASTM F2056-00 STANDARDS

Finish Info.



DIMENSIONS ARE IN INCHES
UNLESS OTHERWISE SPECIFIED

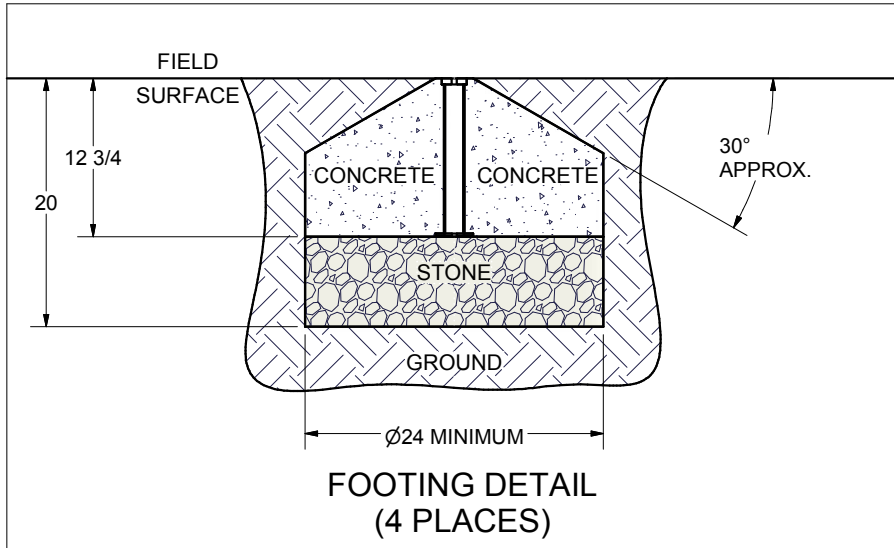
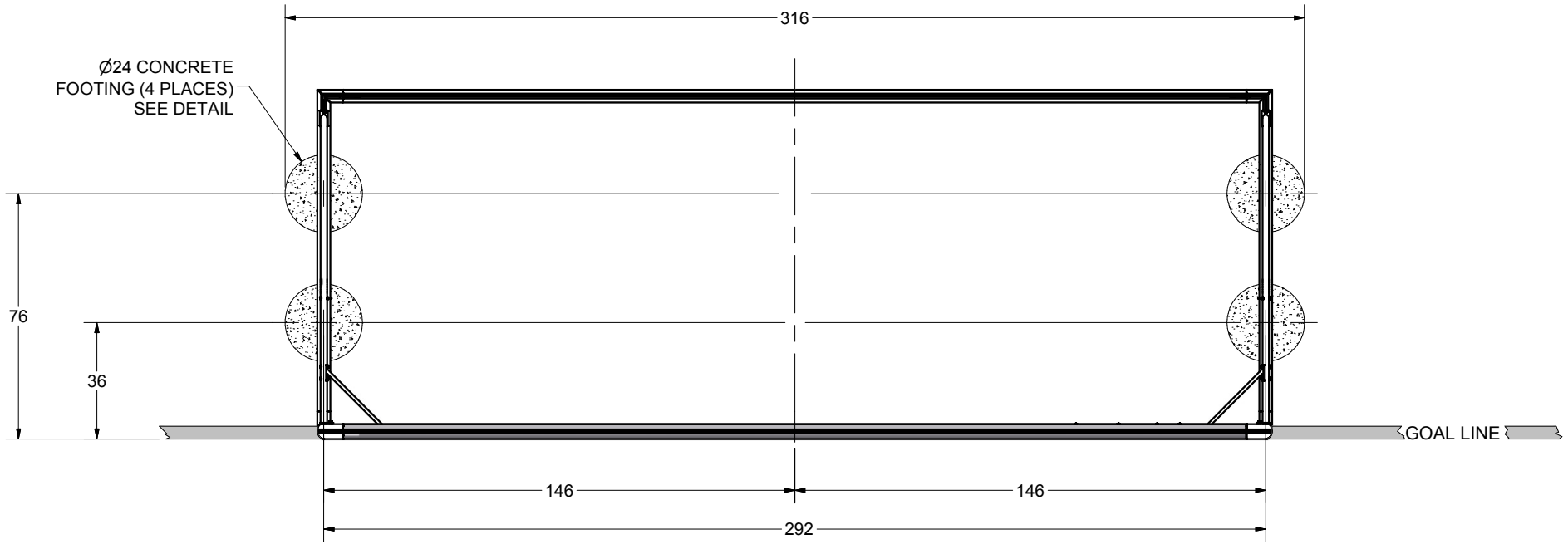
This item is the **exclusive**
property of **KWIK GOAL LTD.**
Reproduction or duplication
without the express written
consent of **KWIK GOAL LTD.**
is **strictly forbidden.**



Approved By:
Date:
Drawn By: CSpeck
Date: 6/20/2003
Sheet: 1 of 4
Revision #: 7
Cad File: 2B3306.idw

Part #:
2B3306
Desc:
8' x 24'
EVOLUTION 1.1 GOAL

OVERHEAD VIEW

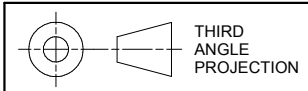


NOTES:

1) DIMENSIONS ARE FOR PLANNING PURPOSES. INSTALLATION MUST BE IN ACCORDANCE WITH INSTALLATION INSTRUCTIONS.

MATERIAL REQUIRED, BUT **NOT** SUPPLIED

- 0.5 cubic yard - CONCRETE
 - 0.3 cubic yard - CLEAN STONE (1/4" - 3/4")
- ABOVE AMOUNTS ARE PER GOAL INSTALLATION



KWIKGOAL® 140 Pacific Drive
Quakertown, Pa. 18951

DIMENSIONS ARE IN INCHES UNLESS OTHERWISE SPECIFIED

Approved By:
Date:

Part #:
2B3306

This item is the **exclusive** property of **KWIK GOAL LTD.** Reproduction or duplication **without** the express written consent of **KWIK GOAL LTD.** is **strictly forbidden.**

Drawn By: CSpeck
Date: 6/20/2003
Sheet: 2 of 4
Revision #: 7
Cad File: 2B3306.idw

Desc:
8' x 24'
EVOLUTION 1.1 GOAL

Finish Info.

NET
3mm HEX. BRAIDED KNOTLESS HTPP
5 1/2" MESH
8'H x 24'W x 3'D x 8'B
BLACK / WHITE

BACKDROP
TOP 3' DEEP
WITH NET CHANNEL
POWDER COATED WHITE

BACKDROP
TOP 3' DEEP
WITH NET CHANNEL
POWDER COATED WHITE

RIGHT BASE
WITH NET CHANNEL
POWDER COATED WHITE

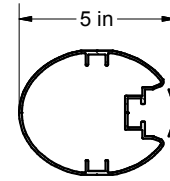
BACK BOTTOM BAR
WITH NET CHANNEL
POWDER COATED WHITE

RIGHT POST
WITH NET CHANNEL
POWDER COATED WHITE

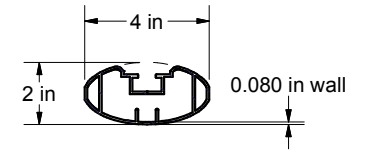
LEFT POST
WITH NET CHANNEL
POWDER COATED WHITE

LEFT BASE
WITH NET CHANNEL
POWDER COATED WHITE

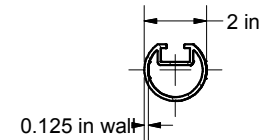
MATERIAL DETAILS



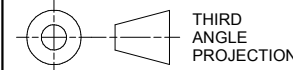
POSTS & RAIL
MATERIAL - ALUMINUM



BACK BOTTOM BAR & BASES
MATERIAL - ALUMINUM



BACKDROPS
MATERIAL - ALUMINUM



THIRD
ANGLE
PROJECTION

KWIKGOAL® 140 Pacific Drive
Quakertown,
Pa. 18951

DIMENSIONS ARE IN INCHES
UNLESS OTHERWISE SPECIFIED

Approved By:

Part #:

Date:

2B3306

This item is the **exclusive**
property of **KWIK GOAL LTD.**
Reproduction or duplication
without the express written
consent of **KWIK GOAL LTD.**
is **strictly forbidden.**

Drawn By: CSpeck

Date: 6/20/2003

Sheet: 3 of 4

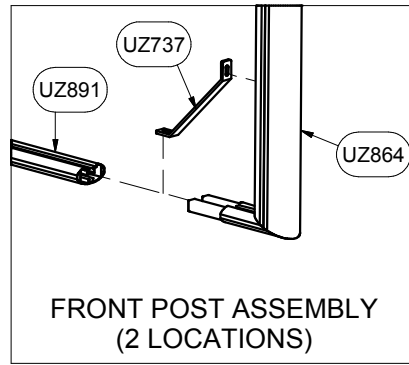
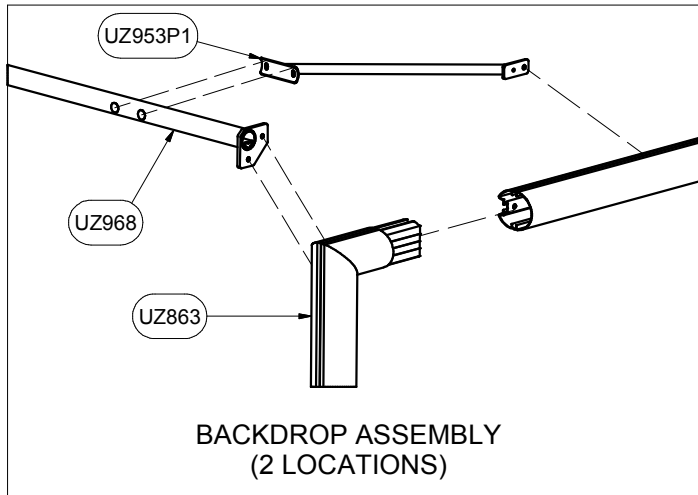
Revision #: 7

Cad File: 2B3306.idw

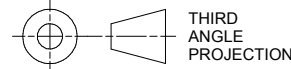
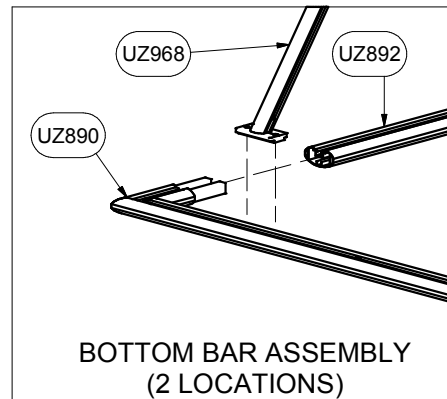
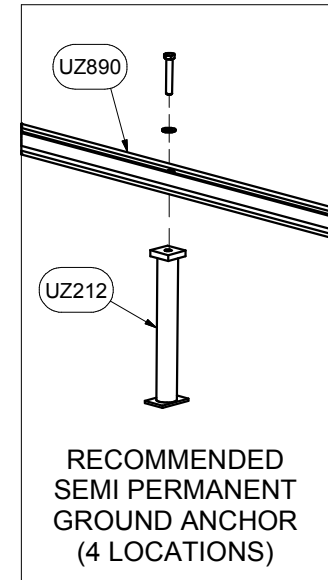
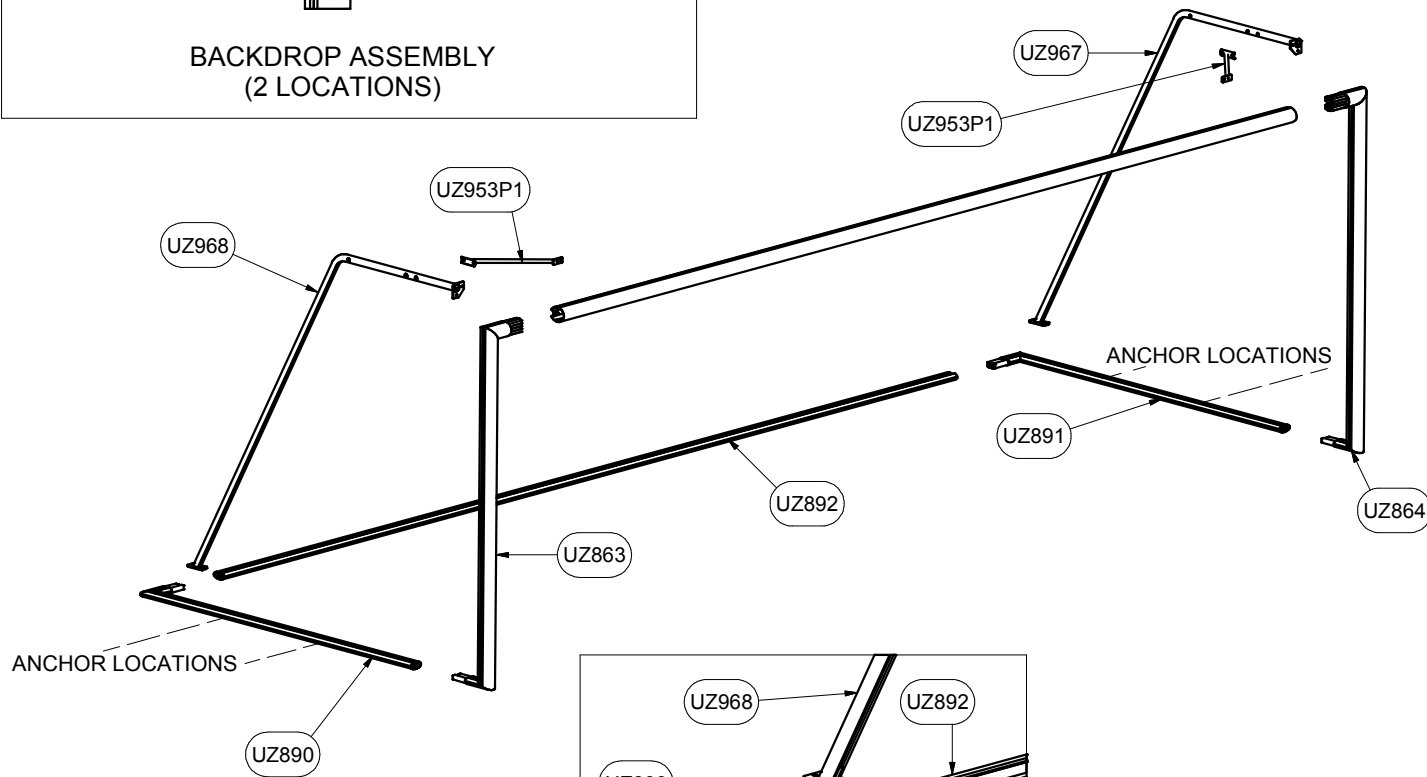
Desc:

8' x 24'
EVOLUTION 1.1 GOAL

Finish Info.



Parts List		
Part #	Qty	Description
UZ892	1	BACK BOTTOM BAR, 2B3306
UZ863	1	LEFT POST, 2B3306
UZ864	1	RIGHT POST, 2B3306
UZ891	1	RIGHT BASE, 2B3306
UZ890	1	LEFT BASE, 2B3306
UZ967	1	BACKDROP, EVOLUTION, RIGHT SIDE
UZ968	1	BACKDROP, EVOLUTION, LEFT SIDE
UZ212	4	GROUND ANCHOR ASSEMBLY
UZ953P1	2	BACKDROP BRACE
UZ737	2	Front Post Brace
3B2101	1	Hex Net, 3mm, Black/White
UZ932	1	RAIL, 2B3306



DIMENSIONS ARE IN INCHES
UNLESS OTHERWISE SPECIFIED

This item is the **exclusive** property of **KWIK GOAL LTD.** Reproduction or duplication **without** the express written consent of **KWIK GOAL LTD.** is **strictly forbidden.**



Approved By:

Date:

Drawn By: CSpeck

Date: 6/20/2003

Sheet: 4 of 4

Revision #: 7

Cad File: 2B3306.idw

Part #:
2B3306

Desc:
8' x 24'
EVOLUTION 1.1 GOAL

Finish Info.