



**IMPORTANT GOAL SAFETY INSTRUCTIONS**  
**READ CAREFULLY**

1. Check for structural integrity and proper connecting hardware before every use. Replace damaged or missing parts or fasteners immediately.
2. Safety/Warning labels must be clearly visible.
3. Securely anchor moveable soccer goals at ALL times.
4. Always instruct players, managers, coaches, trainers, teachers, maintenance workers and all other personnel who might come in contact with the goal, on the safe handling of and potential dangers associated with moveable soccer goals.
5. Always exercise extreme caution when moving goals and provide adequate manpower to move goals of varied sizes and weights. Moveable soccer goals should only be moved by authorized personnel.
6. NEVER allow anyone to climb on the net or goal framework.
7. Moveable soccer goals should only be used on LEVEL fields, NEVER on a slope or hill area.
8. Remove nets when goals are not in use.
9. Most tip-over injuries occur when goals are left unattended. Anchor or chain one goal to another or to nearby fence posts, dugouts, or any other similar sturdy fixture when not in use. If this is not practical, store moveable soccer goals in a place where children cannot have access to them.
10. Fully disassemble goals for seasonal storage.



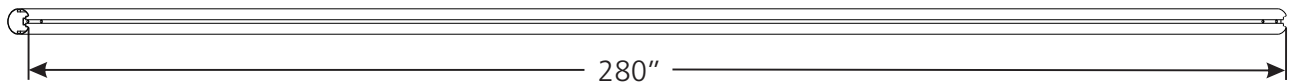
All Kwik Goal products carry a **Lifetime Guarantee**. For help with guarantee issues, visit [kwikgoal.com](http://kwikgoal.com) and click on the **Lifetime Guarantee** logo or contact customer service at 1-800-531-4252.

## ASSEMBLY INSTRUCTIONS FOR 2B3306 AND 2B3406 EVOLUTION GOALS

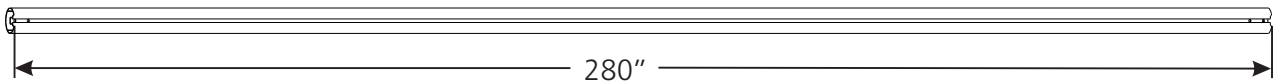
1. Unpack all parts and check for damage that may have occurred during shipping. If damage has occurred, notify trucking company immediately. Lay out all parts. Remove all cardboard and packaging immediately. Wet or damp packaging may damage contents.
2. Read through entire instruction before beginning assembly and installation.

### Parts - 2B3306 Evolution 1.1 (Elliptical)

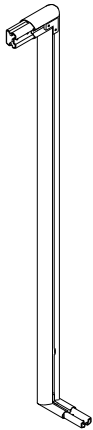
Rail (1)  
(Part# UZ932)



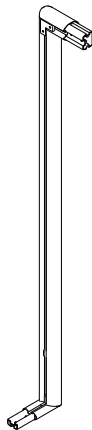
Back Bottom Bar (1)  
(Part# UZ892)



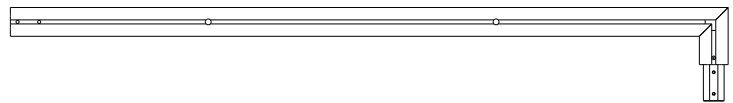
Left Post (1)  
(Part# UZ863)



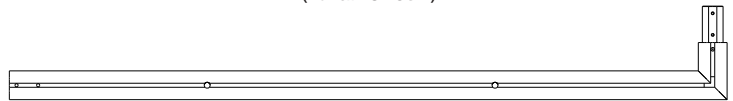
Right Post (1)  
(Part# UZ864)



Left Base (1)  
(Part# UZ890)



Right Base (1)  
(Part# UZ891)



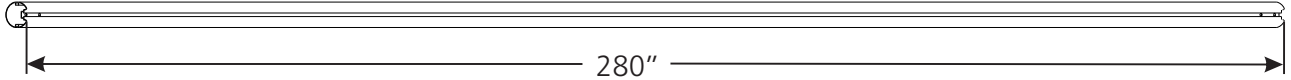
### **\*\*\*CAUTION\*\*\***

**This goal has been designed to be used for the game of soccer only. Goal posts must be anchored AT ALL TIMES and shall be secured against overturning. Do not climb on the net or goal framework at anytime! All fastenings must be checked to insure they are fully tightened before and after each use of this product. Goal posts not in use must be disassembled and properly stored in a safe, secure area. (See included Guidelines for Moveable Soccer Goal Safety.) Assembled goal posts should not be left unattended. Remove nets when goals are not in use. Do not use this equipment during the threat of high winds. Goal posts should be checked for safety before and after each use. All warning and safety labels included with this product must be visible at all times. Any modifications to this or any Kwik Goal product will void any and all warranties.**

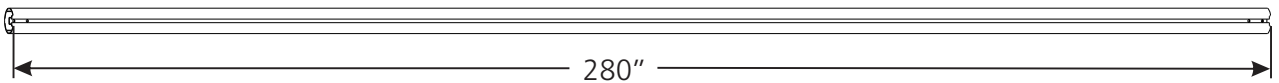
140 Pacific Drive Quakertown, PA 18951  
(P) 215-536-2200 / (P) 800-531-4252 / (F) 215-536-4309 / (F) 800-778-8869  
Visit our website @ [kwikgoal.com](http://kwikgoal.com)  
© 2005, Rev. 2011 Kwik Goal Ltd.

Parts - 2B3406 Evolution 2.1 (Round)

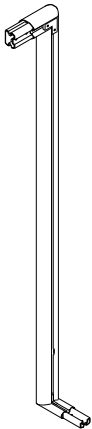
Rail (1)  
(Part# UZ965)



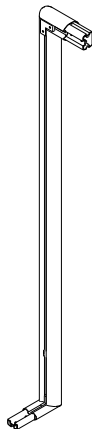
Back Bottom Bar (1)  
(Part# UZ966)



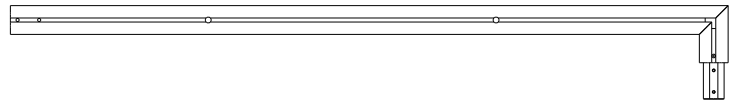
Left Post (1)  
(Part# UZ962)



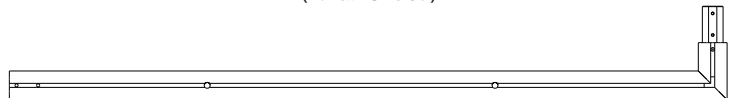
Right Post (1)  
(Part# UZ961)



Left Base (1)  
(Part# UZ964)



Right Base (1)  
(Part# UZ963)

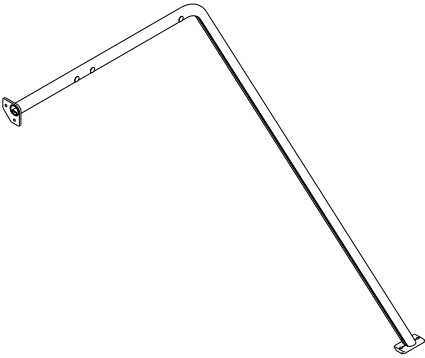


**\*\*\*CAUTION\*\*\***

This goal has been designed to be used for the game of soccer only. Goal posts must be anchored **AT ALL TIMES** and shall be secured against overturning. Do not climb on the net or goal framework at anytime! All fastenings must be checked to insure they are fully tightened before and after each use of this product. Goal posts not in use must be disassembled and properly stored in a safe, secure area. (See included Guidelines for Moveable Soccer Goal Safety.) Assembled goal posts should not be left unattended. Remove nets when goals are not in use. Do not use this equipment during the threat of high winds. Goal posts should be checked for safety before and after each use. All warning and safety labels included with this product must be visible at all times. Any modifications to this or any Kwik Goal product will void any and all warranties.

Parts - 2B3306 and 2B3406

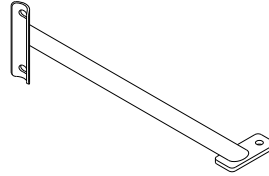
Right Backstay (1)  
(Part# UZ967)



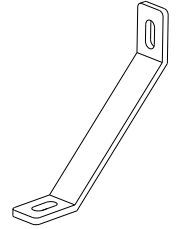
Ground Anchor (4)  
w/hardware  
(Part# UZ212)



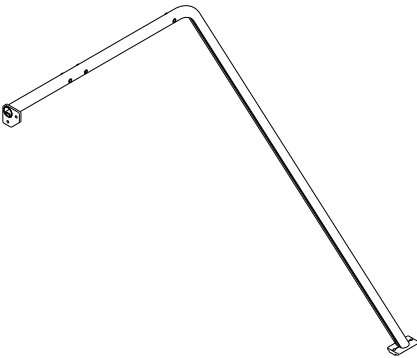
Backstay Brace (2)  
(Part# UZ953)



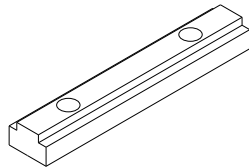
Post Brace (2)  
(Part# UZ737)



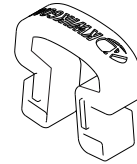
Left Backstay (1)  
(Part# UZ968)



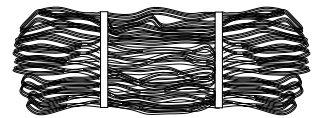
Channel Spacer (6)  
(Part# UZ812)



Net Clip (100)  
(Part# VZ116)



Net (1)  
(Part# 3B2101)



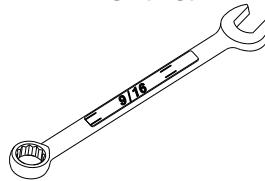
Hardware

Note: Hardware may be packaged separately in one or more boxes. Open all packages before beginning assembly.

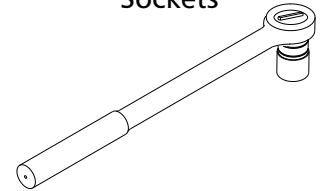
- |                                      |      |
|--------------------------------------|------|
| 3/8" x 1 1/2" Hex Bolt (Part# TZ106) | (12) |
| 3/8" x 1 1/4" Hex Bolt (Part# TZ59)  | (8)  |
| 3/8" x 7/8" Hex Bolt (Part# TZ249)   | (4)  |
| 3/8" Lock Washer (Part# TZ65)        | (24) |
| 3/8" Flat Washer (Part# TZ60)        | (24) |
| 3/8" Square Nut (Part# TZ247)        | (8)  |
| 5/16" x 1" Hex Bolt (Part# TZ121)    | (4)  |
| 5/16" Eyebolt (Part# TZ120)          | (2)  |
| 5/16" Flat Washer (Part# TZ269)      | (6)  |
| 5/16" Lock Washer (Part# TZ122)      | (4)  |

Assembly Tools

1/2", 9/16" & 3/4"  
Wrenches

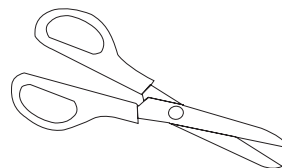


Ratchet with  
1/2", 9/16" & 3/4"  
Sockets



AND

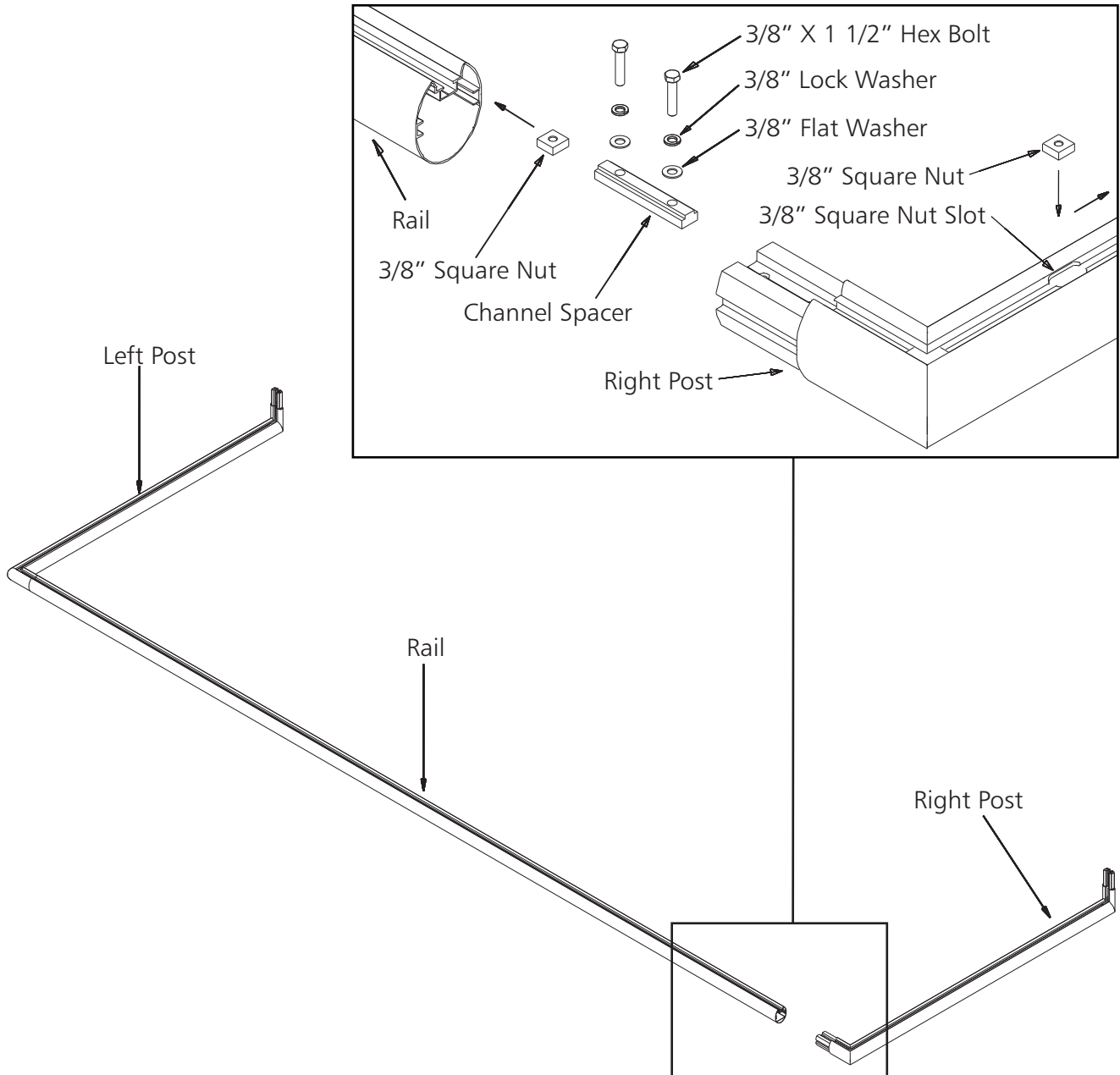
Scissors



**\*\*\*CAUTION\*\*\***

**This goal has been designed to be used for the game of soccer only. Goal posts must be anchored AT ALL TIMES and shall be secured against overturning. Do not climb on the net or goal framework at anytime! All fastenings must be checked to insure they are fully tightened before and after each use of this product. Goal posts not in use must be disassembled and properly stored in a safe, secure area. (See included Guidelines for Moveable Soccer Goal Safety.) Assembled goal posts should not be left unattended. Remove nets when goals are not in use. Do not use this equipment during the threat of high winds. Goal posts should be checked for safety before and after each use. All warning and safety labels included with this product must be visible at all times. Any modifications to this or any Kwik Goal product will void any and all warranties.**

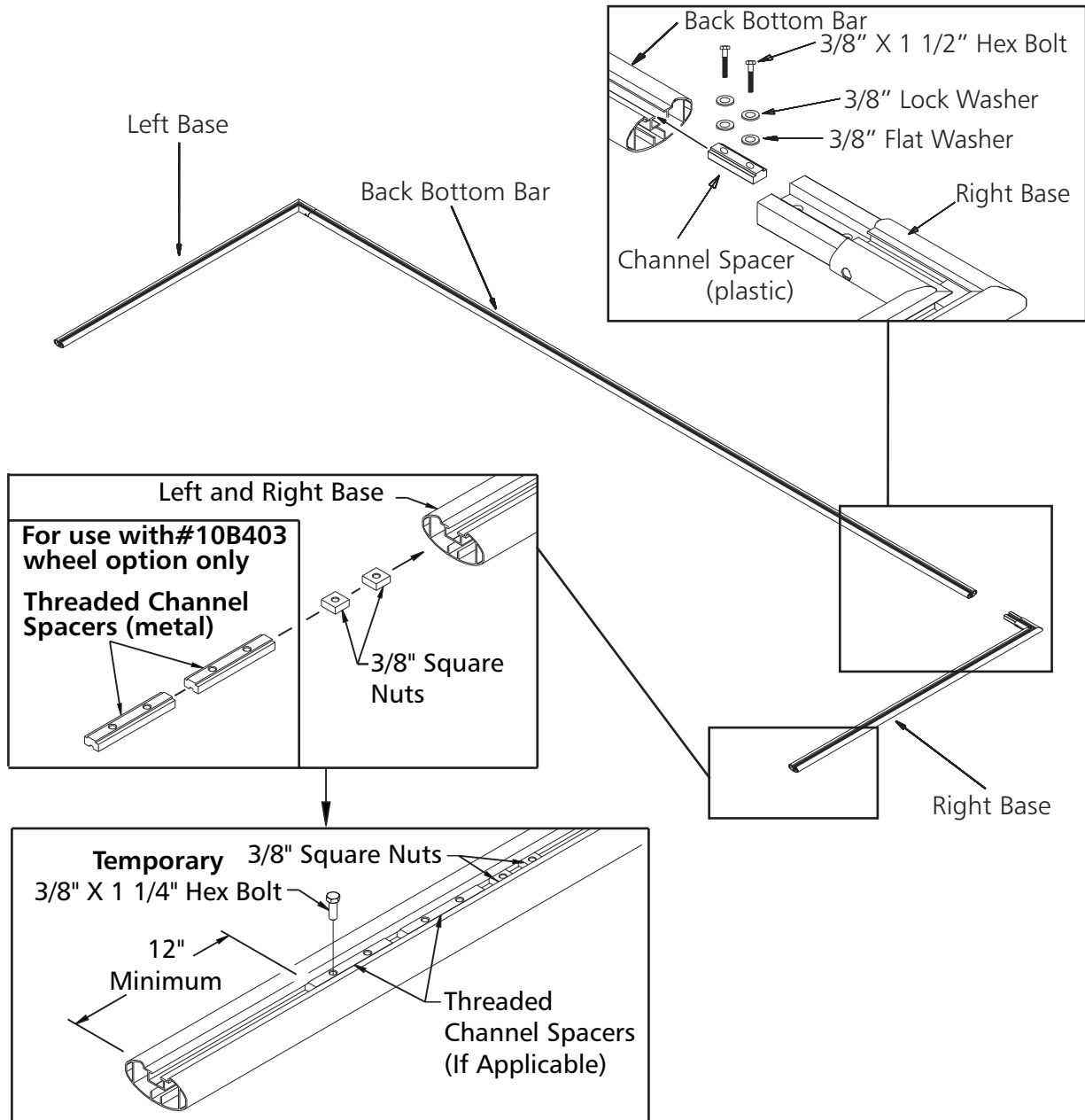
3. Attach left post and right post to top rail using channel spacers and 3/8" x 1 1/2" hex bolts. Note direction of decals on top rail before fastening. Place a 3/8" square nut in each side of the rail before inserting channel spacer. Be sure connections are pressed firmly together before tightening hex bolts.
4. Insert one 3/8" square nut in slot located in each of the assembled front posts.



**\*\*\*CAUTION\*\*\***

**This goal has been designed to be used for the game of soccer only. Goal posts must be anchored AT ALL TIMES and shall be secured against overturning. Do not climb on the net or goal framework at anytime! All fastenings must be checked to insure they are fully tightened before and after each use of this product. Goal posts not in use must be disassembled and properly stored in a safe, secure area. (See included Guidelines for Moveable Soccer Goal Safety.) Assembled goal posts should not be left unattended. Remove nets when goals are not in use. Do not use this equipment during the threat of high winds. Goal posts should be checked for safety before and after each use. All warning and safety labels included with this product must be visible at all times. Any modifications to this or any Kwik Goal product will void any and all warranties.**

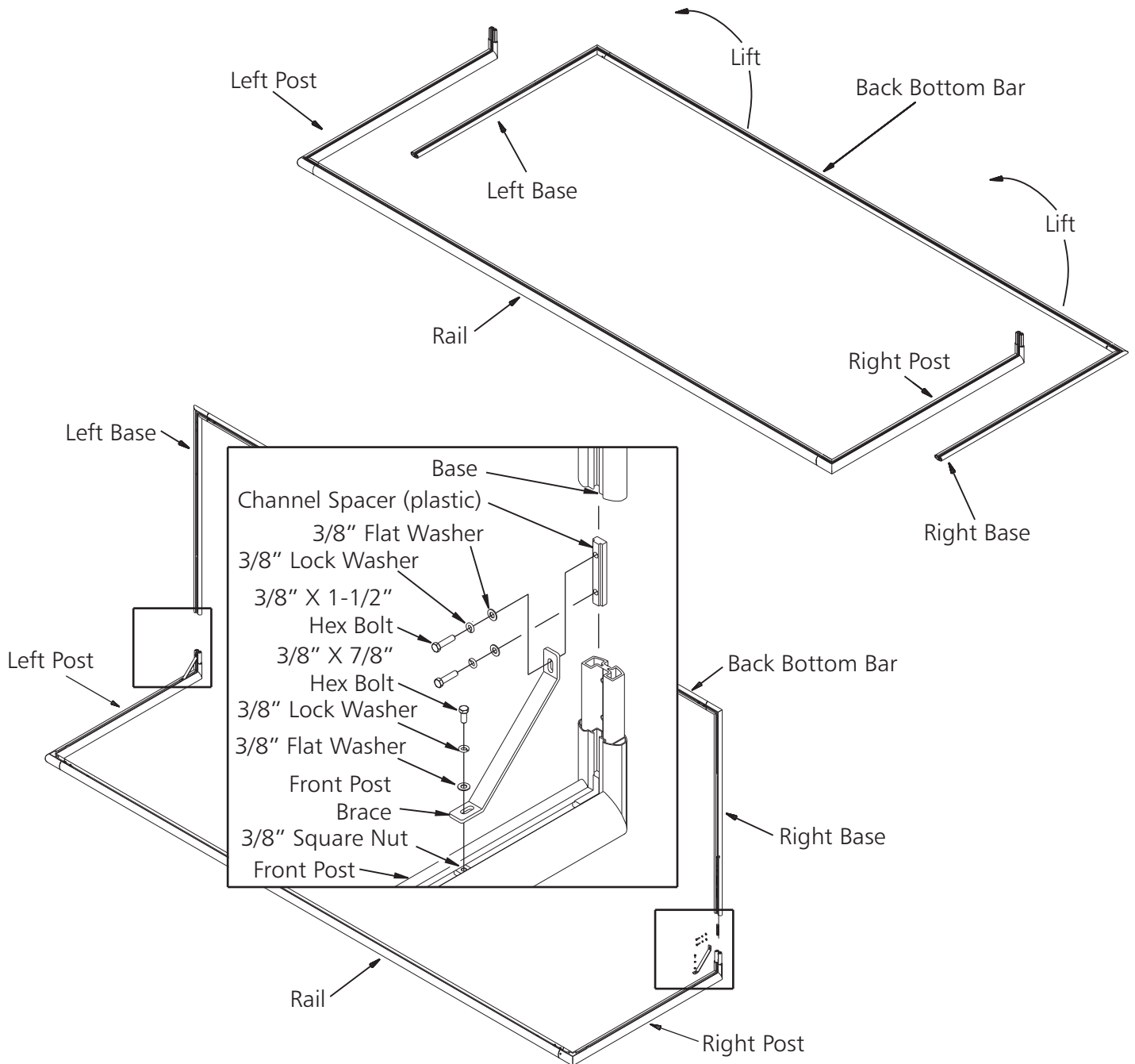
- Attach left base and right base to back bottom bar using channel spacers and 3/8" x 1 1/2" hex bolts. Note direction of decals on back bottom bar before fastening. Be sure connections are pressed firmly together before tightening hex bolts.
- Insert two 3/8" square nuts into left base and right base. **NOTE: If installing optional wheels (Part# 10B403), also include two threaded channel spacers from wheel option package in each base.** To prevent threaded channel spacers or square nuts from falling out during assembly, temporarily insert a 3/8" hex bolt in last threaded hole of the threaded channel spacer or square nut and finger tighten only.



**\*\*\*CAUTION\*\*\***

**This goal has been designed to be used for the game of soccer only. Goal posts must be anchored AT ALL TIMES and shall be secured against overturning. Do not climb on the net or goal framework at anytime! All fastenings must be checked to insure they are fully tightened before and after each use of this product. Goal posts not in use must be disassembled and properly stored in a safe, secure area. (See included Guidelines for Moveable Soccer Goal Safety.) Assembled goal posts should not be left unattended. Remove nets when goals are not in use. Do not use this equipment during the threat of high winds. Goal posts should be checked for safety before and after each use. All warning and safety labels included with this product must be visible at all times. Any modifications to this or any Kwik Goal product will void any and all warranties.**

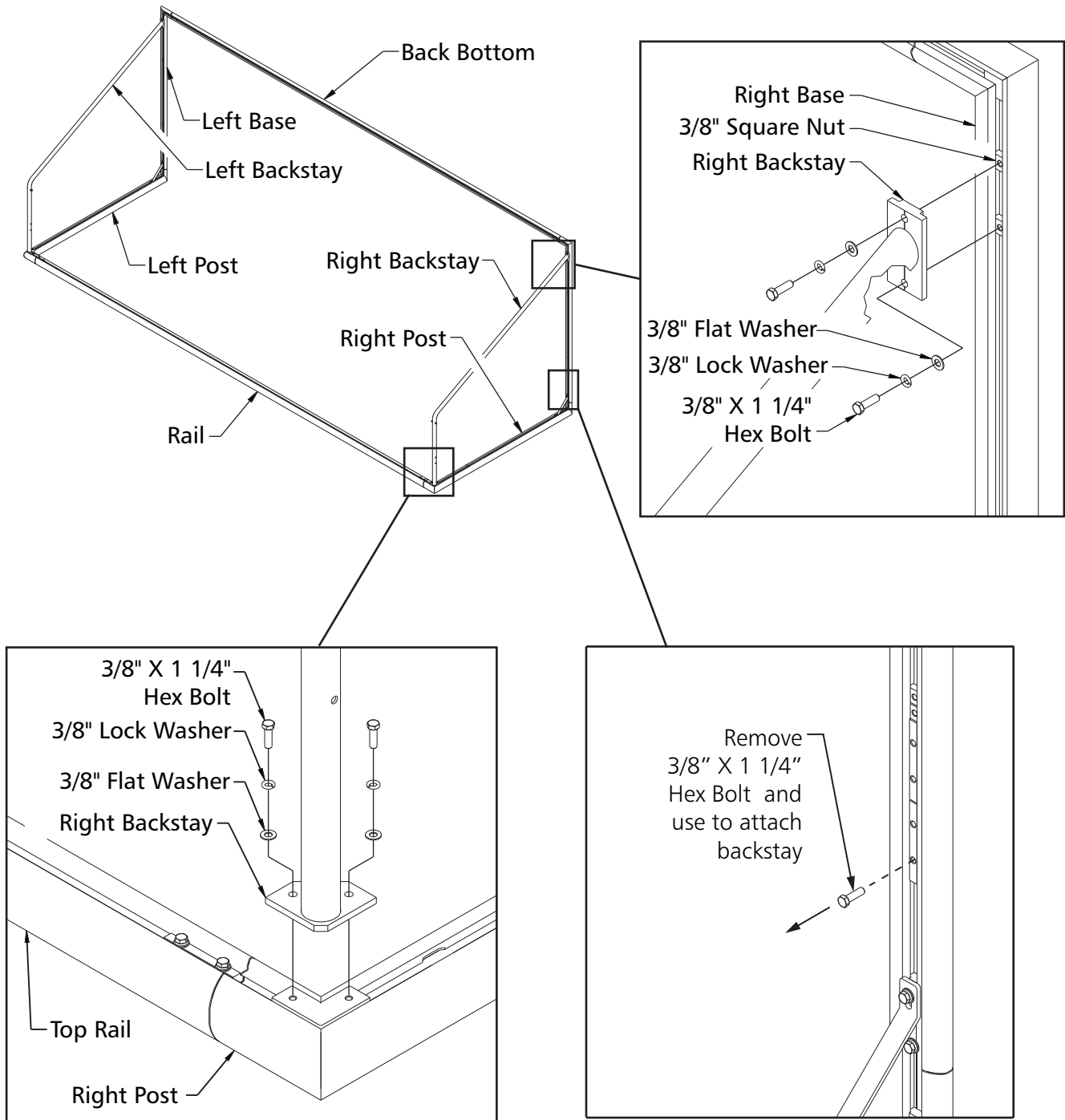
7. Lift and insert assembled bases into assembled posts. Fasten using channel spacers, front post braces, 3/8" hex bolts and 3/8" square nuts. Be sure connections are pressed firmly together before tightening hex bolts.



**\*\*\*CAUTION\*\*\***

**This goal has been designed to be used for the game of soccer only. Goal posts must be anchored AT ALL TIMES and shall be secured against overturning. Do not climb on the net or goal framework at anytime! All fastenings must be checked to insure they are fully tightened before and after each use of this product. Goal posts not in use must be disassembled and properly stored in a safe, secure area. (See included Guidelines for Moveable Soccer Goal Safety.) Assembled goal posts should not be left unattended. Remove nets when goals are not in use. Do not use this equipment during the threat of high winds. Goal posts should be checked for safety before and after each use. All warning and safety labels included with this product must be visible at all times. Any modifications to this or any Kwik Goal product will void any and all warranties.**

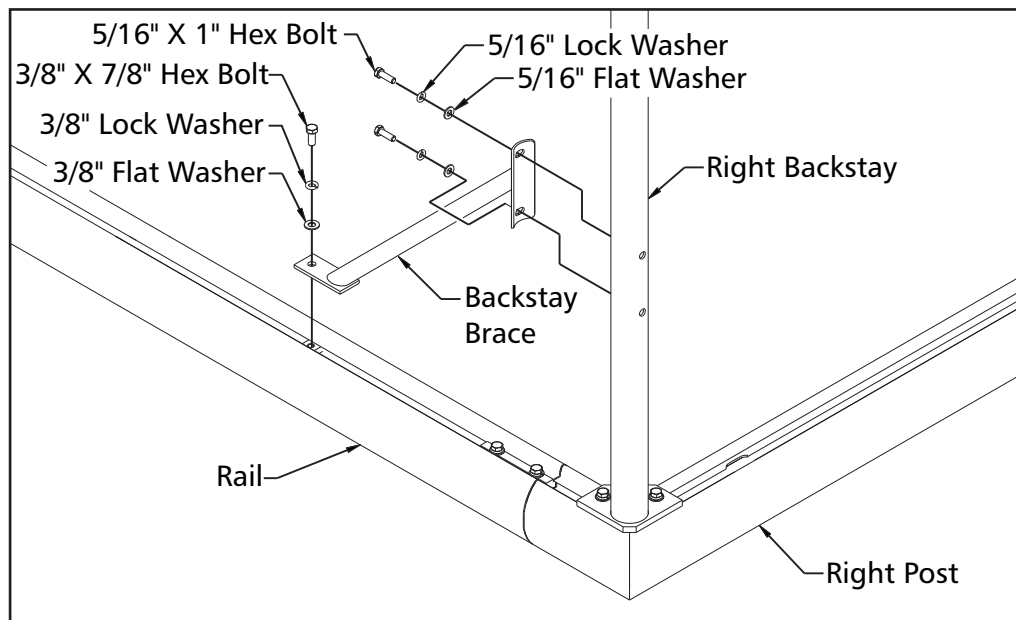
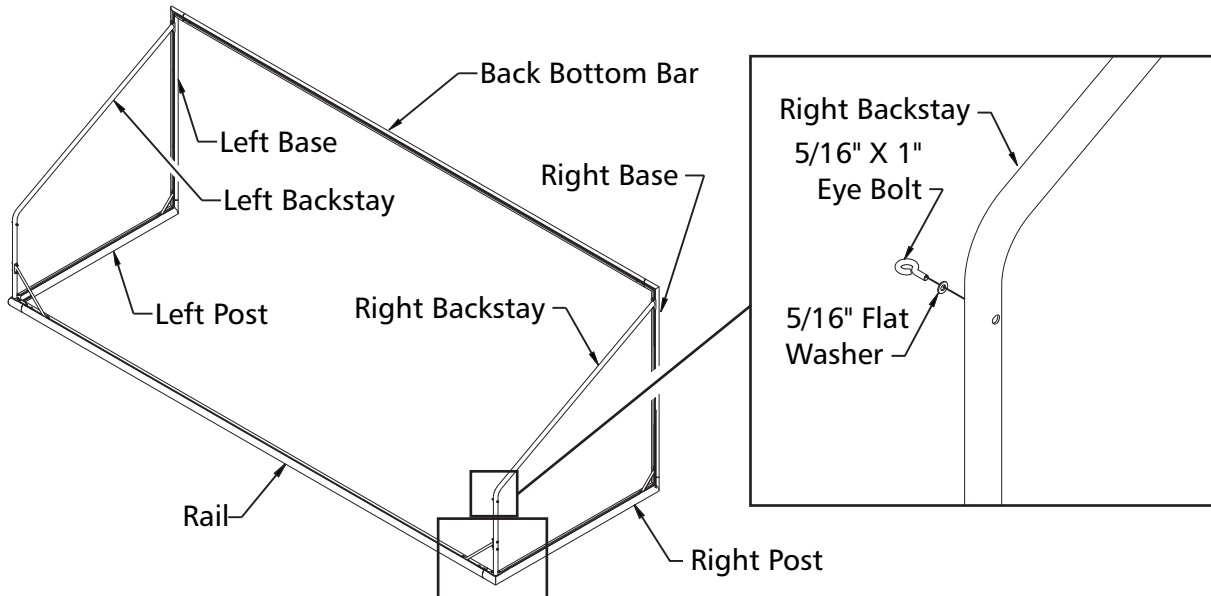
8. Remove 3/8" hex bolts used to temporarily secure fasteners to bases. Attach each backstay to goal using 3/8" x 1 1/4" hex bolts.



**\*\*\*CAUTION\*\*\***

**This goal has been designed to be used for the game of soccer only. Goal posts must be anchored AT ALL TIMES and shall be secured against overturning. Do not climb on the net or goal framework at anytime! All fastenings must be checked to insure they are fully tightened before and after each use of this product. Goal posts not in use must be disassembled and properly stored in a safe, secure area. (See included Guidelines for Moveable Soccer Goal Safety.) Assembled goal posts should not be left unattended. Remove nets when goals are not in use. Do not use this equipment during the threat of high winds. Goal posts should be checked for safety before and after each use. All warning and safety labels included with this product must be visible at all times. Any modifications to this or any Kwik Goal product will void any and all warranties.**

9. Attach backstay braces using 3/8" x 7/8" hex bolts, 3/8" square nuts and 5/16" x 1" hex bolts. Attach eye bolts to right backstay and left backstay.



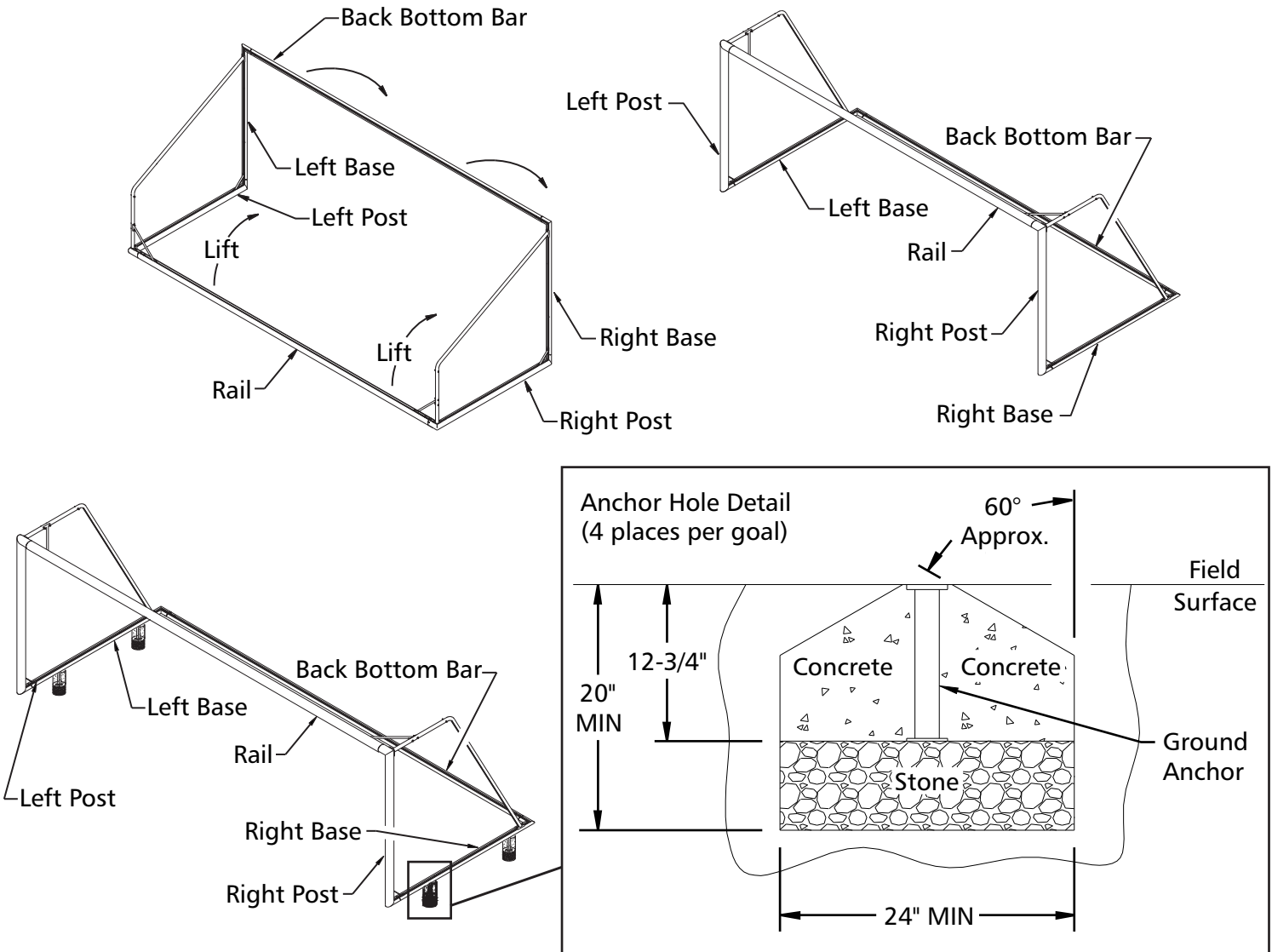
**\*\*\*CAUTION\*\*\***

**This goal has been designed to be used for the game of soccer only. Goal posts must be anchored AT ALL TIMES and shall be secured against overturning. Do not climb on the net or goal framework at anytime! All fastenings must be checked to insure they are fully tightened before and after each use of this product. Goal posts not in use must be disassembled and properly stored in a safe, secure area. (See included Guidelines for Moveable Soccer Goal Safety.) Assembled goal posts should not be left unattended. Remove nets when goals are not in use. Do not use this equipment during the threat of high winds. Goal posts should be checked for safety before and after each use. All warning and safety labels included with this product must be visible at all times. Any modifications to this or any Kwik Goal product will void any and all warranties.**

10. Turn goal upright onto its bases. Set goal in desired area and mark ground anchor hole location.
11. Move goal and dig holes a minimum of 24" in diameter and 20" deep. Areas subject to heavy ground frost may go as deep as 36".

**CAUTION: GOALS MUST BE PROPERLY ANCHORED OR STORED AT ALL TIMES.**

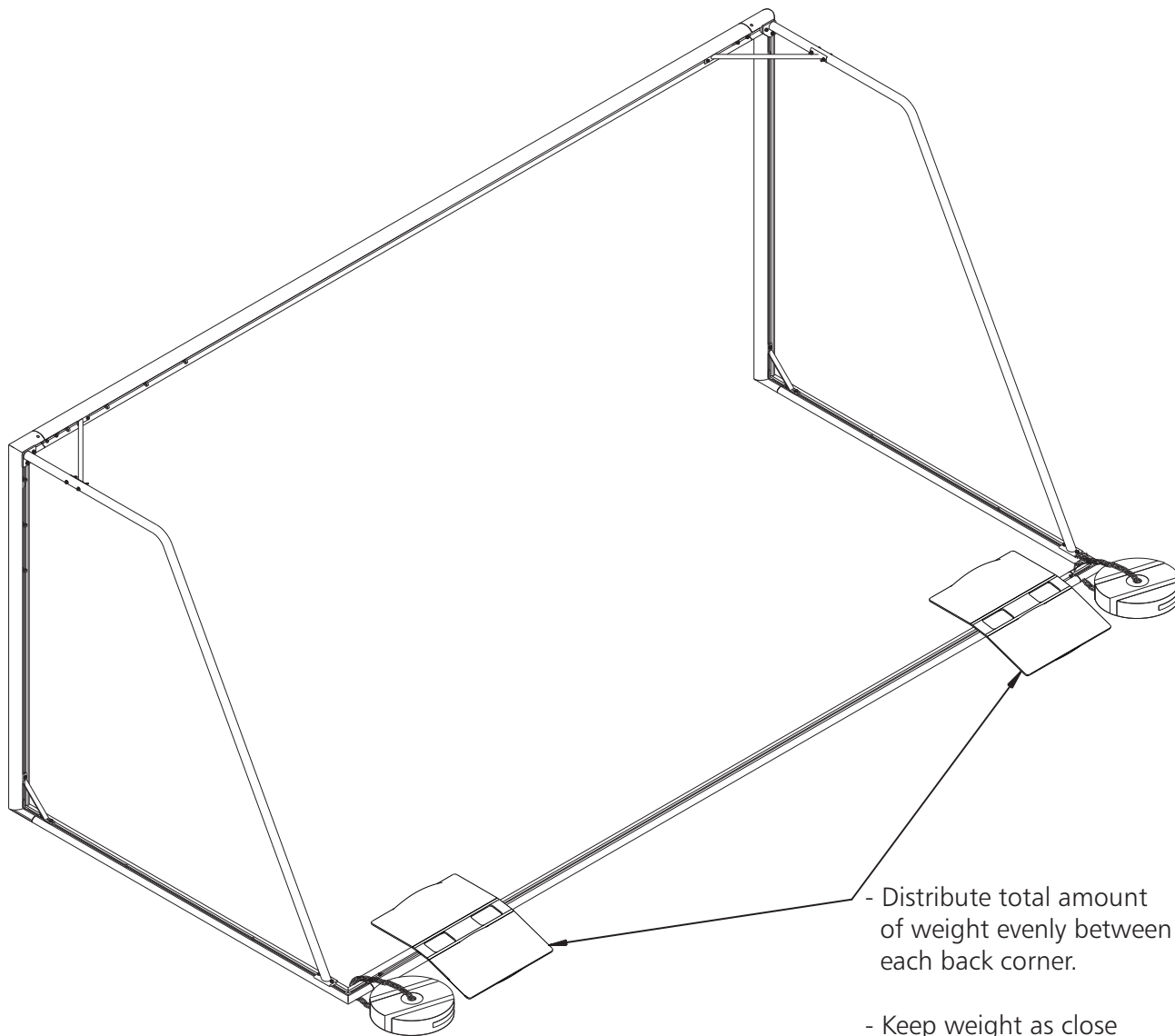
12. Apply anti-seize compound to ground anchor bolts prior to insertion. Attach ground anchors to assembled goal and secure with coated bolts. Set goal in desired installation location with anchors in holes, fill holes surrounding anchors with concrete.
13. At this time, be sure your goal is plumb and level to field surface.



**\*\*\*CAUTION\*\*\***

**This goal has been designed to be used for the game of soccer only. Goal posts must be anchored AT ALL TIMES and shall be secured against overturning. Do not climb on the net or goal framework at anytime! All fastenings must be checked to insure they are fully tightened before and after each use of this product. Goal posts not in use must be disassembled and properly stored in a safe, secure area. (See included Guidelines for Moveable Soccer Goal Safety.) Assembled goal posts should not be left unattended. Remove nets when goals are not in use. Do not use this equipment during the threat of high winds. Goal posts should be checked for safety before and after each use. All warning and safety labels included with this product must be visible at all times. Any modifications to this or any Kwik Goal product will void any and all warranties.**

14. If using counterbalance weights instead of ground anchors, a minimum of 170 lbs. Must be placed on the back bottom bar.



- Distribute total amount of weight evenly between each back corner.
- Keep weight as close to corners as possible.
- Always fasten weight to goal with straps or hardware.

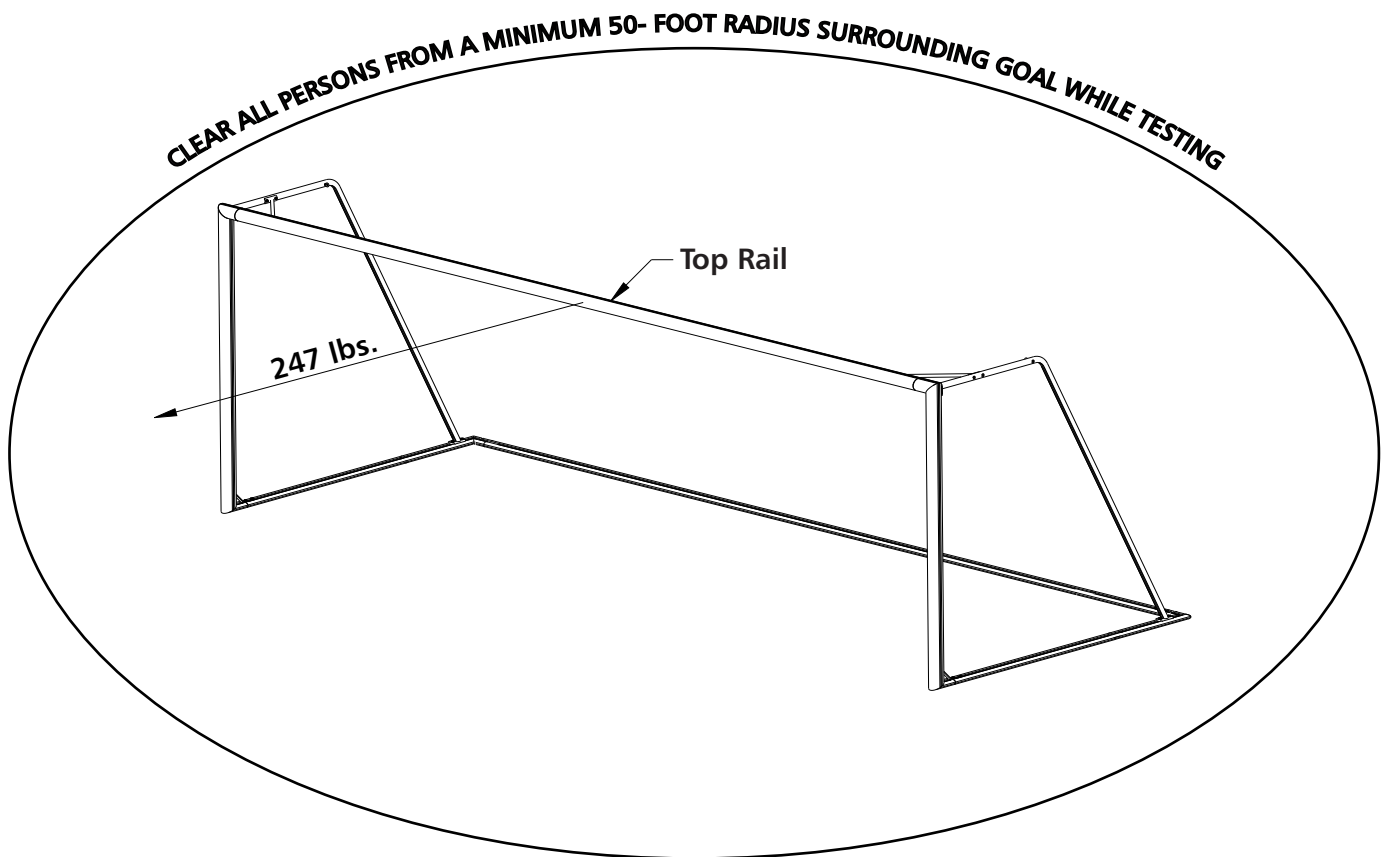
**\*\*\*CAUTION\*\*\***

**This goal has been designed to be used for the game of soccer only. Goal posts must be anchored AT ALL TIMES and shall be secured against overturning. Do not climb on the net or goal framework at anytime! All fastenings must be checked to insure they are fully tightened before and after each use of this product. Goal posts not in use must be disassembled and properly stored in a safe, secure area. (See included Guidelines for Moveable Soccer Goal Safety.) Assembled goal posts should not be left unattended. Remove nets when goals are not in use. Do not use this equipment during the threat of high winds. Goal posts should be checked for safety before and after each use. All warning and safety labels included with this product must be visible at all times. Any modifications to this or any Kwik Goal product will void any and all warranties.**

15. After concrete has fully cured, follow test procedures to assure that goal has been anchored properly.

### ANCHOR TEST

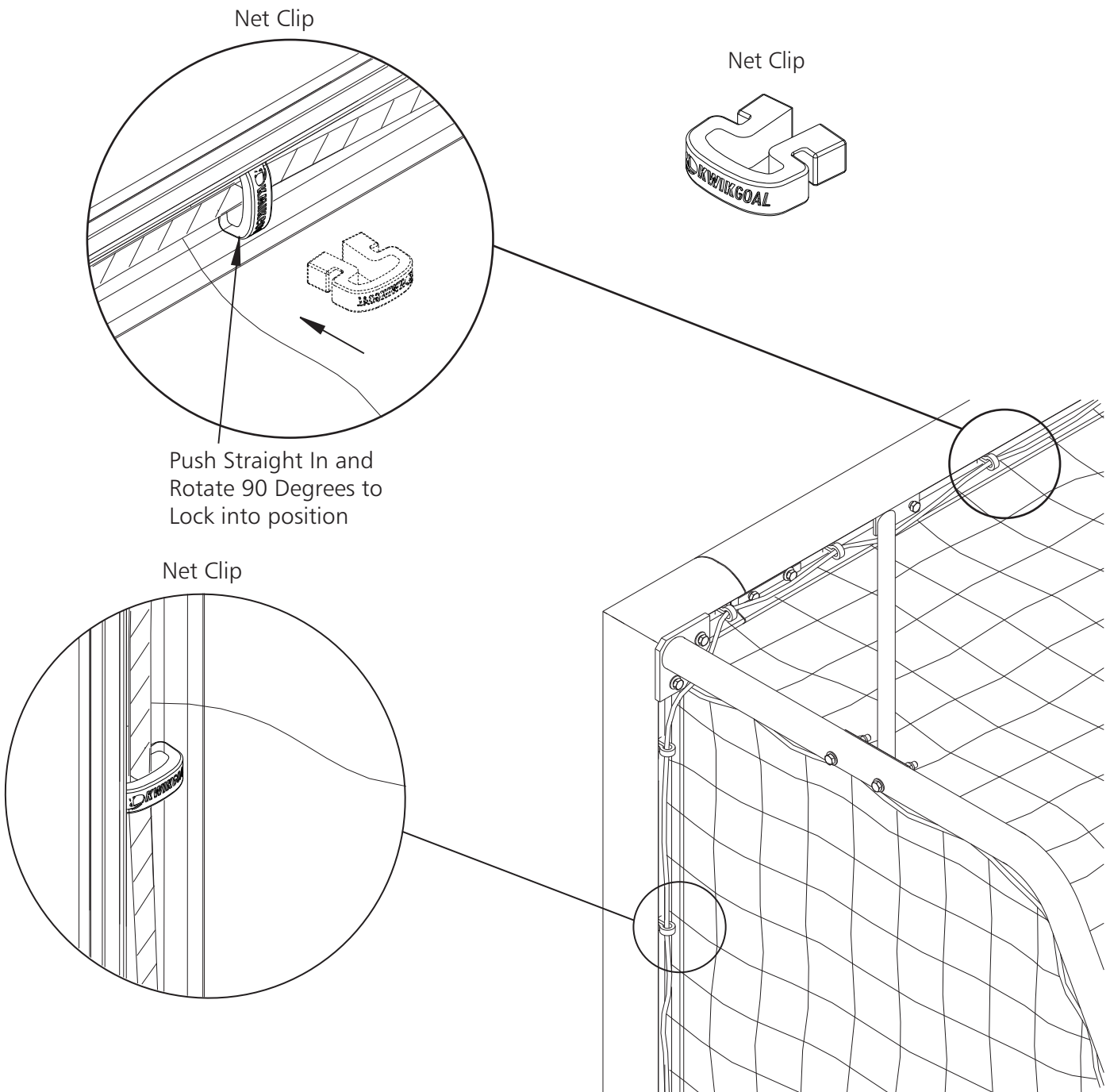
1. Clear all persons from a minimum 50 foot radius surrounding the goal.
2. Verify goal is attached to anchors according to instruction.
3. Apply a horizontal pull force of 247 lbs. to the center of the rail for 60 - 70 seconds. Full safety precautions must be taken while performing test.
4. If goal overturns during application of force or does not return to an upright position after removing force, an alternate anchoring system must be used



#### \*\*\*CAUTION\*\*\*

**This goal has been designed to be used for the game of soccer only. Goal posts must be anchored AT ALL TIMES and shall be secured against overturning. Do not climb on the net or goal framework at anytime! All fastenings must be checked to insure they are fully tightened before and after each use of this product. Goal posts not in use must be disassembled and properly stored in a safe, secure area. (See included Guidelines for Moveable Soccer Goal Safety.) Assembled goal posts should not be left unattended. Remove nets when goals are not in use. Do not use this equipment during the threat of high winds. Goal posts should be checked for safety before and after each use. All warning and safety labels included with this product must be visible at all times. Any modifications to this or any Kwik Goal product will void any and all warranties.**

16. Attach net using net clips.



**\*\*\*CAUTION\*\*\***

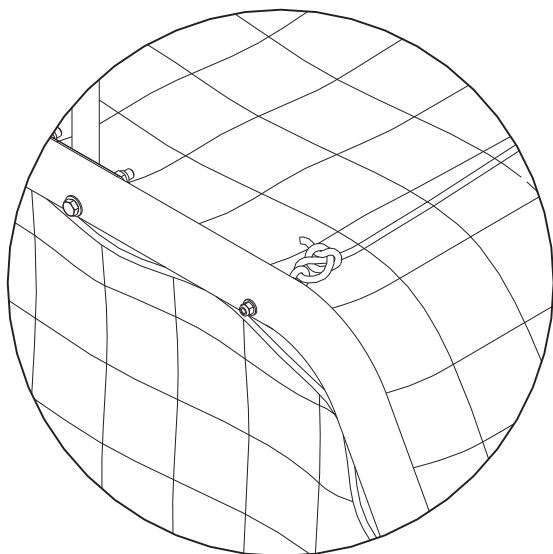
**This goal has been designed to be used for the game of soccer only. Goal posts must be anchored AT ALL TIMES and shall be secured against overturning. Do not climb on the net or goal framework at anytime! All fastenings must be checked to insure they are fully tightened before and after each use of this product. Goal posts not in use must be disassembled and properly stored in a safe, secure area. (See included Guidelines for Moveable Soccer Goal Safety.) Assembled goal posts should not be left unattended. Remove nets when goals are not in use. Do not use this equipment during the threat of high winds. Goal posts should be checked for safety before and after each use. All warning and safety labels included with this product must be visible at all times. Any modifications to this or any Kwik Goal product will void any and all warranties.**

17. Attach net rope to backstays following the steps below.

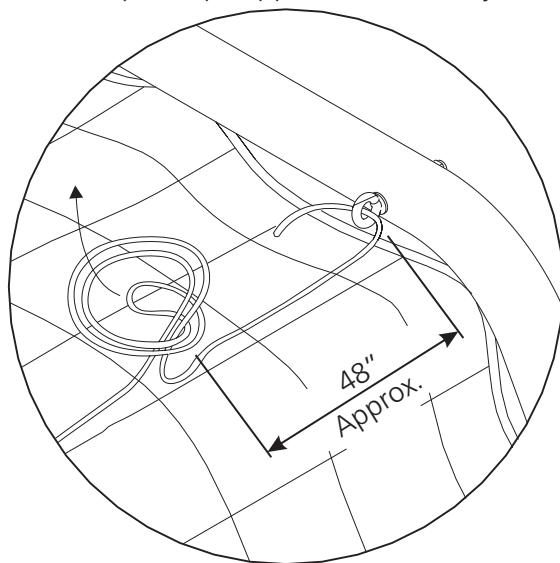
**IMPORTANT**

Net must be installed correctly if goal is to look and perform as designed.

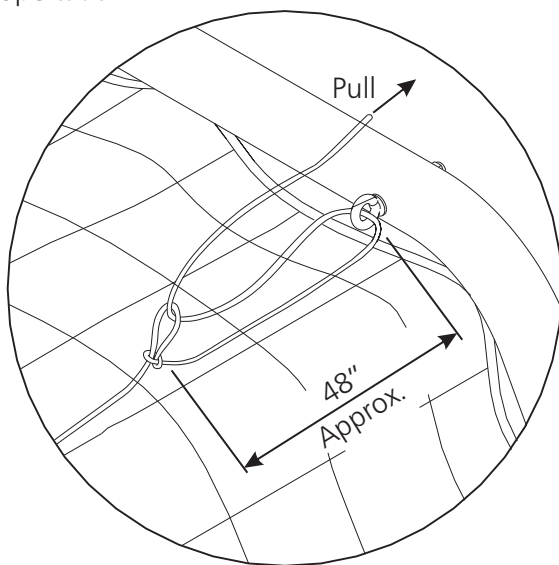
Step 1  
Tie rope to one eyebolt.



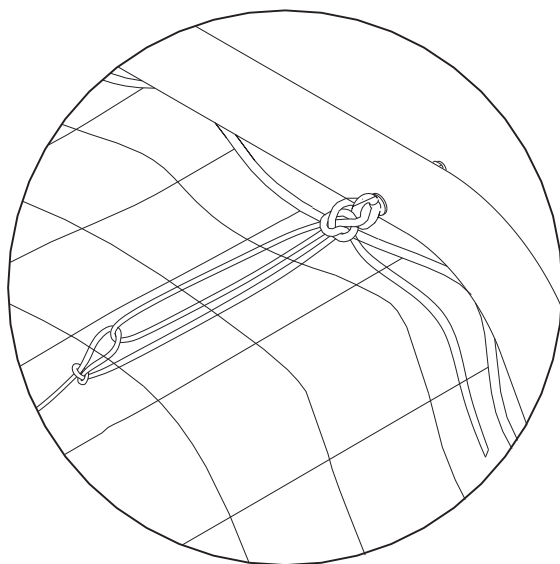
Step 2  
Run rope under net and thread loose end of rope through eyebolt. Tie loop in rope approx. 48" from eyebolt.



Step 3  
Thread loose end of rope through loop and pull net rope taut.



Step 4  
Tie loose end to eyebolt and weave extra loose rope through net.



**\*\*\*CAUTION\*\*\***

**This goal has been designed to be used for the game of soccer only. Goal posts must be anchored AT ALL TIMES and shall be secured against overturning. Do not climb on the net or goal framework at anytime! All fastenings must be checked to insure they are fully tightened before and after each use of this product. Goal posts not in use must be disassembled and properly stored in a safe, secure area. (See included Guidelines for Moveable Soccer Goal Safety.) Assembled goal posts should not be left unattended. Remove nets when goals are not in use. Do not use this equipment during the threat of high winds. Goal posts should be checked for safety before and after each use. All warning and safety labels included with this product must be visible at all times. Any modifications to this or any Kwik Goal product will void any and all warranties.**

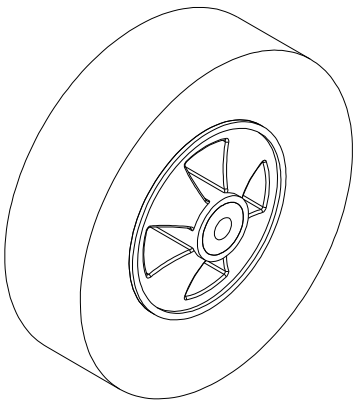


All Kwik Goal products carry a **Lifetime Guarantee**. For help with guarantee issues, visit [kwikgoal.com](http://kwikgoal.com) and click on the **Lifetime Guarantee** logo or contact customer service at 1-800-531-4252.

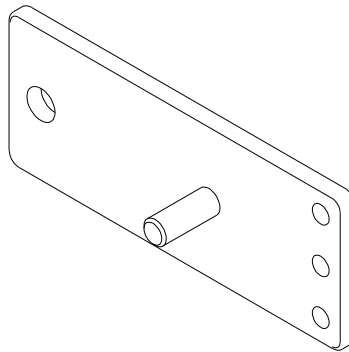
## ASSEMBLY INSTRUCTIONS FOR 10B403 (WHEEL OPTION FOR EVOLUTION GOALS)

1. Unpack all parts and check for damage that may have occurred during shipping. If damage has occurred, notify trucking company immediately. Lay out all parts. Remove all cardboard and packaging immediately. Wet or damp packaging may damage contents.
2. Read through entire instruction before beginning assembly and installation.

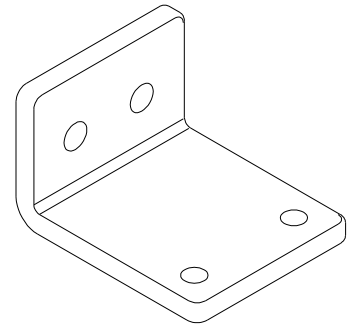
Tire and Wheel Assembly (4)  
(Part# VZ349)



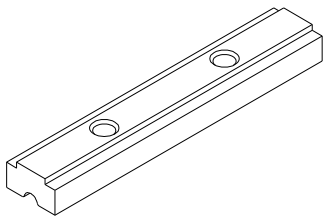
Stop Plate (4)  
(Part# UZ1254)



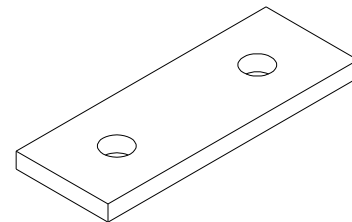
Mounting Bracket (4)  
(Part# UZ659)



Threaded Channel Spacer (4)  
(Part# UZ691)



Wheel Mount Spacer (4)  
(Part# UZ903)



### \*\*\*CAUTION\*\*\*

**This goal has been designed to be used for the game of soccer only. Goal posts must be anchored AT ALL TIMES and shall be secured against tilting. Do not climb on the net or goal framework at anytime! All fastenings must be checked to insure they are fully tightened before and after each use of this product. Goal posts not in use must be disassembled and properly stored in a safe, secure area. (See Guidelines for Moveable Soccer Goal Safety, included.) Assembled goal posts should not be left unattended. Remove nets when goals are not in use. Do not use this equipment during the threat of high winds. Goal posts should be checked for safety before and after each use. All warning and safety labels included with this product must be visible at all times. Any modifications to this or any Kwik Goal product will void any and all warranties.**

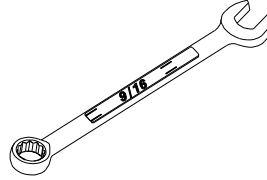
## Hardware

Note: Hardware may be packaged separately in one or more boxes. Open all packages before beginning assembly.

3/8" x 1 1/4" Hex Bolt (Part# TZ59)	(8)
3/8" x 3/4" Socket Head Capscrew (Part# TZ208)	(4)
3/8" Lock Washer (Part# TZ65)	(8)
3/8" Flat Washer (Part# TZ60)	(8)
3/8" Lock Nut (Part# TZ197)	(4)
1/2" Flat Washer (Part# TZ297)	(4)
1/2" Lock Nut (Part# TZ28)	(4)
5/8" x 3 3/4" Hex Bolt (Part# TZ124)	(4)
5/8" Lock Nut (Part# TZ110)	(4)
5/8" Jam Nut (Part# TZ108)	(4)
Large Nylon Washer (Part# TZ204)	(4)
Anti-Seize (Part# VZ327)	(1)

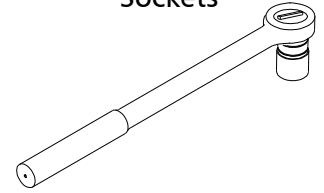
## Assembly Tools

9/16", 3/4" & 15/16" Wrenches

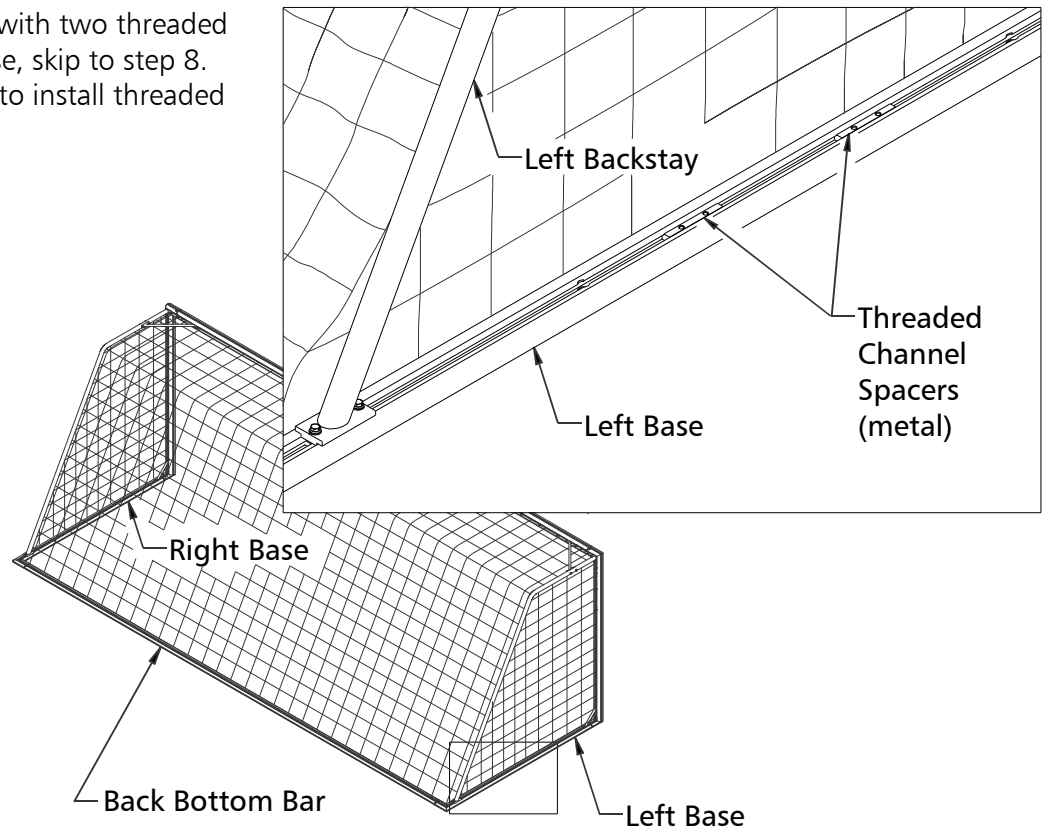


AND

Ratchet with 9/16", 3/4" & 15/16" Sockets



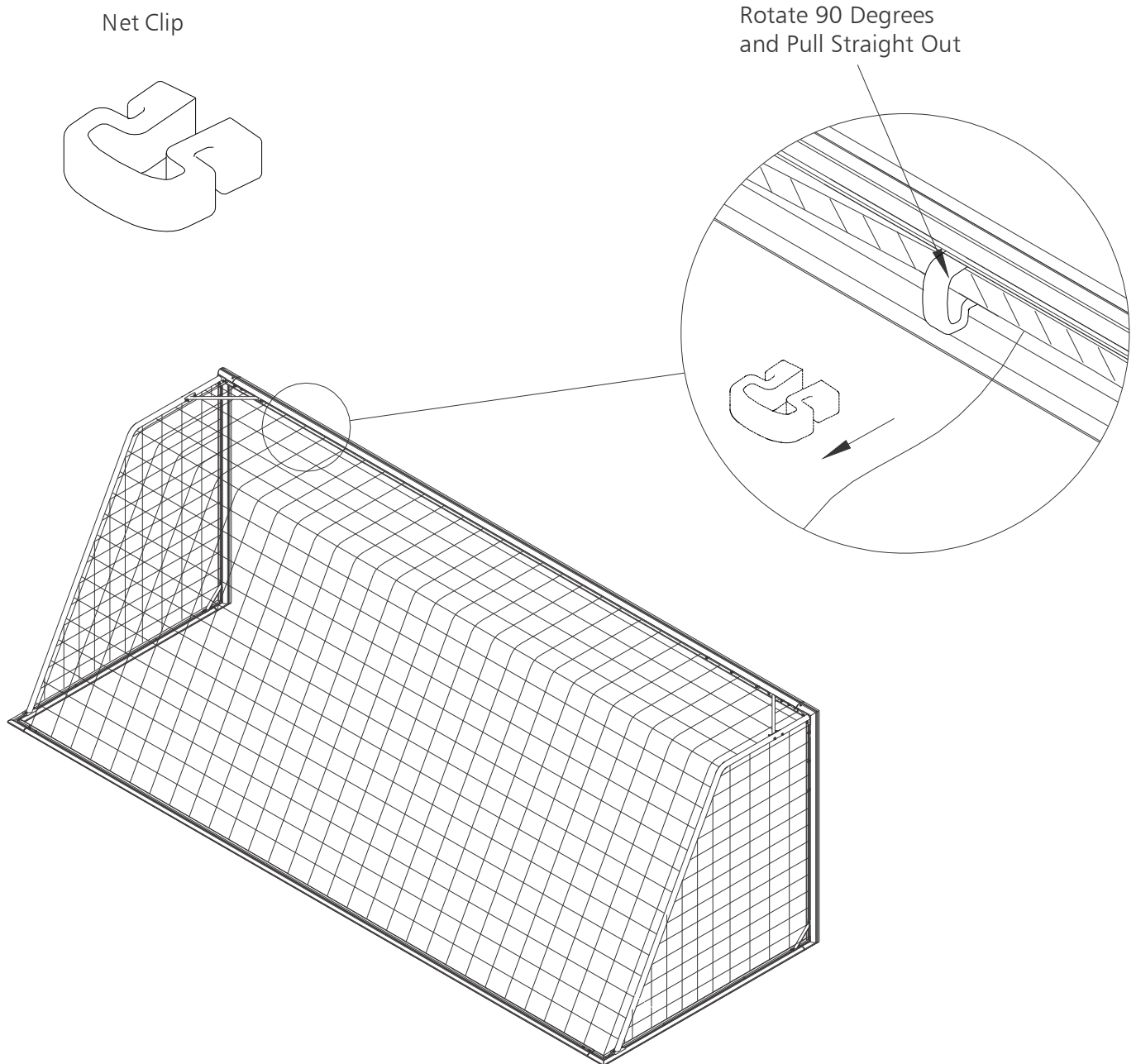
3. If goal has been assembled with two threaded channel spacers in each base, skip to step 8. If not continue with step 4 to install threaded channel spacers.



### \*\*\*CAUTION\*\*\*

**This goal has been designed to be used for the game of soccer only. Goal posts must be anchored AT ALL TIMES and shall be secured against tilting. Do not climb on the net or goal framework at anytime! All fastenings must be checked to insure they are fully tightened before and after each use of this product. Goal posts not in use must be disassembled and properly stored in a safe, secure area. (See Guidelines for Moveable Soccer Goal Safety, included.) Assembled goal posts should not be left unattended. Remove nets when goals are not in use. Do not use this equipment during the threat of high winds. Goal posts should be checked for safety before and after each use. All warning and safety labels included with this product must be visible at all times. Any modifications to this or any Kwik Goal product will void any and all warranties.**

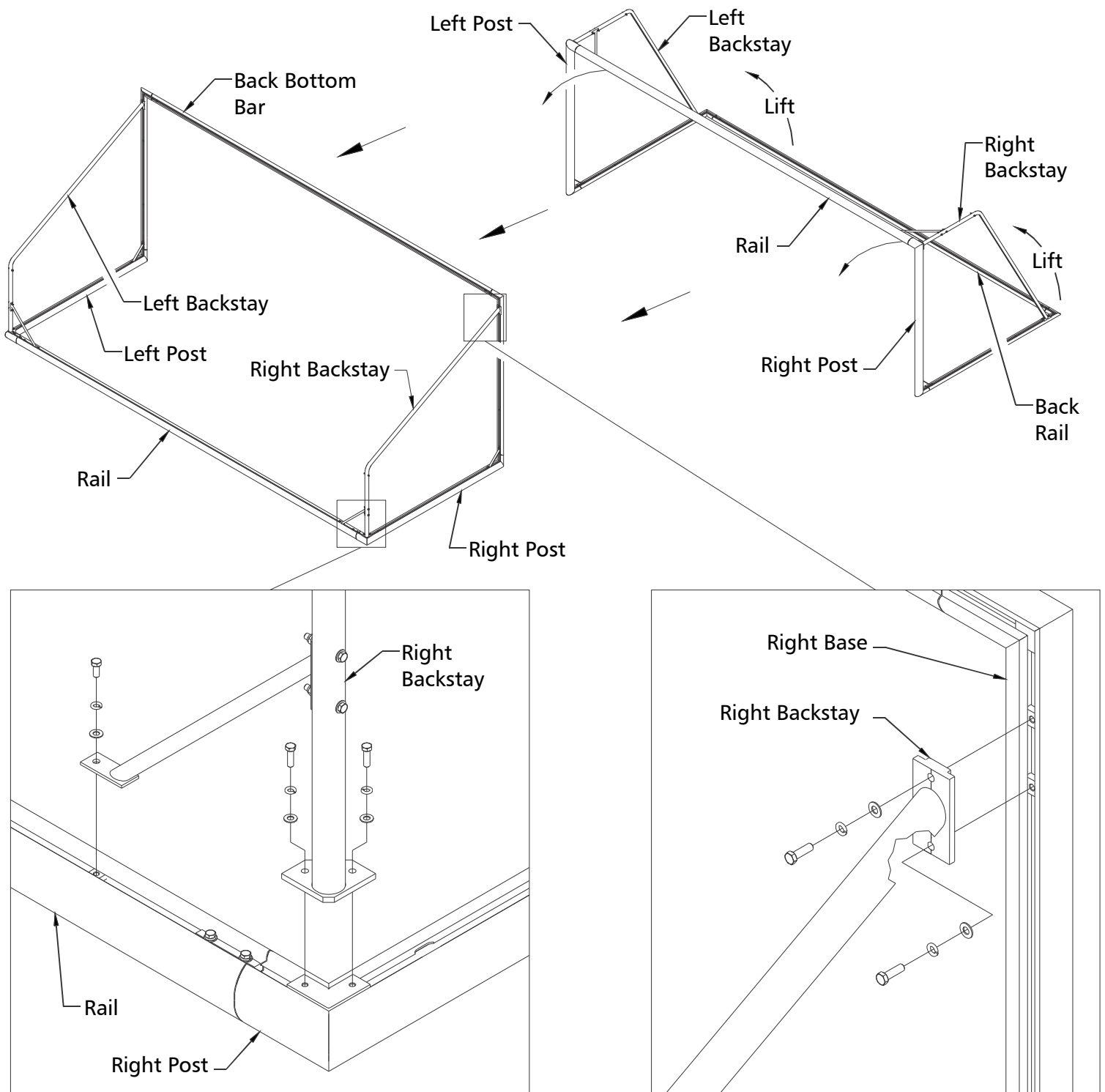
4. Remove net.



**\*\*\*CAUTION\*\*\***

**This goal has been designed to be used for the game of soccer only. Goal posts must be anchored AT ALL TIMES and shall be secured against tilting. Do not climb on the net or goal framework at anytime! All fastenings must be checked to insure they are fully tightened before and after each use of this product. Goal posts not in use must be disassembled and properly stored in a safe, secure area. (See Guidelines for Moveable Soccer Goal Safety, included.) Assembled goal posts should not be left unattended. Remove nets when goals are not in use. Do not use this equipment during the threat of high winds. Goal posts should be checked for safety before and after each use. All warning and safety labels included with this product must be visible at all times. Any modifications to this or any Kwik Goal product will void any and all warranties.**

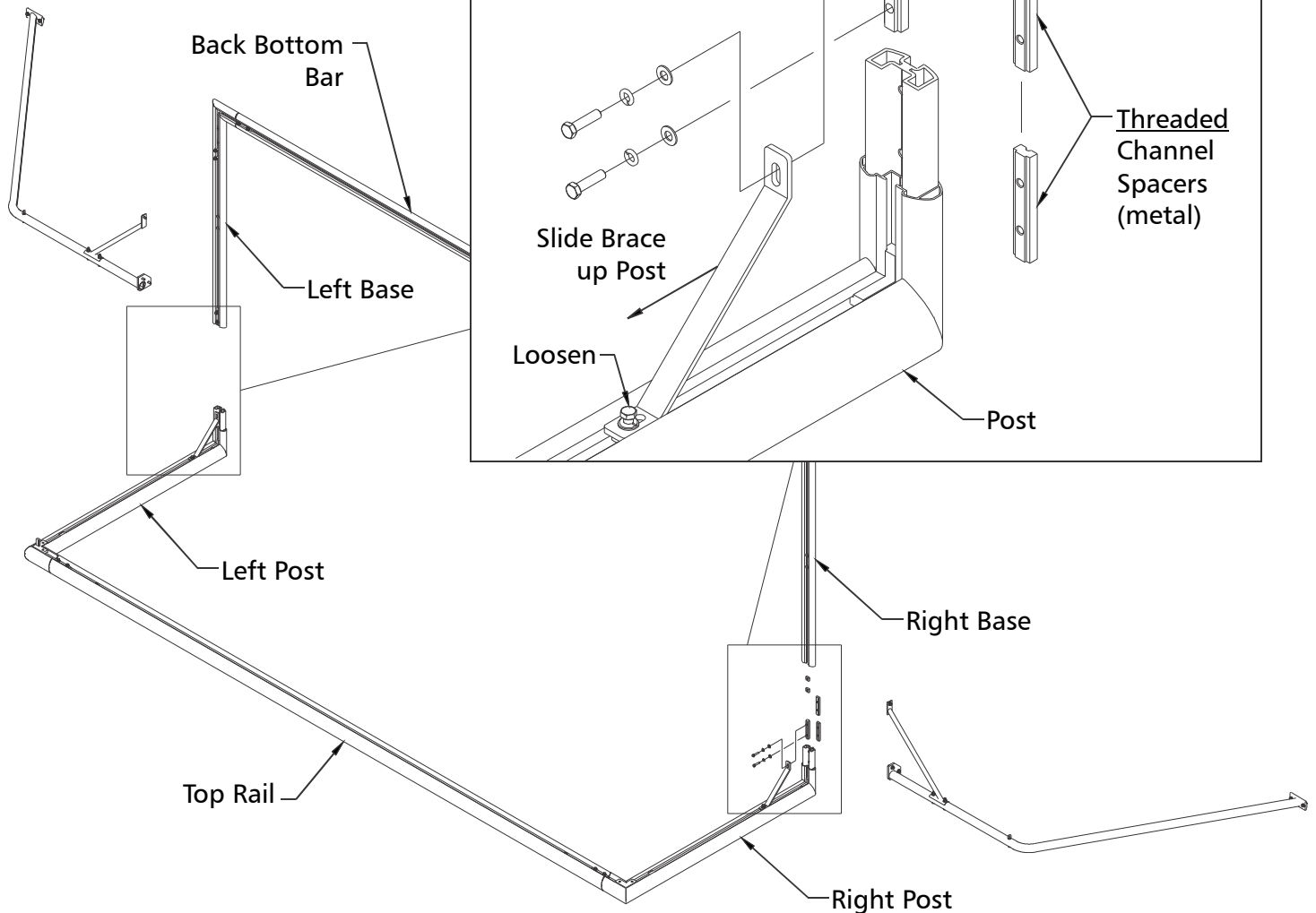
5. Turn goal onto the posts and remove left and right backstays.



**\*\*\*CAUTION\*\*\***

**This goal has been designed to be used for the game of soccer only. Goal posts must be anchored AT ALL TIMES and shall be secured against tilting. Do not climb on the net or goal framework at anytime! All fastenings must be checked to insure they are fully tightened before and after each use of this product. Goal posts not in use must be disassembled and properly stored in a safe, secure area. (See Guidelines for Moveable Soccer Goal Safety, included.) Assembled goal posts should not be left unattended. Remove nets when goals are not in use. Do not use this equipment during the threat of high winds. Goal posts should be checked for safety before and after each use. All warning and safety labels included with this product must be visible at all times. Any modifications to this or any Kwik Goal product will void any and all warranties.**

6. Remove left and right bases from posts and insert two threaded channel spacers into each base. Be sure both square nuts remain in bases.
7. Re-assemble bases, post braces and backstays. See step 5. Replace any worn or damaged hardware prior to assembly.

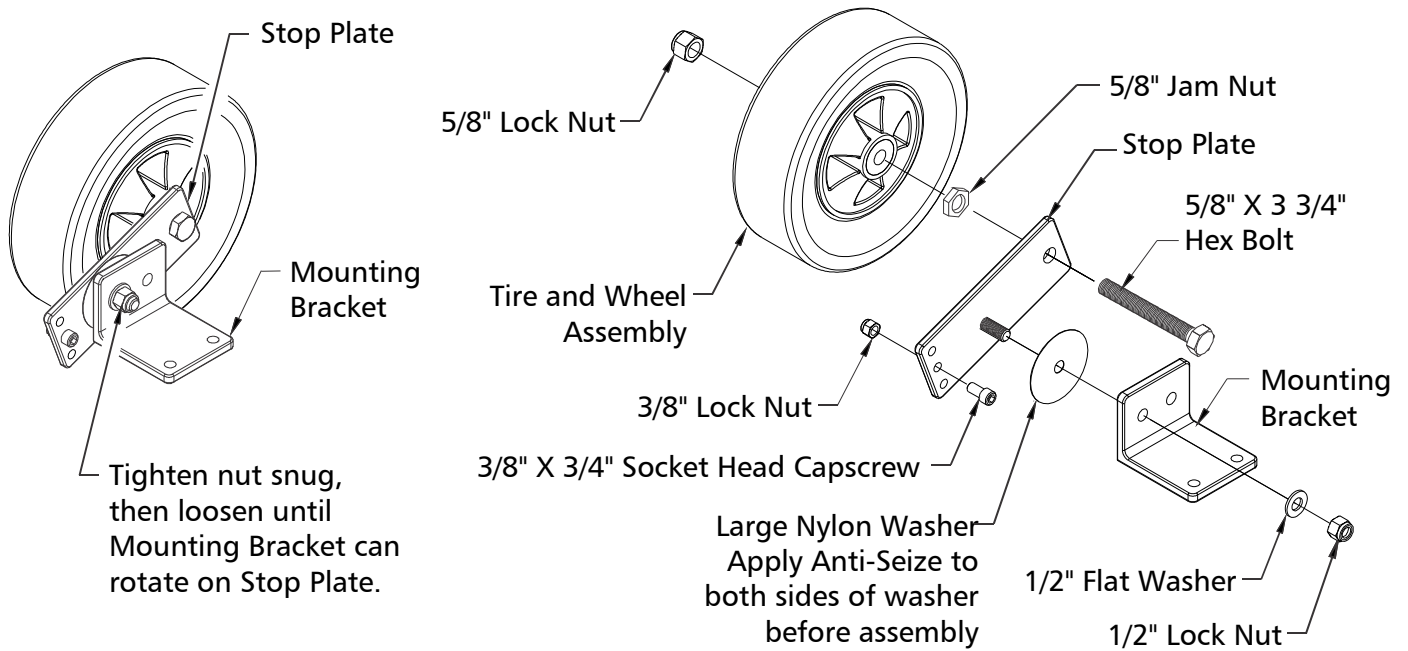


**\*\*\*CAUTION\*\*\***

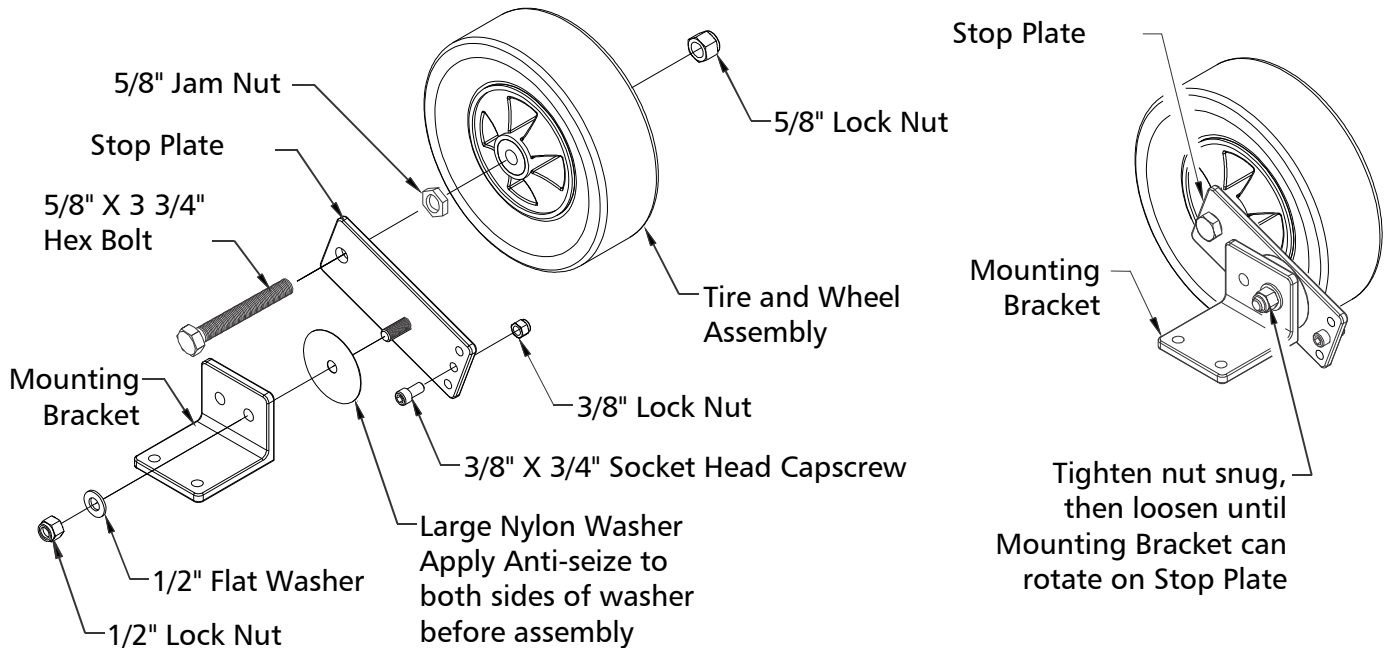
**This goal has been designed to be used for the game of soccer only. Goal posts must be anchored AT ALL TIMES and shall be secured against tilting. Do not climb on the net or goal framework at anytime! All fastenings must be checked to insure they are fully tightened before and after each use of this product. Goal posts not in use must be disassembled and properly stored in a safe, secure area. (See Guidelines for Moveable Soccer Goal Safety, included.) Assembled goal posts should not be left unattended. Remove nets when goals are not in use. Do not use this equipment during the threat of high winds. Goal posts should be checked for safety before and after each use. All warning and safety labels included with this product must be visible at all times. Any modifications to this or any Kwik Goal product will void any and all warranties.**

8. Assemble left and right wheel assemblies.

### Left Side Wheels



### Right Side Wheels

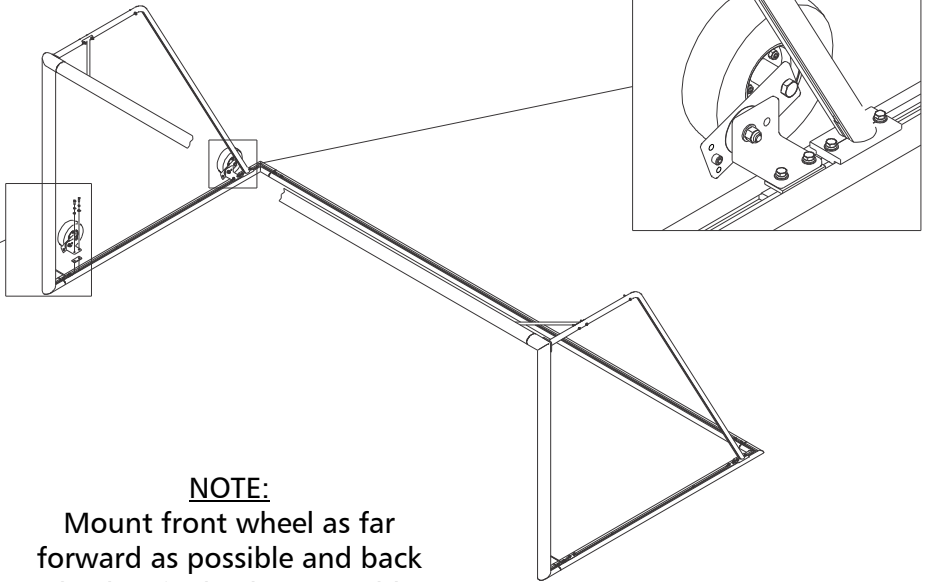
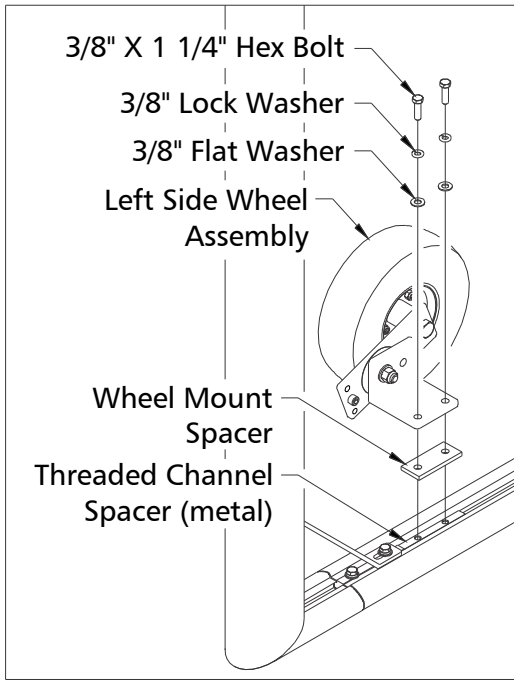


**\*\*\*CAUTION\*\*\***

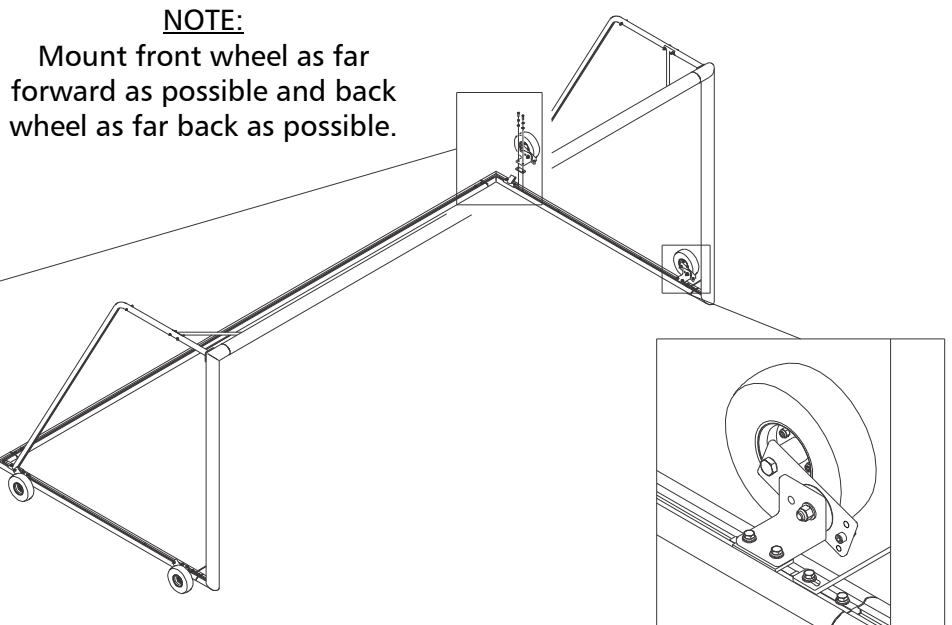
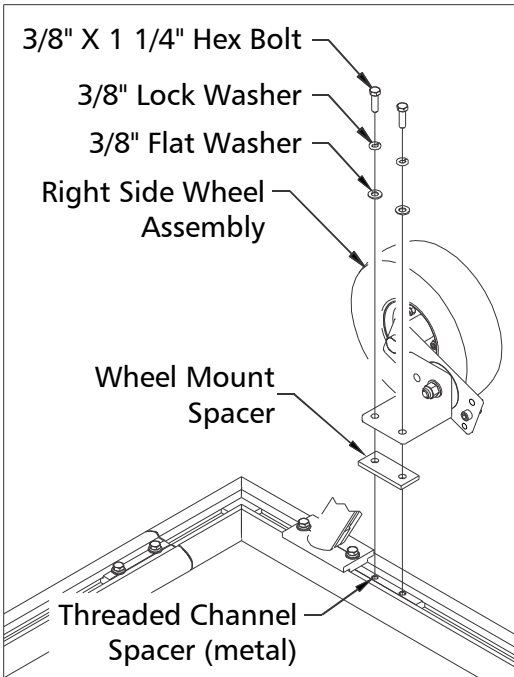
**This goal has been designed to be used for the game of soccer only. Goal posts must be anchored AT ALL TIMES and shall be secured against tilting. Do not climb on the net or goal framework at anytime! All fastenings must be checked to insure they are fully tightened before and after each use of this product. Goal posts not in use must be disassembled and properly stored in a safe, secure area. (See Guidelines for Moveable Soccer Goal Safety, included.) Assembled goal posts should not be left unattended. Remove nets when goals are not in use. Do not use this equipment during the threat of high winds. Goal posts should be checked for safety before and after each use. All warning and safety labels included with this product must be visible at all times. Any modifications to this or any Kwik Goal product will void any and all warranties.**

9. Attach left and right wheel assemblies to bases using 3/8" hex bolts, wheel mount spacers, and threaded channel spacers.

### Left Side Wheels



### Right Side Wheels



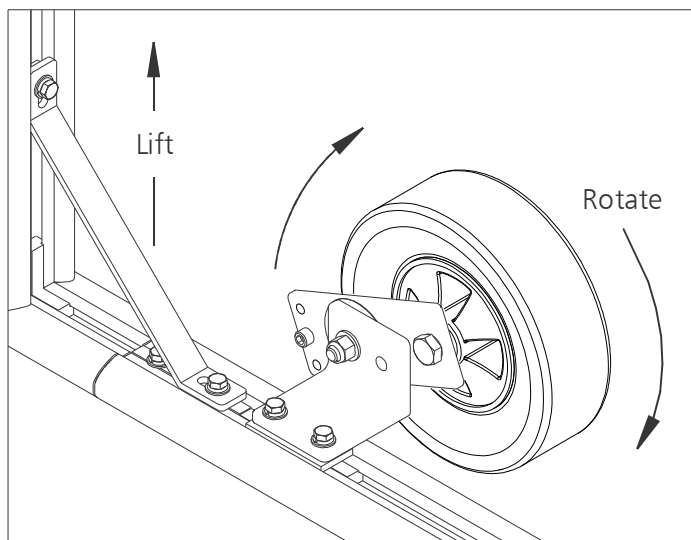
**\*\*\*CAUTION\*\*\***

**This goal has been designed to be used for the game of soccer only. Goal posts must be anchored AT ALL TIMES and shall be secured against tilting. Do not climb on the net or goal framework at anytime! All fastenings must be checked to insure they are fully tightened before and after each use of this product. Goal posts not in use must be disassembled and properly stored in a safe, secure area. (See Guidelines for Moveable Soccer Goal Safety, included.) Assembled goal posts should not be left unattended. Remove nets when goals are not in use. Do not use this equipment during the threat of high winds. Goal posts should be checked for safety before and after each use. All warning and safety labels included with this product must be visible at all times. Any modifications to this or any Kwik Goal product will void any and all warranties.**

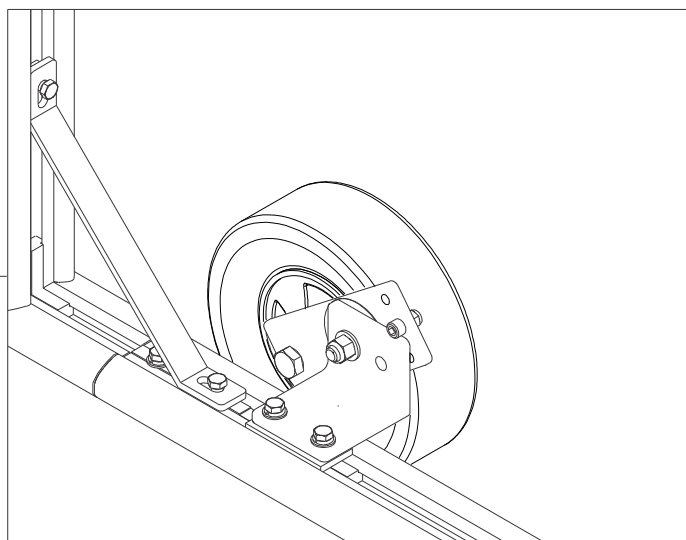
10. Lift goal and rotate wheels to down position to move goal.

## Left Side Wheel

Wheel in up position for play.

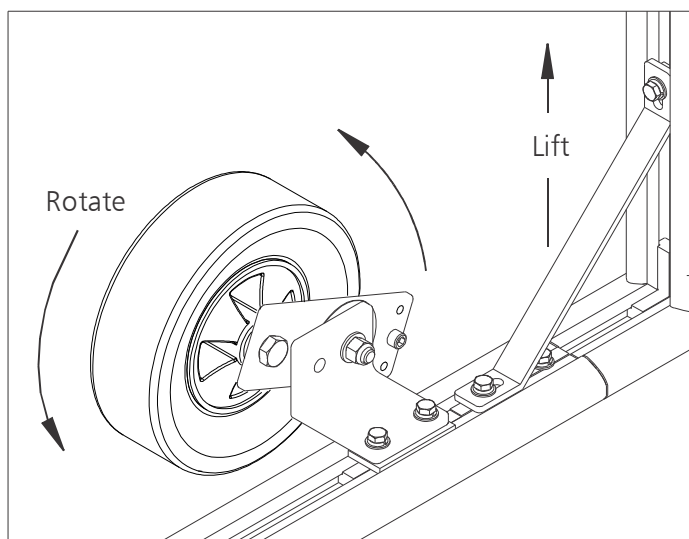


Wheel in down position to move goal.

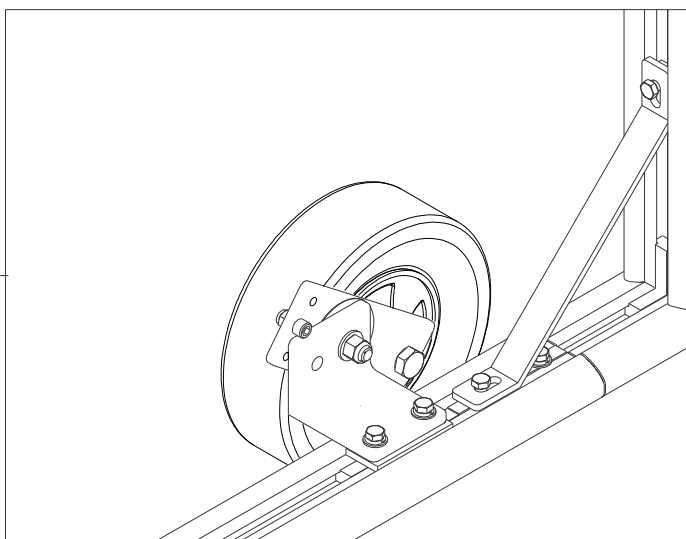


## Right Side Wheel

Wheel in up position for play.



Wheel in down position to move goal.



11. Anchor goal when finished.

### \*\*\*CAUTION\*\*\*

**This goal has been designed to be used for the game of soccer only. Goal posts must be anchored AT ALL TIMES and shall be secured against tilting. Do not climb on the net or goal framework at anytime! All fastenings must be checked to insure they are fully tightened before and after each use of this product. Goal posts not in use must be disassembled and properly stored in a safe, secure area. (See Guidelines for Moveable Soccer Goal Safety, included.) Assembled goal posts should not be left unattended. Remove nets when goals are not in use. Do not use this equipment during the threat of high winds. Goal posts should be checked for safety before and after each use. All warning and safety labels included with this product must be visible at all times. Any modifications to this or any Kwik Goal product will void any and all warranties.**