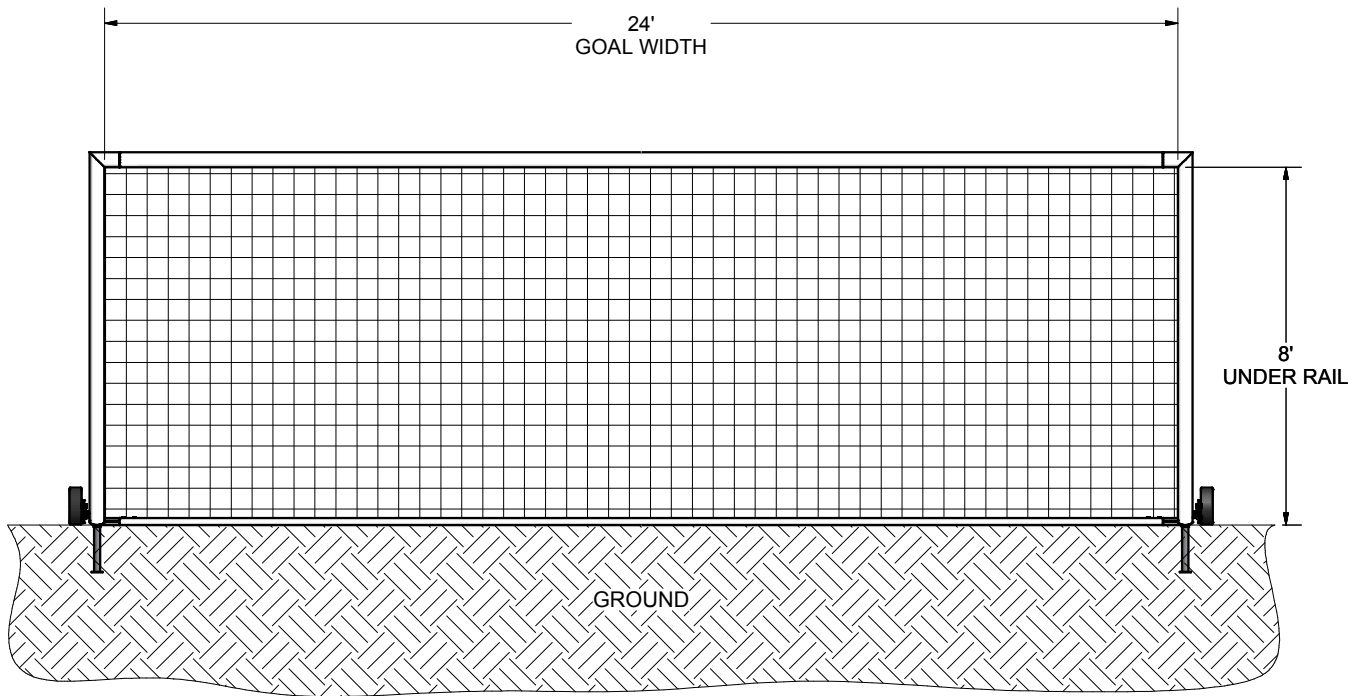
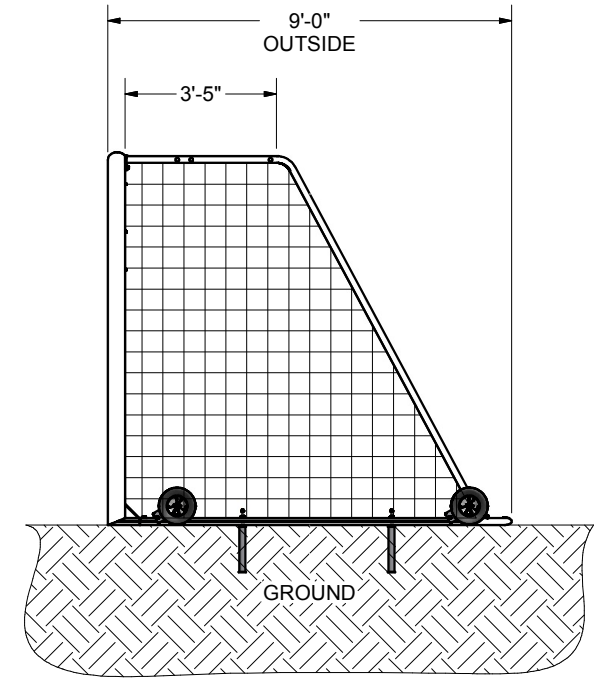


FRONT VIEW



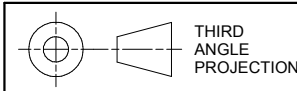
SIDE VIEW



FEATURES:

- 1) ALUMINUM GOAL FRAME AND BACKDROPS
- 2) FINISH: WHITE POWDER COAT
- 3) INCLUDED:
 - SEMI PERMANENT GROUND ANCHORS
 - 3 mm, BLACK & WHITE NET
 - KWIK LOCK® NET CLIPS
 - 4 - RELIANCE TURF PRO NO-FLAT TIRES
- 4) ASSEMBLED GOAL WEIGHT: 240 LBS.
- 5) EXCEEDS:
 - NCAA SPECIFICATIONS
 - NFSHA SPECIFICATIONS
 - ASTM F2056-00 STANDARDS

Finish Info.



DIMENSIONS ARE IN INCHES
UNLESS OTHERWISE SPECIFIED

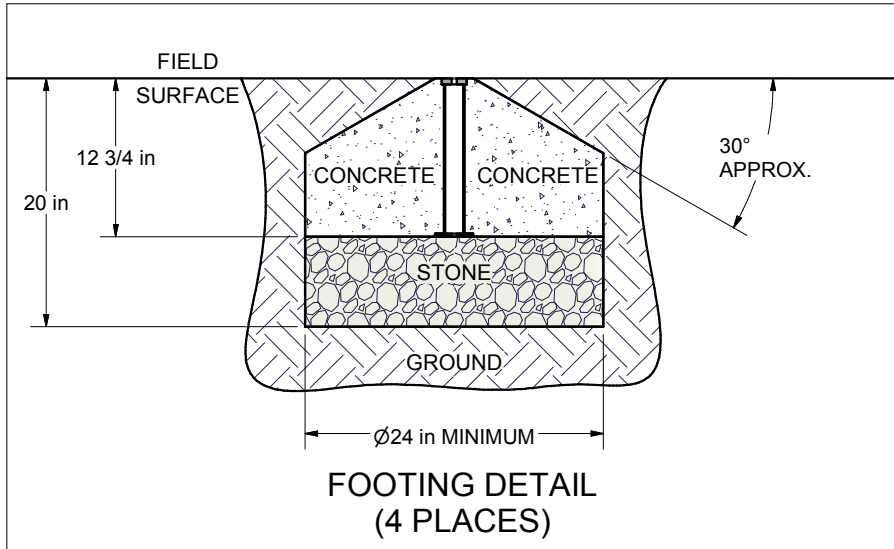
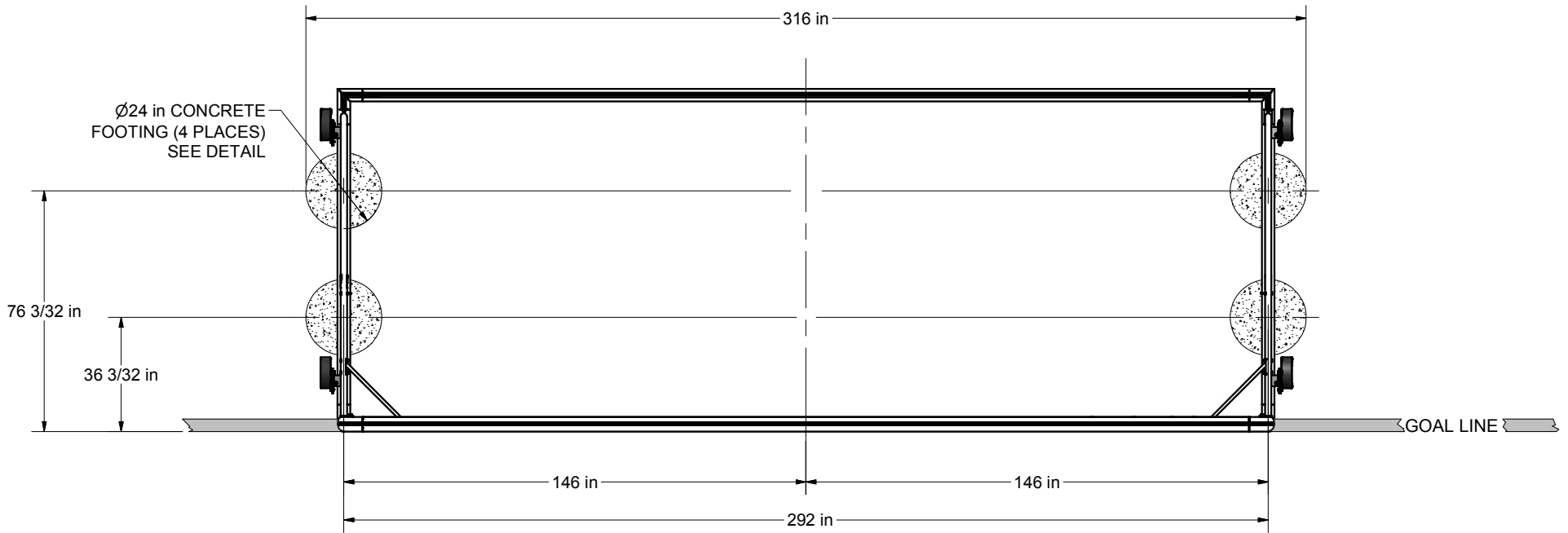
This item is the **exclusive** property of **KWIK GOAL LTD.** Reproduction or duplication **without** the express written consent of **KWIK GOAL LTD.** is **strictly forbidden.**



Approved By:
Date:
Drawn By: KFrish
Date: 11/23/2010
Sheet: 1 of 4
Revision #:
Cad File: 2B3306W.idw

Part #:
2B3306W
Desc:
8' x 24'
EVOLUTION 1.1 GOAL
w/ WHEELS

OVERHEAD VIEW



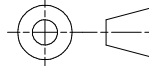

NOTES:

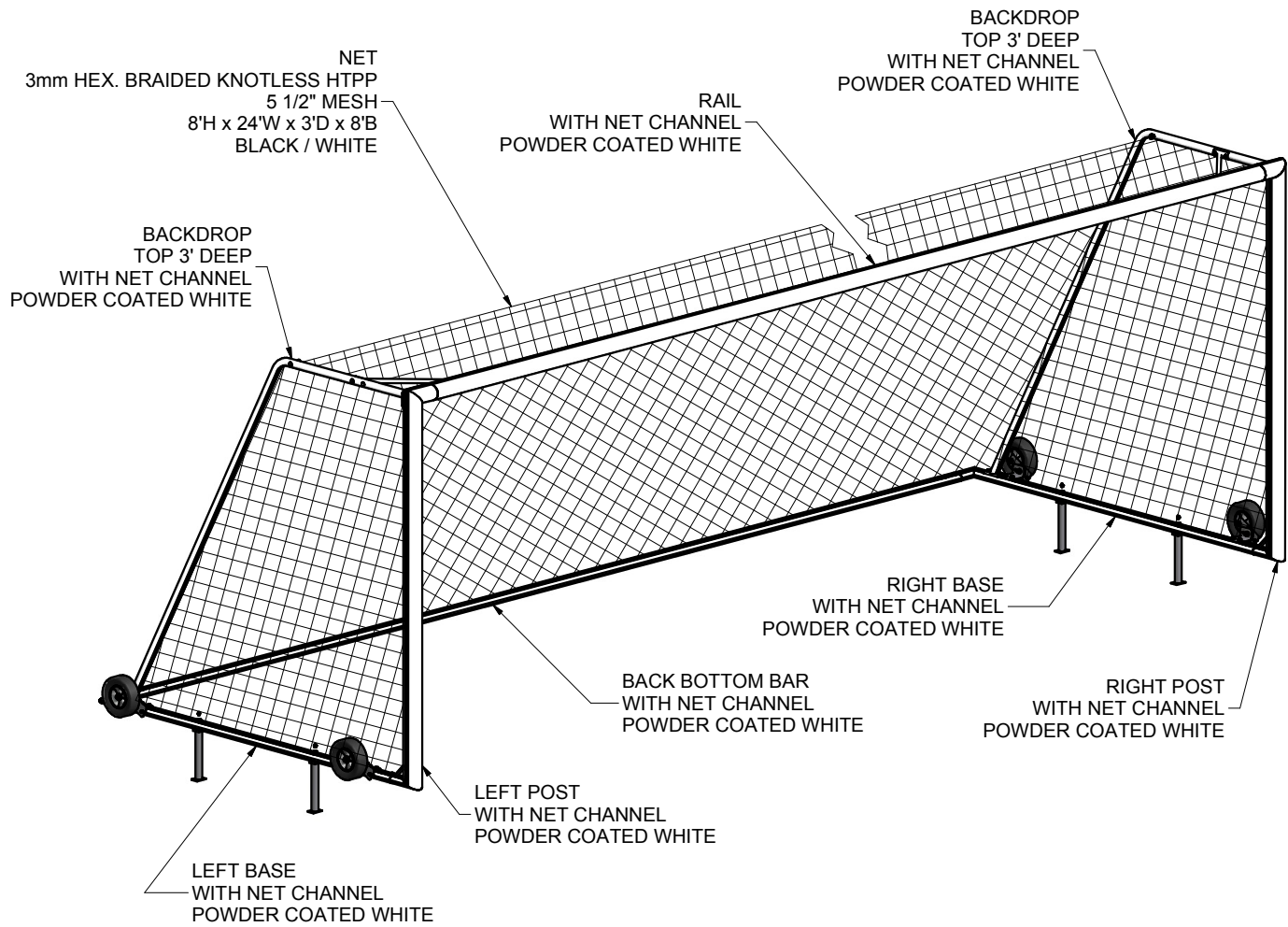
- 1) DIMENSIONS ARE FOR PLANNING PURPOSES. INSTALLATION MUST BE IN ACCORDANCE WITH INSTALLATION INSTRUCTIONS.

MATERIAL REQUIRED, BUT **NOT** SUPPLIED

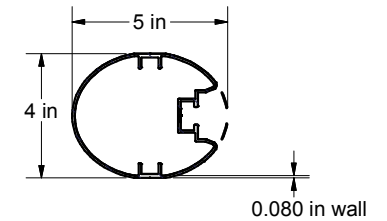
- 0.5 cubic yard - CONCRETE
 - 0.3 cubic yard - CLEAN STONE (1/4" - 3/4")
- ABOVE AMOUNTS ARE PER GOAL INSTALLATION

Finish Info.

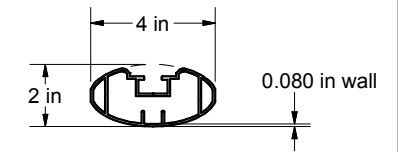
 <p>THIRD ANGLE PROJECTION</p>	 <p>140 Pacific Drive Quakertown, Pa. 18951</p>	
	<p>DIMENSIONS ARE IN INCHES UNLESS OTHERWISE SPECIFIED</p>	<p>Approved By:</p> <p>Date:</p>
<p>This item is the exclusive property of KWIK GOAL LTD. Reproduction or duplication without the express written consent of KWIK GOAL LTD. is strictly forbidden.</p>	<p>Drawn By: KFrish</p> <p>Date: 11/23/2010</p> <p>Sheet: 2 of 4</p> <p>Revision #:</p> <p>Cad File: 2B3306W.idw</p>	<p>Desc:</p> <p>8' x 24' EVOLUTION 1.1 GOAL w/ WHEELS</p>



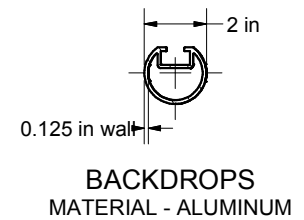
MATERIAL DETAILS



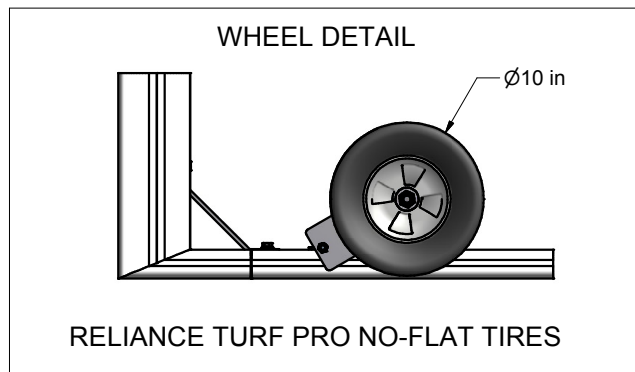
POSTS & RAIL
MATERIAL - ALUMINUM



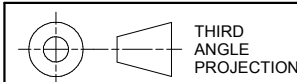
BACK BOTTOM BAR & BASES
MATERIAL - ALUMINUM



BACKDROPS
MATERIAL - ALUMINUM



Finish Info.



DIMENSIONS ARE IN INCHES UNLESS OTHERWISE SPECIFIED

This item is the **exclusive** property of **KWIK GOAL LTD.** Reproduction or duplication **without** the express written consent of **KWIK GOAL LTD.** is **strictly forbidden.**



Approved By:

Date:

Drawn By: KFrish

Date: 11/23/2010

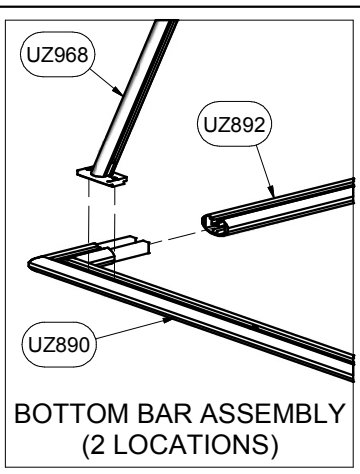
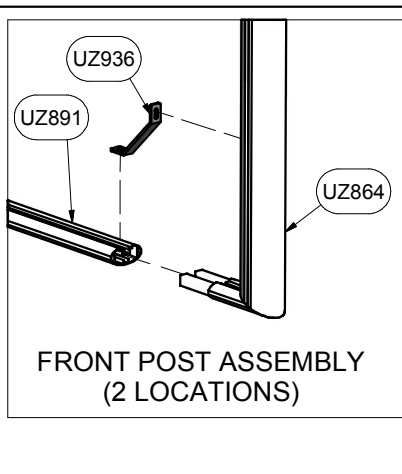
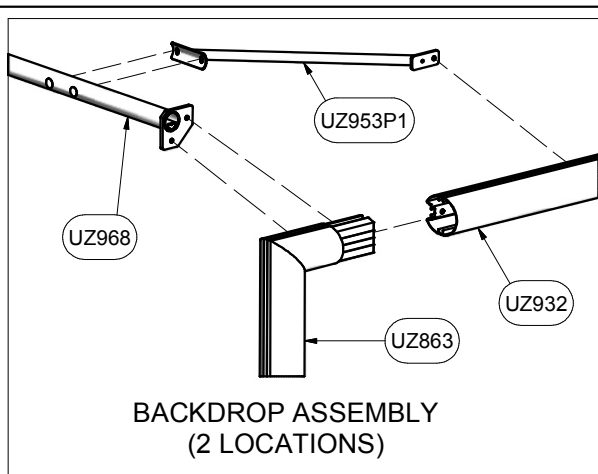
Sheet: 3 of 4

Revision #:

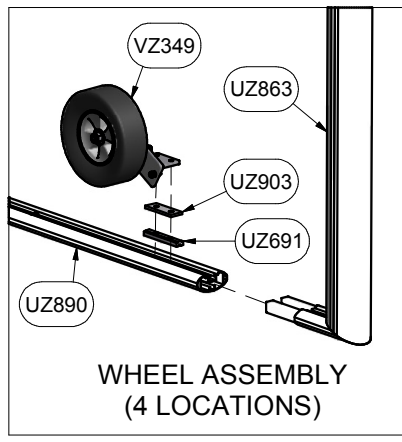
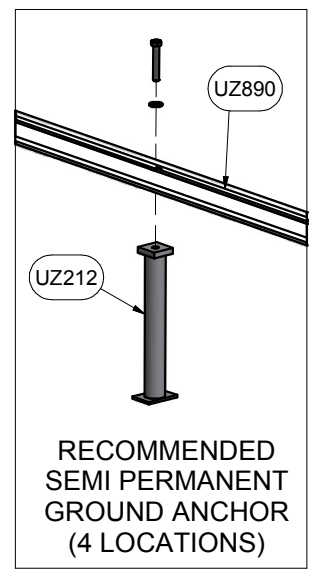
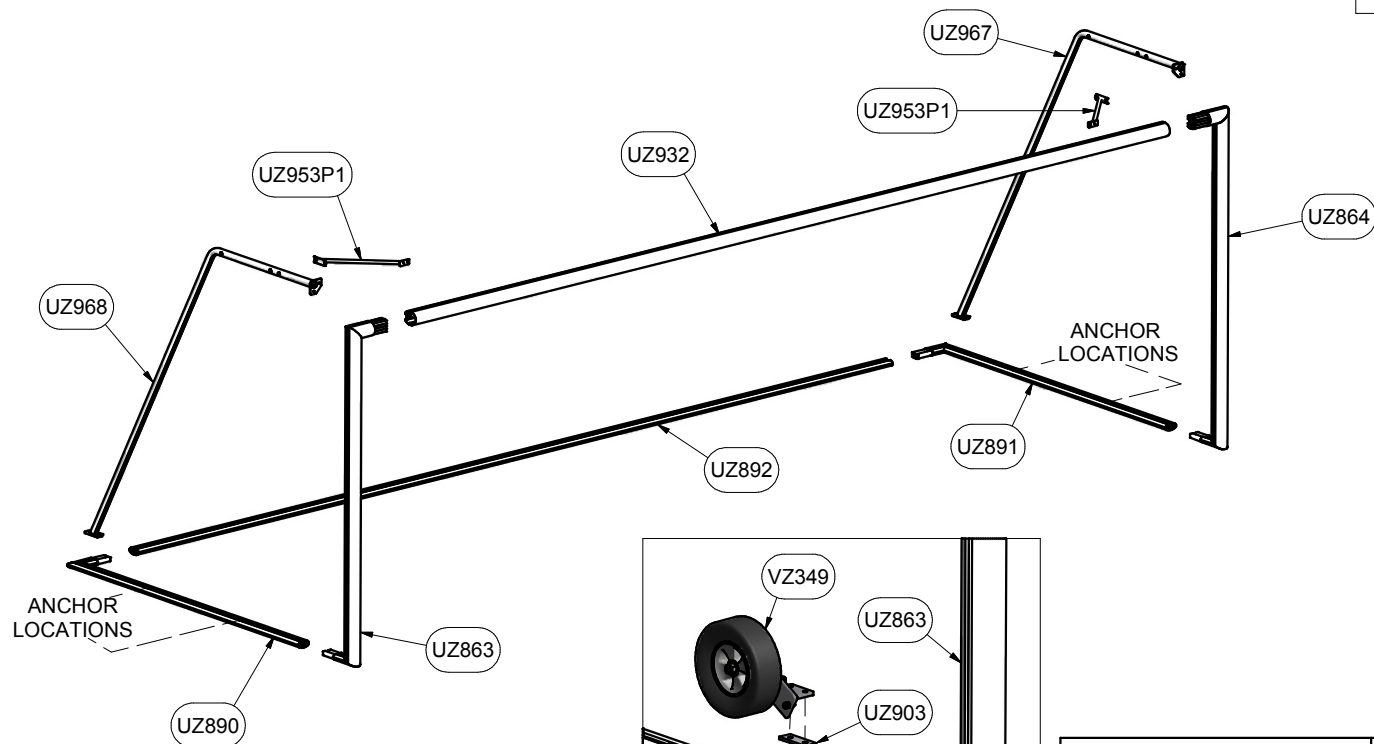
Cad File: 2B3306W.idw

Part #: **2B3306W**

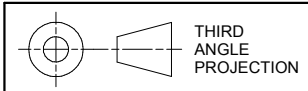
Desc: 8' x 24' EVOLUTION 1.1 GOAL w/ WHEELS



Parts List		
Part #	Qty	Description
UZ892	1	BACK BOTTOM BAR, 2B3306
UZ863	1	LEFT POST, 2B3306
UZ864	1	RIGHT POST, 2B3306
UZ891	1	RIGHT BASE, 2B3306
UZ890	1	LEFT BASE, 2B3306
UZ967	1	BACKDROP, EVOLUTION, RIGHT SIDE
UZ968	1	BACKDROP, EVOLUTION, LEFT SIDE
UZ212	4	GROUND ANCHOR ASSEMBLY
UZ932	1	RAIL, 2B3306
UZ953P1	2	BACKDROP BRACE
VZ116	7	Kwik Lock Net Clip II
UZ936	2	POST BRACE
3B2101	1	NET, 3MM ROPE, 5-1/2" MESH
UZ691	4	Threaded Channel Spacer
UZ903	4	Wheel Mounting Spacer, 10B403
VZ349	4	FLAT PROOF TIRE



Finish Info.



DIMENSIONS ARE IN INCHES
UNLESS OTHERWISE SPECIFIED

This item is the **exclusive** property of **KWIK GOAL LTD.** Reproduction or duplication **without** the express written consent of **KWIK GOAL LTD.** is **strictly forbidden.**

140 Pacific Drive
Quakertown,
Pa. 18951

Approved By:
Date:
Drawn By: KFRisch
Date: 11/23/2010
Sheet: 4 of 4
Revision #:
Cad File: 2B3306W.idw

Part #:
2B3306W
Desc:
8' x 24'
EVOLUTION 1.1 GOAL
w/ WHEELS