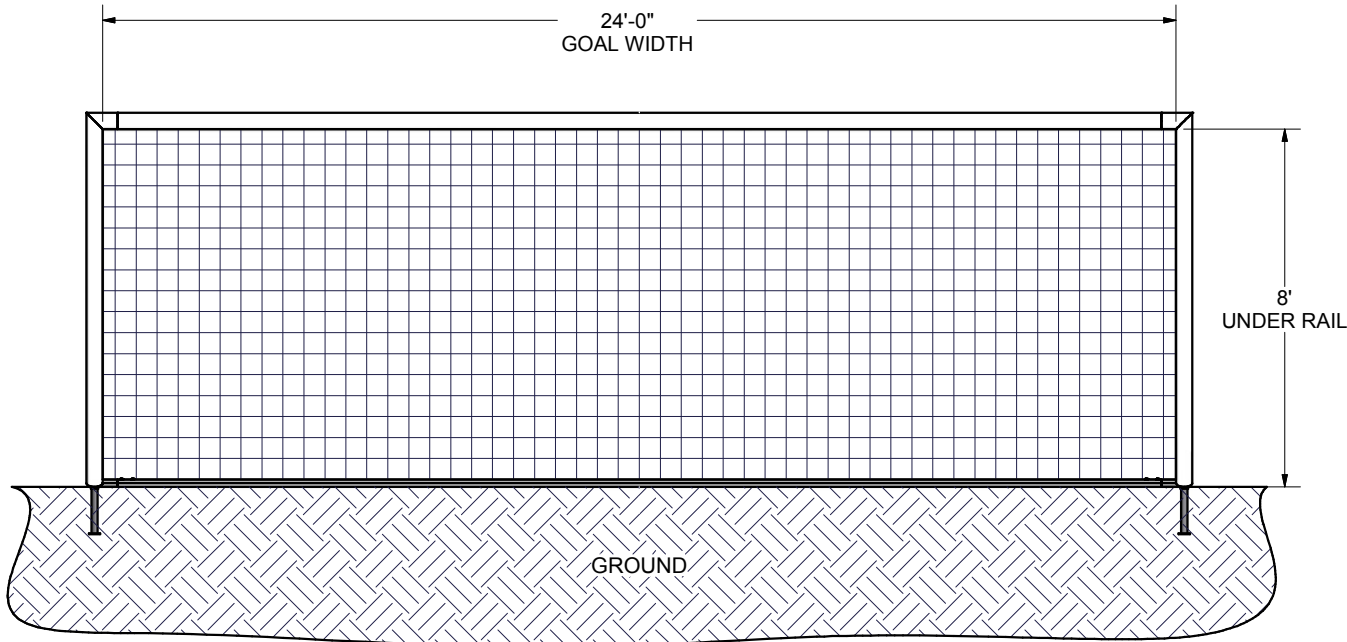
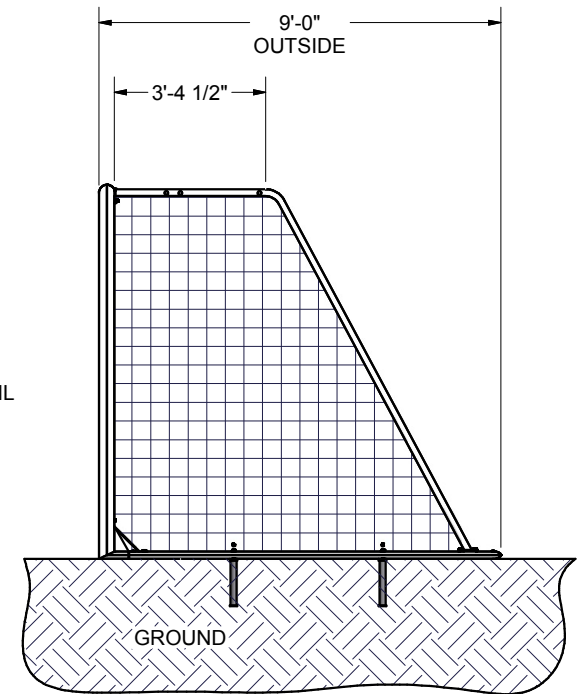


FRONT VIEW



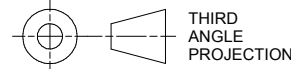
SIDE VIEW



FEATURES:

- 1) ALUMINUM GOAL FRAME AND BACKDROPS
- 2) FINISH: WHITE POWDER COAT
- 3) INCLUDED:
  - SEMI PERMANENT GROUND ANCHORS
  - 3 mm, BLACK & WHITE NET
  - KWIK LOCK NET CLIPS
- 4) ASSEMBLED GOAL WEIGHT: 210 LBS.
- 5) EXCEEDS:
  - NCAA SPECIFICATIONS
  - NFSHA SPECIFICATIONS
  - ASTM F2056-00 STANDARDS

**Finish Info.**



DIMENSIONS ARE IN INCHES  
UNLESS OTHERWISE SPECIFIED

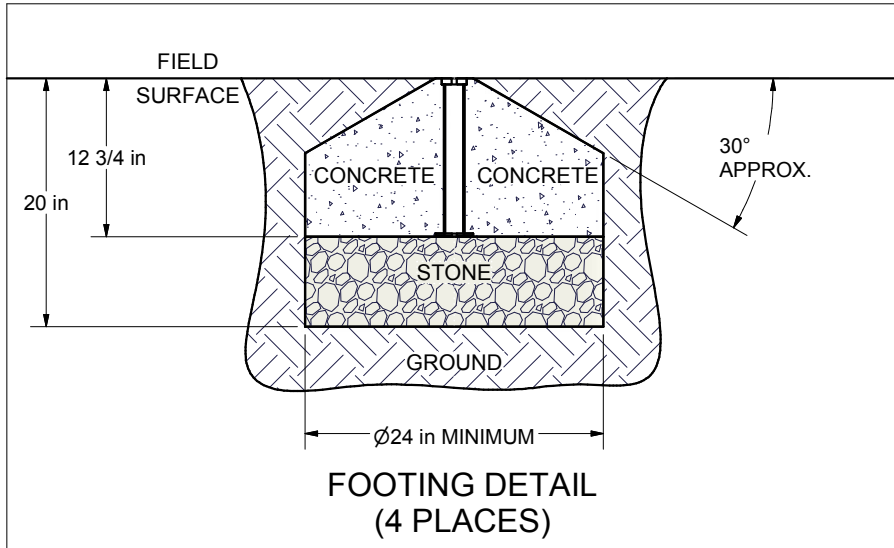
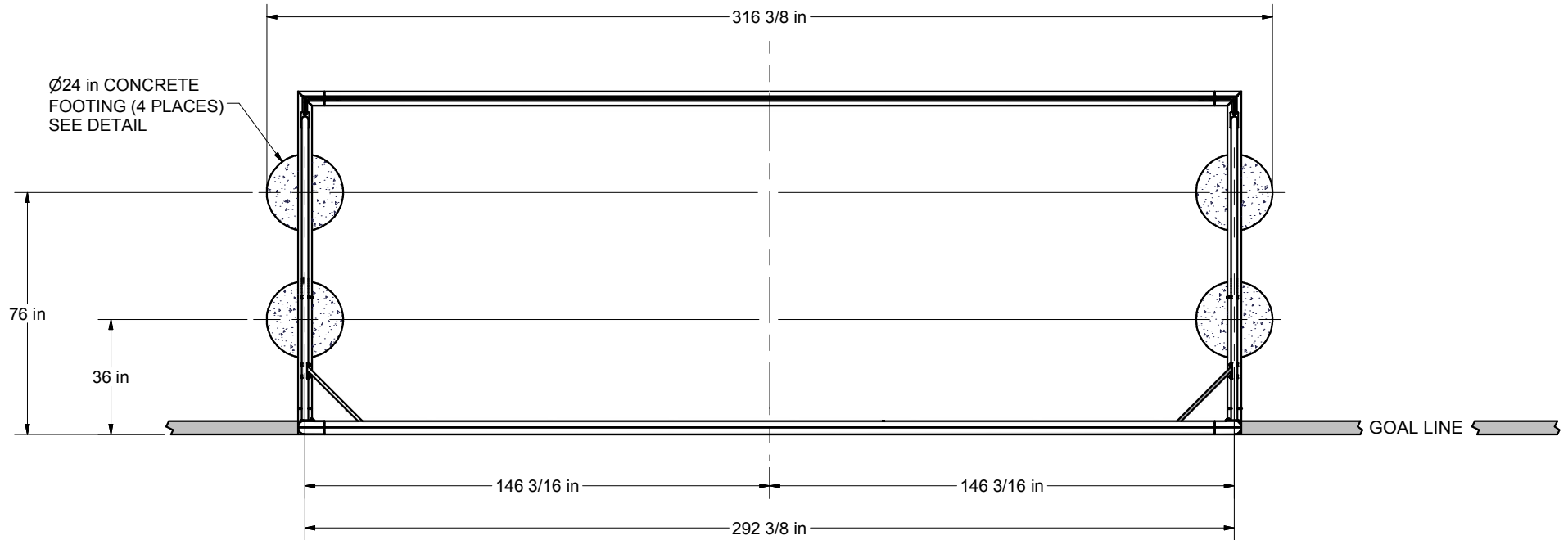
This item is the **exclusive** property of **KWIK GOAL LTD.** Reproduction or duplication **without** the express written consent of **KWIK GOAL LTD.** is **strictly forbidden.**



Approved By:  
Date:  
Drawn By: CSpeck  
Date: 12/13/2005  
Sheet: 1 of 4  
Revision #: 1  
Cad File: 2B3406.idw

Part #:  
**2B3406**  
Desc:  
8' X 24'  
EVOLUTION 2.1 GOAL

OVERHEAD VIEW




NOTES:

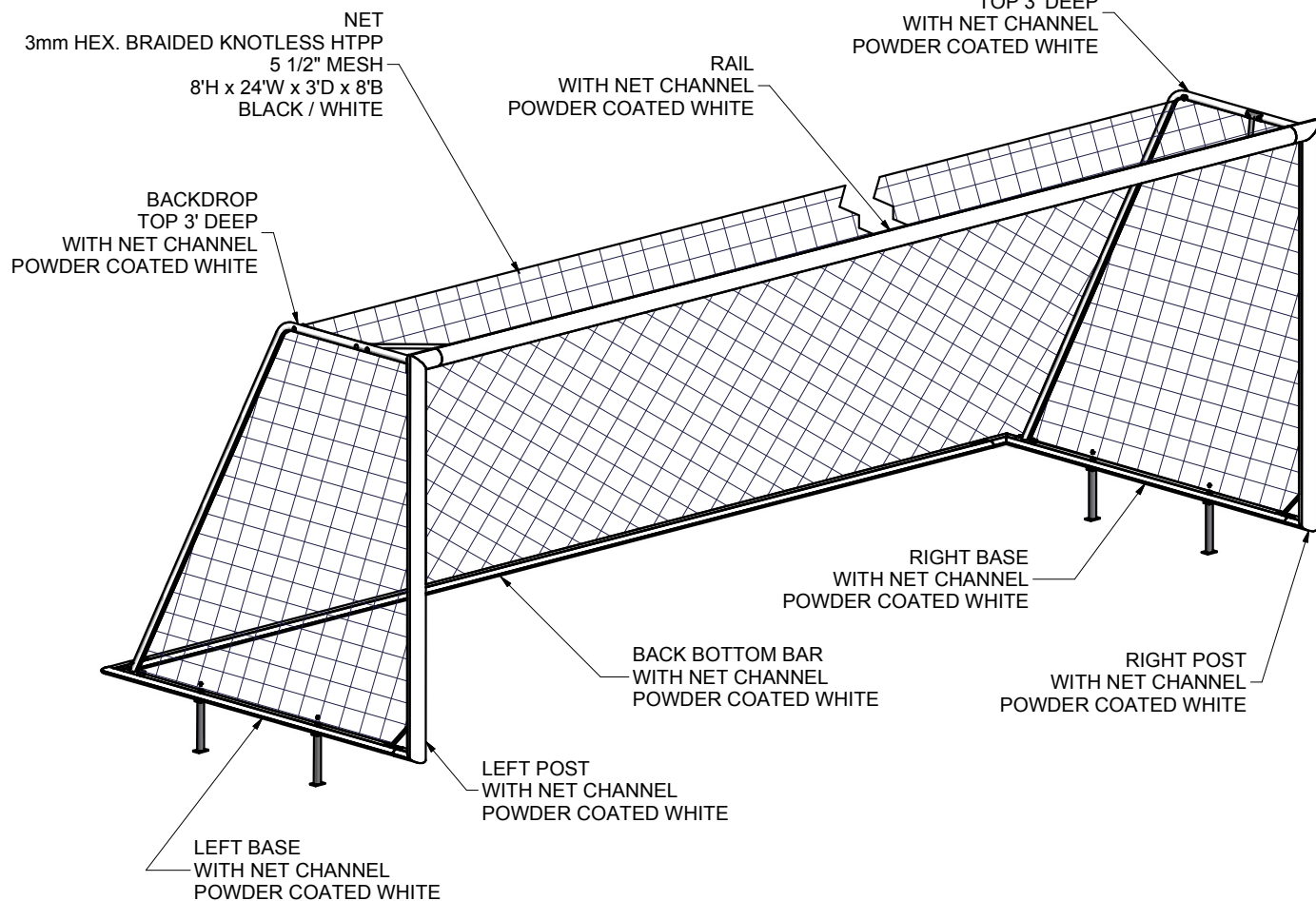
1) DIMENSIONS ARE FOR PLANNING PURPOSES. INSTALLATION MUST BE IN ACCORDANCE WITH INSTALLATION INSTRUCTIONS.

MATERIAL REQUIRED, BUT **NOT** SUPPLIED

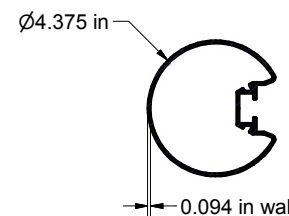
0.5 cubic yard - CONCRETE  
 0.3 cubic yard - CLEAN STONE (1/4" - 3/4")  
 ABOVE AMOUNTS ARE PER GOAL INSTALLATION

Finish Info.

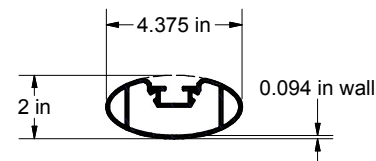
 THIRD ANGLE PROJECTION	 140 Pacific Drive Quakertown, Pa. 18951	
	DIMENSIONS ARE IN INCHES UNLESS OTHERWISE SPECIFIED	Approved By:
This item is the <b>exclusive</b> property of <b>KWIK GOAL LTD.</b> Reproduction or duplication <b>without</b> the express written consent of <b>KWIK GOAL LTD.</b> is <b>strictly forbidden.</b>	Date:	2B3406
	Drawn By: CSpeck	
	Date: 12/13/2005	Desc:
	Sheet: 2 of 4	8' X 24' EVOLUTION 2.1 GOAL
Revision #: 1	Cad File: 2B3406.idw	



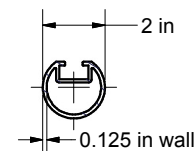
### MATERIAL DETAILS



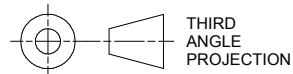
#### POST & RAIL MATERIAL ALUMINUM



#### BACK BOTTOM BAR & BASES MATERIAL - ALUMINUM



#### BACKDROPS MATERIAL - ALUMINUM



DIMENSIONS ARE IN INCHES  
UNLESS OTHERWISE SPECIFIED

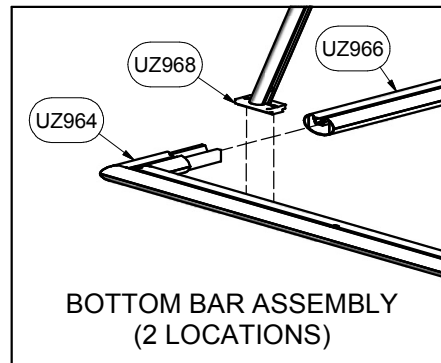
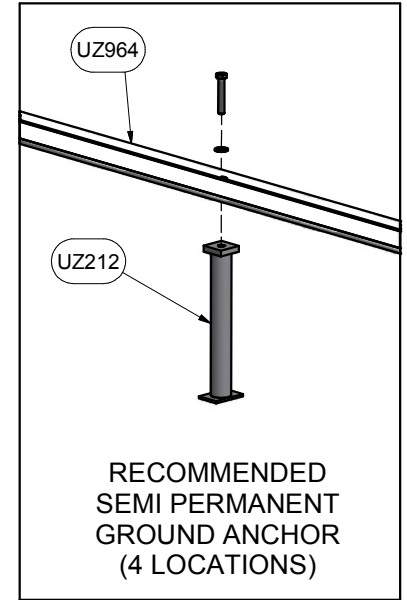
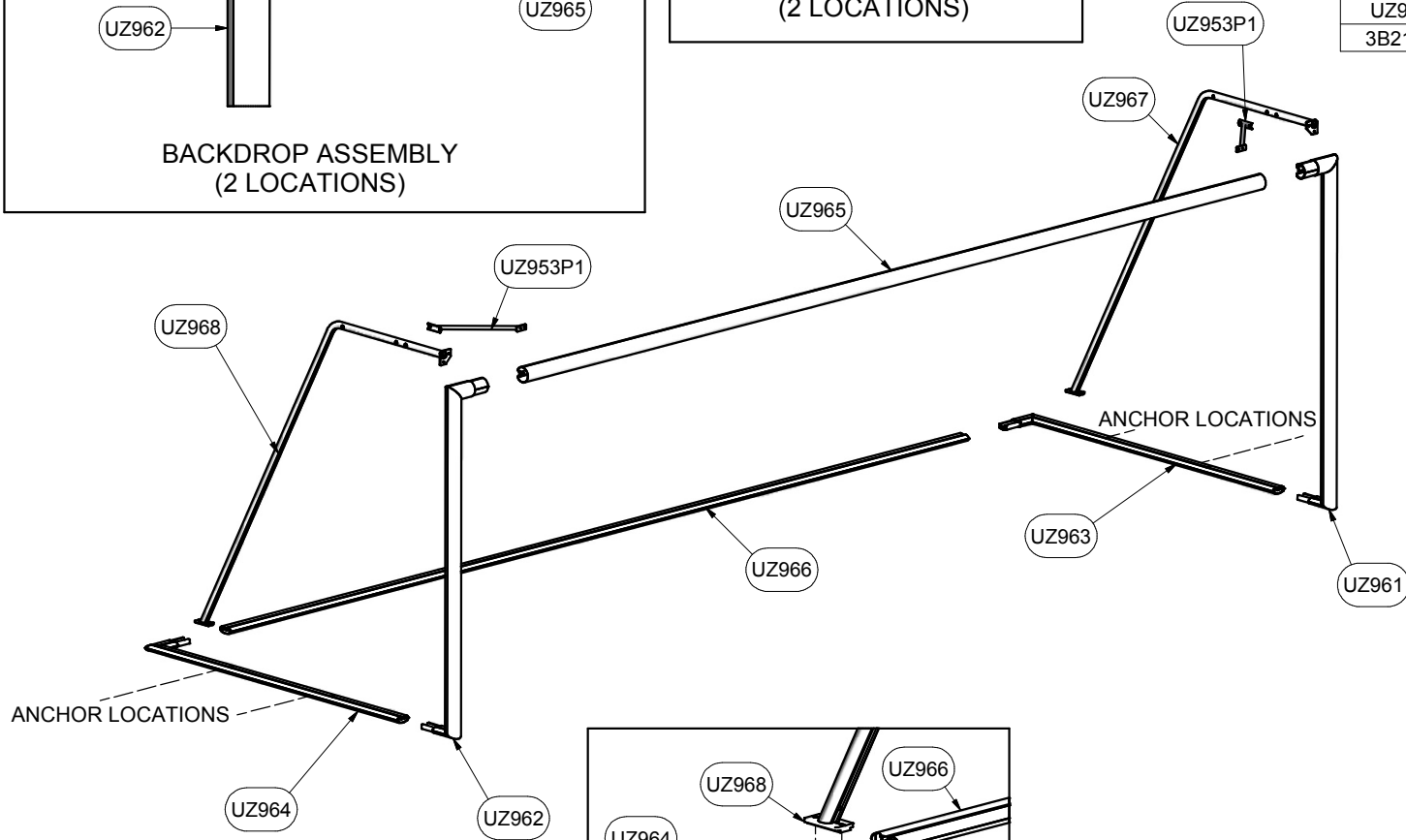
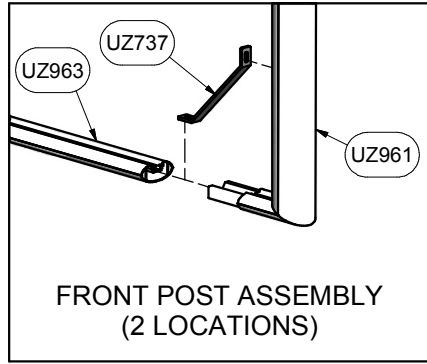
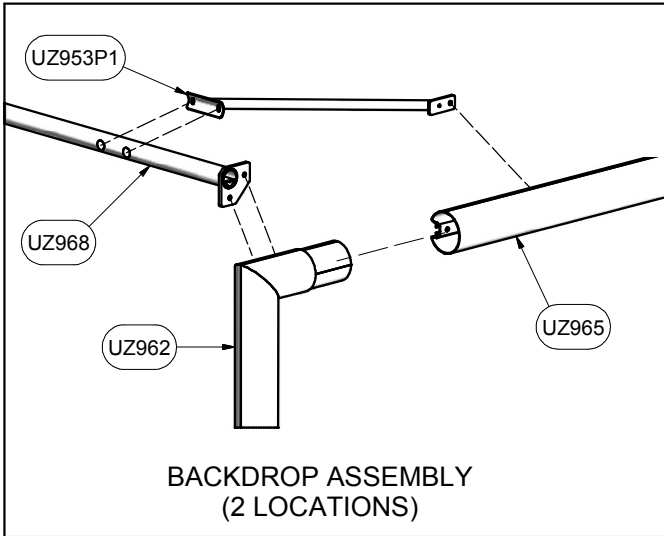
This item is the **exclusive** property of **KWIK GOAL LTD.** Reproduction or duplication **without** the express written consent of **KWIK GOAL LTD.** is **strictly forbidden.**



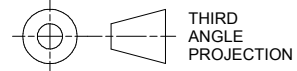
Approved By:  
Date:  
Drawn By: CSpeck  
Date: 12/13/2005  
Sheet: 3 of 4  
Revision #: 1  
Cad File: 2B3406.idw

Part #:  
**2B3406**  
Desc:  
8' X 24'  
EVOLUTION 2.1 GOAL

Finish Info.



Parts List		
Part #	Qty	Description
UZ967	1	BACKDROP, EVOLUTION, RIGHT SIDE
UZ953P1	2	BACKDROP BRACE
UZ968	1	BACKDROP, EVOLUTION, LEFT SIDE
UZ737	2	Front Post Brace
UZ212	4	GROUND ANCHOR ASSEMBLY
UZ963	1	RIGHT BASE ASSEMBLY, 2B3406
UZ966	1	BACK BOTTOM BAR, 2B3406
UZ964	1	LEFT BASE ASSEMBLY, 2B3406
UZ961	1	RIGHT POST ASSEMBLY, 2B3406
UZ965	1	RAIL, 2B3406
UZ962	1	LEFT POST ASSEMBLY, 2B3406
3B2101	1	NET, 3MM ROPE, 5-1/2" MESH



DIMENSIONS ARE IN INCHES  
UNLESS OTHERWISE SPECIFIED

This item is the **exclusive** property of **KWIK GOAL LTD.** Reproduction or duplication **without** the express written consent of **KWIK GOAL LTD.** is **strictly forbidden.**



Approved By:

Date:

Drawn By: CSpeck

Date: 12/13/2005

Sheet: 4 of 4

Revision #: 1

Cad File: 2B3406.idw

Part #:

**2B3406**

Desc:

8' X 24'  
EVOLUTION 2.1 GOAL

Finish Info.