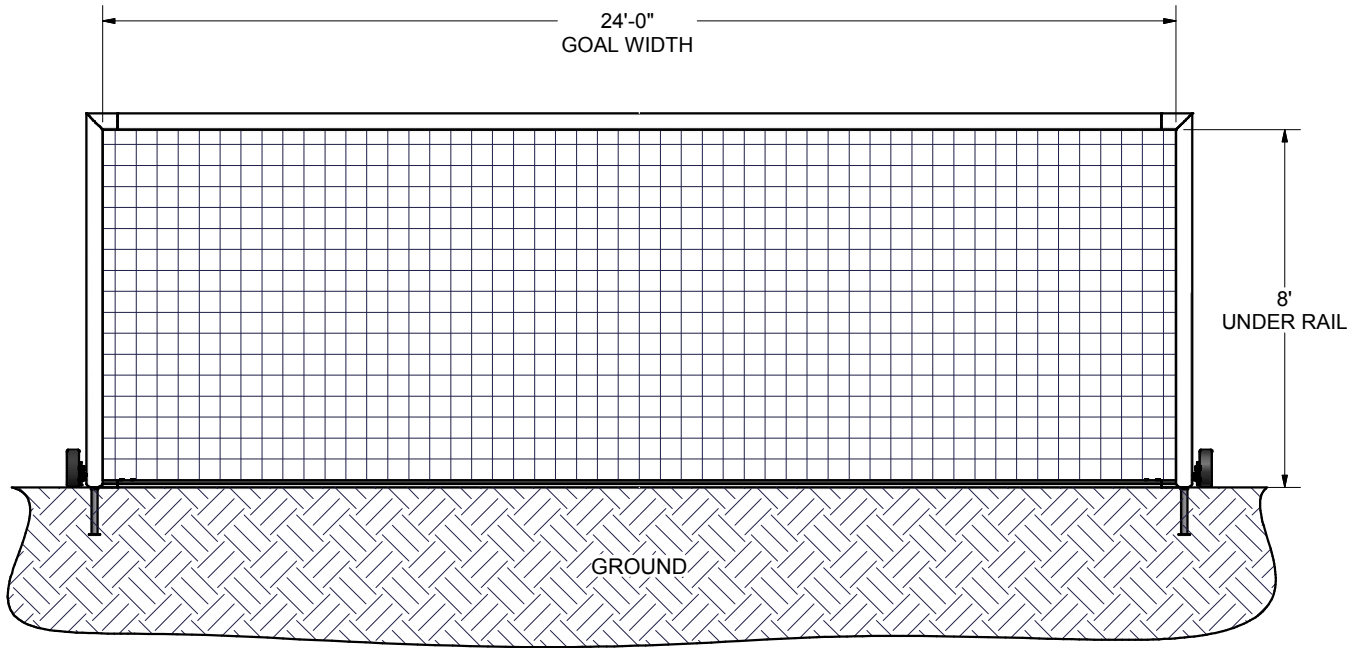
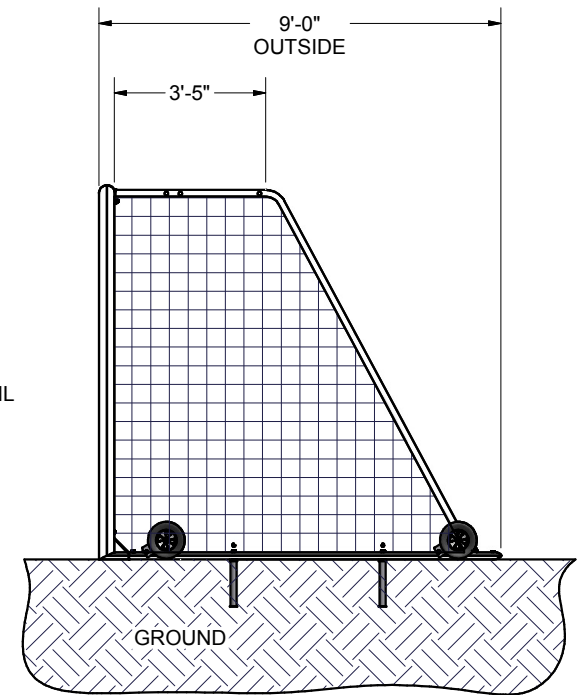


FRONT VIEW



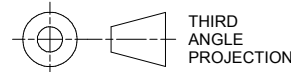
SIDE VIEW



FEATURES:

- 1) ALUMINUM GOAL FRAME AND BACKDROPS
- 2) FINISH: WHITE POWDER COAT
- 3) INCLUDED:
 - SEMI PERMANENT GROUND ANCHORS
 - 3 mm, BLACK & WHITE NET
 - KWIK LOCK® NET CLIPS
 - 4 - RELIANCE TURF PRO NO-FLAT TIRES
- 4) ASSEMBLED GOAL WEIGHT: 225 LBS.
- 5) EXCEEDS:
 - NCAA SPECIFICATIONS
 - NFSHA SPECIFICATIONS
 - ASTM F2056-00 STANDARDS

Finish Info.



DIMENSIONS ARE IN INCHES
UNLESS OTHERWISE SPECIFIED

This item is the **exclusive**
property of **KWIK GOAL LTD.**
Reproduction or duplication
without the express written
consent of **KWIK GOAL LTD.**
is **strictly forbidden.**



Approved By:

Date:

Drawn By: KFrish

Date: 11/23/2010

Sheet: 1 of 4

Revision #:

Cad File: 2B3406W.idw

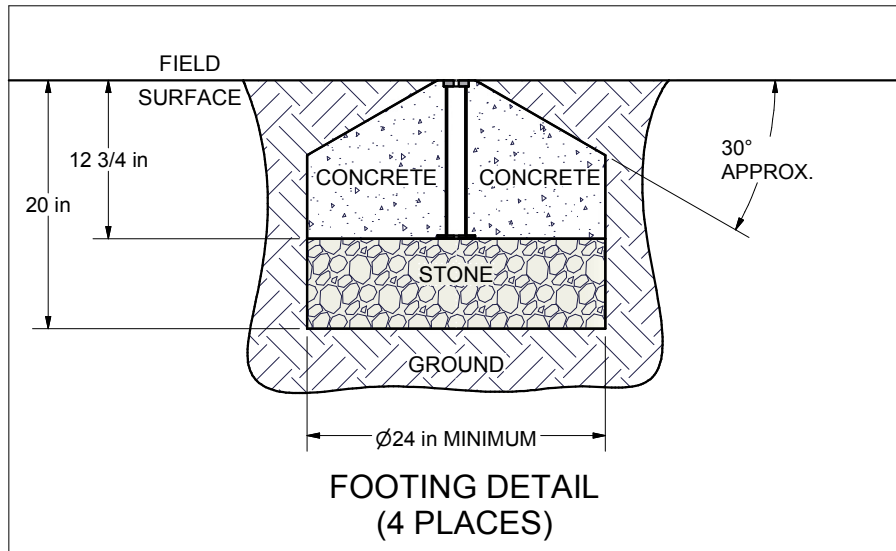
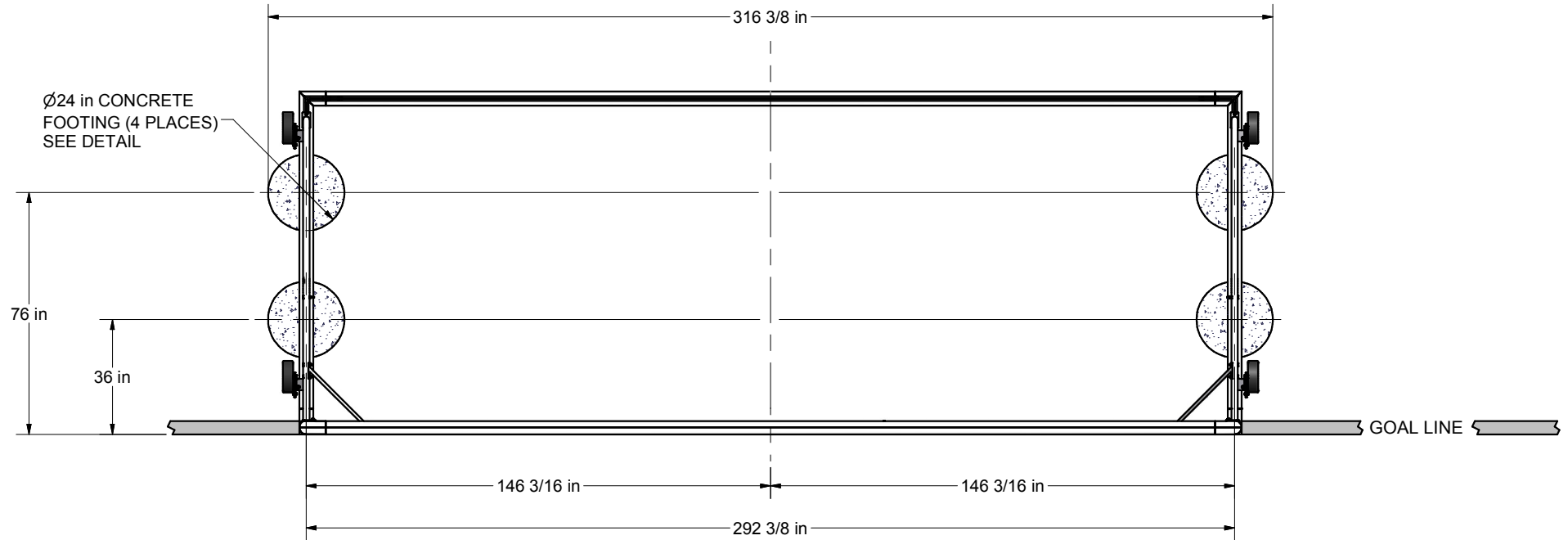
Part #:

2B3406W

Desc:

8' X 24'
EVOLUTION 2.1 GOAL
w/ WHEELS

OVERHEAD VIEW

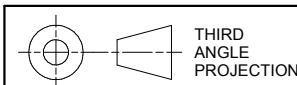


NOTES:

- 1) DIMENSIONS ARE FOR PLANNING PURPOSES. INSTALLATION MUST BE IN ACCORDANCE WITH INSTALLATION INSTRUCTIONS.

MATERIAL REQUIRED, BUT **NOT** SUPPLIED

- 0.5 cubic yard - CONCRETE
 - 0.3 cubic yard - CLEAN STONE (1/4" - 3/4")
- ABOVE AMOUNTS ARE PER GOAL INSTALLATION



DIMENSIONS ARE IN INCHES
UNLESS OTHERWISE SPECIFIED

Approved By:
Date:

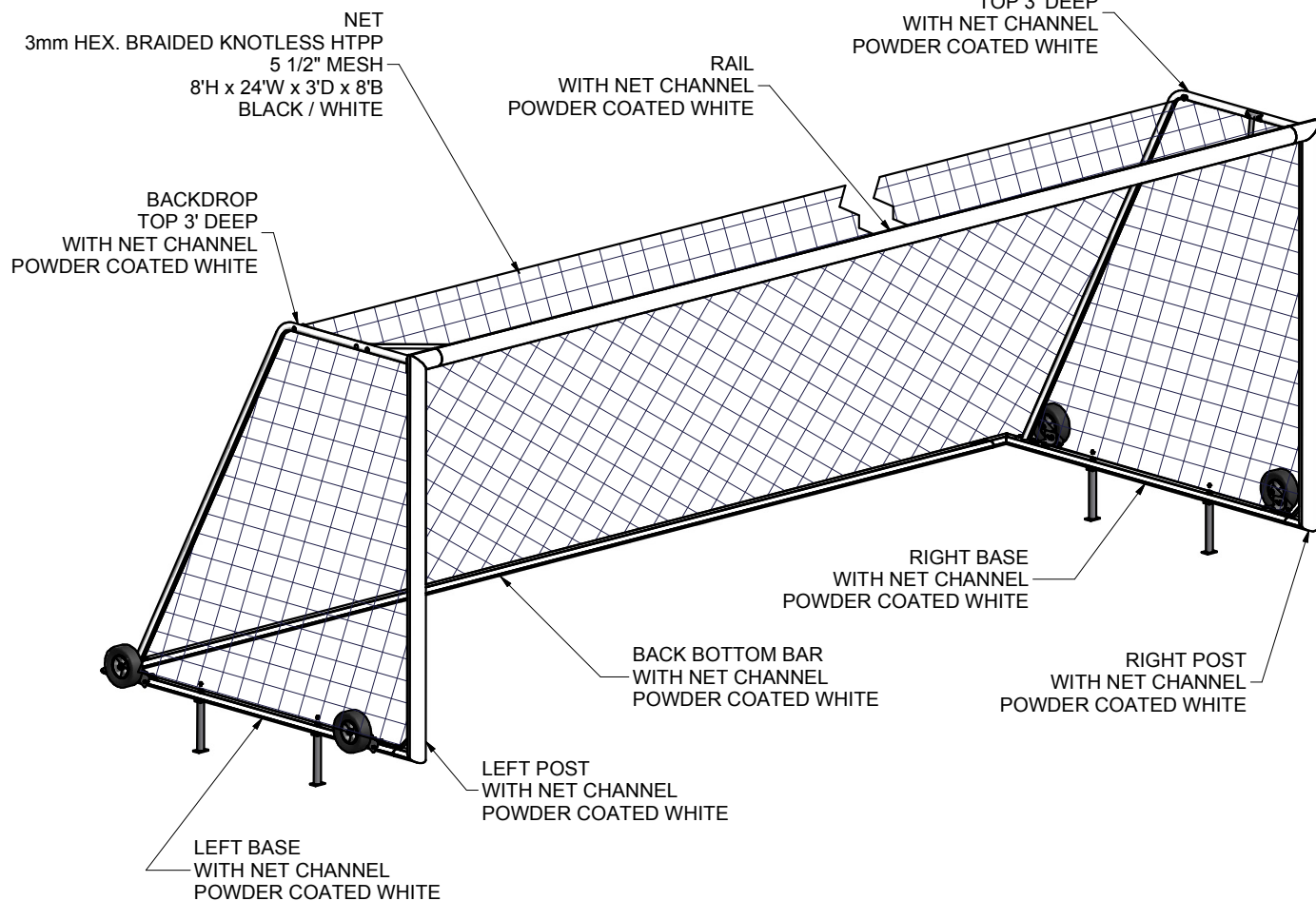
Part #:
2B3406W

This item is the **exclusive** property of **KWIK GOAL LTD.** Reproduction or duplication **without** the express written consent of **KWIK GOAL LTD.** is **strictly forbidden.**

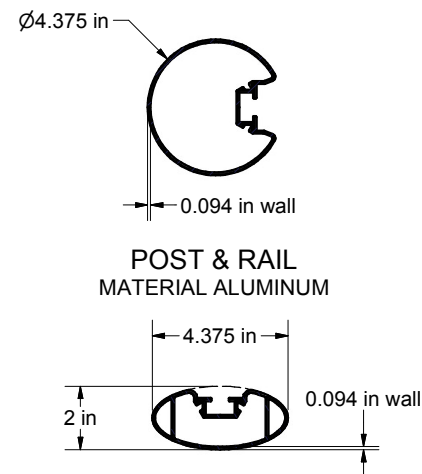
Drawn By: KFRisch
Date: 11/23/2010
Sheet: 2 of 4
Revision #:
Cad File: 2B3406W.idw

Desc:
8' X 24'
EVOLUTION 2.1 GOAL
w/ WHEELS

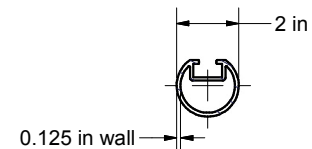
Finish Info.



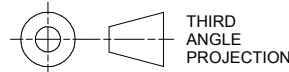
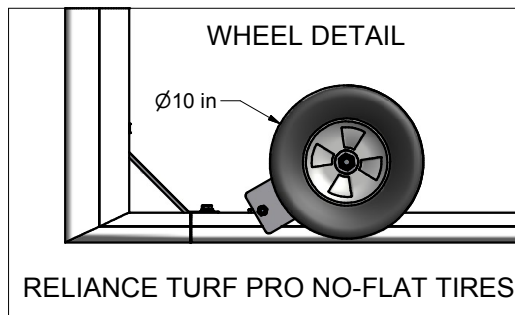
MATERIAL DETAILS



BACK BOTTOM BAR & BASES MATERIAL - ALUMINUM



BACKDROPS MATERIAL - ALUMINUM



DIMENSIONS ARE IN INCHES
UNLESS OTHERWISE SPECIFIED

This item is the **exclusive** property of **KWIK GOAL LTD.** Reproduction or duplication **without** the express written consent of **KWIK GOAL LTD.** is **strictly forbidden.**



Approved By:

Date:

Drawn By: KFrish

Date: 11/23/2010

Sheet: 3 of 4

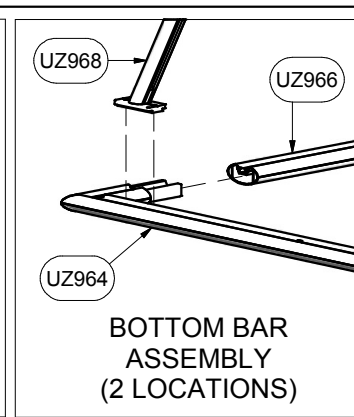
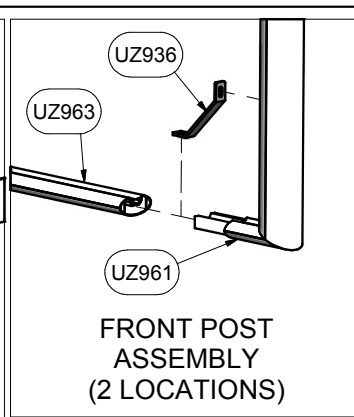
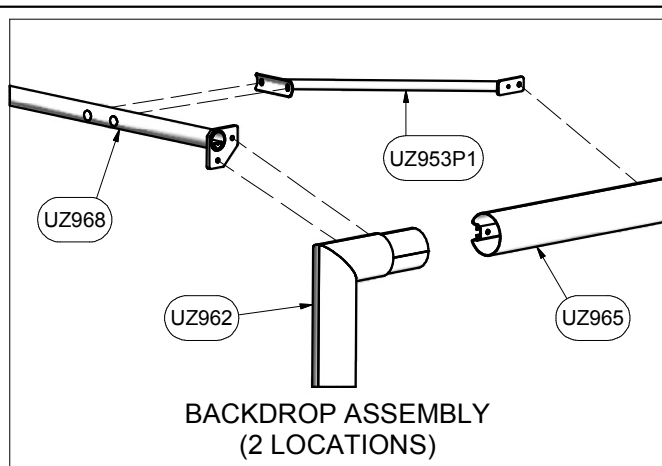
Revision #:

Cad File: 2B3406W.idw

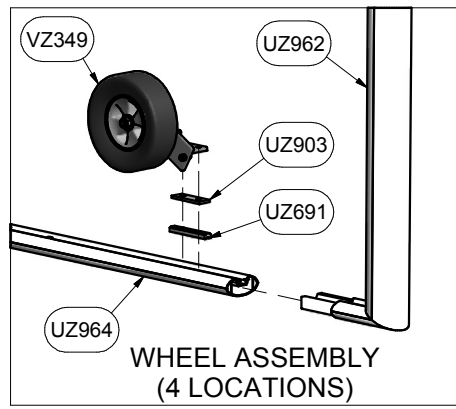
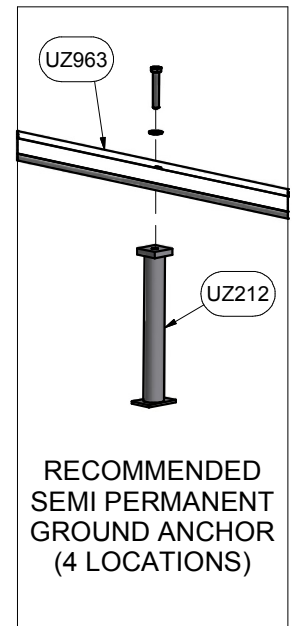
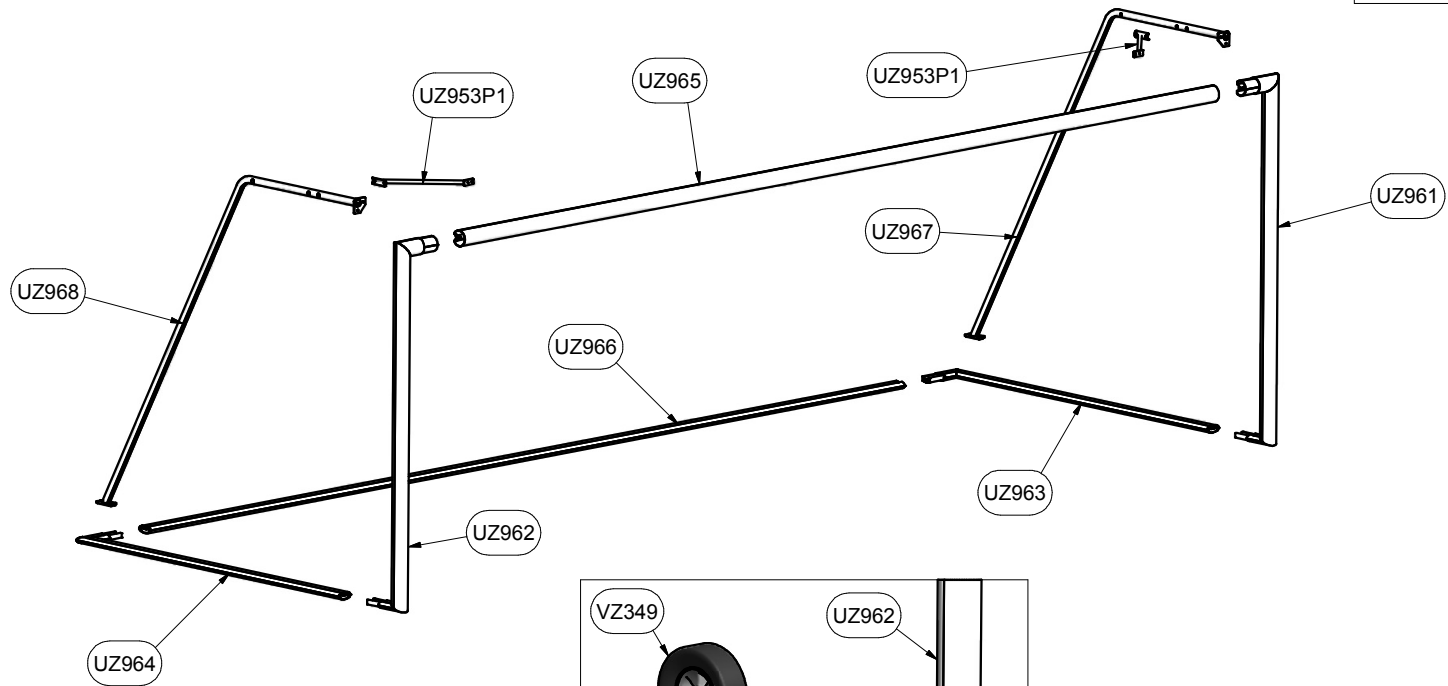
Part #:
2B3406W

Desc:
8' X 24'
EVOLUTION 2.1 GOAL
w/ WHEELS

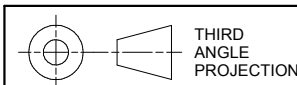
Finish Info.



Parts List		
Part #	Qty	Description
UZ967	1	BACKDROP, EVOLUTION, RIGHT SIDE
UZ953P1	2	BACKDROP BRACE
UZ968	1	BACKDROP, EVOLUTION, LEFT SIDE
UZ936	2	POST BRACE
UZ212	4	GROUND ANCHOR ASSEMBLY
UZ963	1	RIGHT BASE ASSEMBLY, 2B3406
UZ966	1	BACK BOTTOM BAR, 2B3406
UZ964	1	LEFT BASE ASSEMBLY, 2B3406
UZ961	1	RIGHT POST ASSEMBLY, 2B3406
UZ965	1	RAIL, 2B3406
UZ962	1	LEFT POST ASSEMBLY, 2B3406
3B2101	1	NET, 3MM ROPE, 5-1/2" MESH
VZ349	4	FLAT PROOF TIRE
UZ691	4	Threaded Channel Spacer
UZ903	4	Wheel Mounting Spacer, 10B403



Finish Info.



DIMENSIONS ARE IN INCHES UNLESS OTHERWISE SPECIFIED

This item is the **exclusive** property of **KWIK GOAL LTD.** Reproduction or duplication **without** the express written consent of **KWIK GOAL LTD.** is **strictly forbidden.**



Approved By:
Date:

Drawn By: KFrish
Date: 11/23/2010
Sheet: 4 of 4
Revision #:
Cad File: 2B3406W.idw

Part #:
2B3406W

Desc:
8' X 24'
EVOLUTION 2.1 GOAL
w/ WHEELS