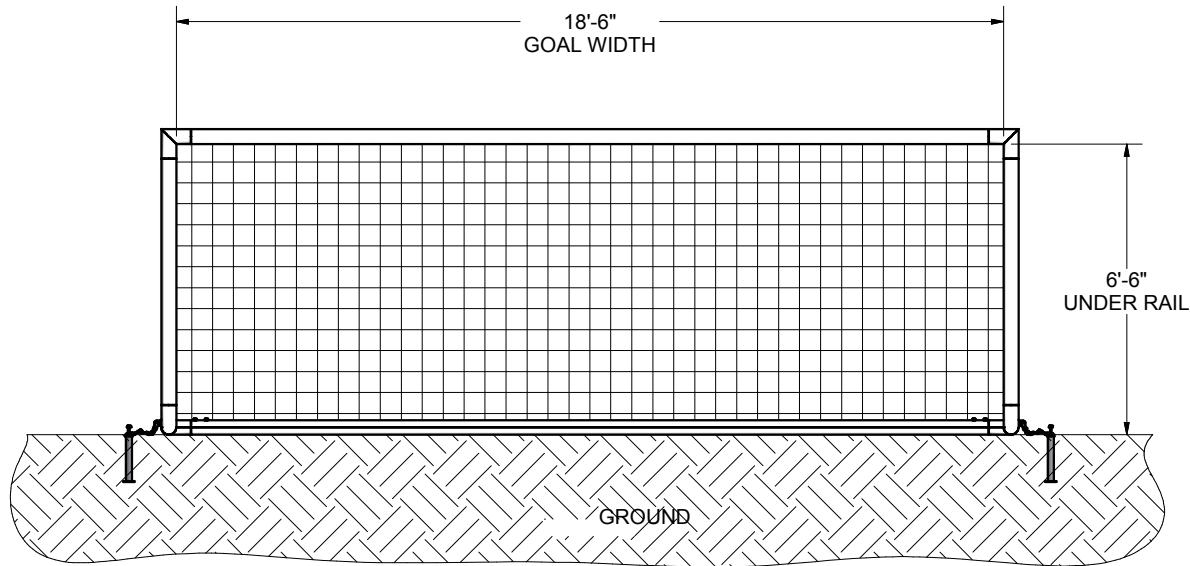
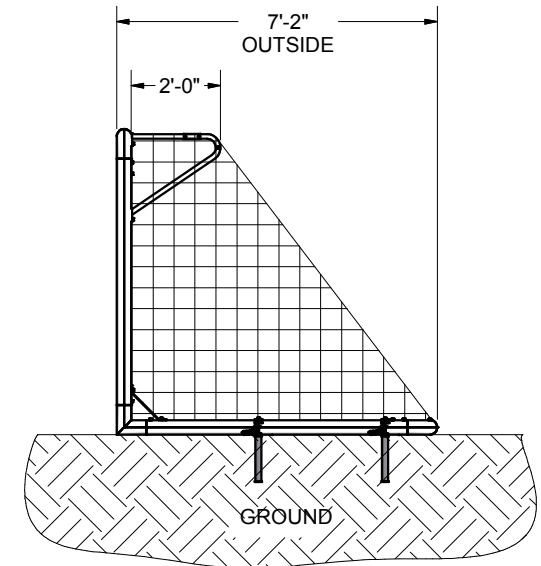


FRONT VIEW



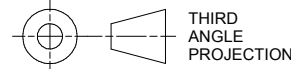
SIDE VIEW



FEATURES:

- 1) ALUMINUM GOAL FRAME AND BACKDROPS
- 2) FINISH: WHITE POWDER COAT
- 3) INCLUDED:
  - SEMI PERMANENT GROUND ANCHORS
  - 3 mm, WHITE NET
  - KWIK LOCK® NET CLIPS
- 4) ASSEMBLED GOAL WEIGHT: 168 LBS.
- 5) EXCEEDS:
  - ASTM F2056-09 STANDARDS
  - ASTM F2673-08 STANDARDS

**Finish Info.**



THIRD  
ANGLE  
PROJECTION



140 Pacific Drive  
Quakertown,  
Pa. 18951

DIMENSIONS ARE IN INCHES  
UNLESS OTHERWISE SPECIFIED

This item is the **exclusive**  
property of **KWIK GOAL LTD.**  
Reproduction or duplication  
**without** the express written  
consent of **KWIK GOAL LTD.**  
is **strictly forbidden.**

Approved By:

Date:

Drawn By: kfrisch

Date: 6/7/2011

Sheet: 1 of 4

Revision #: -

Cad File: 2B3804.idw

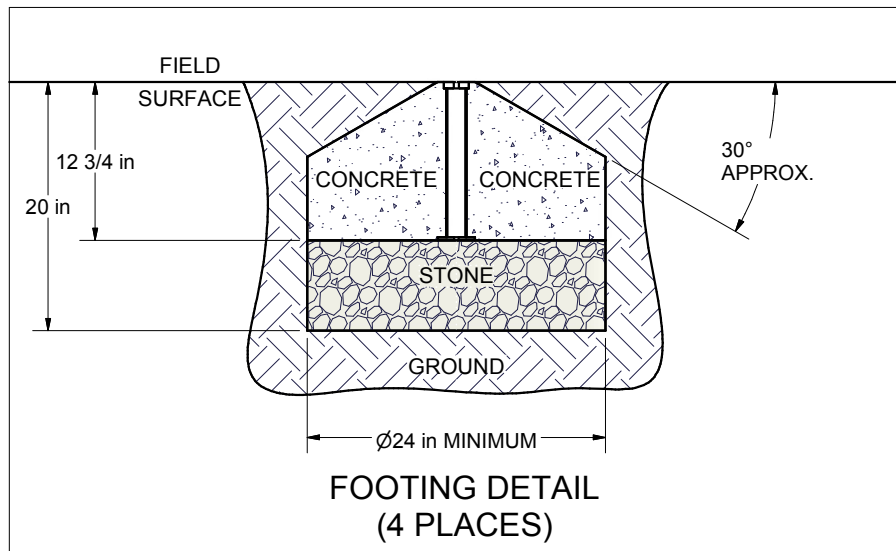
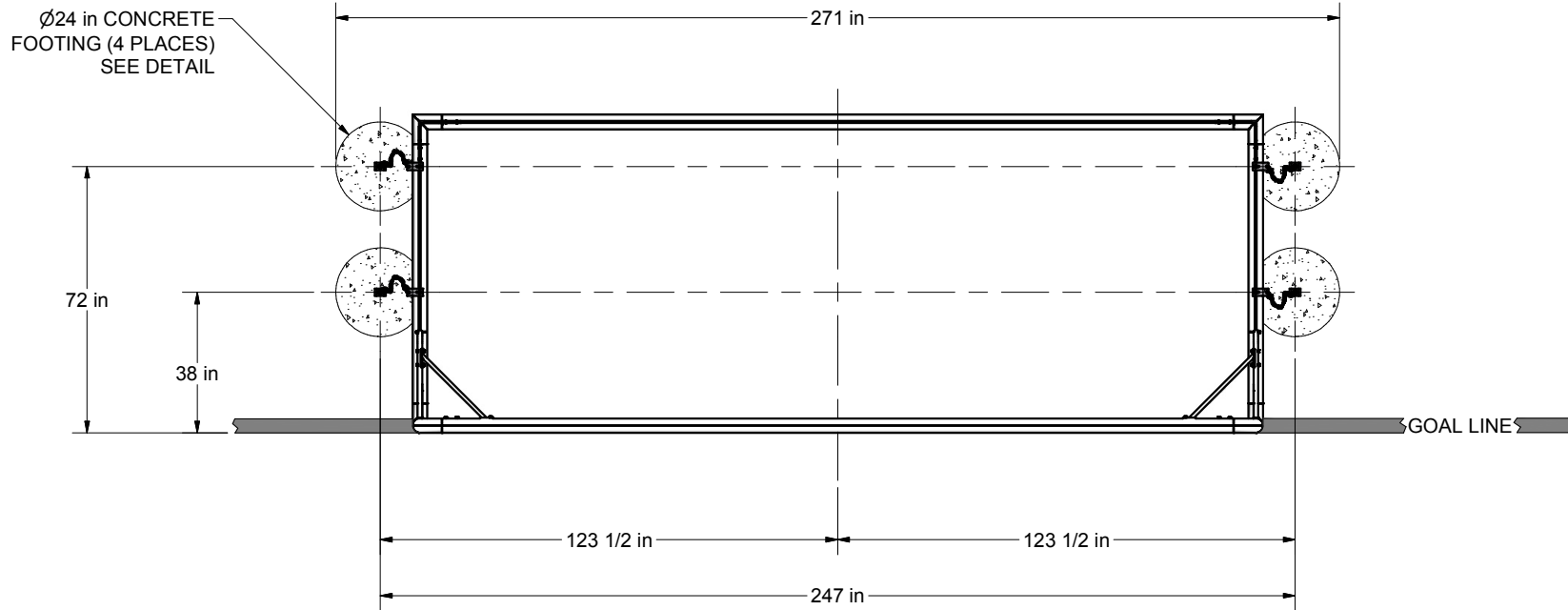
Part #:

**2B3804**

Desc:

6-1/2' X 18-1/2' FUSION  
GOAL

### OVERHEAD VIEW



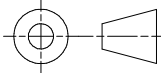

#### NOTES:

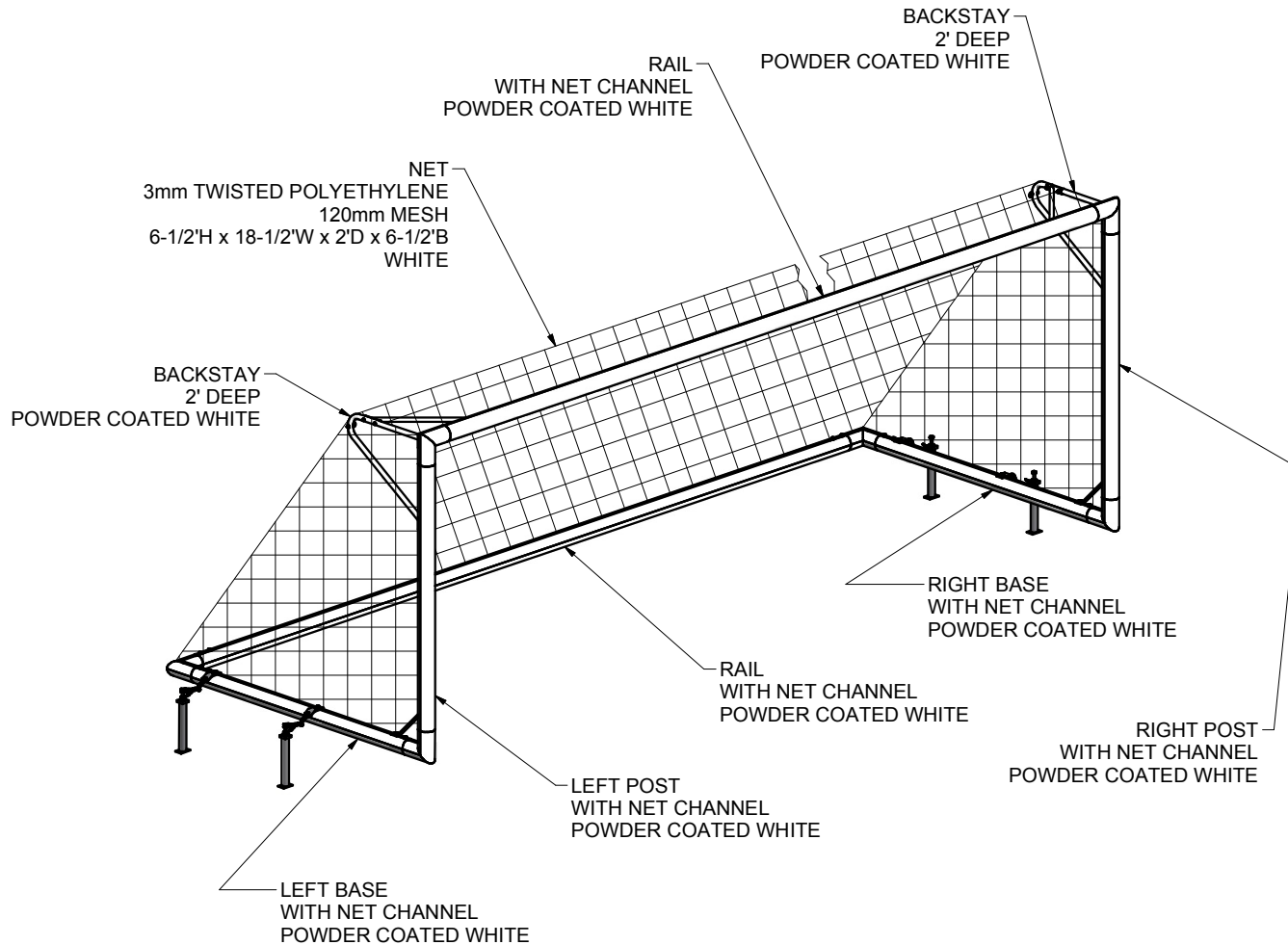
- 1) DIMENSIONS ARE FOR PLANNING PURPOSES. INSTALLATION MUST BE IN ACCORDANCE WITH INSTALLATION INSTRUCTIONS.

#### MATERIAL REQUIRED, BUT **NOT** SUPPLIED

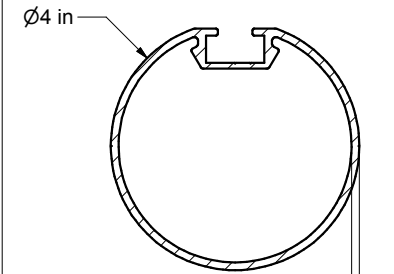
- 0.5 cubic yard - CONCRETE
  - 0.3 cubic yard - CLEAN STONE (1/4" - 3/4")
- ABOVE AMOUNTS ARE PER GOAL INSTALLATION

**Finish Info.**

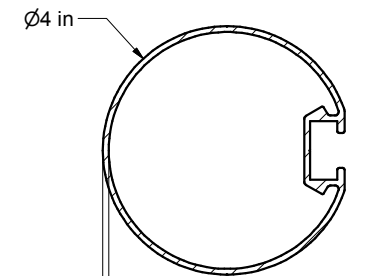
 THIRD ANGLE PROJECTION	 140 Pacific Drive Quakertown, Pa. 18951	
DIMENSIONS ARE IN INCHES UNLESS OTHERWISE SPECIFIED	<i>Approved By:</i>	<i>Part #:</i>  <b>2B3804</b>
	<i>Date:</i>	
This item is the <b>exclusive</b> property of <b>KWIK GOAL LTD.</b> Reproduction or duplication <b>without</b> the express written consent of <b>KWIK GOAL LTD.</b> is <b>strictly forbidden.</b>	<i>Drawn By:</i> kfrisch	<i>Desc:</i>  6-1/2' X 18-1/2' FUSION GOAL
	<i>Date:</i> 6/7/2011	
	<i>Sheet:</i> 2 of 4	
	<i>Revision #:</i> -	
<i>Cad File:</i> 2B3804.idw		



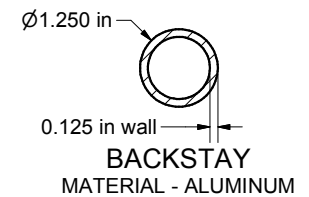
MATERIAL DETAILS



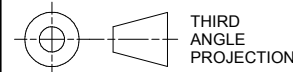
POSTS, BASES & CORNERS MATERIAL - ALUMINUM



RAILS MATERIAL - ALUMINUM



BACKSTAY MATERIAL - ALUMINUM



DIMENSIONS ARE IN INCHES UNLESS OTHERWISE SPECIFIED

Approved By:

Part #:

Date:

2B3804

This item is the **exclusive** property of **KWIK GOAL LTD.** Reproduction or duplication **without** the express written consent of **KWIK GOAL LTD.** is **strictly forbidden.**

Drawn By: kfrisch

Date: 6/7/2011

Sheet: 3 of 4

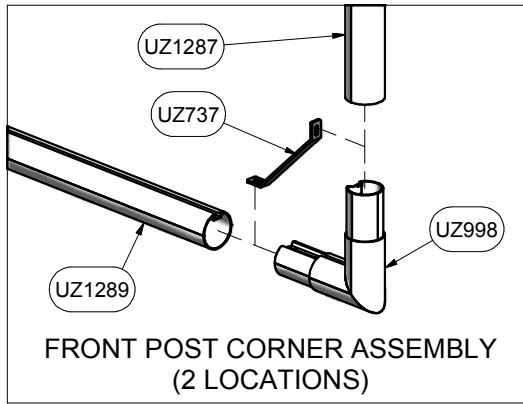
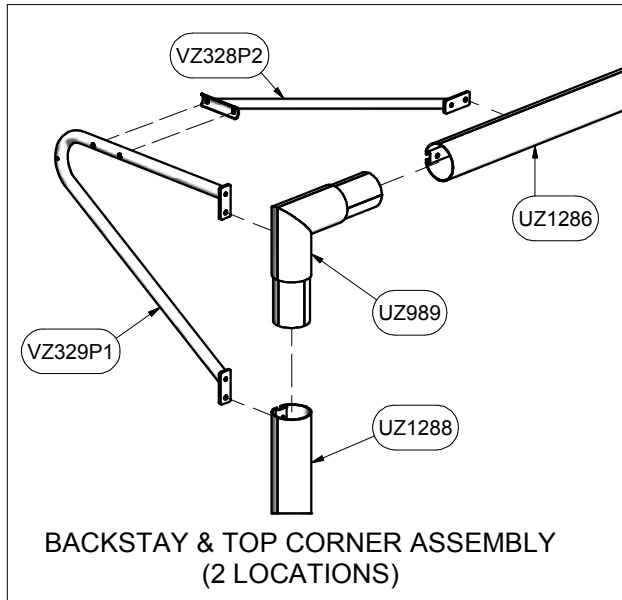
Revision #: -

Cad File: 2B3804.idw

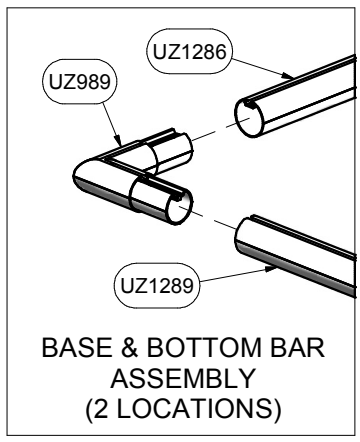
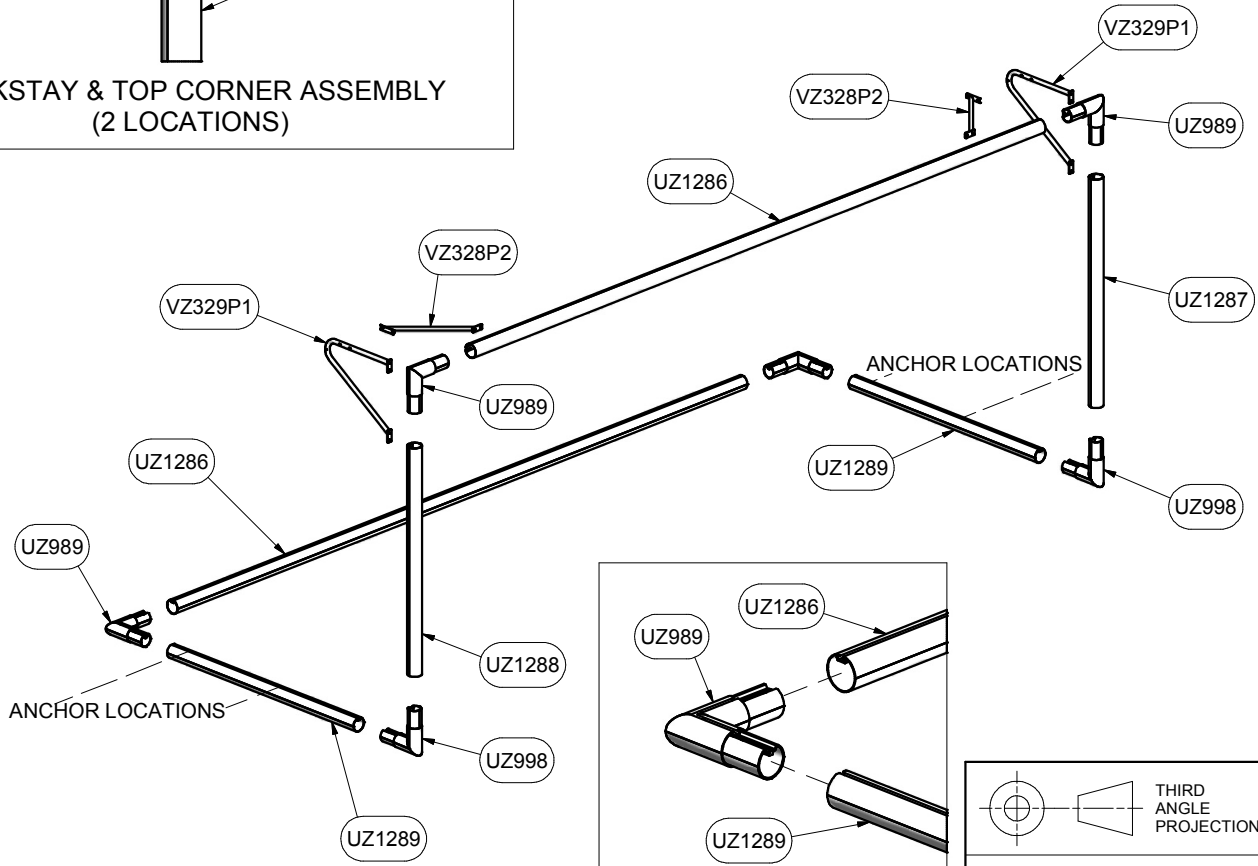
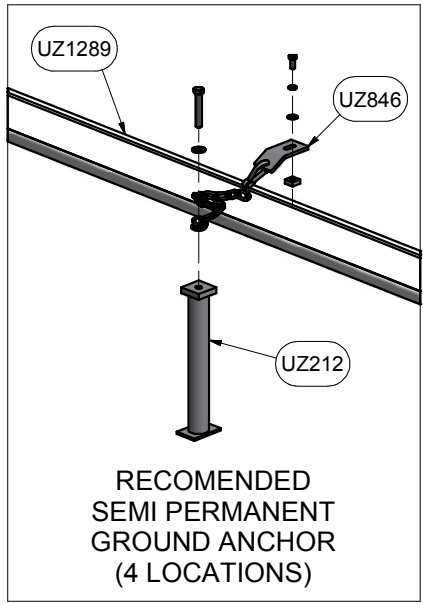
Desc:

6-1/2' X 18-1/2' FUSION GOAL

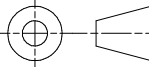
Finish Info.



Parts List		
Part #	Qty	Description
UZ998	2	POST CORNER, 4 RND V-TRACK2
UZ1289	2	2B3804 BASE
UZ1287	1	2B3804 RIGHT POST
UZ989	4	RAIL CORNER, 4 RND V-TRACK2
UZ1286	2	RAIL, 4 RND V-TRACK2
UZ1288	1	2B3804 LEFT POST
UZ212	4	GROUND ANCHOR ASSEMBLY
UZ737	2	Front Post Brace
UZ846	4	Chain Assembly, Grnd Anchor
3B5721	1	NET, 3MM ROPE, 120MM MESH
VZ328P2	2	BACKSTAY BRACE
VZ329P1	2	BACKSTAY




Finish Info.

 THIRD ANGLE PROJECTION

DIMENSIONS ARE IN INCHES UNLESS OTHERWISE SPECIFIED

This item is the **exclusive** property of **KWIK GOAL LTD.** Reproduction or duplication **without** the express written consent of **KWIK GOAL LTD.** is **strictly forbidden.**

 140 Pacific Drive  
Quakertown,  
Pa. 18951

Approved By:	Part #:
Date:	<b>2B3804</b>
Drawn By: kfrisch	Desc:
Date: 6/7/2011	6-1/2' X 18-1/2' FUSION GOAL
Sheet: 4 of 4	
Revision #: -	
Cad File: 2B3804.idw	