



**IMPORTANT GOAL SAFETY INSTRUCTIONS**  
**READ CAREFULLY**

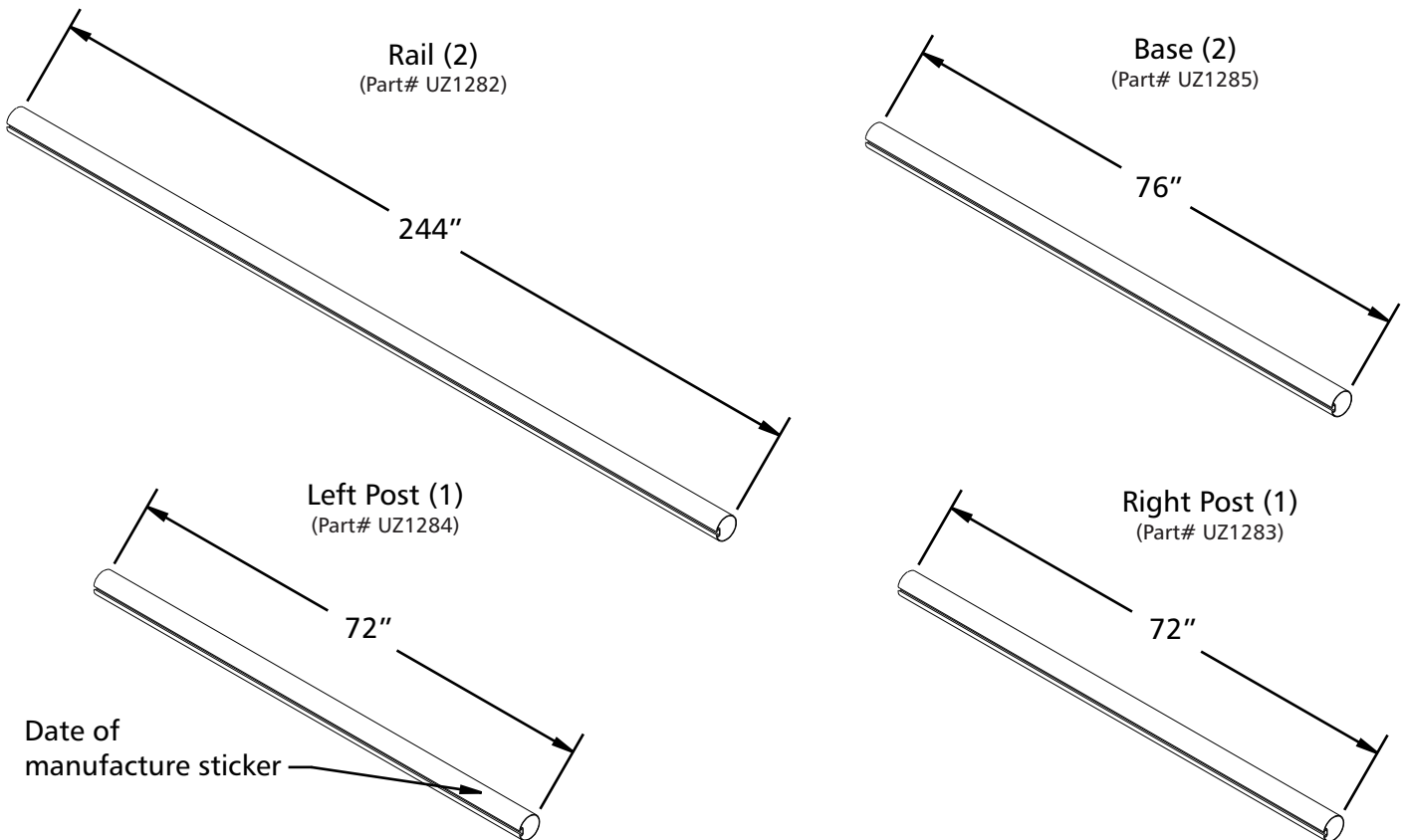
1. Check for structural integrity and proper connecting hardware before every use. Replace damaged or missing parts or fasteners immediately.
2. Safety/Warning labels must be clearly visible.
3. Securely anchor moveable soccer goals at ALL times.
4. Always instruct players, managers, coaches, trainers, teachers, maintenance workers and all other personnel who might come in contact with the goal, on the safe handling of and potential dangers associated with moveable soccer goals.
5. Always exercise extreme caution when moving goals and provide adequate manpower to move goals of varied sizes and weights. Moveable soccer goals should only be moved by authorized personnel.
6. NEVER allow anyone to climb on the net or goal framework.
7. Moveable soccer goals should only be used on LEVEL fields, NEVER on a slope or hill area.
8. Remove nets when goals are not in use.
9. Most of the tip-over injuries occurred when goals were unattended. Anchor or chain one goal to another or to nearby fence posts, dugouts, or any other similar sturdy fixture when not in use. If this is not practical, store moveable soccer goals in a place where children cannot have access to them.
10. Fully disassemble goals for seasonal storage.



All Kwik Goal products carry a **Lifetime Guarantee**. For help with guarantee issues visit [kwikgoal.com](http://kwikgoal.com) and click on the **Lifetime Guarantee** logo or contact customer service at 1-800-531-4252.

### ASSEMBLY INSTRUCTIONS FOR 2B3805 FUSION™ GOAL

1. Unpack all parts and check for damage that may have occurred during shipping. If damage has occurred, notify trucking company immediately. Lay out all parts. Remove all cardboard and packaging immediately. Wet or damp packaging may damage contents.
2. All hardware and ground anchors are in a separate box(es) shipped with goals.
3. A minimum of two qualified persons are required to assemble this goal.



**\*\*\*CAUTION\*\*\***

**This goal has been designed to be used for the game of soccer only. Goal posts must be anchored AT ALL TIMES and shall be secured against overturning. Do not climb on the net or goal framework at anytime!**

**All fastenings must be checked to insure they are fully tightened before and after each use of this product. Goal posts not in use must be disassembled and properly stored in a safe, secure area. (See included Guidelines for Moveable Soccer Goal Safety.) Assembled goal posts should not be left unattended. Remove nets when goals are not in use. Do not use this equipment during the threat of high winds. Goal posts should be checked for safety before and after each use. All warning and safety labels included with this product must be visible at all times. Any modifications to this or any Kwik Goal product will void any and all warranties.**

140 Pacific Drive Quakertown, PA 18951

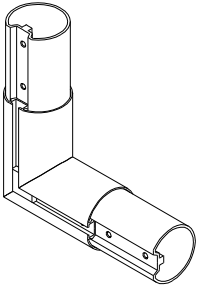
(P) 215-536-2200 / (P) 800-531-4252 / (F) 215-536-4309 / (F) 800-778-8869

Visit our website @ [kwikgoal.com](http://kwikgoal.com)

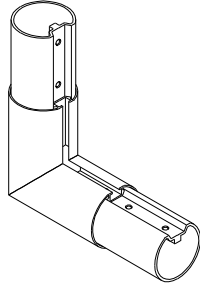
©2011 Kwik Goal Ltd.

NZ323 Rev. 12/08/11

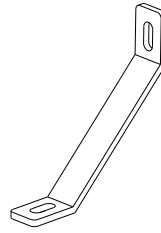
Rail Corner (4)  
(Part# UZ989)



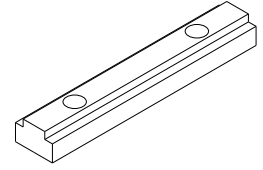
Post Corner (2)  
(Part# UZ998)



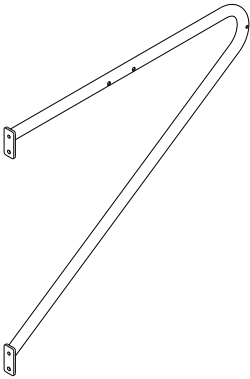
Post Brace (2)  
(Part# UZ737)



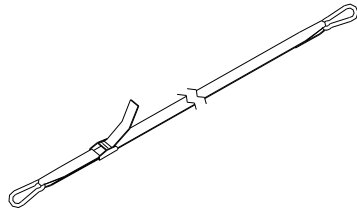
Channel Spacer (12)  
(Part# UZ812)



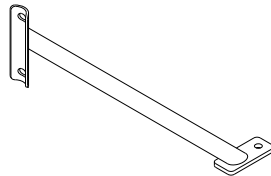
Backstay (2)  
(Part# VZ328P1)



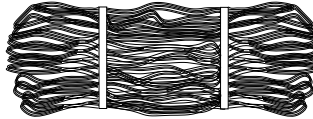
Net Strap (1)  
(Part# VZ601)



Backstay Brace (2)  
(Part# VZ328P2)



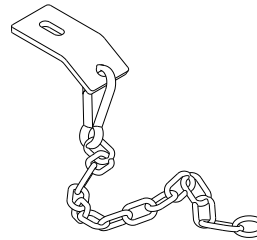
Net (1)  
(Part# 3B6825)



Net Clip (80)  
(Part# VZ116)



Chain (4)  
w/ Snap Link & Anchor Plate  
(Part# UZ846)



Ground Anchor (4)  
w/hardware  
(Part# UZ212)



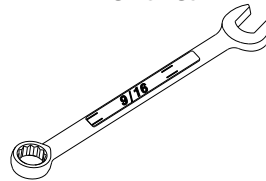
Hardware

Note: Hardware may be packaged separately in one or more boxes. Open all packages before beginning assembly.

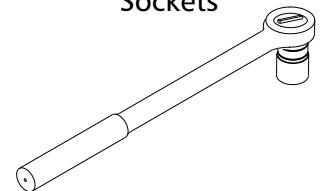
- 3/8" x 1 3/4" Hex Bolt (Part# TZ227) (28)
- 3/8" x 7/8" Hex Bolt (Part# TZ249) (10)
- 3/8" Lock Washer (Part# TZ65) (34)
- 3/8" Flat Washer (Part# TZ60) (38)
- 3/8" Lock Nut (Part# TZ197) (4)
- 3/8" Square Nut (Part# TZ247) (10)
- 5/16" Eyebolt (Part# TZ270) (2)
- 5/16" Flat Washer (Part# TZ269) (2)
- 5/16" Lock Nut (Part# TZ5) (2)

Assembly Tools

1/2", 9/16" & 3/4" Wrenches

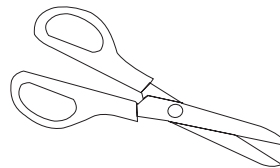


Ratchet with 1/2", 9/16" & 3/4" Sockets



AND

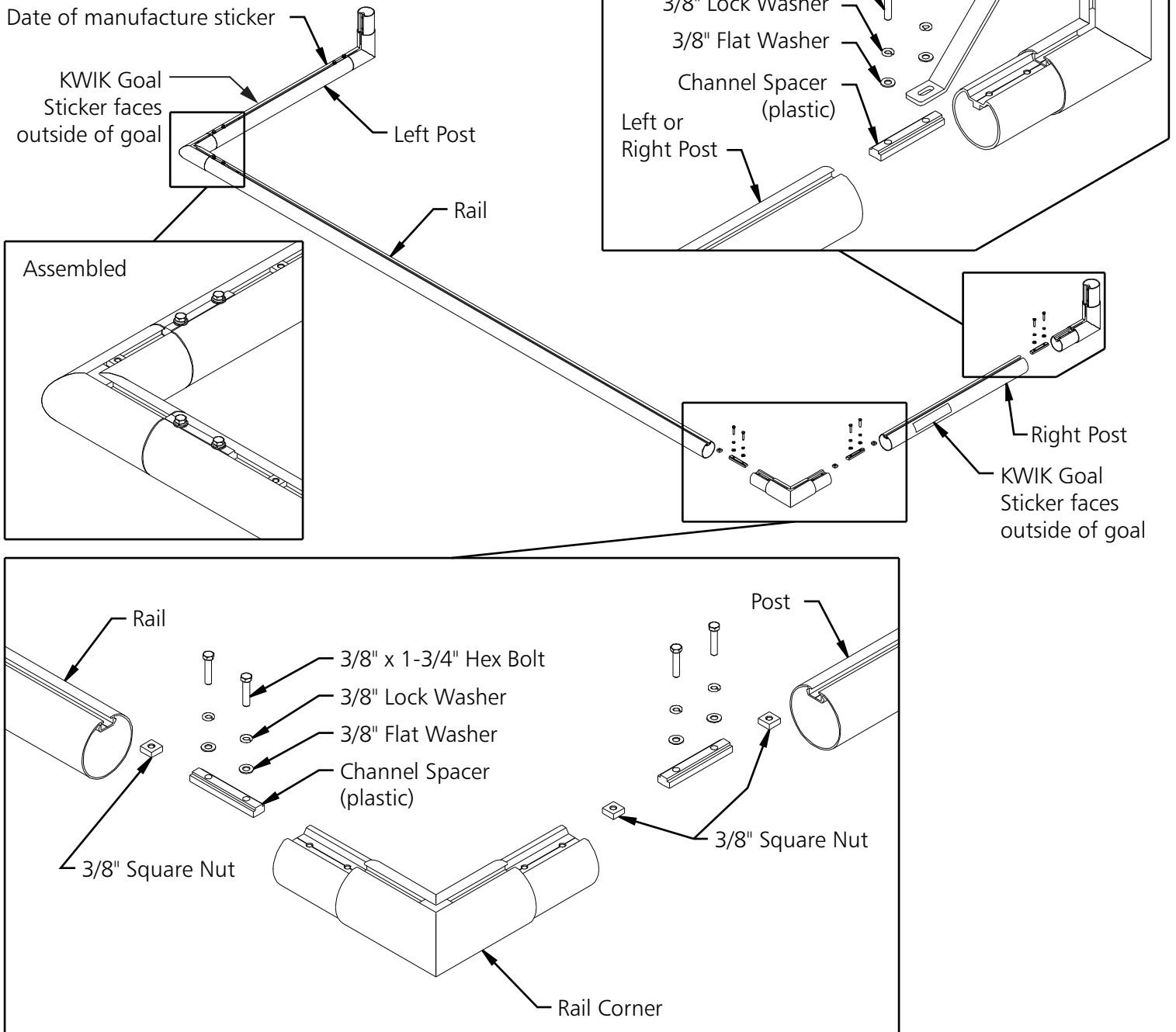
Scissors



\*\*\*CAUTION\*\*\*

**This goal has been designed to be used for the game of soccer only. Goal posts must be anchored AT ALL TIMES and shall be secured against overturning. Do not climb on the net or goal framework at anytime! All fastenings must be checked to insure they are fully tightened before and after each use of this product. Goal posts not in use must be disassembled and properly stored in a safe, secure area. (See included Guidelines for Moveable Soccer Goal Safety.) Assembled goal posts should not be left unattended. Remove nets when goals are not in use. Do not use this equipment during the threat of high winds. Goal posts should be checked for safety before and after each use. All warning and safety labels included with this product must be visible at all times. Any modifications to this or any Kwik Goal product will void any and all warranties.**

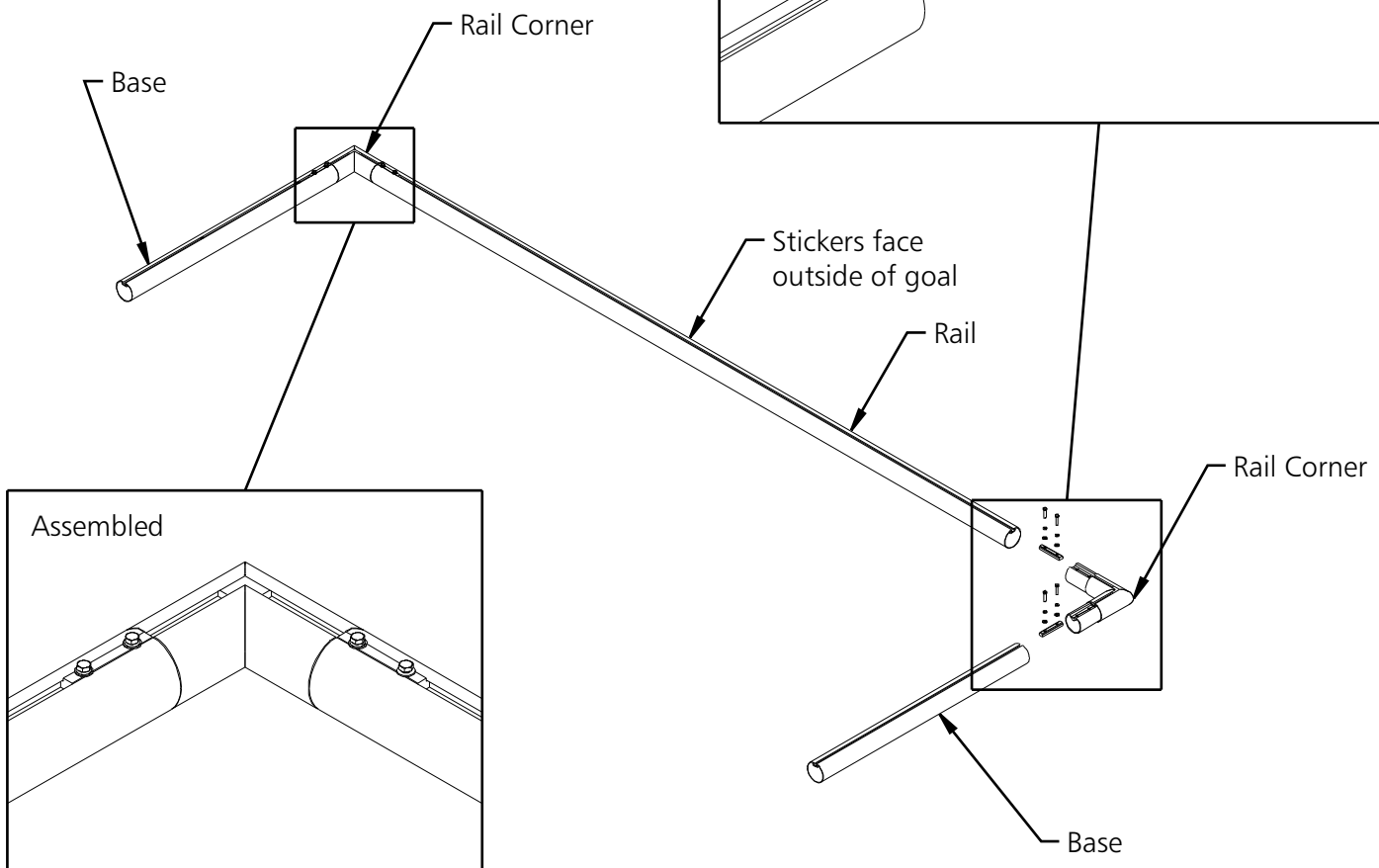
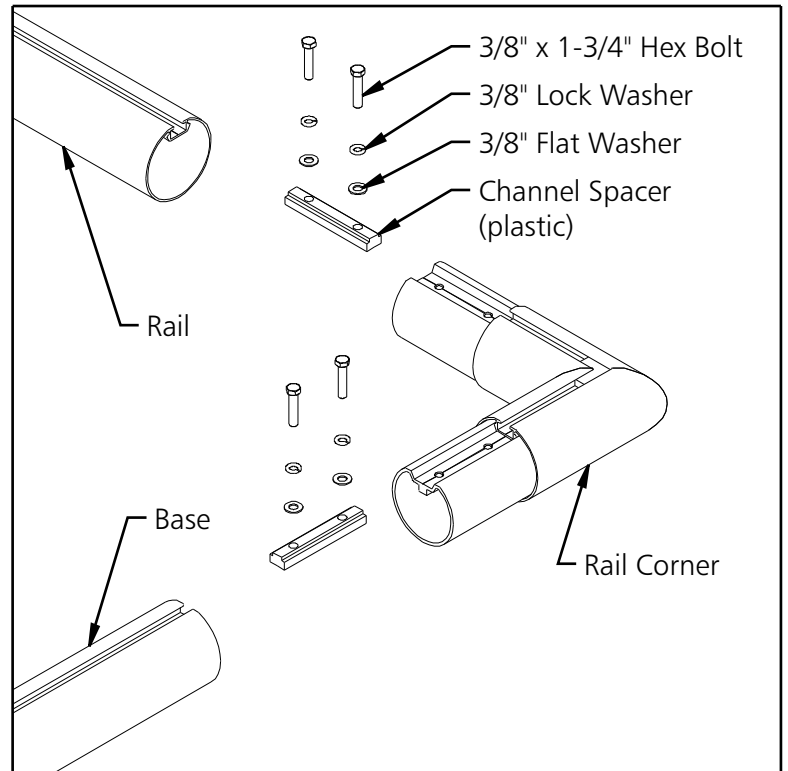
4. Assemble rail, posts, and rail corners. Note direction of stickers on rail and posts. Press joints together firmly before tightening bolts. Leave post brace bolts loose, tighten all others. Note: Square nuts will float loose in post until used later.



**\*\*\*CAUTION\*\*\***

**This goal has been designed to be used for the game of soccer only. Goal posts must be anchored AT ALL TIMES and shall be secured against overturning. Do not climb on the net or goal framework at anytime! All fastenings must be checked to insure they are fully tightened before and after each use of this product. Goal posts not in use must be disassembled and properly stored in a safe, secure area. (See included Guidelines for Moveable Soccer Goal Safety.) Assembled goal posts should not be left unattended. Remove nets when goals are not in use. Do not use this equipment during the threat of high winds. Goal posts should be checked for safety before and after each use. All warning and safety labels included with this product must be visible at all times. Any modifications to this or any Kwik Goal product will void any and all warranties.**

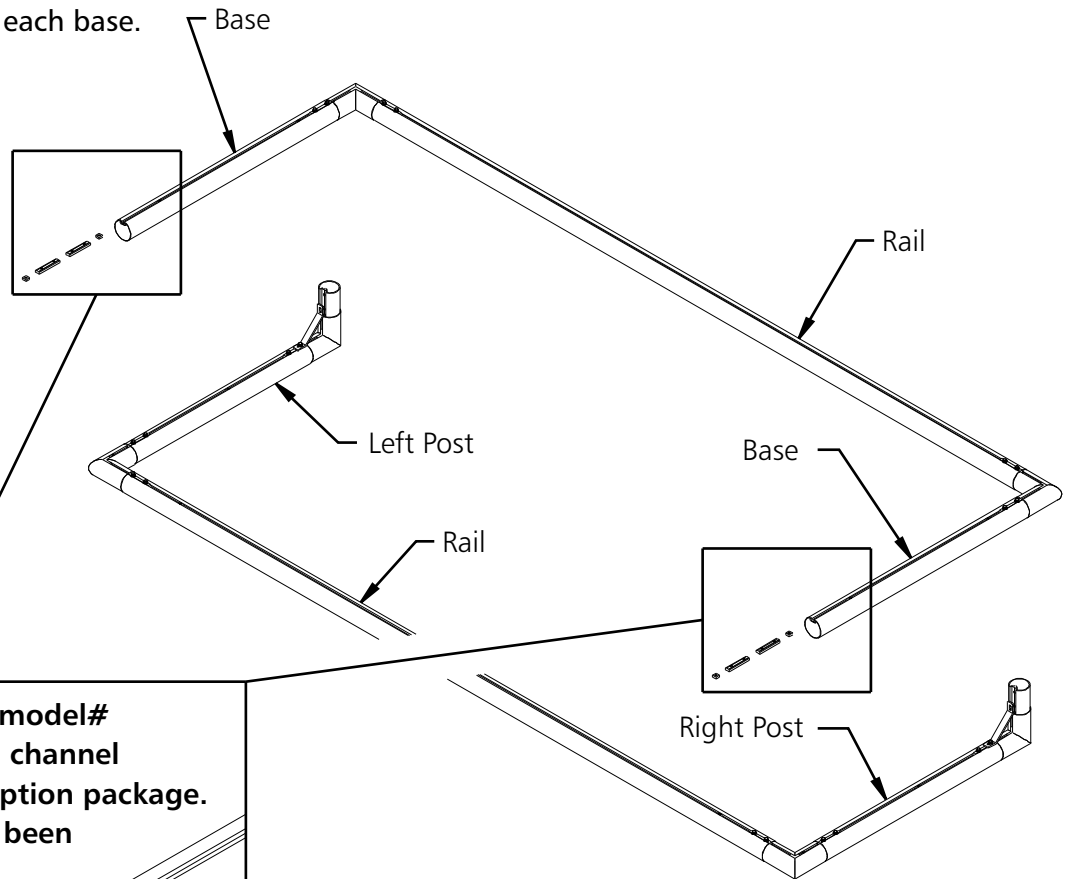
5. Assemble rail, bases, and rail corners. Press joints together firmly before tightening bolts.



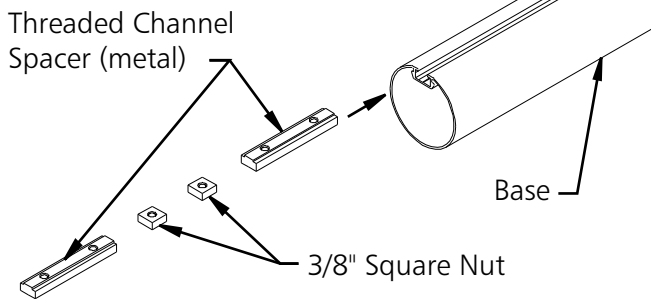
**\*\*\*CAUTION\*\*\***

**This goal has been designed to be used for the game of soccer only. Goal posts must be anchored AT ALL TIMES and shall be secured against overturning. Do not climb on the net or goal framework at anytime! All fastenings must be checked to insure they are fully tightened before and after each use of this product. Goal posts not in use must be disassembled and properly stored in a safe, secure area. (See included Guidelines for Moveable Soccer Goal Safety.) Assembled goal posts should not be left unattended. Remove nets when goals are not in use. Do not use this equipment during the threat of high winds. Goal posts should be checked for safety before and after each use. All warning and safety labels included with this product must be visible at all times. Any modifications to this or any Kwik Goal product will void any and all warranties.**

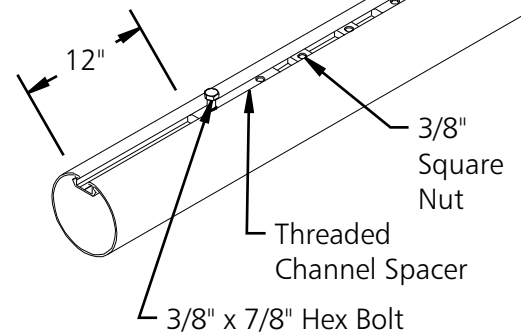
6. Insert two 3/8" square nuts and optional wheel hardware in each base.



If installing optional wheels (model# 10B409), insert two threaded channel spacers (metal) from wheel option package. Omit if wheel option has not been purchased.



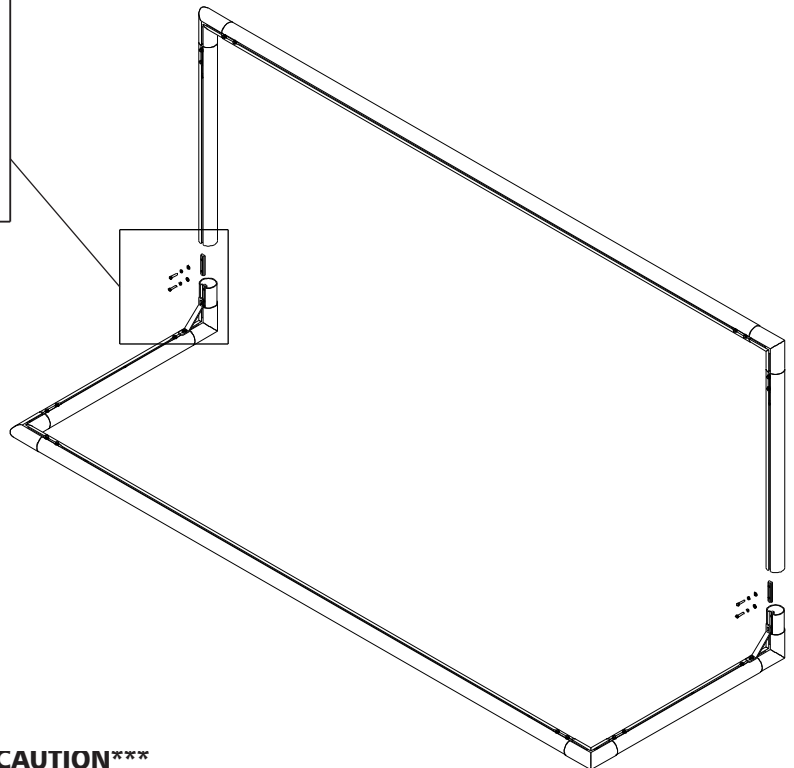
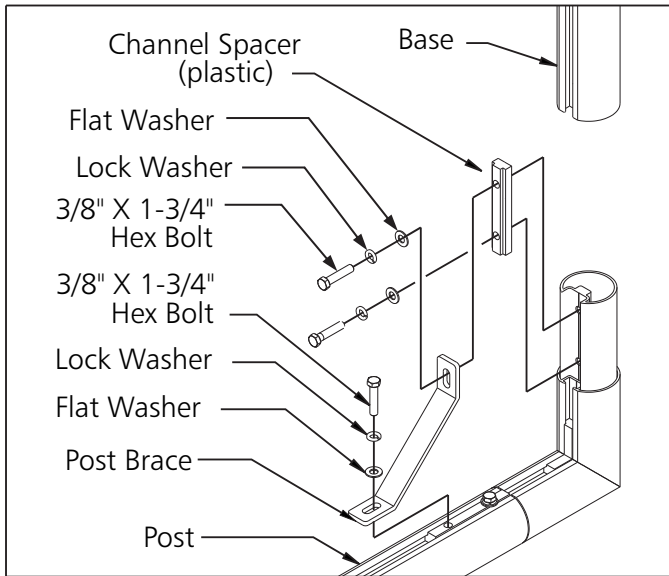
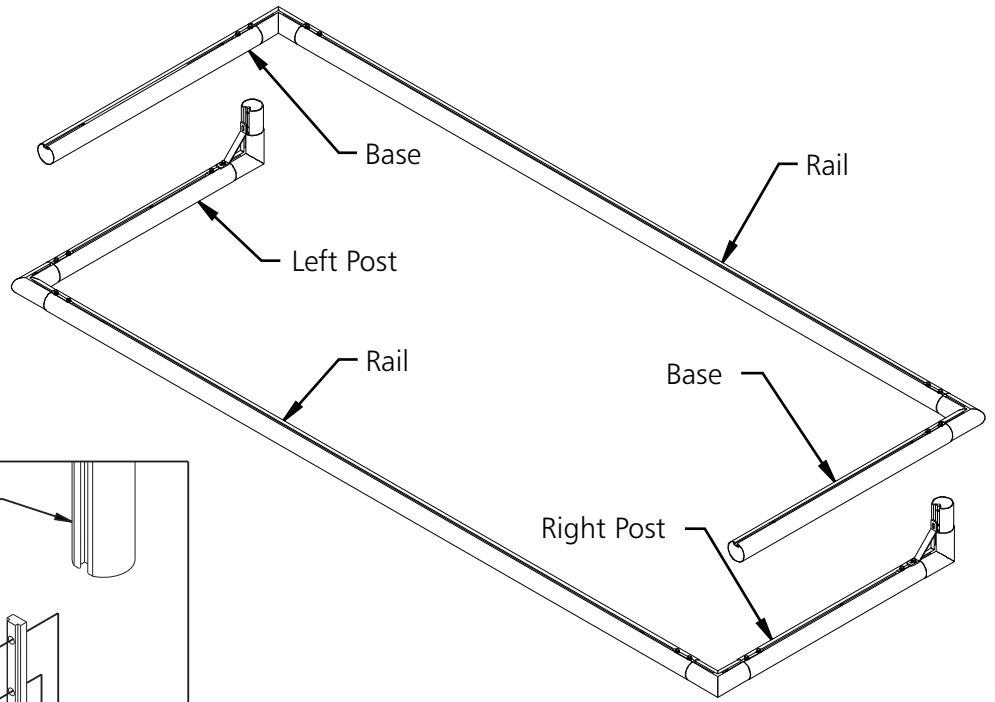
Temporarily install a 3/8" x 7/8" hex bolt to keep hardware from sliding out of channel. If not using threaded channel spacers, install bolt in 3/8" square nut. Tighten bolt hand tight.



**\*\*\*CAUTION\*\*\***

**This goal has been designed to be used for the game of soccer only. Goal posts must be anchored AT ALL TIMES and shall be secured against overturning. Do not climb on the net or goal framework at anytime! All fastenings must be checked to insure they are fully tightened before and after each use of this product. Goal posts not in use must be disassembled and properly stored in a safe, secure area. (See included Guidelines for Moveable Soccer Goal Safety.) Assembled goal posts should not be left unattended. Remove nets when goals are not in use. Do not use this equipment during the threat of high winds. Goal posts should be checked for safety before and after each use. All warning and safety labels included with this product must be visible at all times. Any modifications to this or any Kwik Goal product will void any and all warranties.**

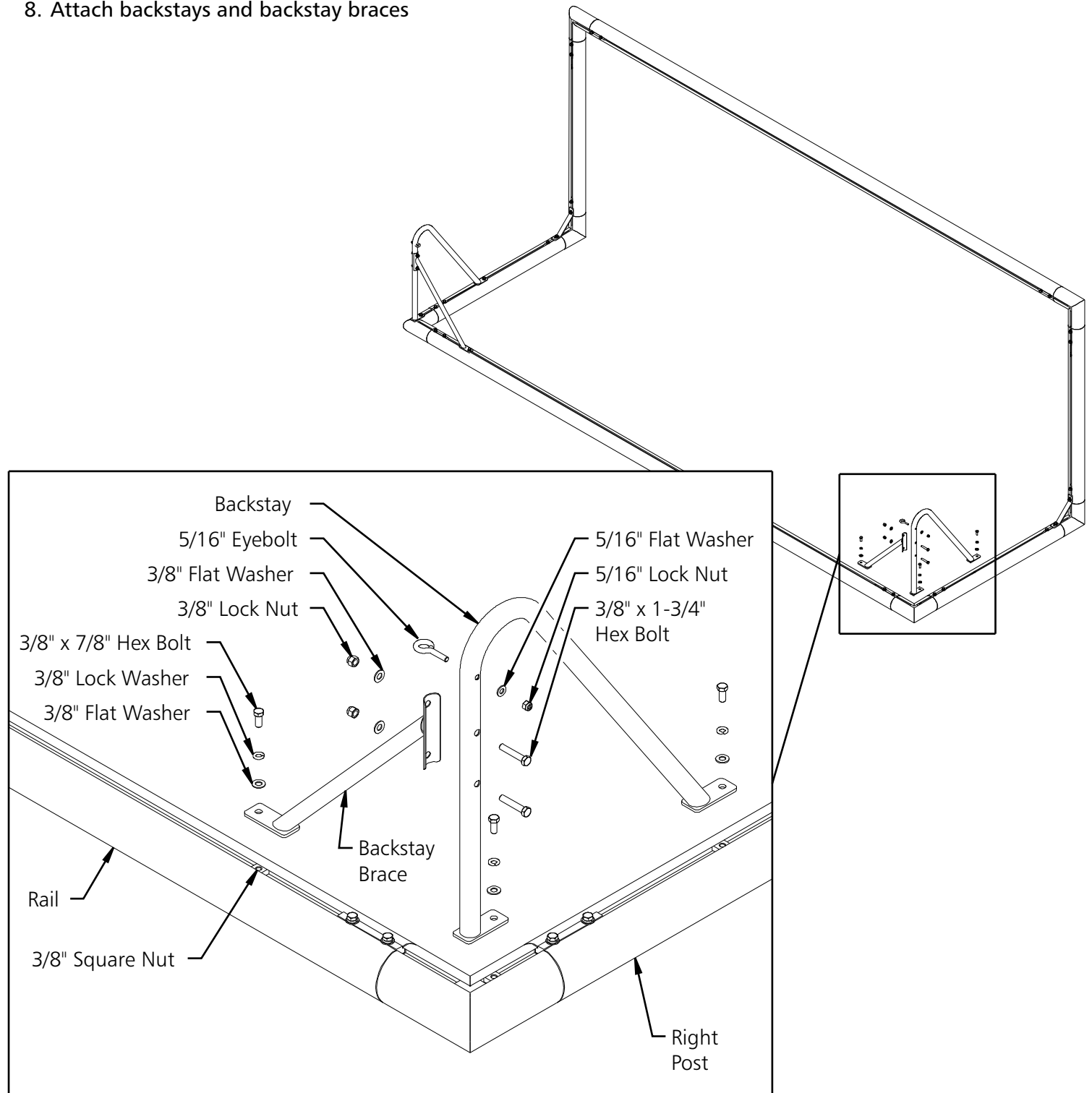
7. Lift assembled bases and insert into assembled posts. Be sure connections are pressed firmly together before tightening bolts. Be sure to tighten both bolts on each post brace.



**\*\*\*CAUTION\*\*\***

**This goal has been designed to be used for the game of soccer only. Goal posts must be anchored AT ALL TIMES and shall be secured against overturning. Do not climb on the net or goal framework at anytime! All fastenings must be checked to insure they are fully tightened before and after each use of this product. Goal posts not in use must be disassembled and properly stored in a safe, secure area. (See included Guidelines for Moveable Soccer Goal Safety.) Assembled goal posts should not be left unattended. Remove nets when goals are not in use. Do not use this equipment during the threat of high winds. Goal posts should be checked for safety before and after each use. All warning and safety labels included with this product must be visible at all times. Any modifications to this or any Kwik Goal product will void any and all warranties.**

## 8. Attach backstays and backstay braces

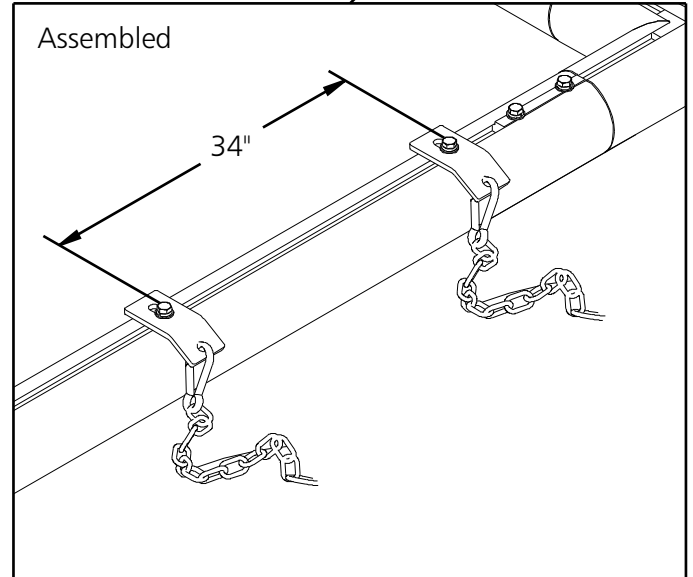
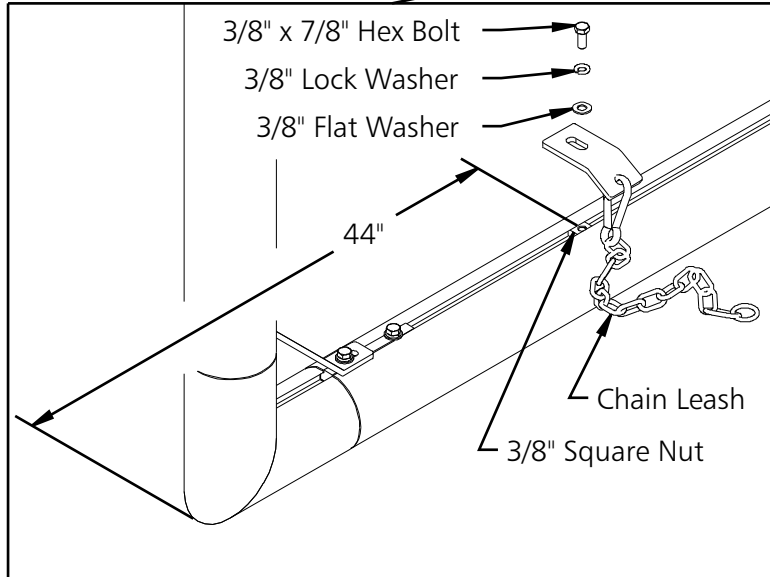
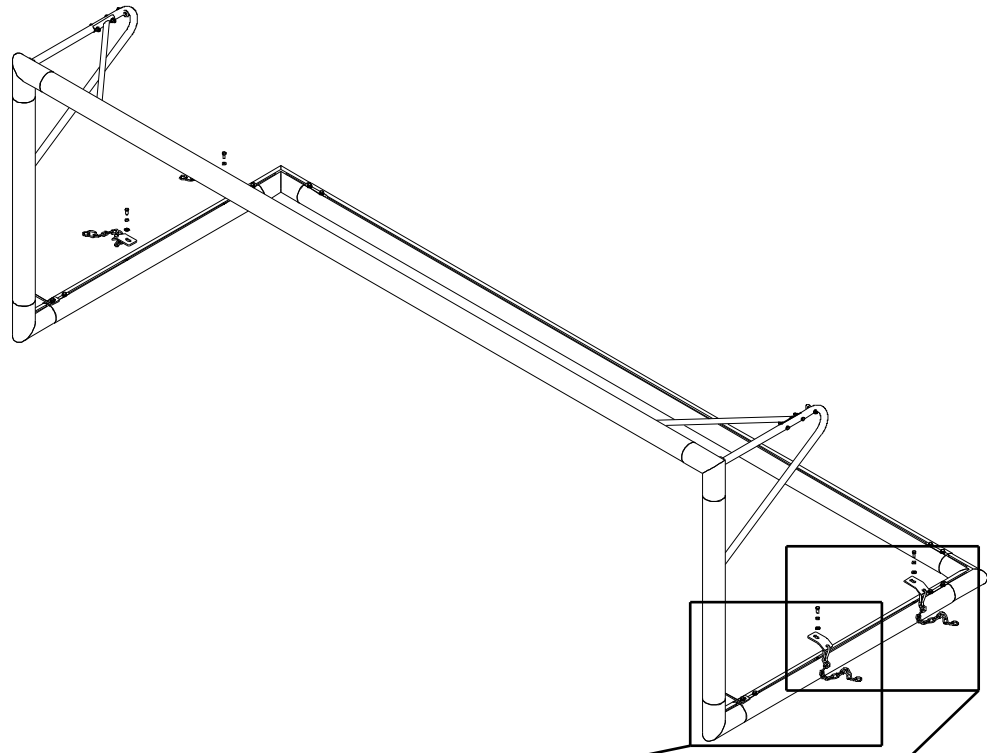


### \*\*\*CAUTION\*\*\*

**This goal has been designed to be used for the game of soccer only. Goal posts must be anchored AT ALL TIMES and shall be secured against overturning. Do not climb on the net or goal framework at anytime!**

**All fastenings must be checked to insure they are fully tightened before and after each use of this product. Goal posts not in use must be disassembled and properly stored in a safe, secure area. (See included Guidelines for Moveable Soccer Goal Safety.) Assembled goal posts should not be left unattended. Remove nets when goals are not in use. Do not use this equipment during the threat of high winds. Goal posts should be checked for safety before and after each use. All warning and safety labels included with this product must be visible at all times. Any modifications to this or any Kwik Goal product will void any and all warranties.**

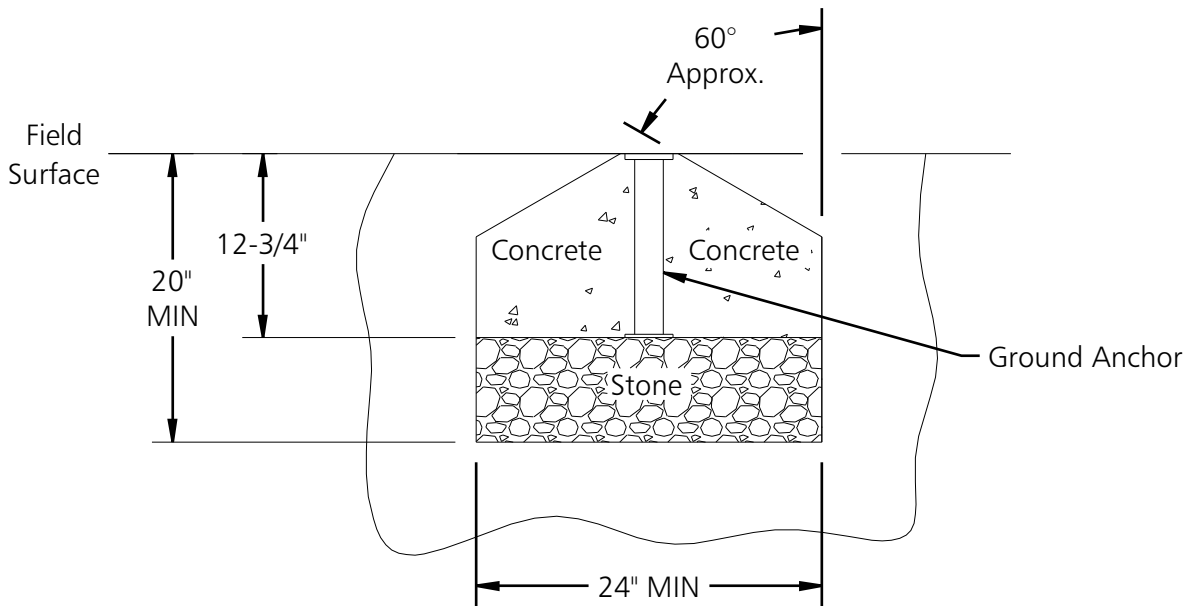
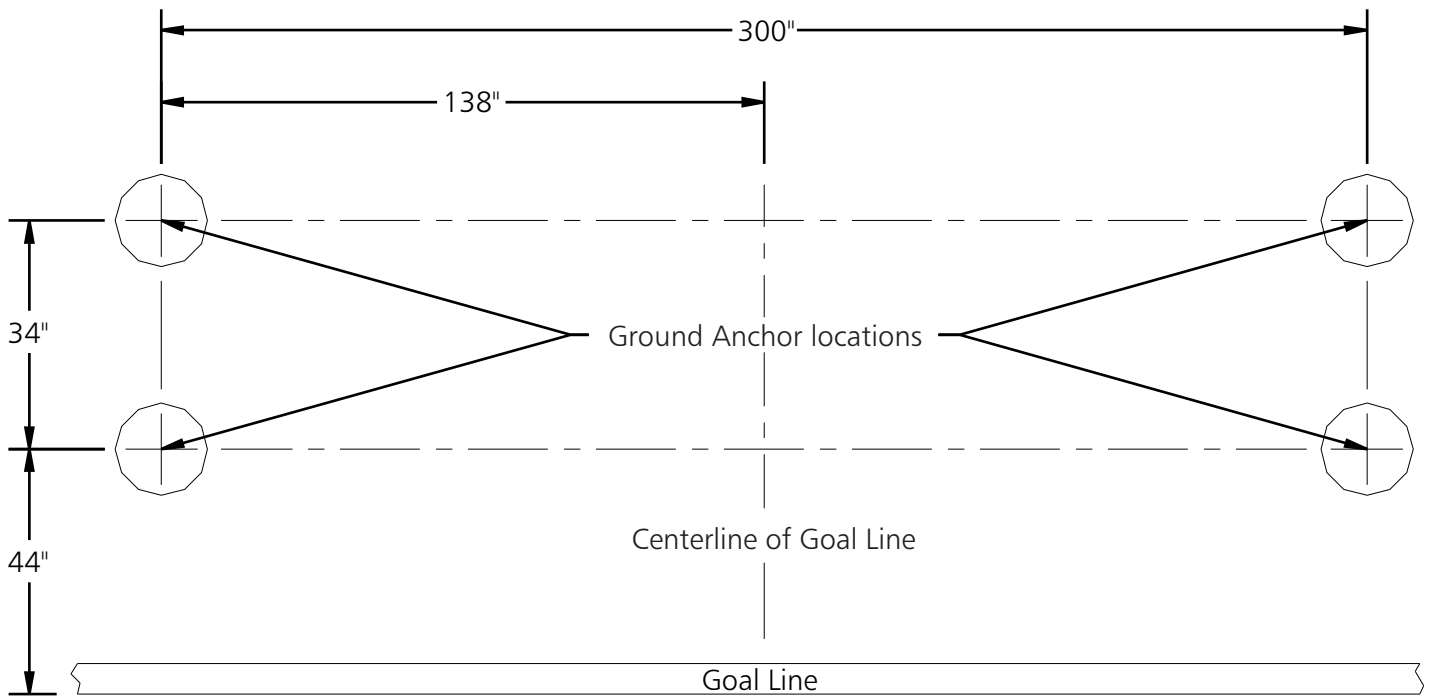
9. Turn goal on to it's bases and attach chain leashes.



**\*\*\*CAUTION\*\*\***

**This goal has been designed to be used for the game of soccer only. Goal posts must be anchored AT ALL TIMES and shall be secured against overturning. Do not climb on the net or goal framework at anytime! All fastenings must be checked to insure they are fully tightened before and after each use of this product. Goal posts not in use must be disassembled and properly stored in a safe, secure area. (See included Guidelines for Moveable Soccer Goal Safety.) Assembled goal posts should not be left unattended. Remove nets when goals are not in use. Do not use this equipment during the threat of high winds. Goal posts should be checked for safety before and after each use. All warning and safety labels included with this product must be visible at all times. Any modifications to this or any Kwik Goal product will void any and all warranties.**

10. Mark ground anchor hole locations. Prepare holes, install ground anchors and pour concrete.

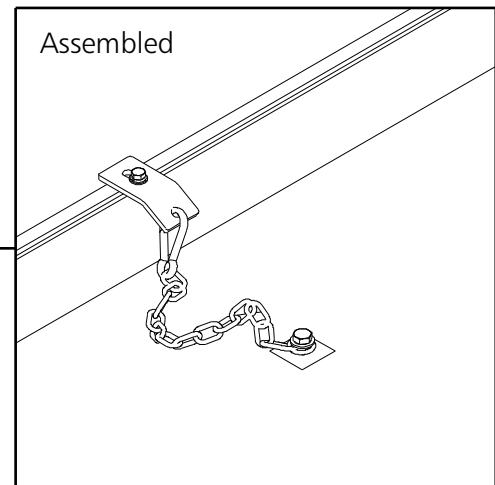
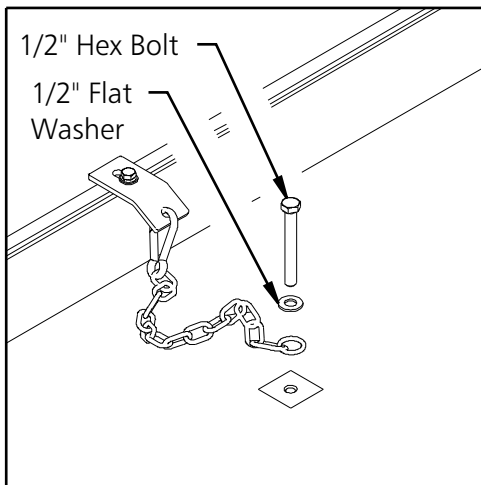
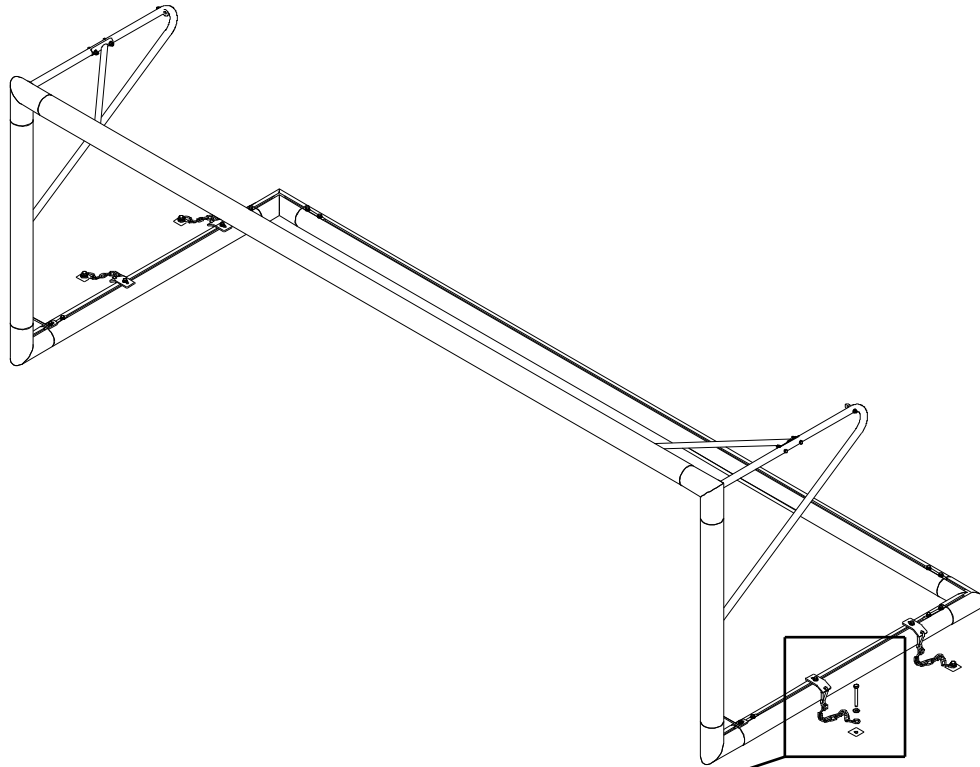


Anchor Hole Detail  
(4 places per goal)

\*\*\*CAUTION\*\*\*

This goal has been designed to be used for the game of soccer only. Goal posts must be anchored **AT ALL TIMES** and shall be secured against overturning. Do not climb on the net or goal framework at anytime! All fastenings must be checked to insure they are fully tightened before and after each use of this product. Goal posts not in use must be disassembled and properly stored in a safe, secure area. (See included Guidelines for Moveable Soccer Goal Safety.) Assembled goal posts should not be left unattended. Remove nets when goals are not in use. Do not use this equipment during the threat of high winds. Goal posts should be checked for safety before and after each use. All warning and safety labels included with this product must be visible at all times. Any modifications to this or any Kwik Goal product will void any and all warranties.

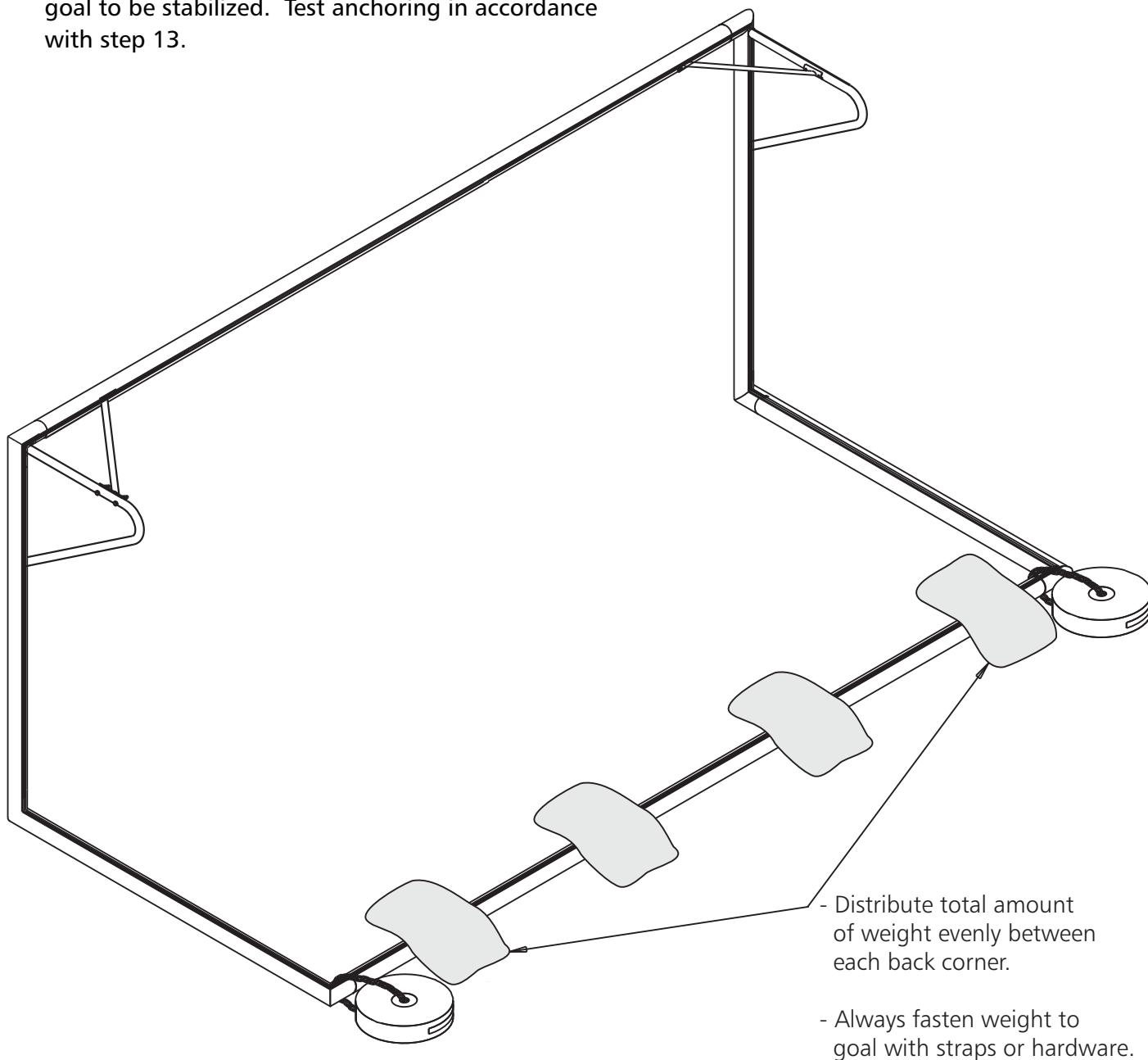
11. After concrete has fully cured, attach chain leashes to ground anchors. Be sure to apply a liberal amount of anti-seize on bolt threads before installing into anchors. With goal leashed to all four anchors, test in accordance with step 13.



**\*\*\*CAUTION\*\*\***

**This goal has been designed to be used for the game of soccer only. Goal posts must be anchored AT ALL TIMES and shall be secured against overturning. Do not climb on the net or goal framework at anytime! All fastenings must be checked to insure they are fully tightened before and after each use of this product. Goal posts not in use must be disassembled and properly stored in a safe, secure area. (See included Guidelines for Moveable Soccer Goal Safety.) Assembled goal posts should not be left unattended. Remove nets when goals are not in use. Do not use this equipment during the threat of high winds. Goal posts should be checked for safety before and after each use. All warning and safety labels included with this product must be visible at all times. Any modifications to this or any Kwik Goal product will void any and all warranties.**

12. The ground anchor and chain leash system supplied is the recommended and the safest method of anchoring your goal. However, counterbalance weight may be used as a temporary anchoring system. A minimum of 195 lbs. must be placed on the back bottom bar for the goal to be stabilized. Test anchoring in accordance with step 13.



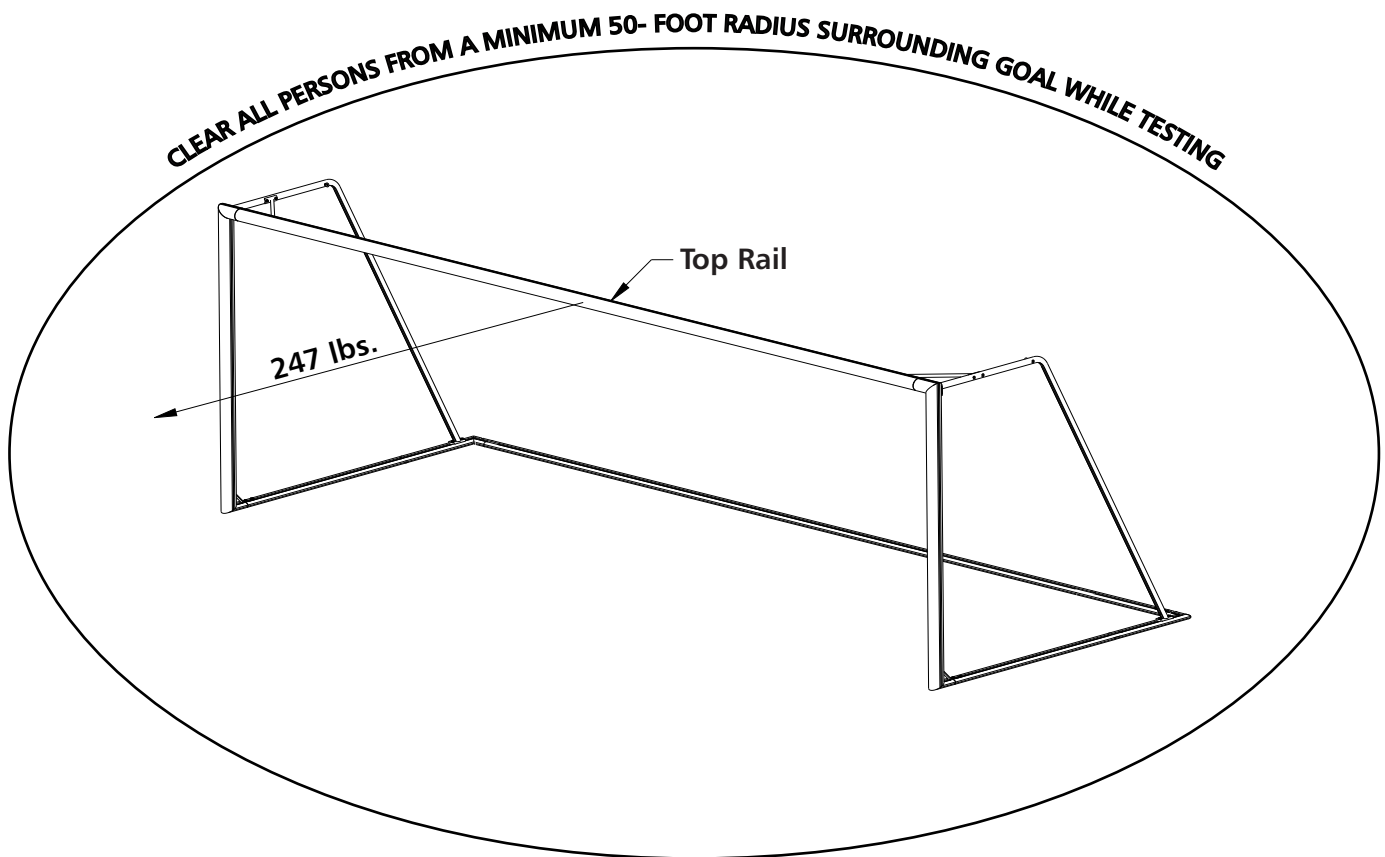
**\*\*\*CAUTION\*\*\***

**This goal has been designed to be used for the game of soccer only. Goal posts must be anchored AT ALL TIMES and shall be secured against overturning. Do not climb on the net or goal framework at anytime! All fastenings must be checked to insure they are fully tightened before and after each use of this product. Goal posts not in use must be disassembled and properly stored in a safe, secure area. (See included Guidelines for Moveable Soccer Goal Safety.) Assembled goal posts should not be left unattended. Remove nets when goals are not in use. Do not use this equipment during the threat of high winds. Goal posts should be checked for safety before and after each use. All warning and safety labels included with this product must be visible at all times. Any modifications to this or any Kwik Goal product will void any and all warranties.**

13. Be sure goal is anchored properly and test as instructed below.

### ANCHOR TEST

1. Clear all persons from a minimum 50 foot radius surrounding the goal.
2. Verify goal is attached to anchors according to instruction.
3. Apply a horizontal pull force of 247 lbs. to the center of the rail for 60 - 70 seconds. Full safety precautions must be taken while performing test.
4. If goal overturns during application of force or does not return to an upright position after removing force, an alternate anchoring system must be used

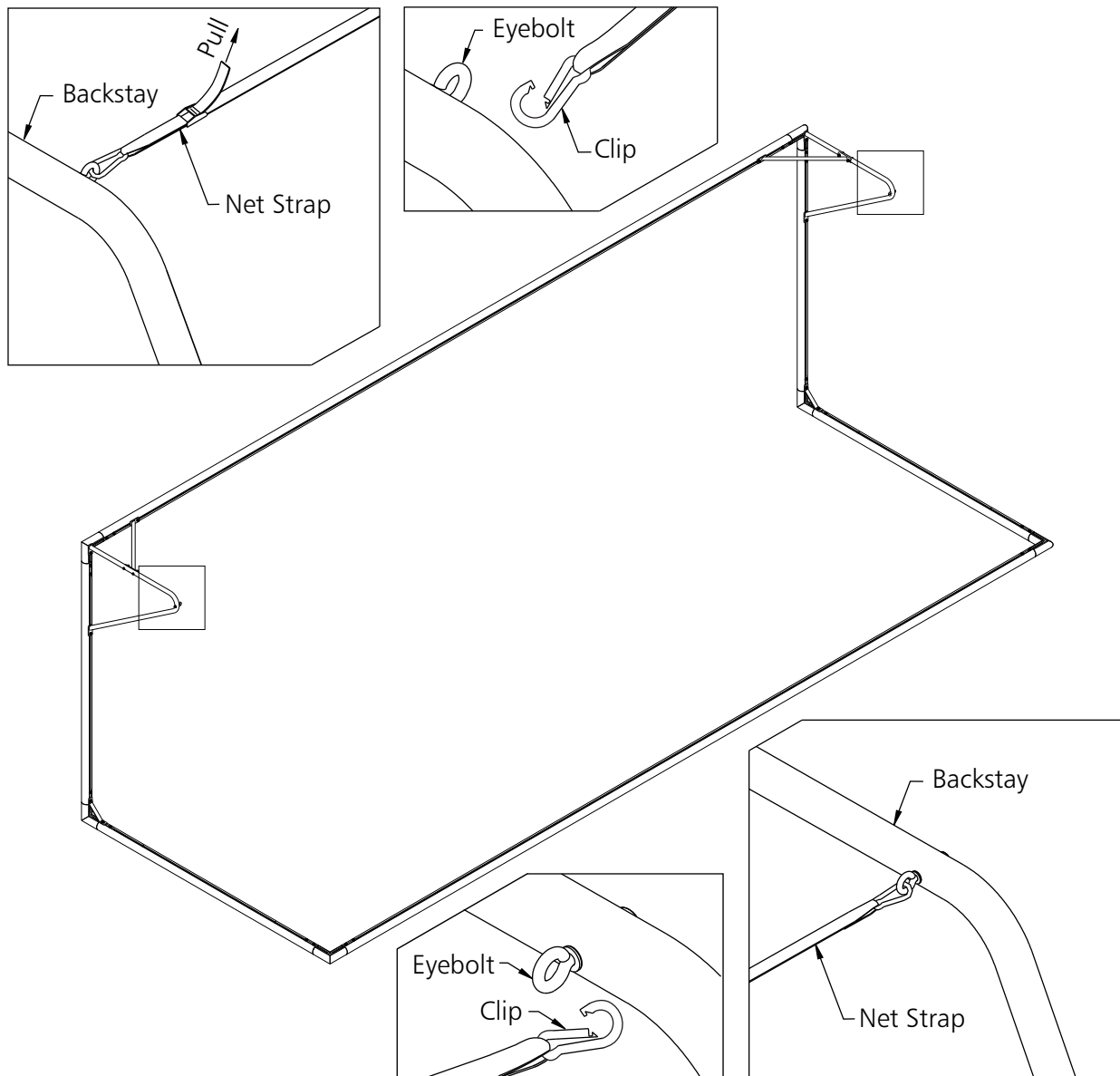


#### \*\*\*CAUTION\*\*\*

**This goal has been designed to be used for the game of soccer only. Goal posts must be anchored AT ALL TIMES and shall be secured against overturning. Do not climb on the net or goal framework at anytime!**

**All fastenings must be checked to insure they are fully tightened before and after each use of this product. Goal posts not in use must be disassembled and properly stored in a safe, secure area. (See included Guidelines for Moveable Soccer Goal Safety.) Assembled goal posts should not be left unattended. Remove nets when goals are not in use. Do not use this equipment during the threat of high winds. Goal posts should be checked for safety before and after each use. All warning and safety labels included with this product must be visible at all times. Any modifications to this or any Kwik Goal product will void any and all warranties.**

14. Attach net strap to the eyebolts in the backstays as shown. Pull net strap tight as shown. **(NOTE: Do not over tighten net strap. Over tightening may damage goal.)** Excess strap can be trimmed to length. Leave 12" to 18" of excess strap for ease of removal and re-installation. *(Note: To keep end of adjustable strap from fraying, ends can be melted after being cut.)* Tie all excess strap to itself to prevent from hanging in goal area.

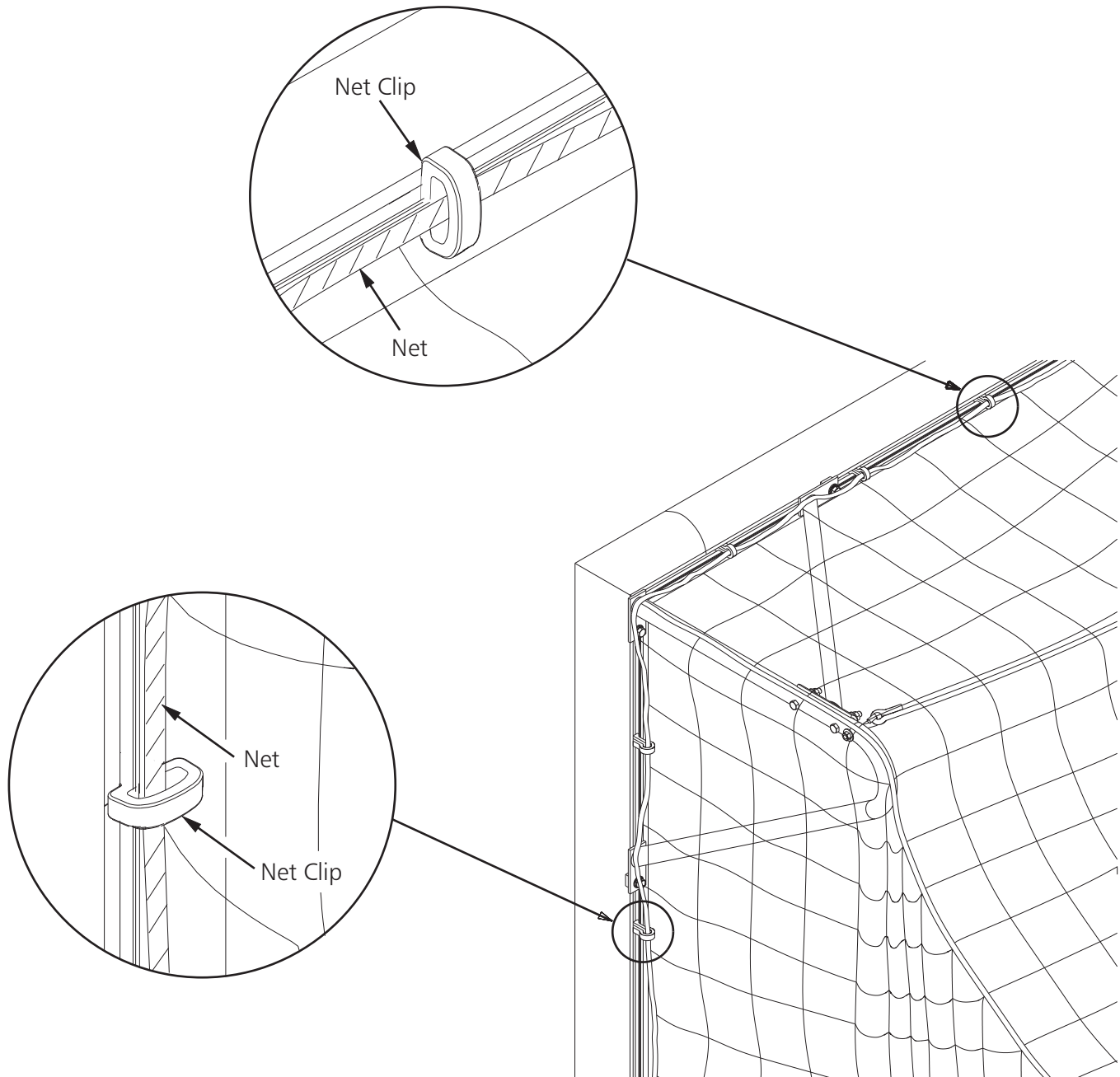


**\*\*\*CAUTION\*\*\***

**This goal has been designed to be used for the game of soccer only. Goal posts must be anchored AT ALL TIMES and shall be secured against overturning. Do not climb on the net or goal framework at anytime! All fastenings must be checked to insure they are fully tightened before and after each use of this product. Goal posts not in use must be disassembled and properly stored in a safe, secure area. (See included Guidelines for Moveable Soccer Goal Safety.) Assembled goal posts should not be left unattended. Remove nets when goals are not in use. Do not use this equipment during the threat of high winds. Goal posts should be checked for safety before and after each use. All warning and safety labels included with this product must be visible at all times. Any modifications to this or any Kwik Goal product will void any and all warranties.**

15. To attach net to goal, place base of net clip into channel and turn 90 degrees to lock into place.

**CAUTION: DO NOT ATTEMPT TO CLIMB ON GOAL WHILE ATTACHING NET.**  
**CAUTION: GOALS MUST BE PROPERLY ANCHORED OR STORED AT ALL TIMES.**



**\*\*\*CAUTION\*\*\***

**This goal has been designed to be used for the game of soccer only. Goal posts must be anchored AT ALL TIMES and shall be secured against overturning. Do not climb on the net or goal framework at anytime!**

**All fastenings must be checked to insure they are fully tightened before and after each use of this product. Goal posts not in use must be disassembled and properly stored in a safe, secure area. (See included Guidelines for Moveable Soccer Goal Safety.) Assembled goal posts should not be left unattended. Remove nets when goals are not in use. Do not use this equipment during the threat of high winds. Goal posts should be checked for safety before and after each use. All warning and safety labels included with this product must be visible at all times. Any modifications to this or any Kwik Goal product will void any and all warranties.**