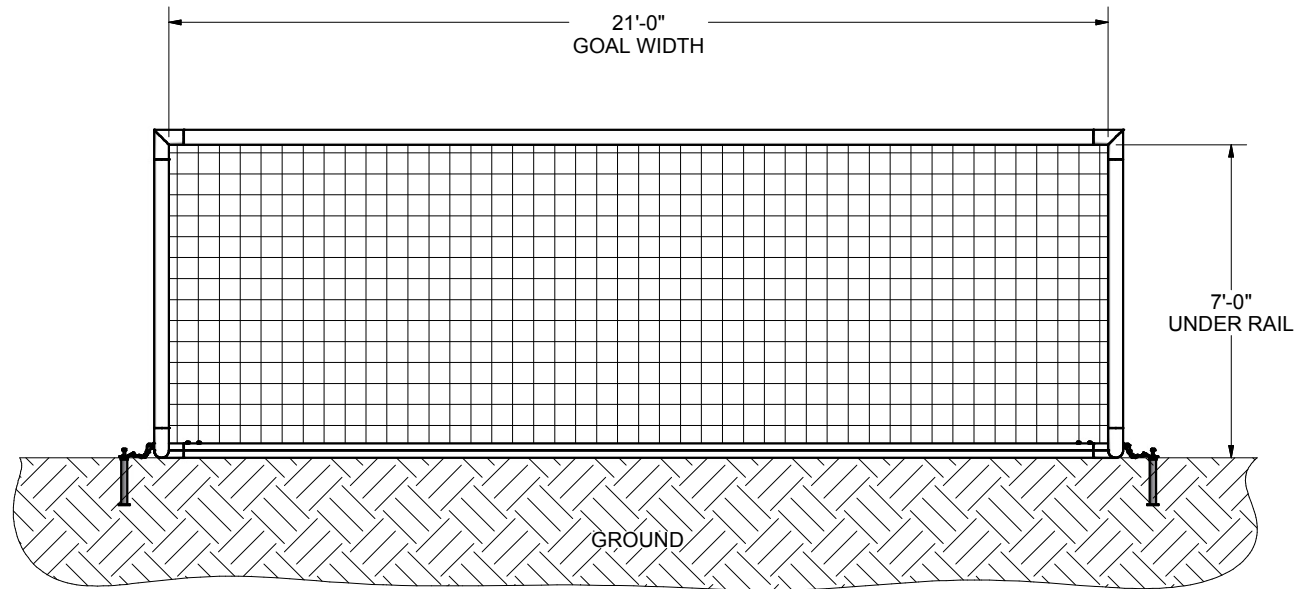
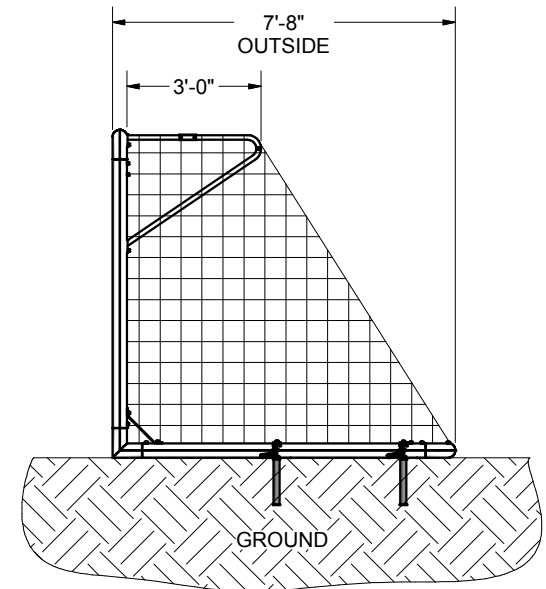


FRONT VIEW



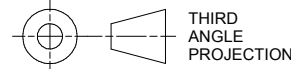
SIDE VIEW



FEATURES:

- 1) ALUMINUM GOAL FRAME AND BACKDROPS
- 2) FINISH: WHITE POWDER COAT
- 3) INCLUDED:
 - SEMI PERMANENT GROUND ANCHORS
 - 3 mm, WHITE NET
 - KWIK LOCK® NET CLIPS
- 4) ASSEMBLED GOAL WEIGHT: 181 LBS.
- 5) EXCEEDS:
 - ASTM F2056-09 STANDARDS
 - ASTM F2673-08 STANDARDS

Finish Info.



THIRD
ANGLE
PROJECTION



140 Pacific Drive
Quakertown,
Pa. 18951

DIMENSIONS ARE IN INCHES
UNLESS OTHERWISE SPECIFIED

This item is the **exclusive**
property of **KWIK GOAL LTD.**
Reproduction or duplication
without the express written
consent of **KWIK GOAL LTD.**
is **strictly forbidden.**

Approved By:

Date:

Drawn By: kfrisch

Date: 6/7/2011

Sheet: 1 of 4

Revision #: -

Cad File: 2B3805.idw

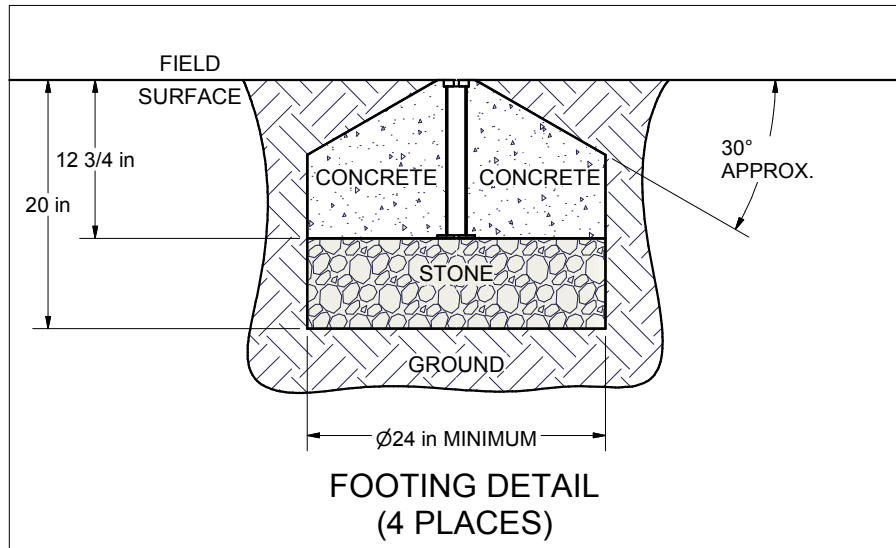
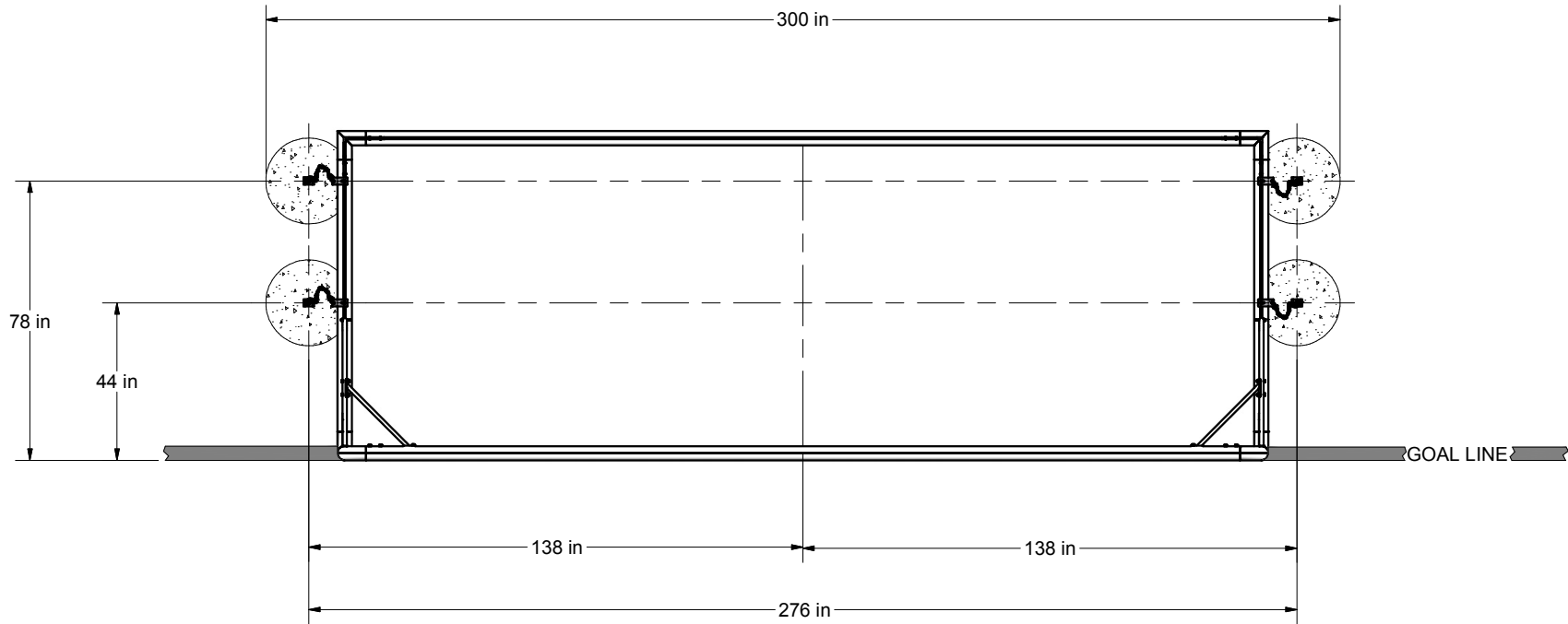
Part #:

2B3805

Desc:

7' X 21' FUSION GOAL

OVERHEAD VIEW

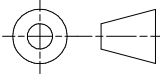



NOTES:

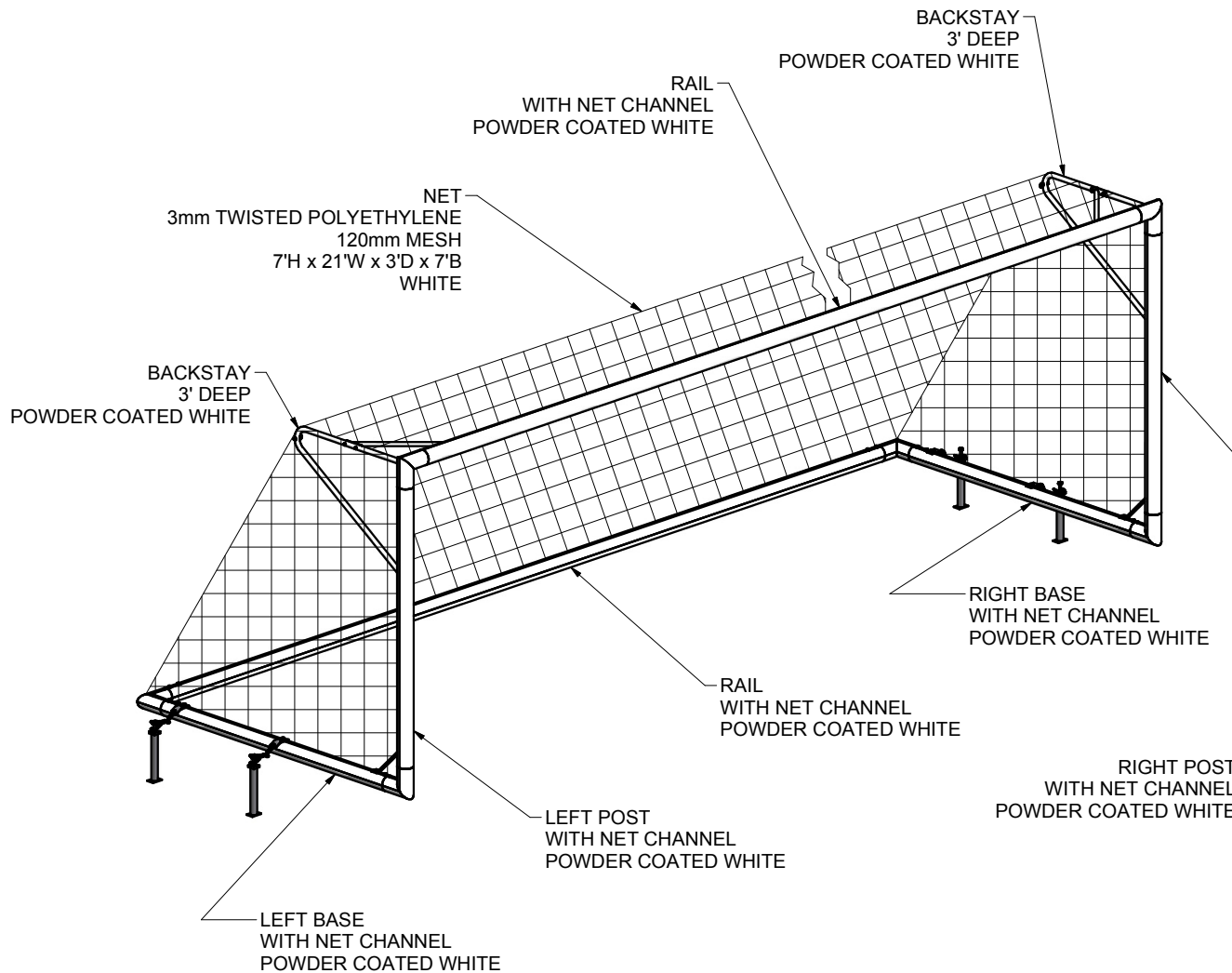
- 1) DIMENSIONS ARE FOR PLANNING PURPOSES. INSTALLATION MUST BE IN ACCORDANCE WITH INSTALLATION INSTRUCTIONS.

MATERIAL REQUIRED, BUT **NOT** SUPPLIED

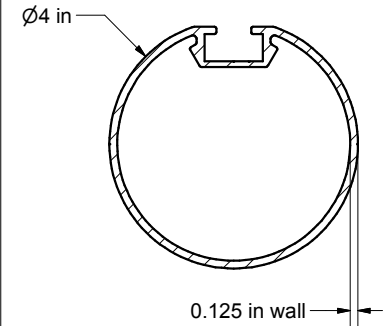
- 0.5 cubic yard - CONCRETE
 - 0.3 cubic yard - CLEAN STONE (1/4" - 3/4")
- ABOVE AMOUNTS ARE PER GOAL INSTALLATION

 <p>THIRD ANGLE PROJECTION</p>	 <p>140 Pacific Drive Quakertown, Pa. 18951</p>	
	<p>DIMENSIONS ARE IN INCHES UNLESS OTHERWISE SPECIFIED</p>	<p>Approved By:</p> <p>Date:</p>
<p>This item is the exclusive property of KWIK GOAL LTD. Reproduction or duplication without the express written consent of KWIK GOAL LTD. is strictly forbidden.</p>	<p>Drawn By: kfrisch</p> <p>Date: 6/7/2011</p> <p>Sheet: 2 of 4</p> <p>Revision #: -</p> <p>Cad File: 2B3805.idw</p>	<p>Desc:</p> <p>7' X 21' FUSION GOAL</p>

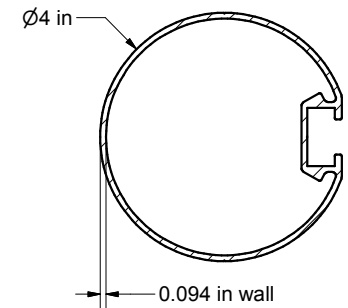
Finish Info.



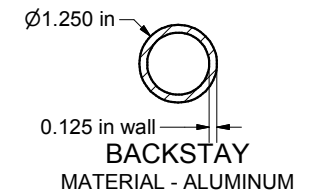
MATERIAL DETAILS



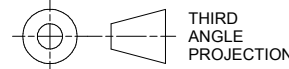
POSTS, BASES & CORNERS
MATERIAL - ALUMINUM



RAILS
MATERIAL - ALUMINUM



Finish Info.



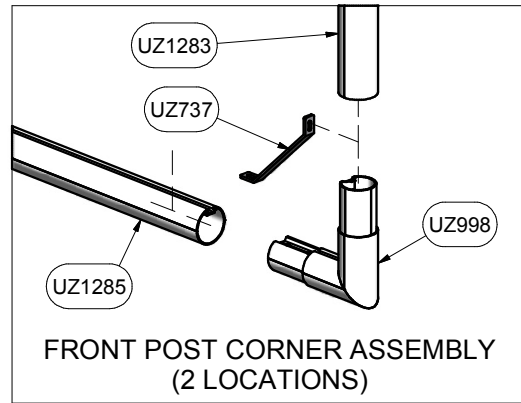
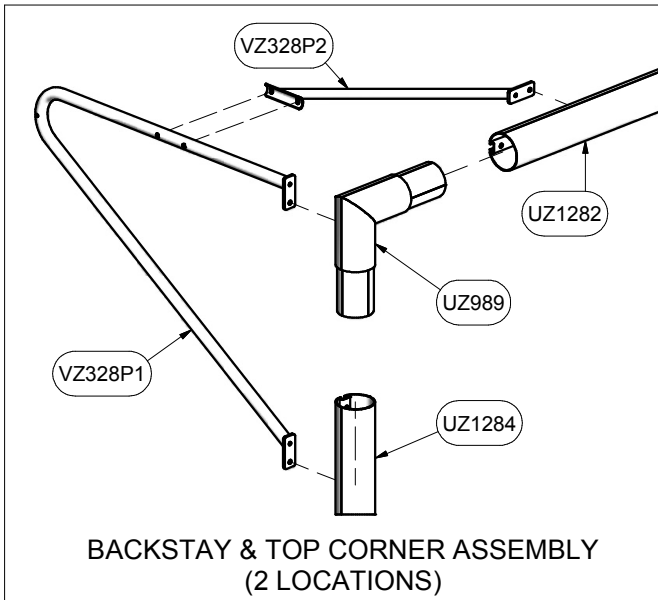
THIRD
ANGLE
PROJECTION



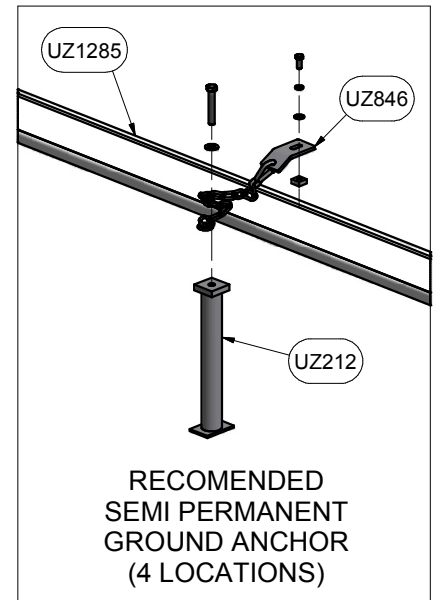
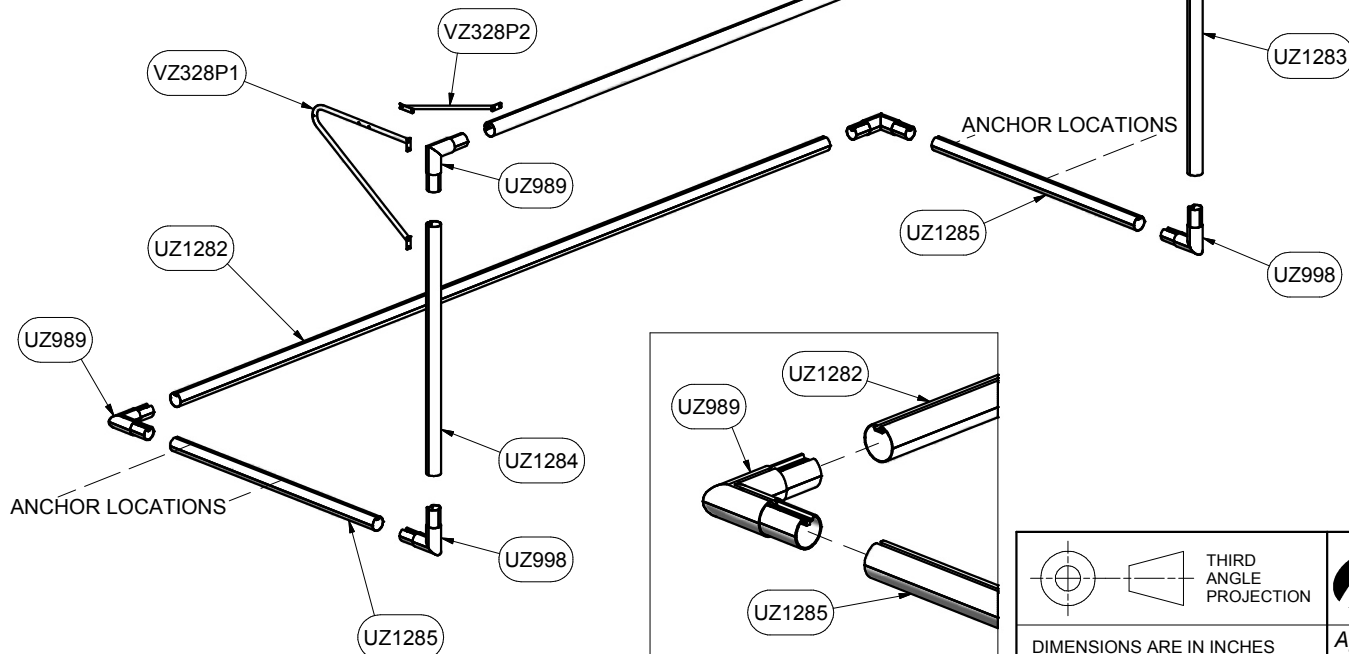
DIMENSIONS ARE IN INCHES
UNLESS OTHERWISE SPECIFIED

This item is the **exclusive** property of **KWIK GOAL LTD.** Reproduction or duplication **without** the express written consent of **KWIK GOAL LTD.** is **strictly forbidden.**

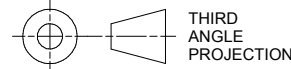
Approved By:	Part #: 2B3805
Date:	
Drawn By: kfrisch	Desc: 7' X 21' FUSION GOAL
Date: 6/7/2011	
Sheet: 3 of 4	
Revision #: -	
Cad File: 2B3805.idw	



Parts List		
Part #	Qty	Description
UZ998	2	POST CORNER, 4 RND V-TRACK2
UZ1285	2	2B3805 BASE
UZ1283	1	2B3805 RIGHT POST
UZ989	4	RAIL CORNER, 4 RND V-TRACK2
UZ1282	2	RAIL, 4 RND V-TRACK2
UZ1284	1	2B3805 LEFT POST
UZ212	4	GROUND ANCHOR ASSEMBLY
UZ737	2	Front Post Brace
UZ846	4	Chain Assembly, Grnd Anchor
3B2621	1	NET, 3MM ROPE, 120MM MESH
VZ328P2	2	BACKSTAY BRACE
VZ328P1	2	BACKSTAY



Finish Info.



DIMENSIONS ARE IN INCHES UNLESS OTHERWISE SPECIFIED

This item is the **exclusive** property of **KWIK GOAL LTD.** Reproduction or duplication **without** the express written consent of **KWIK GOAL LTD.** is **strictly forbidden.**



Approved By:
Date:
Drawn By: kfrisch
Date: 6/7/2011
Sheet: 4 of 4
Revision #: -
Cad File: 2B3805.idw

Part #:
2B3805
Desc:
7' X 21' FUSION GOAL