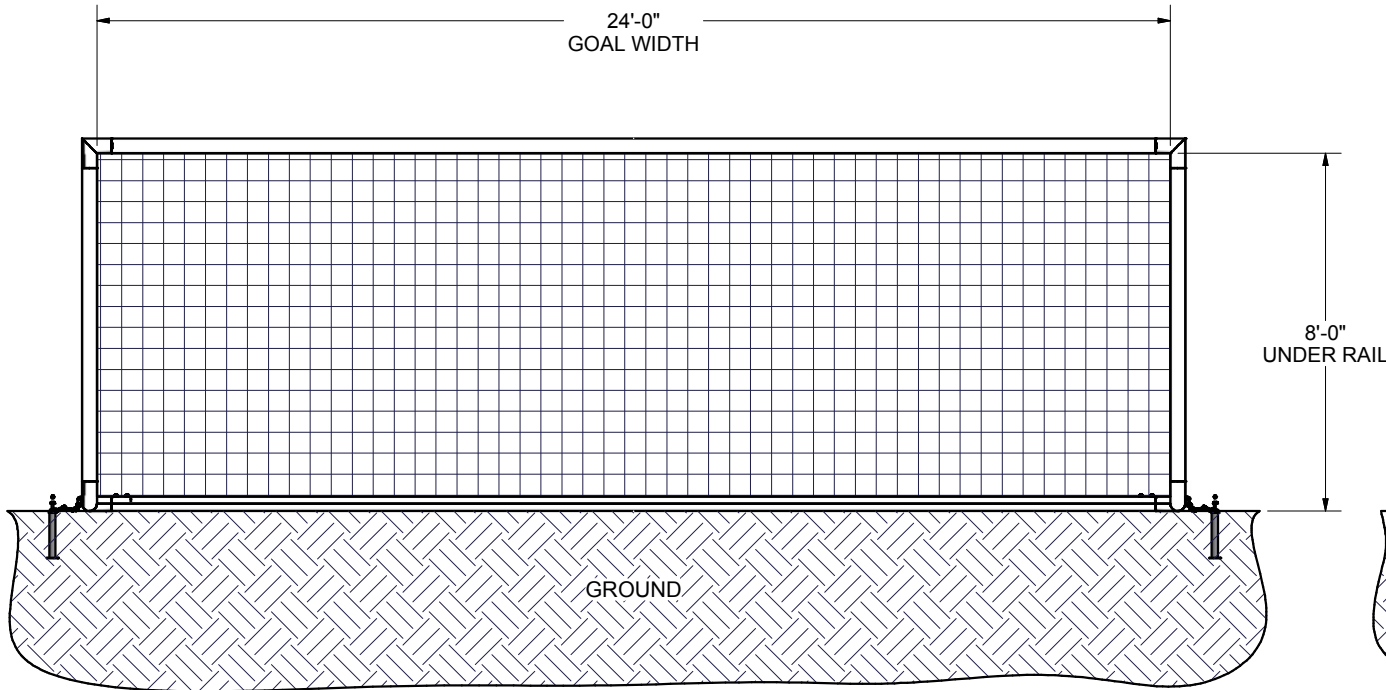
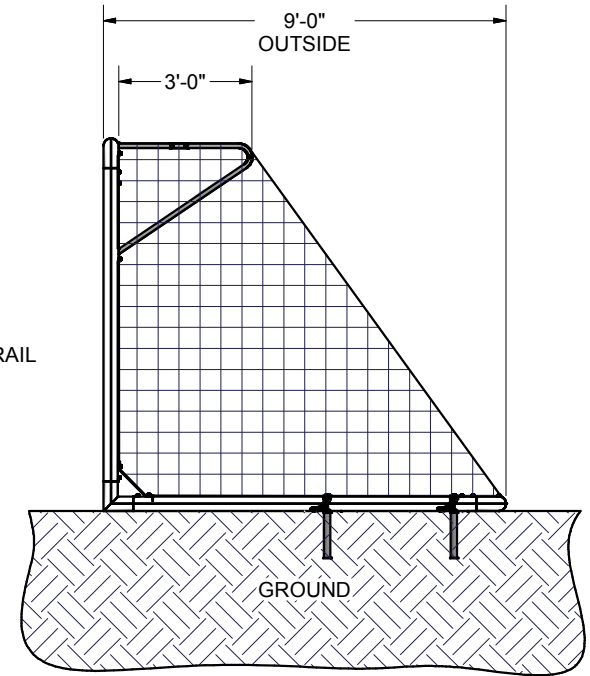


FRONT VIEW



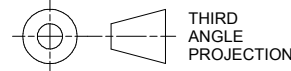
SIDE VIEW



FEATURES:

- 1) ALUMINUM GOAL FRAME AND BACKDROPS
- 2) FINISH: WHITE POWDER COAT
- 3) INCLUDED:
 - SEMI PERMANENT GROUND ANCHORS
 - 3 mm, WHITE NET
 - KWIK LOCK® NET CLIPS
- 4) ASSEMBLED GOAL WEIGHT: 199 LBS.
- 5) EXCEEDS:
 - NCAA SPECIFICATIONS
 - NFSHA SPECIFICATIONS
 - ASTM F2056-00 STANDARDS

Finish Info.



DIMENSIONS ARE IN INCHES UNLESS OTHERWISE SPECIFIED

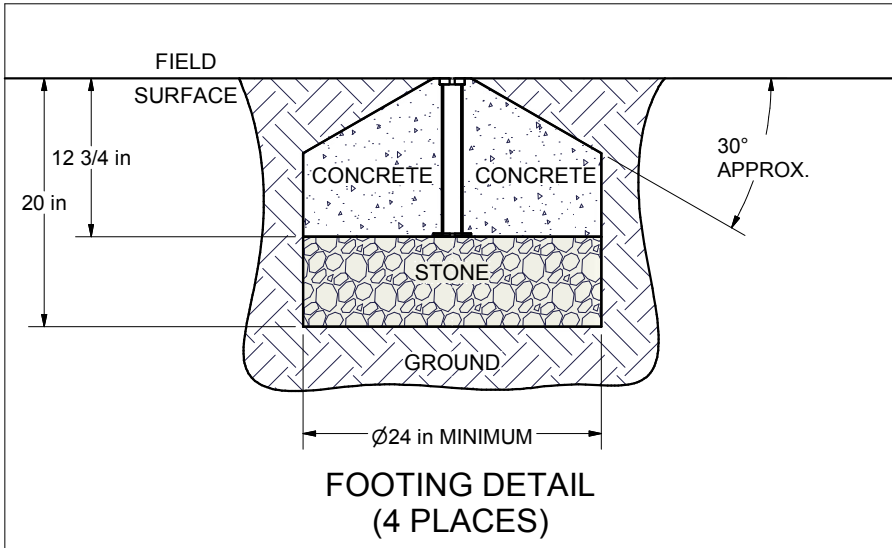
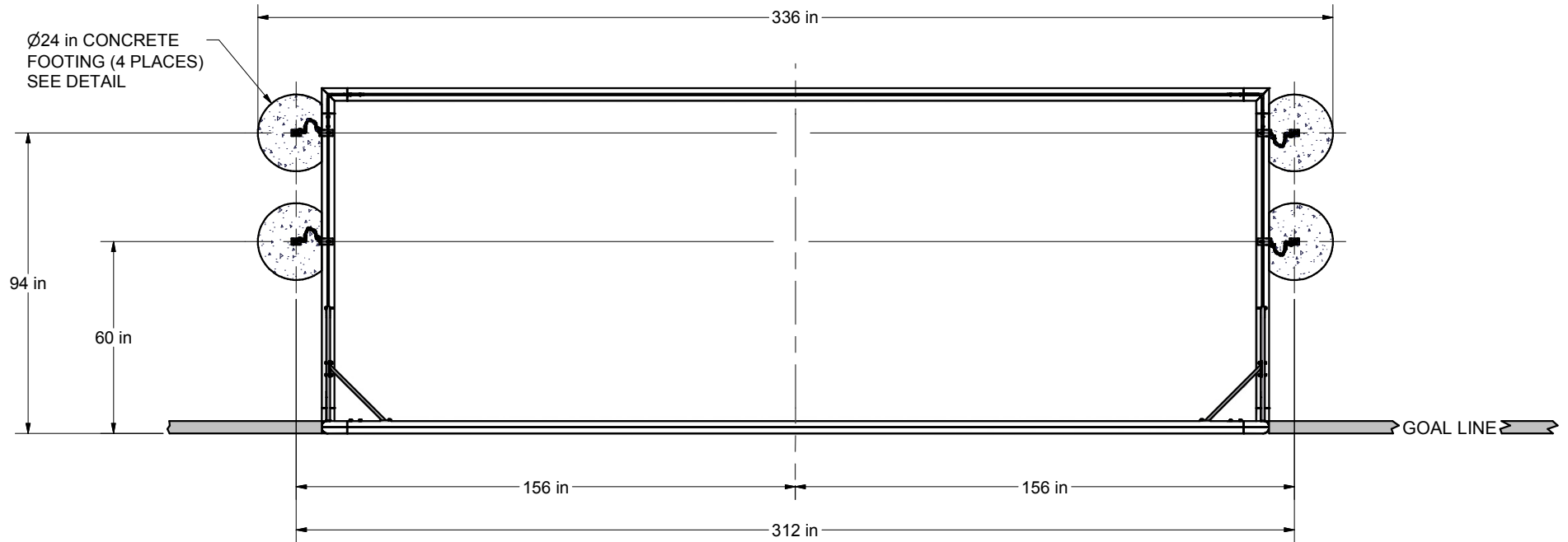
This item is the **exclusive** property of **KWIK GOAL LTD.** Reproduction or duplication **without** the express written consent of **KWIK GOAL LTD.** is **strictly forbidden.**



Approved By:
Date:
Drawn By: CSpeck
Date: 3/5/2004
Sheet: 1 of 4
Revision #: 3
Cad File: 2B3806.idw

Part #:
2B3806
Desc:
8' X 24' FUSION GOAL

OVERHEAD VIEW



**FOOTING DETAIL
(4 PLACES)**

NOTES:

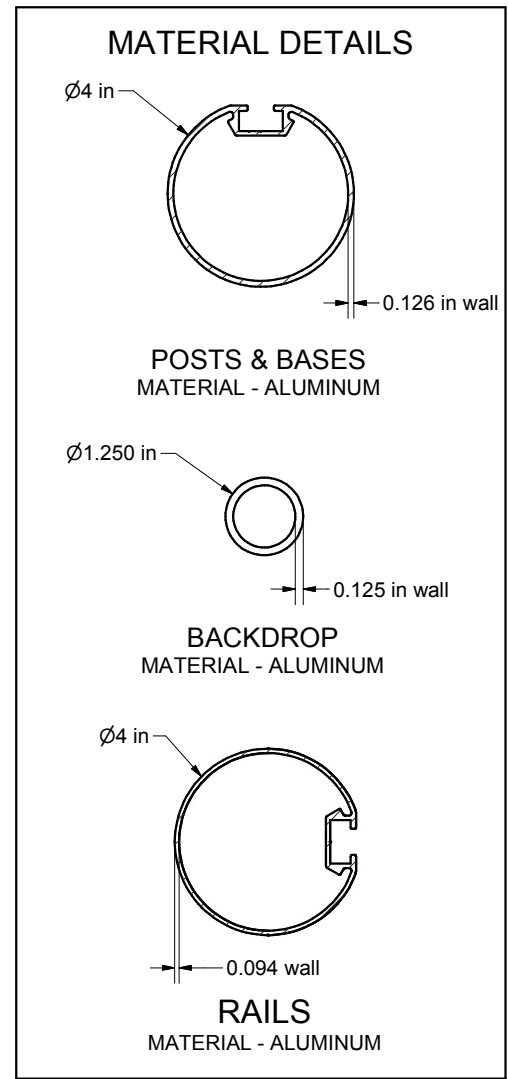
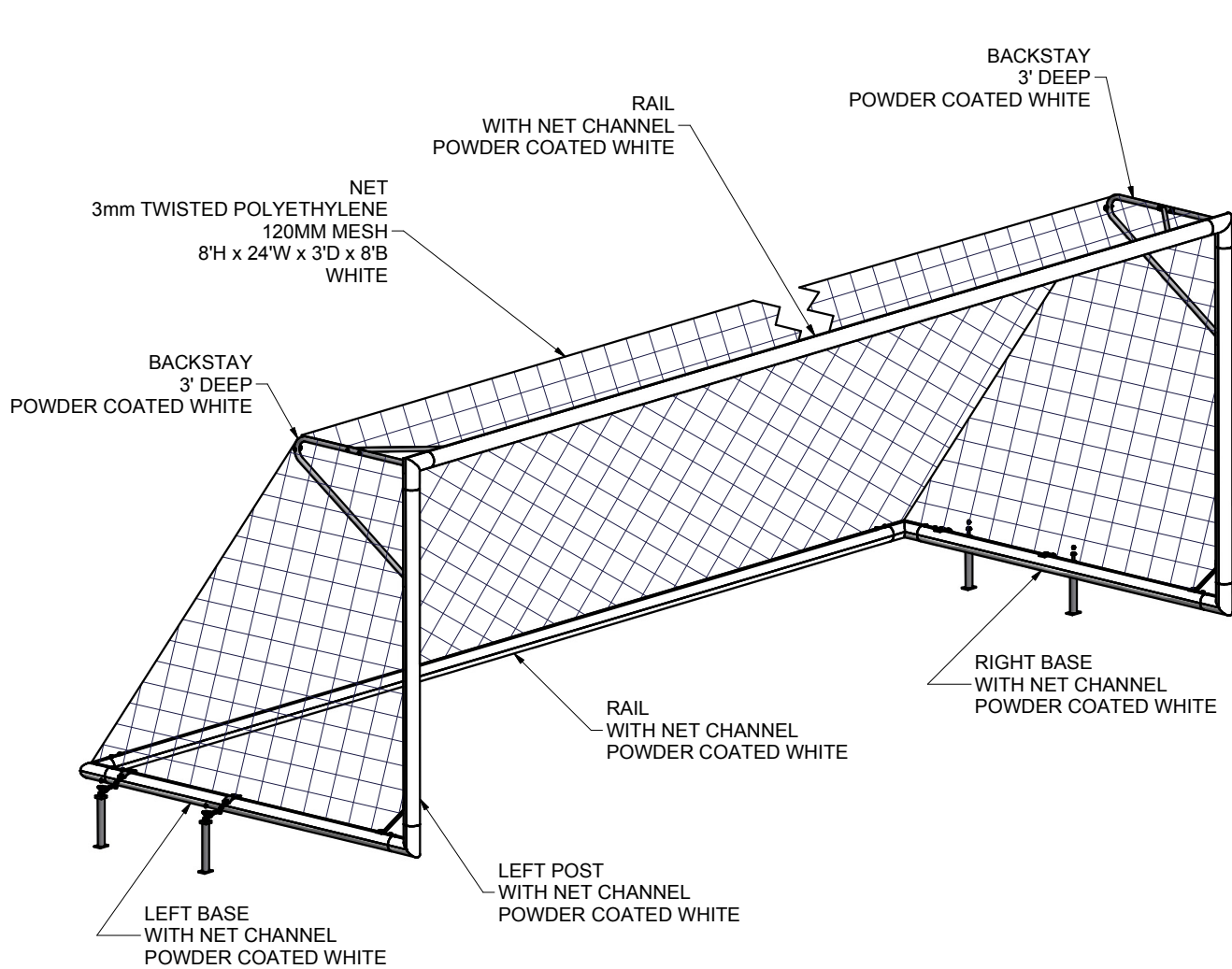
1) DIMENSIONS ARE FOR PLANNING PURPOSES. INSTALLATION MUST BE IN ACCORDANCE WITH INSTALLATION INSTRUCTIONS.

MATERIAL REQUIRED, BUT **NOT** SUPPLIED

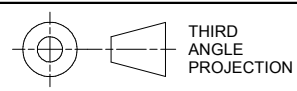
0.5 cubic yard - CONCRETE
 0.3 cubic yard - CLEAN STONE (1/4" - 3/4")
 ABOVE AMOUNTS ARE PER GOAL INSTALLATION

Finish Info.

 THIRD ANGLE PROJECTION	 140 Pacific Drive Quakertown, Pa. 18951	
	DIMENSIONS ARE IN INCHES UNLESS OTHERWISE SPECIFIED	Approved By:
This item is the exclusive property of KWIK GOAL LTD. Reproduction or duplication without the express written consent of KWIK GOAL LTD. is strictly forbidden.	Date:	2B3806
	Drawn By: CSpeck	Desc:
	Date: 3/5/2004	8' X 24' FUSION GOAL
	Sheet: 2 of 4 Revision #: 3 Cad File: 2B3806.idw	



Finish Info.



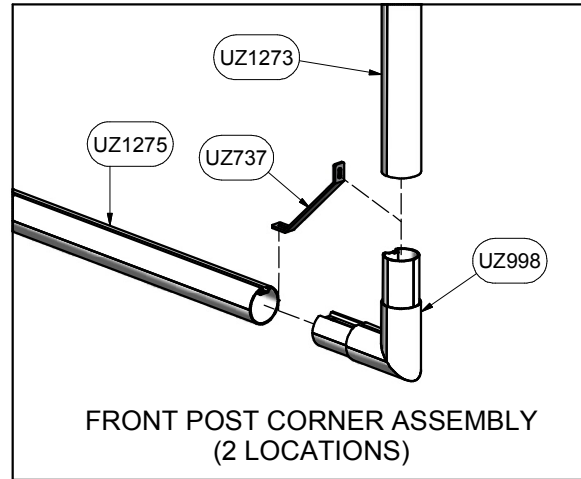
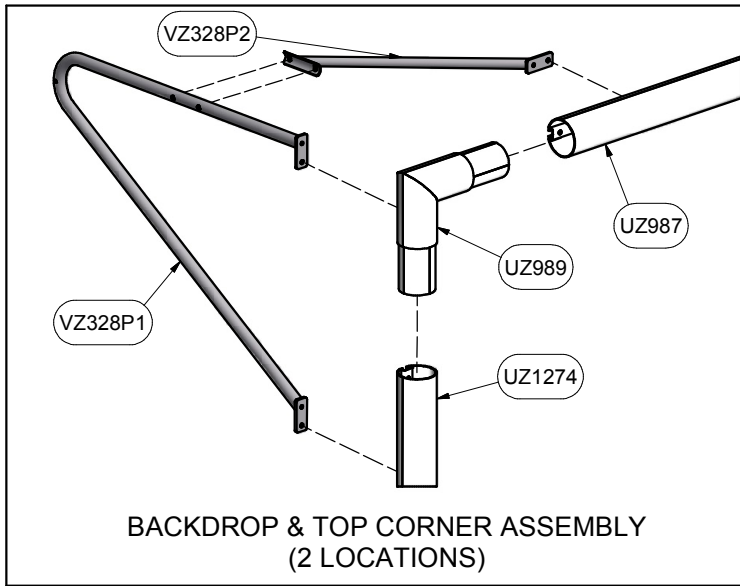
DIMENSIONS ARE IN INCHES UNLESS OTHERWISE SPECIFIED

This item is the **exclusive** property of **KWIK GOAL LTD.** Reproduction or duplication **without** the express written consent of **KWIK GOAL LTD.** is **strictly forbidden.**

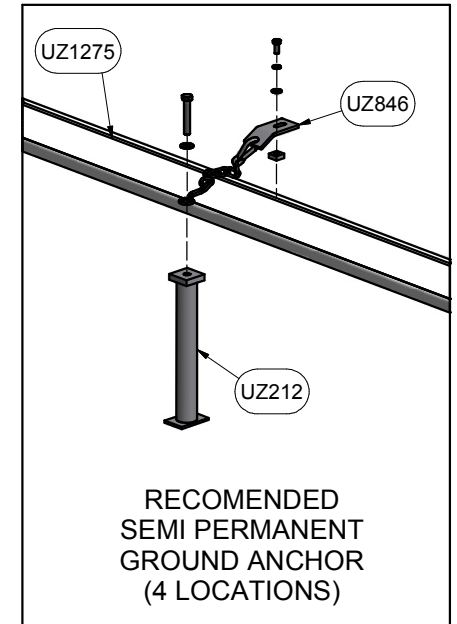
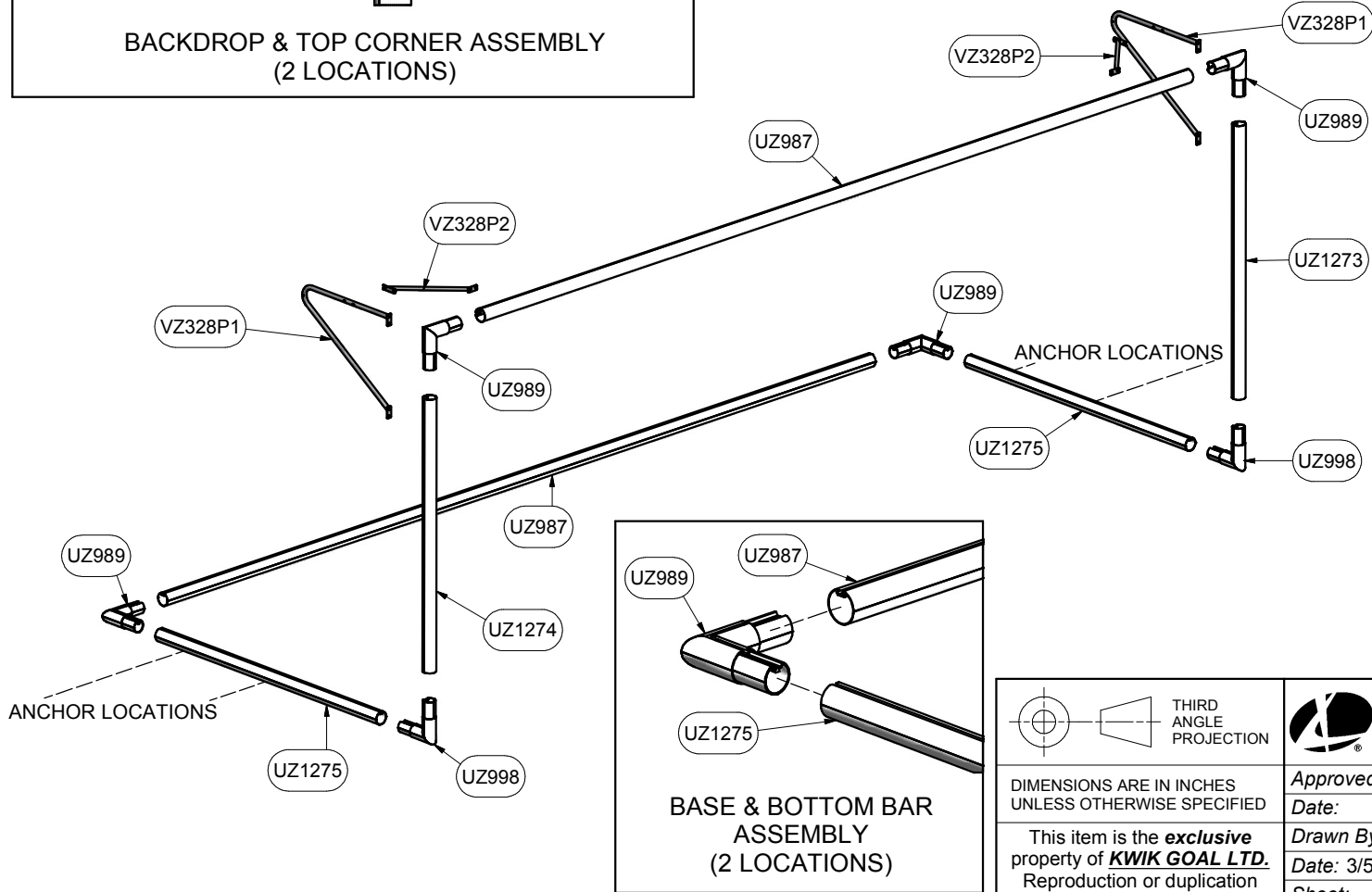


Approved By:
Date:
Drawn By: CSpeck
Date: 3/5/2004
Sheet: 3 of 4
Revision #: 3
Cad File: 2B3806.idw

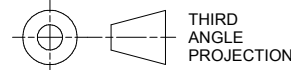
Part #: **2B3806**
Desc: 8' X 24' FUSION GOAL



Parts List		
Part #	Qty	Description
UZ212	4	GROUND ANCHOR ASSEMBLY
UZ846	4	Chain Assembly, Grnd Anchor
UZ737	2	Front Post Brace
UZ1273	1	RIGHT POST, 4 RND V-TRACK2
UZ1274	1	LEFT POST, 4 RND V-TRACK2
UZ987	2	RAIL, 4 RND V-TRACK2
UZ1275	2	BASE, 4 RND V-TRACK2
UZ989	4	RAIL CORNER, 4 RND V-TRACK2
UZ998	2	POST CORNER, 4 RND V-TRACK2
0050AW	1	NET, 3MM ROPE, 120MM MESH
3B7121	1	NET, 3MM ROPE, 120MM MESH
VZ328P2	2	BACKSTAY BRACE
VZ328P1	2	BACKSTAY



Finish Info.



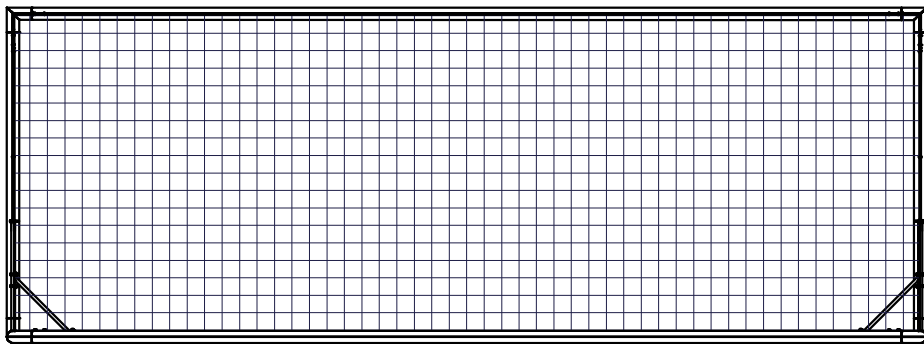
DIMENSIONS ARE IN INCHES UNLESS OTHERWISE SPECIFIED

This item is the **exclusive** property of **KWIK GOAL LTD.** Reproduction or duplication **without** the express written consent of **KWIK GOAL LTD.** is **strictly forbidden.**

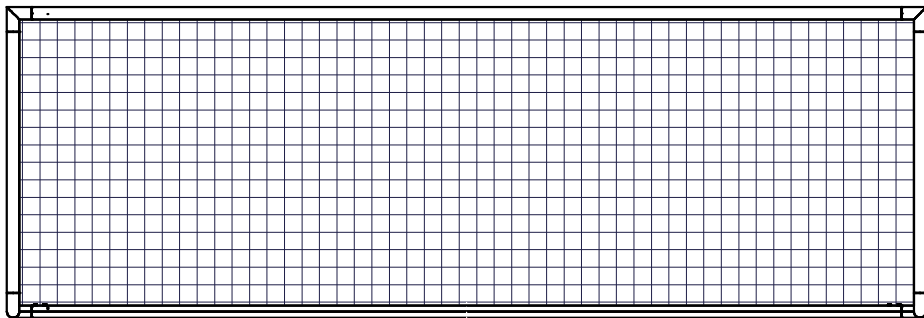


Approved By:
Date:
Drawn By: CSpeck
Date: 3/5/2004
Sheet: 4 of 4
Revision #: 3
Cad File: 2B3806.idw

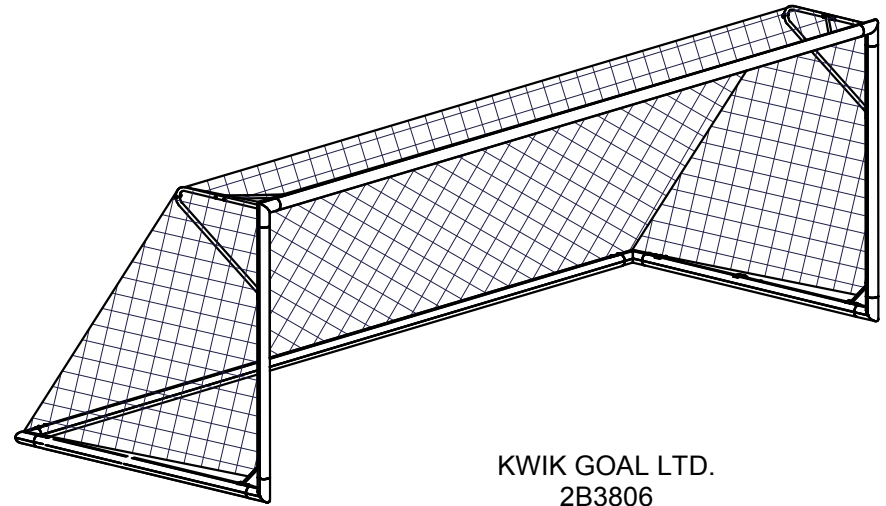
Part #:
2B3806
Desc:
8' X 24' FUSION GOAL



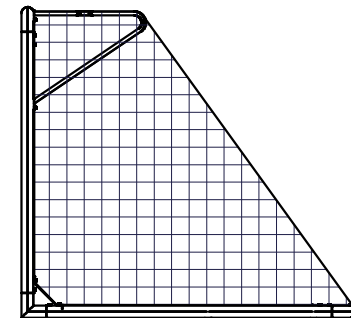
KWIK GOAL LTD.
2B3806
TOP VIEW



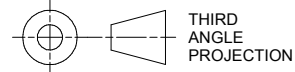
KWIK GOAL LTD.
2B3806
FRONT VIEW



KWIK GOAL LTD.
2B3806
ISOMETRIC VIEW



KWIK GOAL LTD.
2B3806
RIGHT VIEW



THIRD
ANGLE
PROJECTION



DIMENSIONS ARE IN INCHES
UNLESS OTHERWISE SPECIFIED

This item is the **exclusive**
property of **KWIK GOAL LTD.**
Reproduction or duplication
without the express written
consent of **KWIK GOAL LTD.**
is **strictly forbidden.**

Approved By:

Date:

Drawn By: CSpeck

Date: 3/5/2004

Sheet: of 4

Revision #: 3

Cad File: 2B3806.idw

Part #:

2B3806

Desc:

8' X 24' FUSION GOAL

Finish Info.