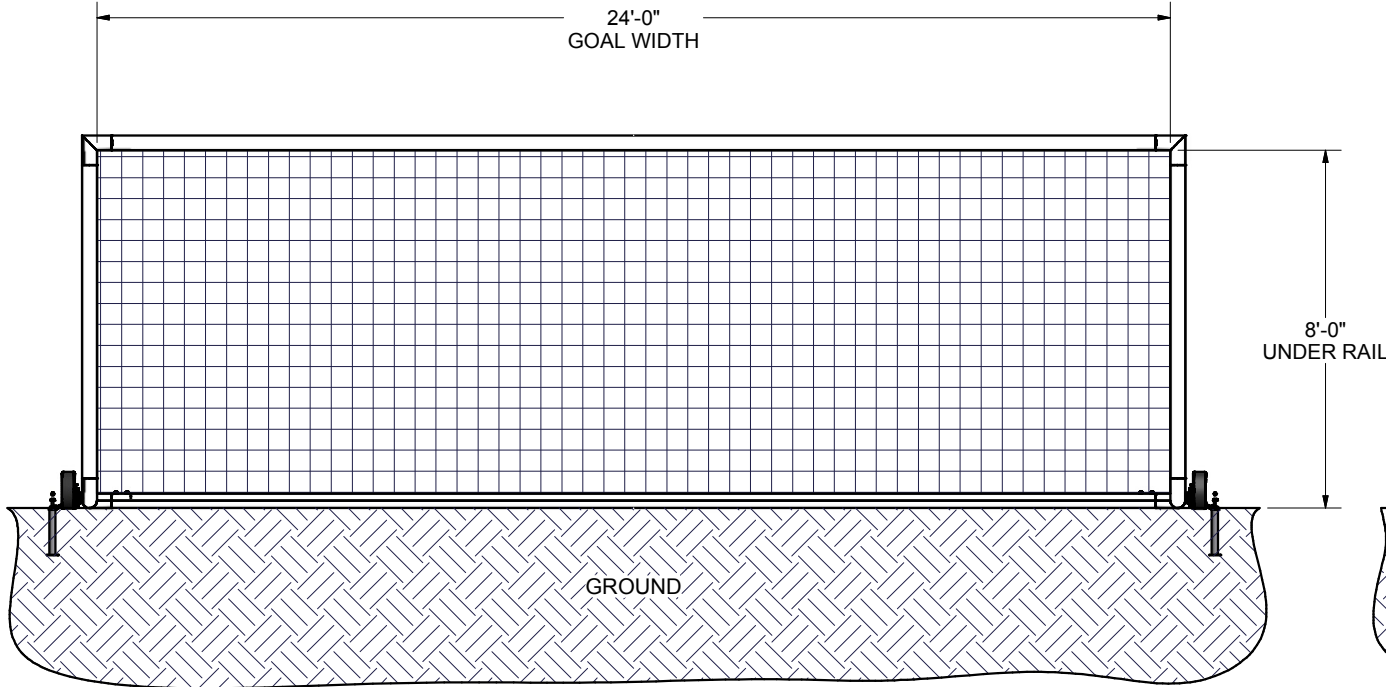
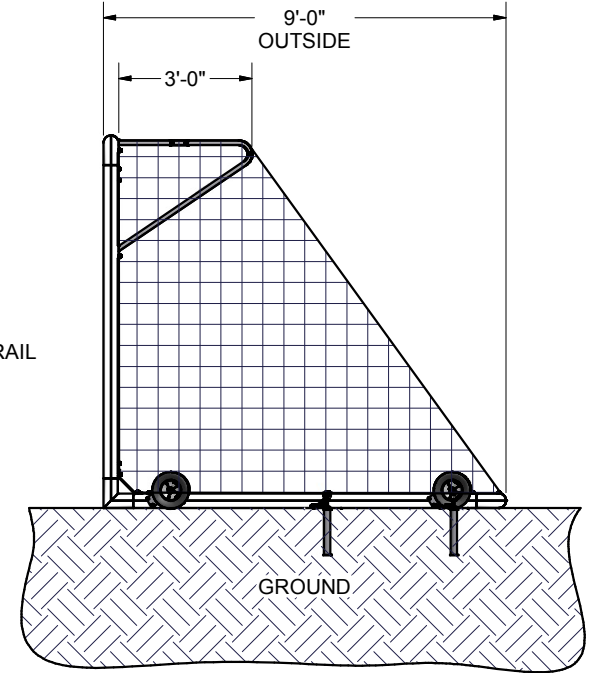


FRONT VIEW



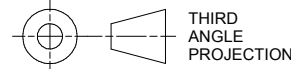
SIDE VIEW



FEATURES:

- 1) ALUMINUM GOAL FRAME AND BACKDROPS
- 2) FINISH: WHITE POWDER COAT
- 3) INCLUDED:
 - SEMI PERMANENT GROUND ANCHORS
 - 3 mm, WHITE NET
 - KWIK LOCK® NET CLIPS
 - 4 - RELIANCE TURF PRO NO-FLAT TIRES
- 4) ASSEMBLED GOAL WEIGHT: 235 LBS.
- 5) EXCEEDS:
 - NCAA SPECIFICATIONS
 - NFSHA SPECIFICATIONS
 - ASTM F2056-00 STANDARDS

Finish Info.



DIMENSIONS ARE IN INCHES
UNLESS OTHERWISE SPECIFIED

This item is the **exclusive** property of **KWIK GOAL LTD.** Reproduction or duplication **without** the express written consent of **KWIK GOAL LTD.** is **strictly forbidden.**



Approved By:

Date:

Drawn By: KFrish

Date: 11/24/2010

Sheet: 1 of 4

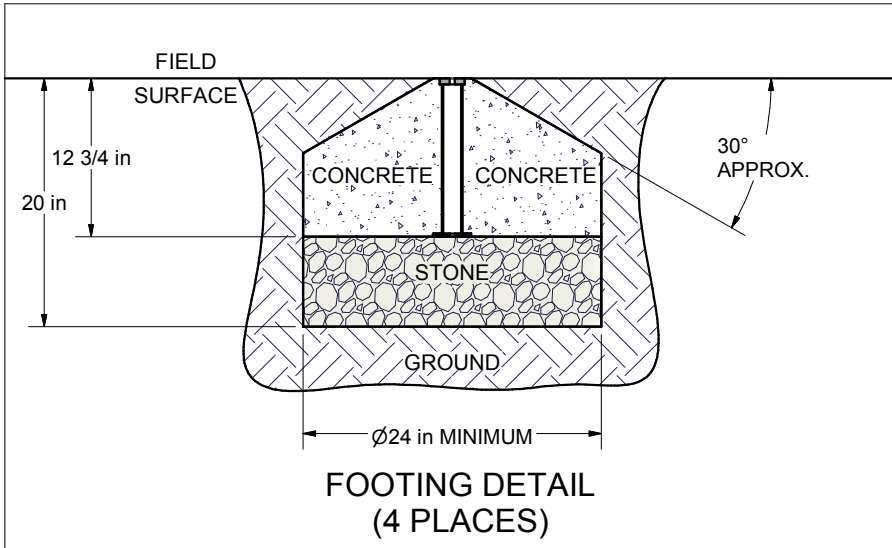
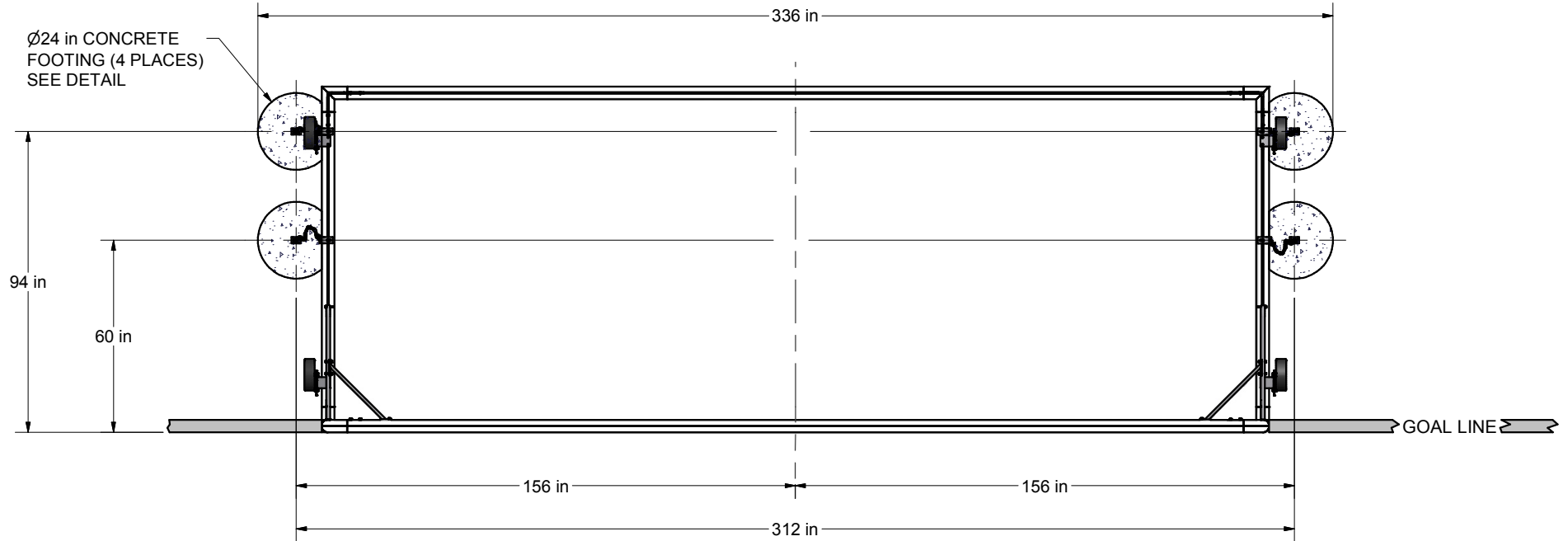
Revision #:

Cad File: 2B3806W.idw

Part #:
2B3806W

Desc:
8' X 24' FUSION GOAL
w/ WHEELS

OVERHEAD VIEW



NOTES:

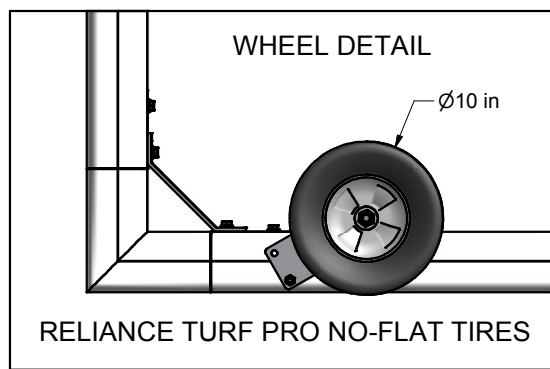
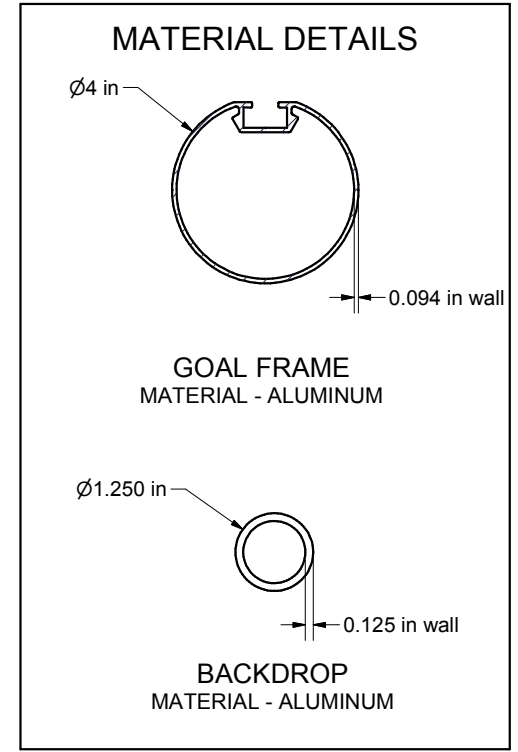
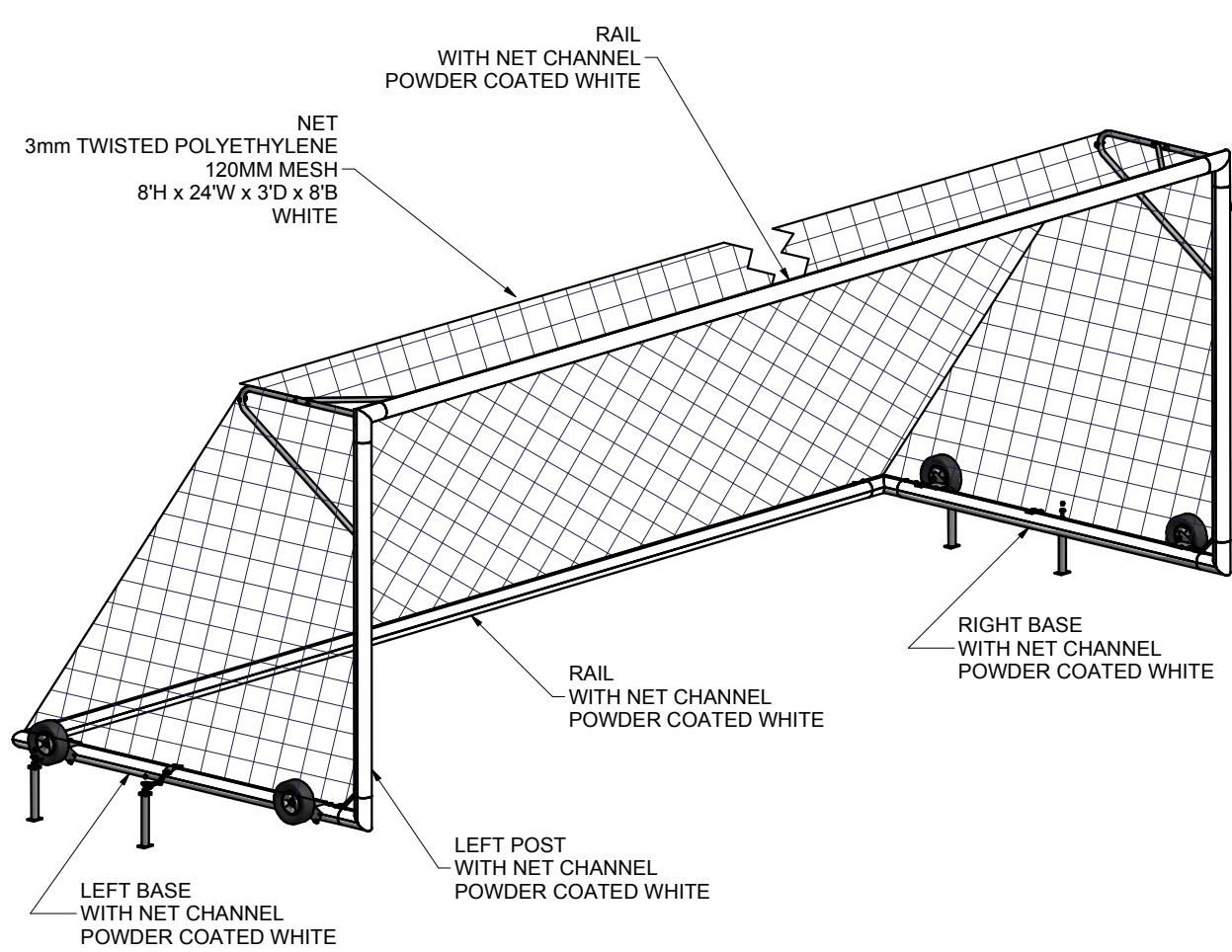
- 1) DIMENSIONS ARE FOR PLANNING PURPOSES. INSTALLATION MUST BE IN ACCORDANCE WITH INSTALLATION INSTRUCTIONS.

MATERIAL REQUIRED, BUT **NOT** SUPPLIED

- 0.5 cubic yard - CONCRETE
 - 0.3 cubic yard - CLEAN STONE (1/4" - 3/4")
- ABOVE AMOUNTS ARE PER GOAL INSTALLATION

Finish Info.

 THIRD ANGLE PROJECTION	 140 Pacific Drive Quakertown, Pa. 18951	
	DIMENSIONS ARE IN INCHES UNLESS OTHERWISE SPECIFIED	Approved By:
This item is the exclusive property of KWIK GOAL LTD. Reproduction or duplication without the express written consent of KWIK GOAL LTD. is strictly forbidden.	Date:	2B3806W
	Drawn By: KFRisch	
	Date: 11/24/2010	Desc:
	Sheet: 2 of 4	8' X 24' FUSION GOAL w/ WHEELS
Revision #:	Cad File: 2B3806W.idw	



Finish Info.

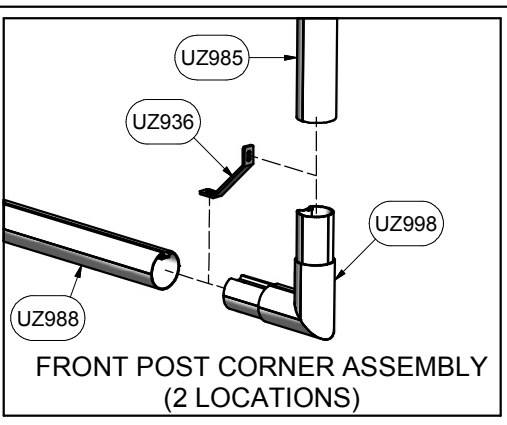
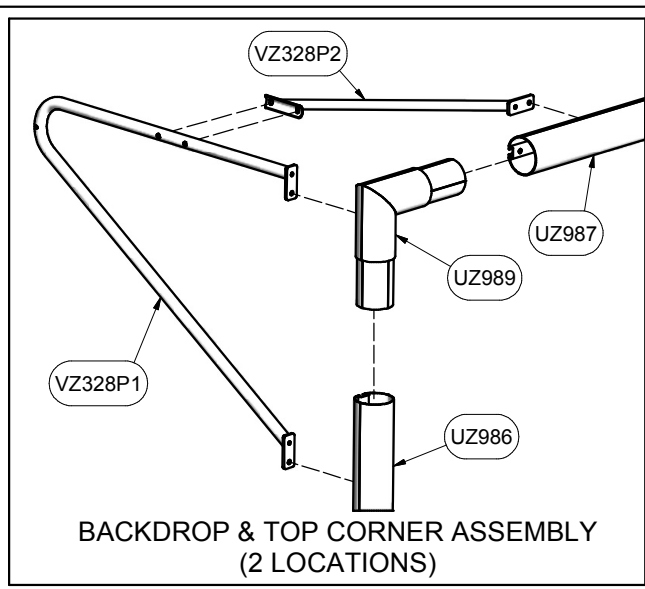
THIRD ANGLE PROJECTION

DIMENSIONS ARE IN INCHES UNLESS OTHERWISE SPECIFIED

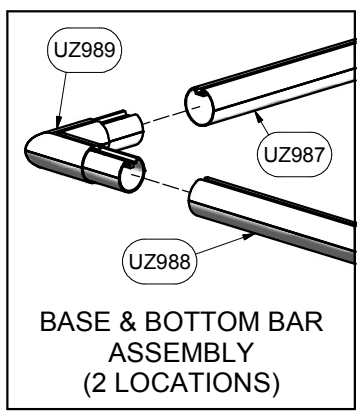
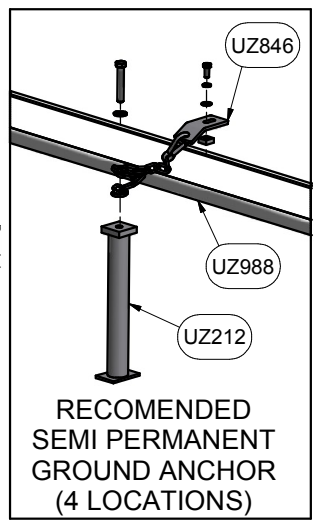
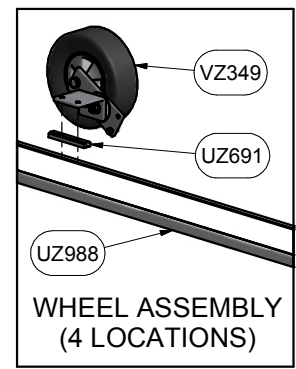
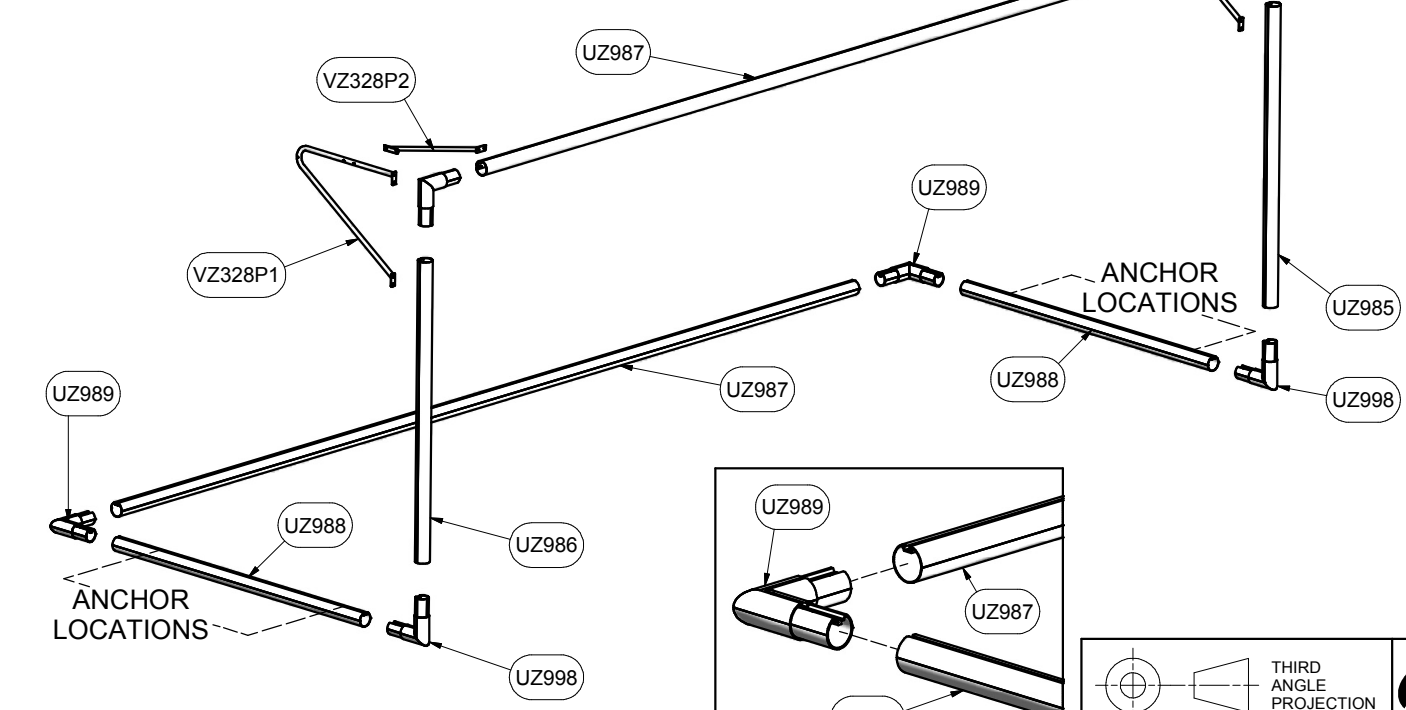
This item is the **exclusive** property of **KWIK GOAL LTD.** Reproduction or duplication **without** the express written consent of **KWIK GOAL LTD.** is **strictly forbidden.**

KWIKGOAL® 140 Pacific Drive
Quakertown, Pa. 18951

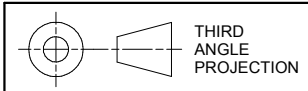
Approved By:	Part #: 2B3806W
Date:	
Drawn By: KFrish	Desc: 8' X 24' FUSION GOAL w/ WHEELS
Date: 11/24/2010	
Sheet: 3 of 4	
Revision #:	
Cad File: 2B3806W.idw	



Parts List		
Part #	Qty	Description
UZ212	4	GROUND ANCHOR ASSEMBLY
UZ846	4	Chain Assembly, Grnd Anchor
UZ936	2	POST BRACE
UZ985	1	RIGHT POST, 4 RND V-TRACK2
UZ986	1	LEFT POST, 4 RND V-TRACK2
UZ987	2	RAIL, 4 RND V-TRACK2
UZ988	2	BASE, 4 RND V-TRACK2
UZ989	4	RAIL CORNER, 4 RND V-TRACK2
UZ998	2	POST CORNER, 4 RND V-TRACK2
0050AW	1	NET, 3MM ROPE, 120MM MESH
3B7121	1	NET, 3MM ROPE, 120MM MESH
VZ328P2	2	BACKDROP BRACE
VZ328P1	2	BACKDROP
UZ691	4	Threaded Channel Spacer
VZ349	4	FLAT PROOF TIRE



Finish Info.



DIMENSIONS ARE IN INCHES
UNLESS OTHERWISE SPECIFIED

This item is the **exclusive** property of **KWIK GOAL LTD.** Reproduction or duplication **without** the express written consent of **KWIK GOAL LTD.** is **strictly forbidden.**



Approved By:
Date:
Drawn By: KFRisch
Date: 11/24/2010
Sheet: 4 of 4
Revision #:
Cad File: 2B3806W.idw

Part #:
2B3806W
Desc:
8' X 24' FUSION GOAL
w/ WHEELS